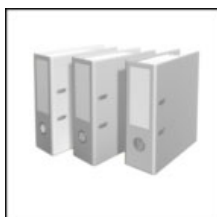


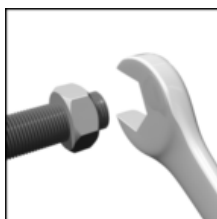
MAX GAS 350 E PAB
 MAX GAS 400 E PAB
 MAX GAS 500 E PAB
 MAX GAS 700 LN PAB

ErP 

EN
 IT
 FR
 ES
 RU



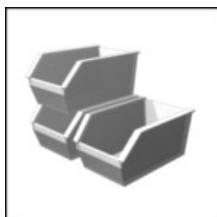
Technical data
Dati tecnici
Données techniques
Datos técnicos
Технические характеристики



Operating instructions
Istruzioni per l'uso
Notice d'emploi
Manual de uso
Руководство по эксплуатации



Electric diagrams
Schemi elettrico
Schémas électrique
Esquemas eléctrico
Электрические схемы



Spare parts list
Parti ricambi
Pièces de rechange
Piezas de recambio
Запчасти

MAX GAS 350 E PAB TC	3146296
MAX GAS 350 E PAB TL	3146297
MAX GAS 400 E PAB TC	3146300
MAX GAS 400 E PAB TL	3146301
MAX GAS 500 E PAB TC	3146304
MAX GAS 500 E PAB TL	3146305
MAX GAS 700 LN PAB TC	3146308
MAX GAS 700 LN PAB TL	3146309

Overview - Index of contents / Panoramica - Indice dei contenuti / Vue d'ensemble - Table des matières
Descripción - Sumario / Обзор - Содержание

Conformity declaration Dichiarazione di conformità Déclaration de conformité Declaración de conformidad Сертификат соответствия	EN IT FR ES RU	3
Technical data Dati tecnici Données techniques Datos técnicos Технические характеристики	EN IT FR ES RU	4
Working diagrams Campi di lavoro Domaine de fonctionnement Ámbito de funcionamiento Рабочий диапазон	EN IT FR ES RU	5
Dimensions Dimensioni Dimensions Dimensiones Размеры	EN IT FR ES RU	6
Operating instructions for authorised specialists	EN	7 - 17
Istruzione per l'uso per il personale qualificato	IT	18 - 28
Notice d'emploi pour l'installateur spécialiste	FR	29 - 39
Instrucciones de montaje para el instalador especialista	ES	40 - 50
Инструкция по эксплуатации для квалифицированных специалистов	RU	51 - 61
Electric diagrams Schemi elettrico Schémas électrique Esquemas eléctrico Электрические схемы	EN IT FR ES RU	62 - 67
Spare parts list Parti di ricambio Pièces de rechange Piezas de recambio Запчасти	EN IT FR ES RU	68 - 72

DICHIARAZIONE DI CONFORMITÀ DECLARATION OF CONFORMITY

La scrivente ditta
The writing company

ECOFLAM BRUCIATORI S.p.A.

Con sede in: Via Roma, 64 - 31023 Resana (TV) - Italy
Address: Via Roma, 64 - 31023 Resana (TV) - Italy

DICHIARA DECLARE

Sotto la propria responsabilità, che tutti i propri **bruciatori di gas della serie MAX GAS ...** sono conformi alle seguenti Direttive, Regolamenti e Normative Europee:

*Under their sole responsibility that all the **gas burners MAX GAS ... series** comply with requirements included in the following European Directives, Regulations and Standards:*

- 2014/35/UE "Direttiva Bassa Tensione" (Low Voltage Directive)
- 2014/30/UE "Direttiva EMC" (EMC Directive)
- (EU) 2016/426 "Regolamento Apparecchi a Gas" (Gas Appliance Regulation)
- 2006/42/EC "Direttiva Macchine" (Machine Directive)
- 2011/65/UE "Direttiva RoHS2" (RoHS2 Directive) + 2015/863/UE (Delegated Directive)
- EN 676: 2003 + A2: 2008 + AC: 2008
- EN 50156-1: 2015
- EN 55014-1: 2016
- EN 55014-2: 2015
- EN 60335-1: 2012 + A11: 2014
- EN 60335-2-102: 2016
- EN 61000-6-2: 2016
- EN 61000-6-3: 2007 + A1: 2010

L'organismo notificato **DVGW CERT GmbH** - Josef-Wirmer Straße 1-3 D-53123 Bonn - Deutschland è stato incaricato di effettuare la sorveglianza sui prodotti sopra citati riportati nel certificato di esame di tipo EU Nr. 0085BR0335 valevole fino al 01/08/2028.

*The notified body **DVGW CERT GmbH** - Josef-Wirmer Straße 1-3 D-53123 Bonn - Deutschland was commissioned to carry out the surveillance on the aforementioned products listed in the EU type examination certificate No. 0085BR0335 valid until 01/08/2028.*

Questo documento sostituisce integralmente tutte le analoghe dichiarazioni precedentemente emesse.
This document replaces all the analogous previously issued declarations.

Date/Authorized Signature

June, 2020 / Mr. Giuliano Conticini

Title of Signatory

Managing Director



ECOFLAM BRUCIATORI S.p.A.

Sede operativa:

Via Roma, 64 - 31023 Resana (TV), Italy
Tel.: +39 (0) 423 719 500
Fax. +39 (0) 423 719 580
www.ecoflam-burners.com

Sede legale:

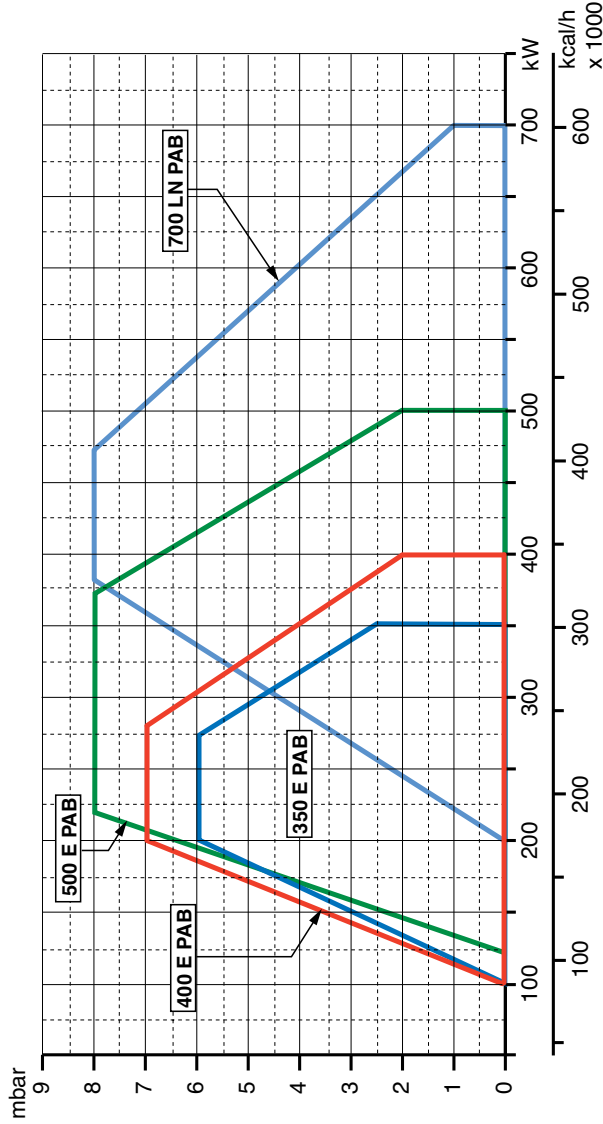
Viale Aristide Merloni, 45 - 60044 Fabriano (AN)
P.IVA e CF 00879740264

Società soggetta alla direzione e al coordinamento di Ariston Thermo S.p.A., Viale A. Merloni, 45 - 60044 Fabriano (AN) 420030052300 Rev -

Overview / Panoramica / Vue d'ensemble / Descripción / Обзор

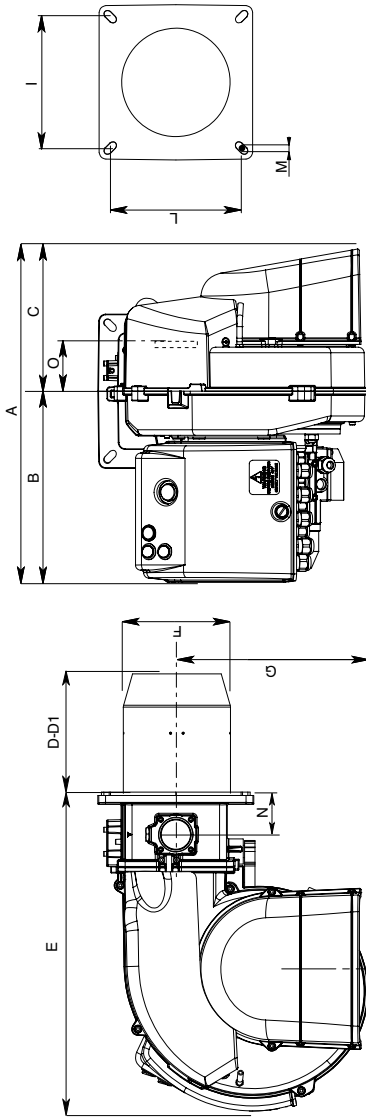
Technical data - Dati tecnici - Données techniques - Datos técnicos - Технические характеристики		MAX GAS 350 E PAB		MAX GAS 400 E PAB		MAX GAS 500 E PAB		MAX GAS 700 LN PAB				
Burner output max/min kW - kcal/h	Potenza bruciatore max/min kW - kcal/h	Puissance du brûleur max/min kW - kcal/h	Potencia del quemador máx/min kW - kcal/h	Мощность горелки макс./мин., кВт - ккал/ч	350	100	400	100	500	120	700	200
Operation	Funzionamento	Fonctionnement	Funcionamiento	Модификация	301.000	86.000	344.000	86.000	430.000	103.180	602.000	172.000
Fuel	Combustibile	Fuel	Combustible	Топливо	Natural Gas (L.C.V. 8.570 kcal/Nm ³), LPG (L.C.V. 22.260 kcal/Nm ³) (G20) Hu = 10,35 kWh/m ³ - (G25) Hu = 8,83 kWh/m ³ (G31) Hu = 25,89 kWh/m ³							
Emission class	Classe di emissione	Classe d'émission	Tipo de emisión	Класс выделения загрязняющих веществ	Standard Class 3 - GAS EN676 (<80mg/kWh)							
Control box	Apparecchiatura di controllo	Coffret de sécurité	Cajetín de seguridad	Блок управления и безопасности	SIEMENS LME 22							
Gas train	Rampa gas	Rampe gaz	Rampa de gas	Газовая рампа	GAS TRAIN TABLE - DIFFERENT MODELS / CONFIGURATIONS							
Gas connection	Allacciamento gas	Raccordement gaz	Conexión de gas	Подсоединение газа	Rp 25 1" - Rp 40 1"1/2							
Gas input pressure	Pressione di ingresso gas	Pression d'entrée du gaz	Presión de entrada del gas	Давление газа на входе	(SEE GAS TRAIN MATCHING TABLE)							
LPG input pressure	Pressione di ingresso LPG	Pression d'entrée du gaz propane	Presión de entrada LPG	Давление LPG на входе	(SEE GAS TRAIN MATCHING TABLE)							
Air regulation Air flap	Regolazione aria Serranda dell'aria	Réglage de l'air Volet d'air	Ajuste del aire Válvula de aire	Настройка подачи воздуха Воздушная заслонка	Siemens SQN 75							
Flame monitor	Rivelatore di fiamma	Surveillance de flamme	Vigilancia de llama	Контроль пламени	ionization	ionization	ionization	ionization	ionization	ionization	ionization	ionization
Ignition transformer	Trasformatore d'accensione	Allumeur	Encendedor	Устройство розжига	1-Pole Electronic	1-Pole Electronic	1-Pole Electronic	1-Pole Electronic	1-Pole Electronic	1-Pole Electronic	2-Pole Electronic	2-Pole Electronic
Electric motor rpm - watt	Motore elettrico giri motore - watt	Moteur rpm - watt	Motor rpm - watt	Электродвигатель об/мин - watt	2800 rpm							
Voltage	Tensione	Tension	Tensión	Напряжение	300 W	370 W	370 W	550 W	550 W	750 W	750 W	750 W
Power consumption (operation)	Potenza elettrica assorbita (Esercizio)	Puissance électrique absorbée (en service)	Potencia eléctrica absorbida (en funcionamiento)	Потребляемая электрическая мощность: (при работе)	230 V (230/400 V Max Gas 500-700) / 50 Hz							
Weight	Peso	Poids	Peso	Приблизительный вес	460 W	570 W	570 W	700 W	700 W	820 W	820 W	820 W
Protection level	Classe di protezione	Indice de protection	Indice de protección	Класс электробезопасности	23 kg	25 kg	25 kg	25 kg	25 kg	28 kg	28 kg	28 kg
Sound pressure level dB(A)	Livello pressione sonora dB(A)	Niveau pression acoustique dB(A)	Nivel de presión acústica dB(A)	Уровень шума, dB(A)	IP40							
Ambient temp. for storage	Temperatura ambiente di stoccaggio	Température ambiente de stockage	Temperatura ambiente de almacenamiento	Температура хранения	73	73	73	73	73	75	75	75
Temperature for use	Temperatura d'utilizzazione	Température d'utilisation	Temperatura ambiente de utilización	Рабочая температура	-20° ... +70° C							
					-10° ... +60° C							

Overview - Working diagrams / Panoramica - Curve / Vue d'ensemble - Domaine de fonctionnement / Descripción - Ámbito de funcionamiento /
Обзор - Рабочий диапазон



Working diagram	Curva	Domaine de fonctionnement	Ámbito de funcionamiento	Рабочий диапазон
The working diagram shows burner output as a function of combustion chamber pressure. It corresponds to the maximum values specified by EN 676.	Il campo di attività indica la potenza del bruciatore in funzione della pressione della camera di combustione. Corrisponde ai valori massimi previsti dalla norma EN 676 misurati sul tubo della fiamma di controllo.	Le domaine de fonctionnement correspond aux valeurs mesurées lors de l'homologation. Elle correspond aux valeurs max mesurées sur tunnel d'essai d'après l'EN 676.	El ámbito de funcionamiento corresponde a los valores registrados en el momento de la homologación. Corresponde a los valores máx medidos en el túnel de ensayo según la EN 676.	Рабочий диапазон показывает производительность горелки в зависимости от давления в топочной камере. Он соответствует максимальным значениям согласно EN 676, измеренным в контрольной топочной камере.
The efficiency rating of the boiler should be taken into account when selecting a burner.	In occasione della scelta del bruciatore si deve tenere conto del rendimento energetico della caldaia.	Pour le choix du brûleur, tenir compte du rendement de la chaudière.	Para la elección del quemador, se ha de tener en cuenta el rendimiento de la caldera.	При выборе горелки необходимо учитывать КПД котла.
Calculation of burner output:	Calculation of burner output:	Calcul de la puissance calorifique:	Cálculo de la potencia calorífica:	Расчет тепловой мощности:
$QF = \frac{Q_N}{\eta_K}$	$QF = \frac{Q_N}{\eta_K}$	$QF = \frac{Q_N}{\eta_K}$	$QF = \frac{Q_N}{\eta_K}$	$QF = \frac{Q_N}{\eta_K}$
QF = Burner output (kW)	QF = potenza della caldaia (kW)	QF = Puissance calorifique (kW)	QF = Potencia calorífica (kW)	QF = Тепловая мощность, кВт
QN = Rated boiler output (kW)	QN = potenza nominale della caldaia (kW)	QN = Puissance nominale chaudière (kW)	QN = Potencia nominal de la caldera (kW)	QN = Номинальная мощность котла, кВт
η_K = Boiler efficiency (%)	η_K = rendimento energetico della caldaia (%)	η_K = Rendement chaudière (%)	η_K = Rendimiento de la caldera (%)	η_K = КПД котла, %

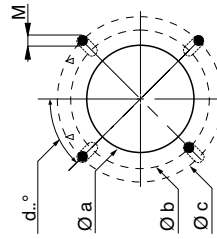
Overview - Dimensions / Panoramica - Dimensioni / Vue d'ensemble - Dimensions / Descripción - Dimensiones / Обзор - Размеры



Model	A	B	C	D	D1	E	F	G	I	L	M	N	O
MAX GAS 350 E PAB	485	277	208	175	335	466	157	280	185/200	185/200	M8	62	101
MAX GAS 400 E PAB	485	277	208	175	335	466	157	280	185/200	185/200	M8	62	101
MAX GAS 500 E PAB	485	277	208	175	335	466	157	280	185/200	185/200	M8	62	101
MAX GAS 700 LN PAB	485	277	208	250	390	466	190	280	185/200	185/200	M8	62	101

D = short head D1 = long head
Dimensions (mm)

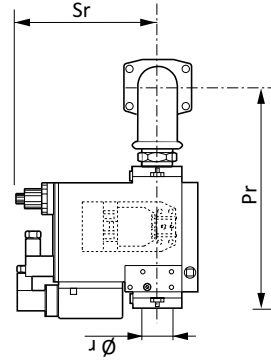
Boiler plate drilling



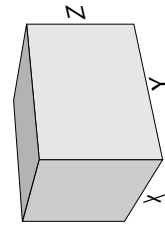
Model	Ø a	Ø b	Ø c	d°
MAX GAS 350 E PAB	167	262	283	45°
MAX GAS 400 E PAB	167	262	283	45°
MAX GAS 500 E PAB	167	262	283	45°
MAX GAS 700 LN PAB	200	262	283	45°

Packaging

Model	X	Y	Z	kg
MAX GAS 350 E PAB	500	830	600	23,5
MAX GAS 400 E PAB	500	830	600	23,5
MAX GAS 500 E PAB	500	830	600	29
MAX GAS 700 LN PAB	500	1100	600	31



GAS TRAIN DIMENSIONS:
refer to GT manual



Contents - Index - General warnings


Overview	Conformity declaration	3
	Technical data	4
	Working diagrams	5
	Dimensions	6
Contents	Index	7
	General warnings	7
	Burner description	8
Function	General safety functions	9
	Siemens LME... control and safety unit	10
Installation	Burner assembly	11
	Electrical connection	12
	Checks before commissioning	12
Start up	Adjusting burner output	13
	Air pressure switch adjustment - setting gas pressostat	14
	Recording commissioning data	14
Service	Maintenance	15-16
	Troubleshooting	17
Overview	Electrical diagrams	62-67
	Spare parts list	68-72


Introduction


The instruction manual supplied with the burner:

- offers important indications and instructions relating to the installation safety, start-up, use and maintenance of the burner.
- is designed for use by qualified personnel.

Symbols used in the manual

 **Maximum danger.** This symbol indicates operations which cause serious injury, death or long-term health risks, if not carried out correctly.


 **Warning.** This symbol indicates operations which may cause serious injury, death or long-term health risks, if not carried out correctly.

 **Caution.** This symbol indicates operations which may cause damage to the machine and/or injury to people, if not carried out correctly.
 istruzioni imballo ricavate dal cod. 440050111400

 **Danger: live components**


 **Danger: flammable material**


 **Danger: burning**

 **Danger: crushing of limbs**


Obligation to assemble the cover and all the safety and protection devices.




 **Environmental protection**
 This symbol gives indications for the use of the machine with respect for the environment.

 **Important information**
 This symbol indicates important information that you must bear in mind.


Important notes
 Ecoflam burners have been designed and built in compliance with all current regulations and directives.

 **All burners comply to the safety and energy saving operation regulations within the standard of their respective performance range.**

 **The burner must not operate outside the working range.**


The quality is guaranteed by a quality and management system certified in accordance with ISO 9001:2008.

MAX GAS burners are designed for the low-pollutant combustion of natural gas and Liquefied Petroleum Gas. I bruciatori sono conformi alla norma EN 676.

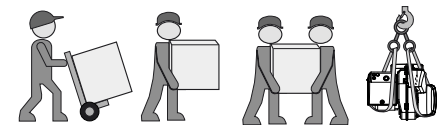
 **Assembly and commissioning must be carried out only by authorised specialists and all applicable guidelines and directives must be observed.**

Packaging and handling


Move the burner still in its packaging using a trolley or forklift, taking care not to drop it and elevating it no more than 20cm from ground level. After having removed the packaging, check that the contents are in good condition and correspond with what was ordered. If in doubt, contact the manufacturer.

 **The burner must be installed by a qualified individual.**

If the weight and dimensions do not allow for manual lifting, ask another operator for





help or use a forklift, harness the burner using belts if no eyebolts are available.


 Use the accessories provided (flange, gasket, pins and nuts) to install the burner onto the boiler, taking care not to damage the isolating gasket.

Installation location

Install the burner, after carefully clean around the intended area.

 correctly dispose of all residual packaging, separating the various types of material

 The burner must not be operated in rooms containing aggressive vapours (e.g. spray, perchloroethylene, hydrocarbon tetrachloride, solvent, etc.) or tending to heavy dust formation or high air humidity. Adequate ventilation must be provided at the place of installation of the furnace system to ensure a reliable supply with combustion air.

 **We can accept no warranty liability whatsoever for loss, damage or injury caused by any of the following:**

- Inappropriate use.
- Incorrect assembly or repair by the customer or any third party, including the fitting of non-original parts.

Provision of the system and the operating instructions

The firing system manufacturer must supply the operator of the system with operating and maintenance instructions on or before final delivery. These instructions should be displayed in a prominent location at the point of installation of the heat generator, and should include the address and telephone number of the nearest customer service centre.

Contents - Burner description

Burner description

MAX GAS PAB are two-stage, fully automatic, monoblock type burners. Burner head is designed to get the lowest emissions in terms of NOx and unburnt particles in order to maximize the heat generator efficiency. Emissions can be different respect to the ones recorded in the lab because they depends a lot on the generator on which the burner is fit. The installer must comply with compulsory rules. Avoid for instance dangerous atmosphere or not ventilated rooms.

Technical label

Tampering, removal or absence of plate burner or anything that not allow the secure identification of the burner make difficult for any installation and maintenance activity.

Notes for the operator

The system should be inspected by a specialist at least once a year. It is advisable to take out a maintenance contract to guarantee regular servicing.

MAX GAS 350 E PAB TC

NAME	
MAX GAS Gas	
MODEL	
MAX GAS 350 350 kW	
EMISSION	
E	ErP version
LN	Low NOx
OPERATION TYPE	
P	1 stage
PAB	2 stages
HEAD TYPE	
TC	Short head
TL	Long head
FUEL	
	Natural gas
LPG	LPG



For any other use, the authorization of Ecoflam is required.

Scope of delivery

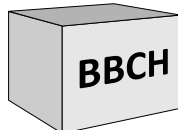
The burner is delivered in a modular system of packagings i.e. separate set/box:

BBCH: Burner Body with Combustion Head with flange.

- 1 bag including :
- multilanguage technical manual.
- wieland plug.
- screws, nuts and washer.

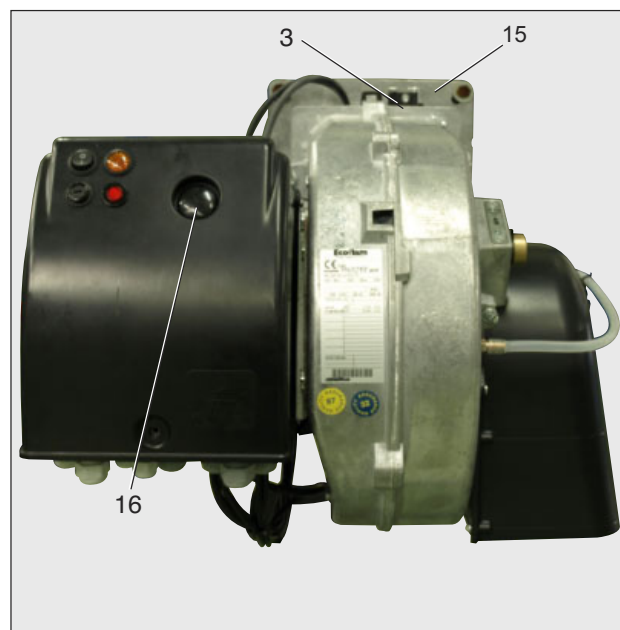
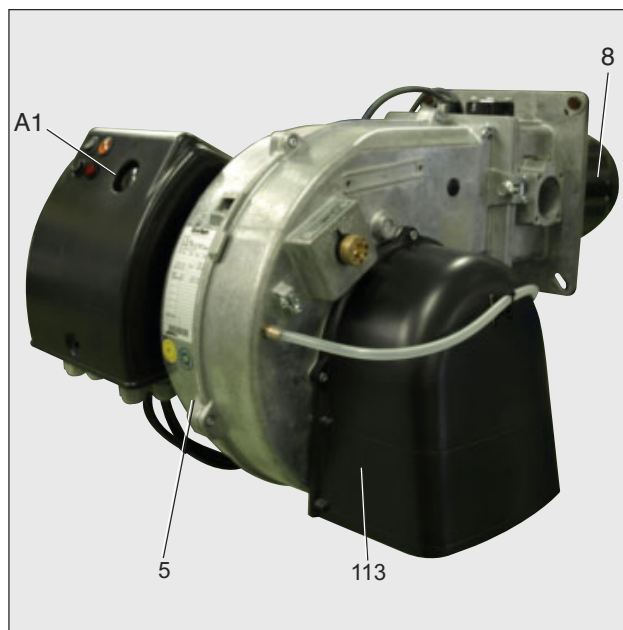
GT: separate Gas Train

KIT & ACS are managed and delivered separately



- A1 LME22 Gas control unit
- 3 Air regulation in the burner head
- 5 Housing
- 8 Blast tube
- 15 Burner flange
- 16 Reset key
- 113 Air intake

KIT & ACS delivered separately



Function - General safety functions

Description of functions

When the system is switched on for the first time, after a power failure or safety shutdown, after a lack of gas or after the system has been out of operation for 24 hours, the pre-ventilation period of 30 seconds begins.

During pre-purge period:

- blower pressure is monitored
- the combustion chamber is monitored for flame signals.

At the end of the pre-purge period:

- ignition is switched on.
- main and safety valve are opened.
- burner starts.

Monitoring

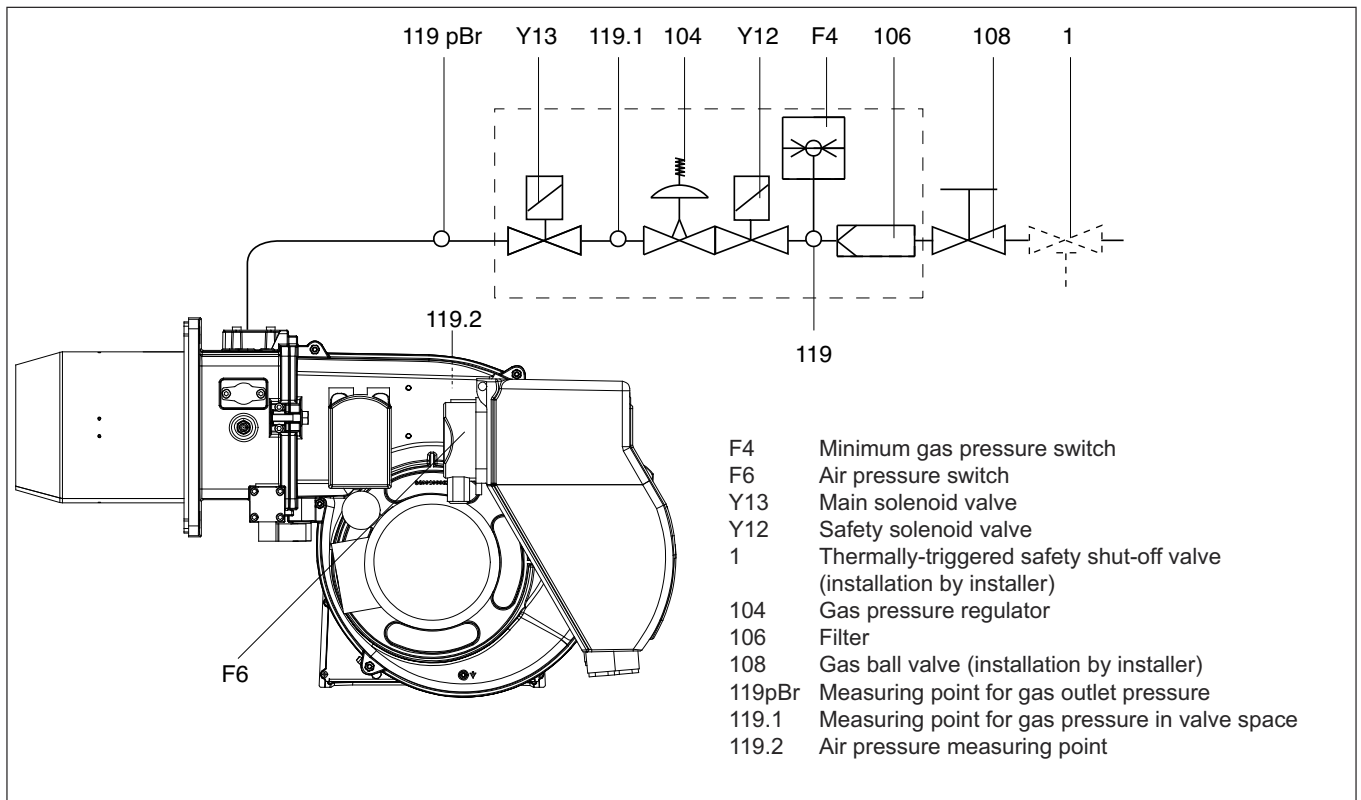
The flame is monitored by an ionization probe. The probe is insulated and fitted to the gas head and is routed through the flame disc into the flame zone. The probe must not have any electrical contact with earthed parts. The burner switches to lock-out if a short circuit occurs between the probe and the burner earth. During burner operation, an ionised zone is produced in the gas flame through which a rectified current flows from the probe to the burner head.

Safety functions

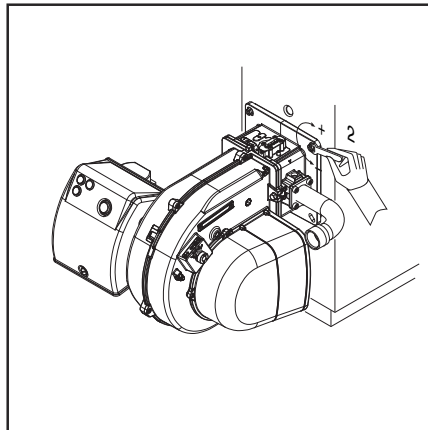
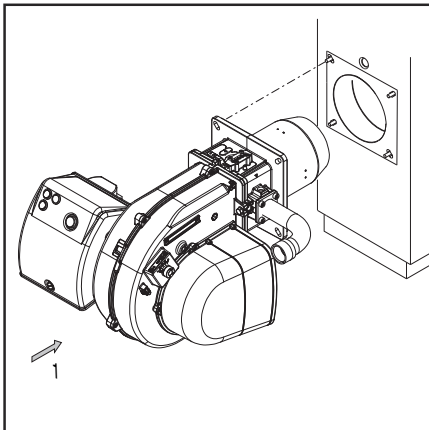
- If no flame is produced when the burner is started (gas release), the burner will be switched off at the end of the safety period, and the gas valve will close.
- If the flame goes out during operation, the gas supply is interrupted and the control unit goes to block.
- If there is a lack of air during reventilation or operation, the control unit goes to block.
- If there is a lack of gas, the burner does not begin operation or switches off.

In the event of controller shutdown

- Controller thermostat interrupts heat request.
- Gas solenoid valves close.
- Flame goes out.
- Burner motor switches off.
- Burner is ready for operation.



Installation - Burner assembly



Burner assembly

The burner is fixed by means of connecting flange and therefore to the boiler.

Installation:

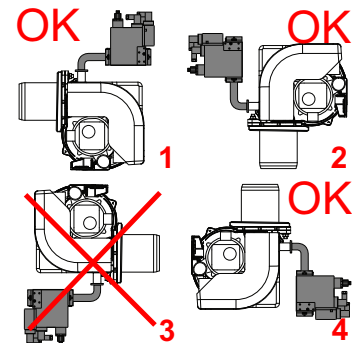
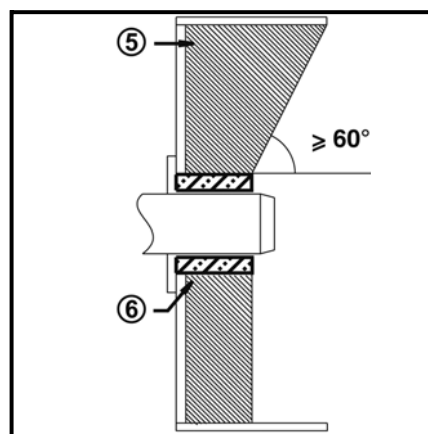
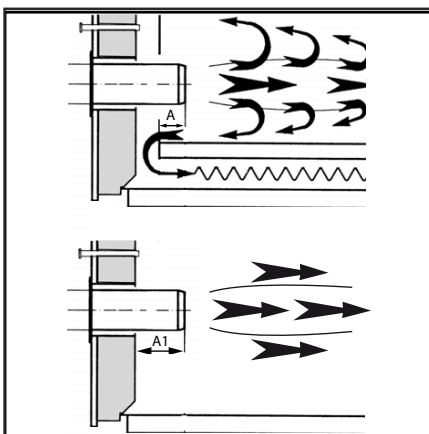
- fix the flange to the boiler with the screws.

Removal:

- loosen screw.
- pull the burner out of the boiler.



Install the burner on the boiler according to the installation position shown in. Installation 3 is forbidden for safety reason.



Gas lines

When installing the gas lines and gas train, the general EN676 directives and guidelines must be observed. EN676 compulsory kit and accessories in order to comply to the safety regulations. Additional accessories and kits shall be installed by the installer in accordance to the local safety regulations and codes of practise.



Upon the installer responsibility it is mandatory to install additional support(s) in order to not overload the burner body with the dead load of full gas train, accessories, piping and so on. The burner body can stand just the gas valve and the piping between the gas valve and the body.

Installing the gas train



The gas train is supplied separately, for fitting refer to the instructions in the gas train manual.

General regulations applying to the gas connection

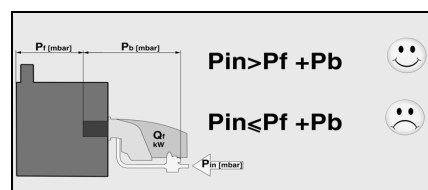
- The gas train must only be connected to the gas mains by a recognised specialist.
- The cross-section of the gas line should be of a size designed to guarantee that the gas flow pressure does not drop below the

specified level.

- A manual shut-off valve (not supplied) must be fitted upstream of the gas train.

LEGEND

- Pf: Back pressure of furnace
- Pb: Pressure of burner (combustion head + complete gas train)
- Pin: Minimum inlet pressure



LPG TRANSFORMATION KITLPG-MAXGAS...

For operation with Liquefied Petroleum Gas, it is necessary to order the kit and follow the instructions given in the specific manual.

Burner blast tube insertion depth and brickwork

Unless otherwise specified by the boiler manufacturer, heat generators without a cooled front wall require brickwork or insulation 5 as shown in the illustration. The brickwork must not protrude beyond the leading edge of the blast tube, and should have a minimum conical angle of 60°. Gap 6 must be filled with an elastic, non-combustible insulation material. For boilers with reverse firing, the minimum burner tube insertion depth A as specified in the boiler manufacturer's instructions must be observed.

On boilers the blast tube insertion depth should be observed as per the boiler manufacturer's instructions.

Reverse flame boiler :

A = 50-100 mm.

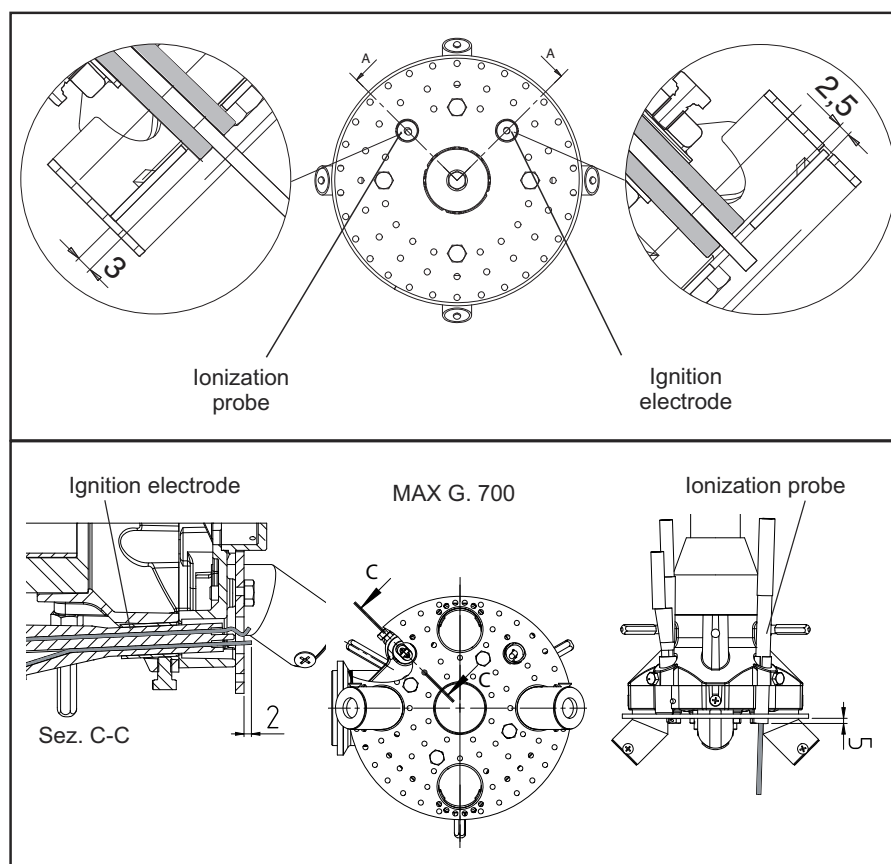
Three pass boilers :

A1 = 50-100 mm.

Exhaust system

To avoid unfavourable noise emissions, right-angled connectors should not be used on the flue gas side of the boiler.

Installation - Electrical connection - Checks before commissioning



2. change the setting of the thermal relay, referring to the absorption values indicated in the motor nameplate. If necessary, replace the thermal relay with another one of suitable scale.

This operation is not possible on motors above 3 kW.

For more information, please contact the Ecoflam staff.

Position of electrodes

Setting the ionisation probe and ignition electrode: see diagram
Always check the position of the electrodes after service or substitution or assembly of LPG kit as wrong position might cause ignition problem.

Checks before commissioning

The following must be checked before initial commissioning:

- That the burner is assembled in accordance with the instructions given here.
- That the burner is pre-set in accordance with the values in the adjustment table.
- Setting the combustion components.
- The heat generator must be ready for operation, and the operating regulations for the heat generator must be observed.
- All electrical connections must be correct.
- The heat generator and heating system must be filled with water and the circulating pumps must be in operation.
- The thermostats, pressure regulator, low water detectors and any other safety or limiting devices that might be fitted must be connected and operational.
- The exhaust gas duct must be unobstructed and the secondary air system, if available, must be operational.
- An adequate supply of fresh air must be guaranteed.
- The heat request must be available.
- Sufficient gas pressure must be available.
- The fuel supply lines must be assembled correctly, checked for leaks and bled.
- A standard-compliant measuring point must be available, the exhaust gas duct up to the measuring point must be free of leaks to prevent anomalies in the measurement results.

Electrical connection

The electrical installation and connection work must only be carried out by an authorised electrical specialist.

All applicable rules and regulations must be observed.

The electrical installation should include a type A circuit breaker.

The applicable guidelines and directives must be observed, as well as the electrical circuit diagram supplied with the burner!

- Check to ensure that the power supply voltage is as specified in the electric diagram and in data plate.
- Burner fuse: 5 A.

Electrical connection (plug-in)

It must be possible to disconnect the burner from the mains using an omnipolar shutdown device complying with the standards in force. The burner and heat generator (boiler) are connected to the terminal block of the cabinet (fig.1).

Connecting the gas train

Connect the gas train to the plugs on the burner.

The burners are produced with connections suitable for power supply 380-400 V three-phase.

The burners with electric motors of an output lower or equal to 3 kW can be adapted to 220-230 V (please follow the instructions on the backside); motors with higher output can only work 380-400 V three-phase. In case of request of burners different from the above mentioned standard, it is recommended to make specific mention in the order.

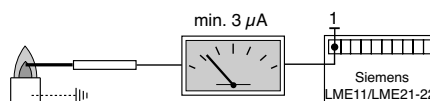
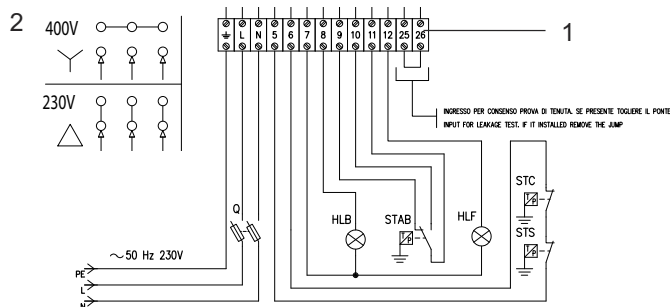
Instructions: how to adapt electric motors of an output lower or equal to 3 kW to 220-230 V power supply

It is possible to change the voltage of the burner by operating as follows:

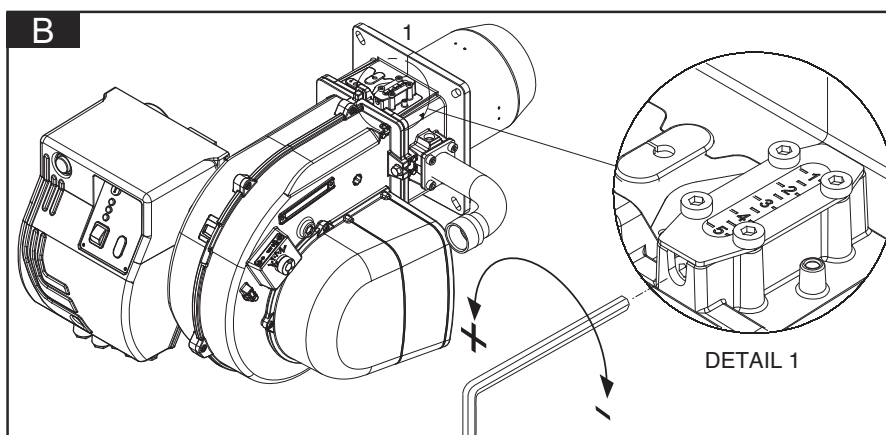
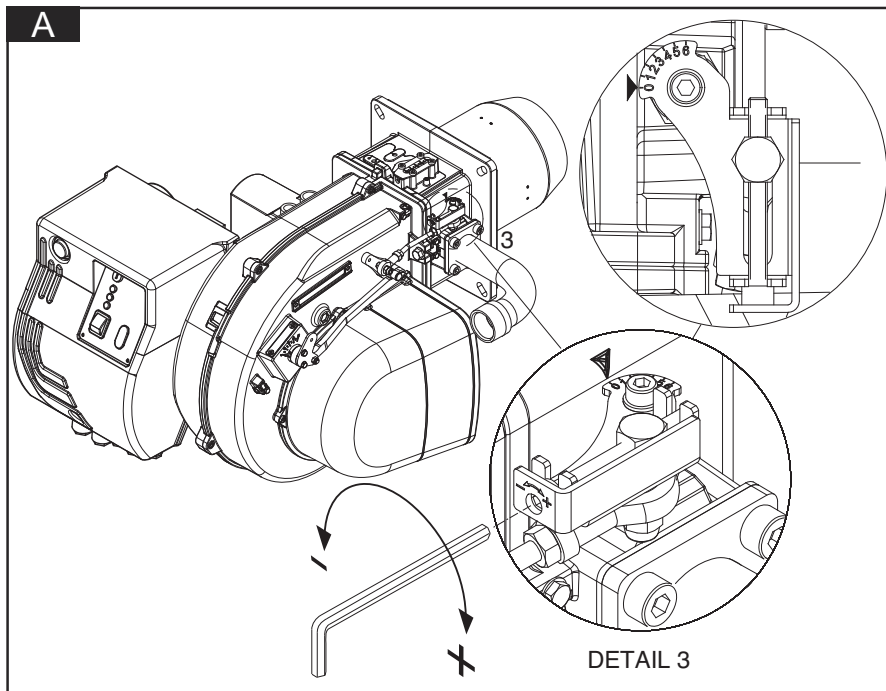
1. change the connection inside the electric box of the motor, from star to delta (see fig. 2);

Ionization current measurement

With the burner switched off, connect a DC microammeter. When the burner is running, and is properly adjusted, the value read must be steady and never be smaller than 3 μ A.



Start up - Adjusting burner output

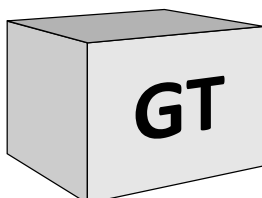
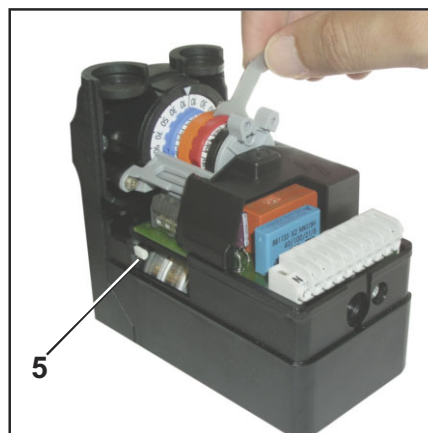


Servomotor SQN75

Remove cover to enter the adjusting cams. Adjust cams through the suitable key (on issue) and a screwdriver.

- I - Adjusting cam (BLUE) for air damper position on burner's shutdown (total close 0°).
- II - Adjusting cam (ORANGE) for opening position in ignition and Low Flame (by the screwdriver).
- III - Adjusting cam (RED) for opening position in High Flame (max. output).
- IV - Adjusting cam (BLACK) to allow the opening of High flame solenoid valve.

(5): MANUAL RELEASE SWITCH



420010962800

i **Adjustment of gas solenoid valve**
Refer to the gas train manual for the gas setting of the gas train selected.

Optimising combustion values

The factory setting shall be modified according to the output required.

! WARNING **N.B.** observe the minimum required flue gas temperature specified by the boiler manufacturer and the requirements demanded of ue gas ducts for avoiding condensation.

i **Warning: Recording of initial commissioning data is recommended.**

"PAB" version gas burners gas train installation and setting instructions (A)

Fix the gas train to burner body by means of the 4 screws of the flange, pay attention to set correctly the gasket (O-ring). Connect electrically the gas train with the 2 connectors of the valve (black) and gas pressure switch(gray).

Switch on the burner (it has already been tested in the factory, so it is pre set on average values) and verify the tightness of gas train connections made during installation. Act as follows to adapt the burner output to the boiler.

Regulating the combustion of the two-stage burner (PAB version)

Follow the sequence of operations:

Maximum power regulation:

- 1) position the air valve in the fully open setting (90°, through the dispaly). For particularly low power only, if the reduction of air is not sufficient with the head in position 1, reduce the opening of the air valve.
- 2) dose the air by moving the combustion head (figure) to suit the power required (as shown in figure).
- 3) dose the gas by regulating the gas ramp (see figure in the ramp manual).

Low flame setting:

- 1) after regulating the maximum power and determining the working pressure of the gas in the head, position the valve on the low flame setting, 25° through the dispaly, and dose the gas using the regulation screw on the butterfly valve of the gas. (figure).
- 2) if the minimum charge obtained in this way is too low for the heat generator, increase the opening of the air valve, adjusting the flow of gas using the butterfly valve of the gas to obtain the minimum appropriate power.

Firing head setting (1).

To act on the screw in figure:
• turn Allen key till you reach the requested value (index 1-5).

! DANGER **Risk of air blast!**
Continuously check CO, CO₂ and soot emissions when adjusting the output of the burner. Optimise combustion values in the event of CO formation. CO must not exceed 50 ppm.

Start up - Air pressure switch adjustment - Setting gas pressostat

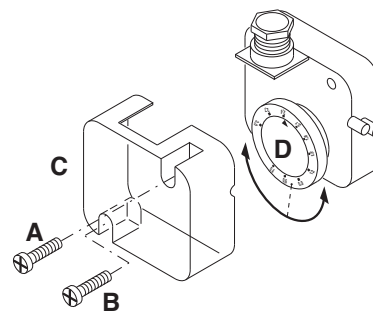
Air pressure switch calibration

The air pressure switch is provided for monitoring the pressure of the combustion air fan.

Unscrew screws A and B and remove cover C. After the air and gas setting you have to calibrate the air switch with the burner working on the low flame by slowly turning the relative knob clockwise until the burner locks out. Read the value and then decrease it by 15%.

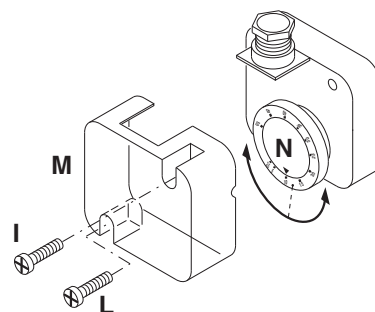


WARNING: the air pressure switch shall prevent the air pressure to go below 85% from the adjustment value in order to prevent the CO in the fumes to exceed 1% (10000 ppm).



Min gas pressure switch

The gas pressure switch has the function to check that the gas pressure before the gas valve does have the minimum pressure to make the burner running correctly. Unscrew off and remove cover M. - Set knob N to a value equal to 60% of gas nominal feed pressure (i.e. for natural gas nom. pressure = 20 mbar, set knob to a value of 12 mbar; for LPG nom. pressure of G31- 30/37 mbar, set knob to a value of 18 mbar). Screw up cover M.



Operating check

Flame monitoring must be checked for safety as part of initial commissioning and also after servicing or

if the system has been out of operation for any significant period of time.

- Start attempt with gas ball valve closed:

the automatic combustion control unit must switch to gas shortage or malfunction after the end of the safety period.



Recording commissioning data

Test	n°1	n°2	n°3	n°4
Date				
Model				
Type gas				
Gas calorific value				
Gas inlet pressure	mbar			
Adjustment gas pressure				
Volumetric gas flow rate	Nm³/h			
Burner output	min	kW		
Burner output	max	kW		
Flue gas temperature		C°		
Air temperature		C°		
CO ₂		%		
CO		ppm		
NOx		ppm		
Performance		%		
Corrective action				
Operator name				
Company				

Service - Maintenance

Burner and boiler servicing must only be carried out by qualified personell. The system operator is advised to take out a service contract to guarantee regular servicing.



The operator is obliged to use the equipment necessary during maintenance.



Attention



- Disconnect the electrical supply before carrying out any maintenance or cleaning work.



- The blast tube and firing head may be hot.

Checking the exhaust gas temperature

- Check the flue gas temperature at regular intervals.
- Clean the boiler if the flue gas temperature is more than 30°C above

the value measured at the time of commissioning.

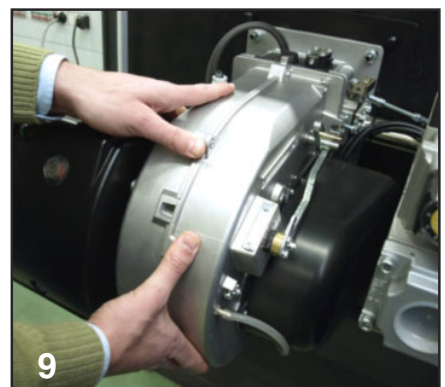
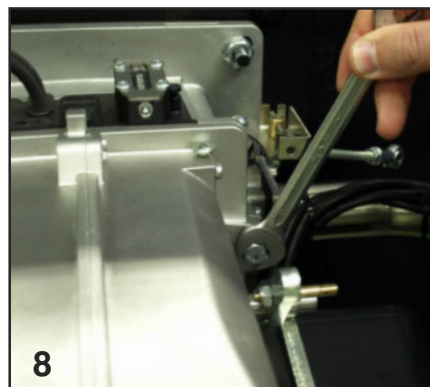
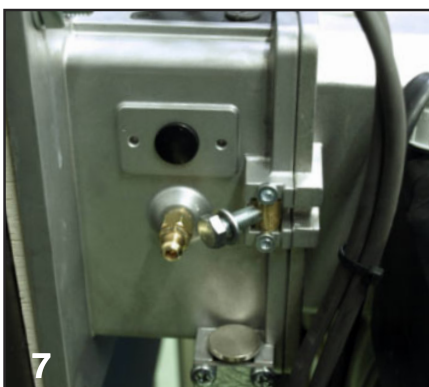
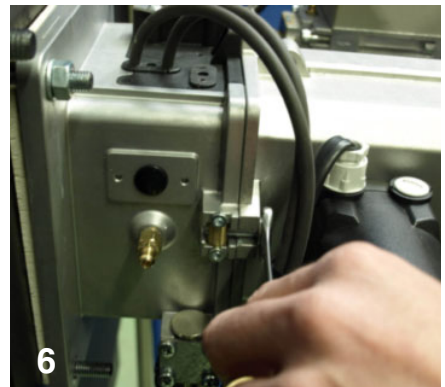
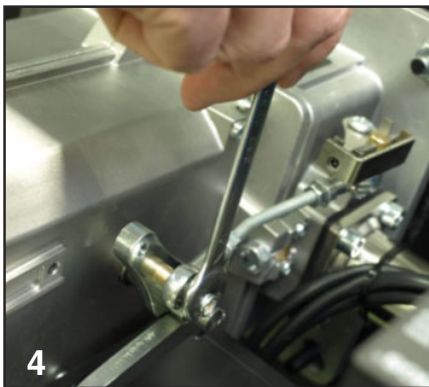
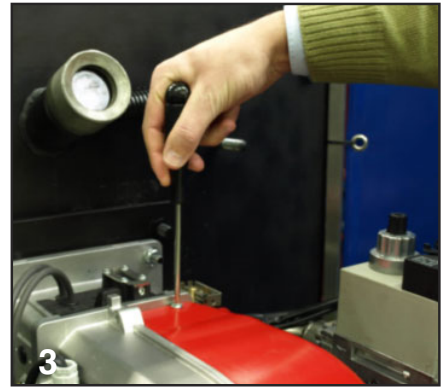
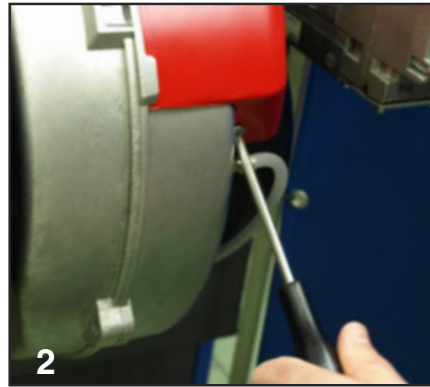
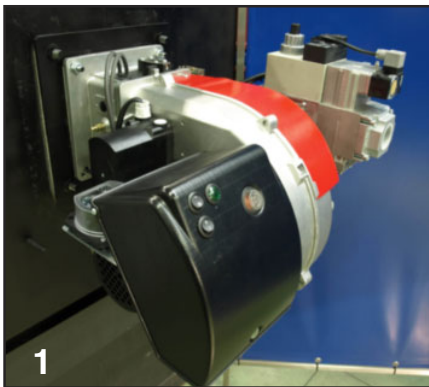
- To simplify the check, use a flue gas temperature indicator.



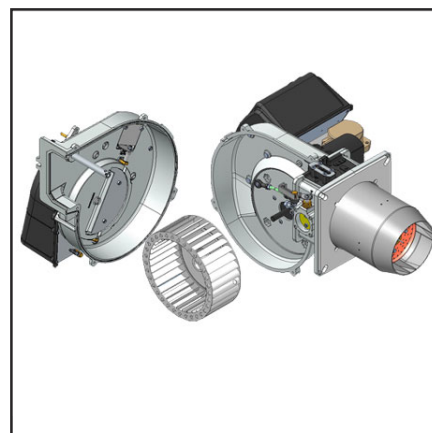
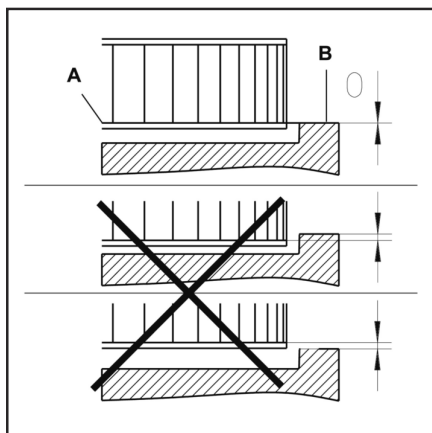
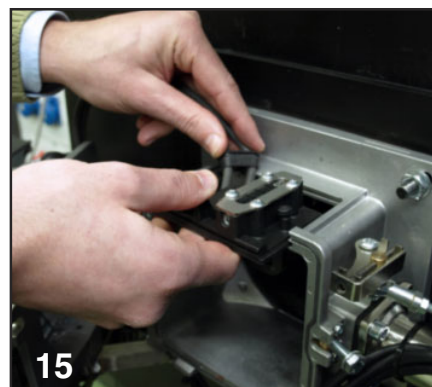
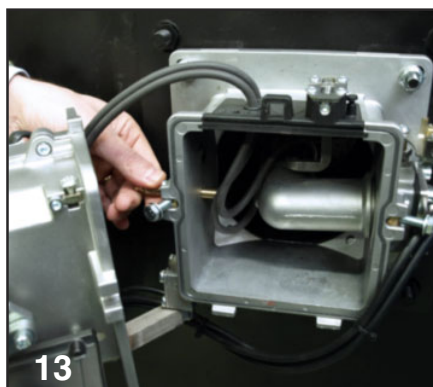
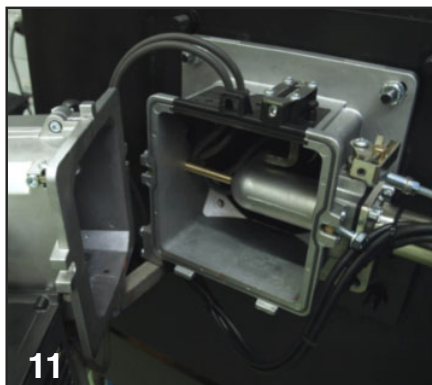
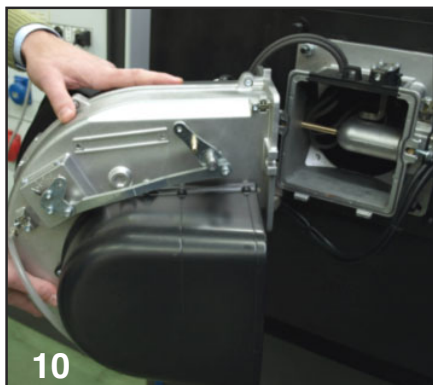
Once the maintenance, cleaning or checking operations have been completed, reassemble the cover and all the safety and protection devices of the burner.

Removing firing head

- See pictures in the order.



Service - Maintenance

**Fan assembly**

Observe the positioning diagram above when replacing the motor and blower wheel. The inside flange **A** of the blower wheel must be fitted at the same level as the equipment plate **B**. Insert a straight edge between the wing of the blower wheel and set **A** and **B** to the same height, tighten the set screw on the blower wheel (maintenance position 1).

**Maintenance on the burner**

- Check gas supply components (tubes, lines) and their connections for leaks or signs of wear, replace if necessary.
- Check electrical connections and connection cables for damage, replace if necessary.
- Check gas filter, clean or replace as necessary.
- Clean fan wheel and housing and check for damage.
- Check and clean the mixing unit.
- Check ignition electrodes block, readjust or replace as necessary.
- Start burner, check flue gas data, correct burner settings if necessary.
- Check the setting for air pressure switch and gas pressostat.
- Check the gas train settings.

- Carry out an operating check.

Service - Troubleshooting

Fault diagnosis and repair

In the event of a malfunction, first check that the prerequisites for correct operation are fulfilled:

1. Is the system connected to the power supply?
2. Is there any gas pressure?
3. Is the gas shut-off valve open?
4. Are all control and safety devices, such as the boiler thermostat, low water level detector, limit switch, etc. adjusted correctly?

If the malfunction persists, use the following table. It is not permitted to repair any components relevant to safety.



These components must be replaced by parts with the same order number.



Only use original spare parts.



In the event the burner stops, in order to prevent damage to the installation, do not unblock the burner more than twice in a row. If the burner locks for a third time, contact the customer service.

NB: after each operation:

- under normal operating conditions (doors closed, hood fitted, etc.), check combustion and check the individual lines for leaks.
- Record the results in the relevant documents.

Maintenance

Annual check

The burner (combustion head, electrodes, etc.) must be checked regularly by an authorized technician, once or twice a year, depending on how much it is used. Before proceeding with the maintenance check-up on the burner, it is advisable to check the general condition of the burner and take the following steps:

- Disconnect the burner (remove the plug).
- Close the gas shut-off cock.
- Remove the cover from the burner, clean the fan and air intake.
- Clean the combustion head and check the position of the electrodes.
- Re-install the parts.
- Check the seal on the gas connectors.
- Check the state of the flue.
- Start the burner.
- Check the combustion parameters

Before taking any action check:

- That there is power in the circuit and the burner is connected;
- That the gas pressure is right and the gas shut-off cock is open;
- That the control systems are properly connected. If all these conditions have been satisfied, start the burner by pressing the reset button.
- Check the burner cycle.

If the burner fails to start:

check the switch, the thermostats, the motor and the gas pressure.

If the burner proceeds with preventilation but cuts out at the end of the cycle:

- Check the air pressure and the fan.
- Check the air pressure switch.

If the burner proceeds with preventilation but does not light:

- Check the installation and position of the electrodes.
- Check the ignition cable.
- Check the ignition transformer.
- Check the safety device.

If the burner lights but cuts out after the safety interval:

- Check that the phase and neutral wires are connected correctly.
- Check the gas solenoid valve.
- Check the position and connection of the detector electrode.
- Check the detector electrode. Check the safety device.

If the burner lights but cuts out after operating for a few minutes:

- Check the pressure regulator and gas filter.
- Check the gas pressure with a pressure gauge.
- Check the detector value (at least 3 µA).

Error code table

Red blink code of signal lamp (LED)	«AL» at term. 10	Possible cause
2 blinks	on	No establishment of flame at the end of «TSA» - Faulty or soiled fuel valves - Faulty or soiled flame detector - Poor adjustment of burner, no fuel - Faulty ignition equipment
3 blinks	on	«LP» faulty - Loss of air pressure signal after «t10», - «LP» welded in normal position
4 blinks	on	Extraneous light when burner is started up
5 blinks	on	Time out «LP» - «LP» welded in working position
6 blinks	on	Free
7 blinks	on	Too many losses of flame during operation (limitation of the number of repetitions)- Faulty or soiled fuel valves. - Faulty or soiled flame detector - Poor adjustment of burner.
8 blinks	on	Free
9 blinks	on	Free
10 blinks	off	Wiring error or internal error, output contacts, other faults.
14 blinks	on	CPI contact not closed

Contenuti generali - Indice - Avvertenze generali

Panoramica	Dichiarazione di conformità	3
	Dati tecnici	4
	Curve di lavoro	5
	Dimensioni d'ingombro	6
Contenuti generali	Indice	18
	Avvertenze generali	18
	Descrizione del bruciatore	19
Funzione	Funzioni generali di sicurezza	20
	Programmatore di comando e sicurezza Siemens LME...	21
	Pannello do controllo	21
Installazione	Montaggio del bruciatore	22
	Connessione elettrica	23
	Controlli da eseguire prima della messa in funzione	23
Messa in funzione	Regolazione del bruciatore	24
	Regolazione dei pressostati aria e gas	25
	Registrazione dati di messa in funzione	25
Assistenza	Manutenzione	26-27
	Possibili inconvenienti	28
Panoramica	Schemi elettrici	62-67
	Parti di ricambio	68-72

Introduzione

Il manuale di istruzione è fornito con il bruciatore:

- fornisce importanti indicazioni ed avvertenze sulla sicurezza nell'installazione, la messa in funzione, l'uso e la manutenzione del bruciatore.
- è progettato per essere utilizzato da personale qualificato.

Simbologia utilizzata nel manuale



Pericolo massimo, indica operazioni che possono **causare** lesioni gravi, morte o rischi per la salute a lungo termine, se non eseguite correttamente.



Attenzione, indica operazioni che **possono causare** lesioni gravi, morte o rischi per la salute a lungo termine, se non eseguite correttamente.



Cautela, indica operazioni che **possono causare** danni alla macchina e/o lesioni alle persone, se non eseguite correttamente.



Pericolo: componenti in tensione.



Pericolo : materiale infiammabile.



Pericolo: ustioni.



Pericolo: schiacciamento degli arti.

Obbligo di montare le coperture, e tutti i dispositivi di sicurezza e protezione.



Protezione ambientale
Questo simbolo fornisce indicazioni per l'uso della macchina nel rispetto dell'ambiente.



Informazioni importanti
Questo simbolo indica informazioni importanti che è necessario tenere a mente.

Avvertenze importanti

I bruciatori Ecoflam sono stati progettati e costruiti nel rispetto delle normative e direttive correnti.



Tutti i bruciatori rispondono alle normative sulla sicurezza e sul risparmio energetico nel limite del campo di lavoro dichiarato.



Il bruciatore non deve funzionare fuori del campo di lavoro.

La qualità del prodotto è garantita dal sistema di certificazione in base alla norma ISO 9001:2008.

I bruciatori MAX GAS sono progettati per la combustione di gas naturale e di gas propano, con basse emissioni inquinanti. I bruciatori sono conformi alla norma EN 676.



Montaggio, messa in funzione e manutenzione devono essere eseguiti esclusivamente da personale tecnico autorizzato, nel rispetto delle direttive e delle prescrizioni in vigore.

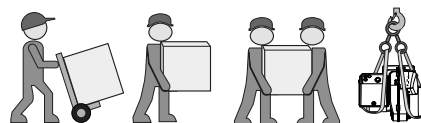
Imballo e movimentazione

Movimentare il bruciatore ancora imballato con un carrello o un elevatore facendo attenzione a non farlo cadere tenendosi a non più di 20 cm da terra. Dopo aver tolto l'imballo, controllare che il contenuto sia integro e corrisponda al prodotto ordinato. In caso di dubbi, contattare il produttore.



L'installazione del bruciatore deve essere effettuata da personale abilitato.

Se le dimensioni e il peso non consentono un sollevamento manuale, farsi aiutare da



un altro operatore, od utilizzare un sollevatore imbracando il bruciatore con delle fasce se non disponibili i golfari.



Usare gli accessori in dotazione (flangia ,guarnizione, perni e dadi) per installare il bruciatore alla caldaia facendo attenzione a non danneggiare la guarnizione isolante.

Luogo di installazione

Installare il bruciatore dopo avere effettuato la pulizia intorno all'area destinata.



Smaltire correttamente tutti i residui dell'imballo differenziando le vari tipologie di materiali.



Il bruciatore non dev'essere messo in funzione in locali in cui siano presenti vapori aggressivi (ad es. lacca per capelli, percloroetilene, tetracloruro di carbonio), notevole accumulo di polvere o forte umidità dell'aria (ad es. lavanderie). Una adeguata ventilazione deve essere fornita nel locale dell'installazione in modo da garantire le condizioni per una buona combustione.



Si esclude qualsivoglia responsabilità per eventuali danni derivanti dalle seguenti cause:

- utilizzo non conforme.
- montaggio difettoso e/o riparazione a cura dell'acquirente o terzi, ivi inclusa l'applicazione di elementi di origine estranea.

Consegna e istruzioni per l'uso

Il costruttore dell'impianto di combustione è tenuto a consegnare al gestore dell'impianto, al più tardi all'atto della consegna dello stesso, le istruzioni per l'uso e la manutenzione. Queste istruzioni devono essere appese nel locale di installazione del generatore termico in modo ben visibile. Devono essere indicati l'indirizzo ed il numero telefonico del punto di assistenza più vicino.

Contenuti generali - Descrizione del bruciatore

Descrizione del bruciatore

I bruciatori MAX GAS PAB sono bruciatori bistadio completamente automatici. La geometria della testa di combustione permette di ottenere bassi livelli di NOx e di incombusti, massimizzando quindi il rendimento del generatore. Le emissioni possono essere diverse da quelle riscontrate nel laboratorio di prova in quanto dipendono molto dal generatore sul quale il bruciatore è installato. L'installatore deve rispettare le normative vigenti. Per esempio sono da evitare locali con atmosfere pericolose o non ventilate.

Targa dati

La manomissione, l'asportazione, la mancanza della targhetta del bruciatore o quant'altro, non permettono la sicura identificazione del bruciatore e rendono difficoltosa qualsiasi operazione di installazione e manutenzione.

Avvertenza per il gestore

L'impianto dev'essere controllato almeno una volta l'anno da un tecnico specializzato. Al fine di garantire un'esecuzione regolare, si suggerisce di stipulare un contratto per la manutenzione dell'impianto.



Per ogni altro utilizzo è necessaria l'autorizzazione della Ecoflam.

Imballaggio

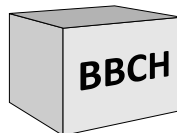
Il bruciatore è consegnato con un sistema modulare di imballo (scatole separate):

BBCH: Bruciatore completo con testa di combustione e flangia.

- 1 sacchetto : - manuale tecnico in multilingue.
- viti, dadi e rosette.

GT: Rampa Gas separata

KIT & ACS ordinabili e consegnati separatamente



KIT & ACS ordinabili e consegnati separatamente



- A1 Siemens LME22 programmatore di comando e sicurezza gas
- 3 Regolazione dell'aria nella testa di combustione
- 5 Fusione
- 8 Boccaglio
- 15 Flangia bruciatore
- 16 Pulsante Reset
- 113 Cuffia aria

MAX GAS 350 E PAB TC

NOME _____

MAX GAS Gas _____

MODELLO _____

MAX GAS 350 350 kW _____

EMISSIONI _____

E _____ versione ErP

LN _____ Low NOx

TIPO DI FUNZIONAMENTO _____

P _____ 1 stadio

PAB _____ 2 stadi

TIPO TESTA _____

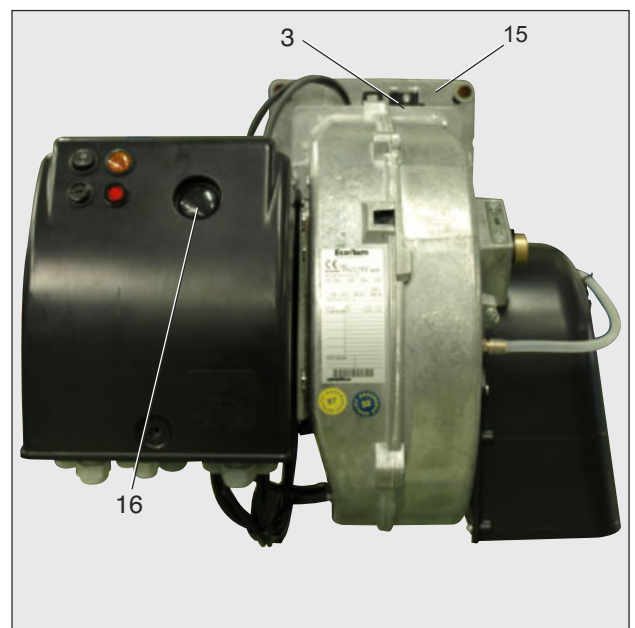
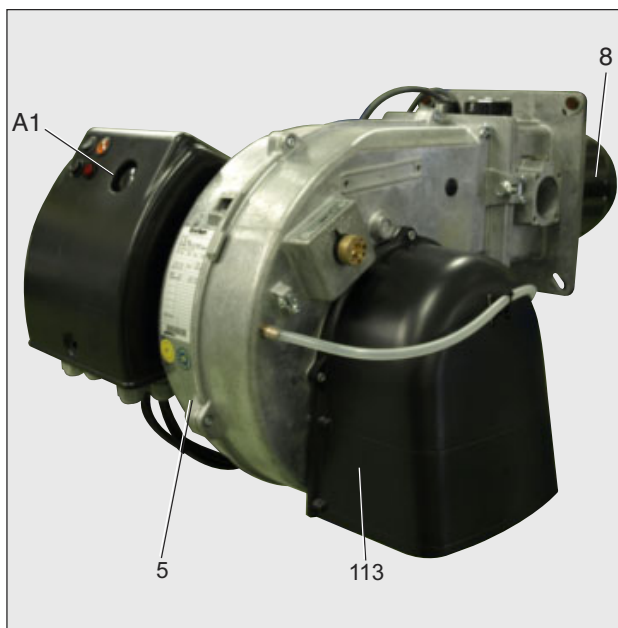
TC _____ Testa corta

TL _____ Testa lunga

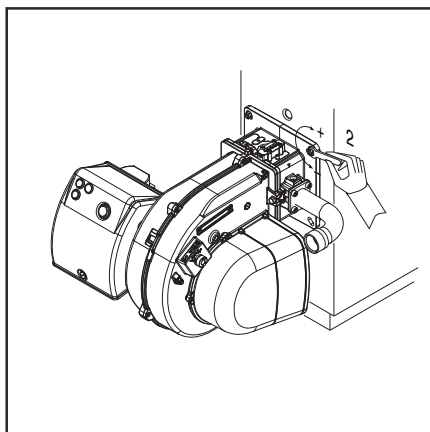
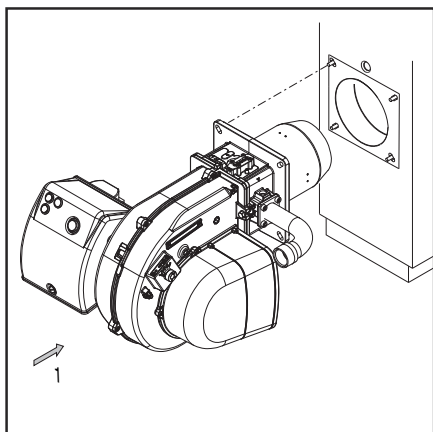
COMBUSTIBILE _____

_____ Gas Naturale

LPG _____ Gas Propano



Installazione - Montaggio del bruciatore



Montaggio del bruciatore

Il bruciatore viene fissato alla flangia di attacco e di conseguenza alla caldaia, in tal modo la camera di combustione viene chiusa a tenuta stagna.

Montaggio:

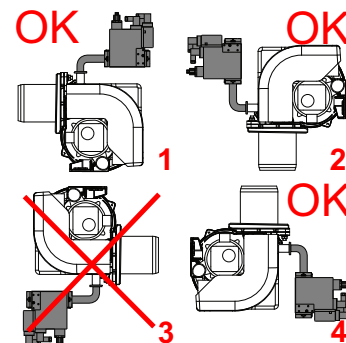
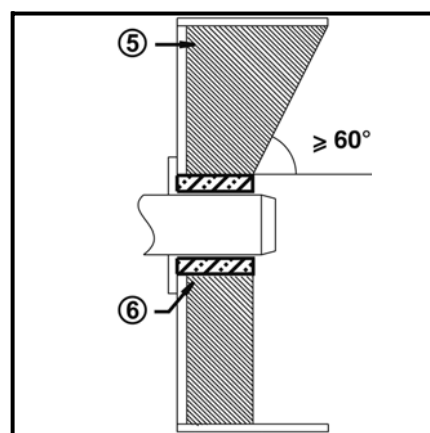
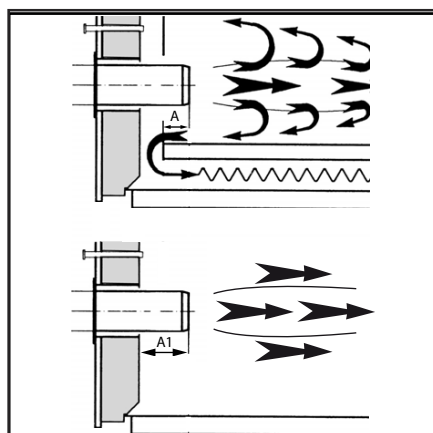
- Fissare la flangia alla caldaia con le viti.

Smontaggio:

- Togliere le viti.
- Estrarre il bruciatore dalla caldaia.



Installare il bruciatore sulla caldaia in base alla posizione di installazione mostrata. L'installazione 3 è vietata per motivi di sicurezza.



Linea alimentazione gas

Nell'installazione della linea di alimentazione e della rampa gas bisogna osservare le prescrizioni della EN676. Ulteriori accessori dovranno essere montati dall'installatore per soddisfare eventuali normative locali.



E' responsabilità dell'installatore installare gli elementi di supporto aggiuntivi necessari per non sollecitare il bruciatore

con l'ulteriore peso di eventuali accessori e tubazioni a monte della rampa. Il corpo del bruciatore è progettato per sostenere unicamente il peso della propria rampa gas e del raccordo tra rampa e corpo bruciatore.

Installazione della rampa gas

La rampa gas è fornita separatamente, per il suo montaggio fare riferimento alle istruzioni del manuale della rampa gas.



Prescrizioni di ordine generale per l'allacciamento del gas

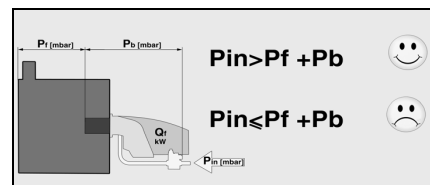
- Il collegamento della rampa gas alla rete del gas deve essere effettuato esclusivamente da un tecnico esperto autorizzato.
- La sezione della tubazione del gas deve essere preparata in modo tale che la pressione di alimentazione del gas non possa scendere al di sotto del valore

prescritto.

- Una valvola manuale di arresto (non fornita) deve essere montata a monte della rampa gas.

LEGENDA

Pf: Contropressione al focolare
Pb: Pressione gas bruciatore (testa di combustione + rampa gas)
Pin: Pressione minima di alimentazione



TRASFORMAZIONE A GPL

KITLPG-MAXGAS...

Per operare con GPL è necessario acquistare il Kit GPL e montarlo osservando le istruzioni allegate.

Profondità di montaggio del boccaglio del bruciatore e rivestimento refrattario

Per i generatori senza parete anteriore raffreddata e in assenza di indicazioni contrarie da parte del costruttore della caldaia, è necessario eseguire un rivestimento in mattoni o l'isolamento secondo la figura (5) a lato.

Il rivestimento in mattoni non deve sporgere oltre il bordo anteriore del boccaglio e deve terminare con una conicità massima di 60°. Lo spazio d'aria (6) dev'essere riempito con un materiale isolante elastico, non infiammabile.

Per le caldaie deve essere rispettata la profondità di penetrazione del boccaglio, in conformità con le indicazioni fornite dal costruttore della caldaia stessa.

Caldaie ad inversione di fiamma :

A = 50-100 mm.

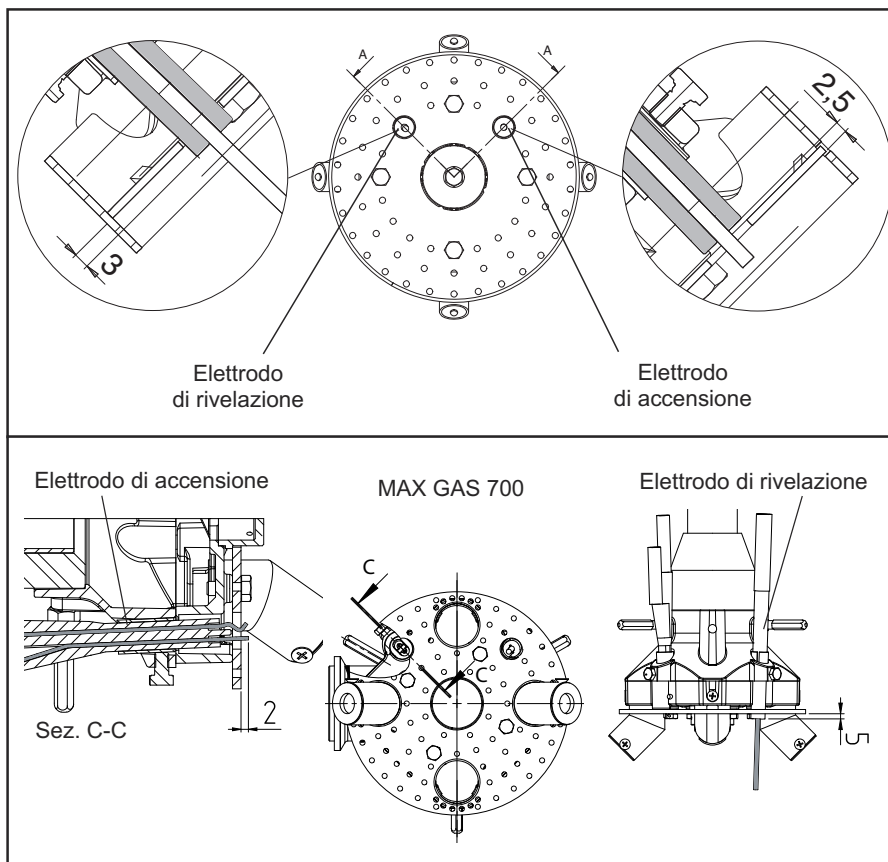
Caldaie a tre giri di fumo :

A1 = 50-100 mm.

Condotto dei fumi

Al fine di evitare rumorosità indesiderate si raccomanda di evitare l'utilizzo di raccordi ad angolo retto al momento del collegamento della caldaia al camino.

Installazione - Connessione elettrica - Controlli da eseguire prima della messa in funzione



1. modificare il collegamento all'interno della scatola di alimentazione del motore elettrico: da stella a triangolo (vedi fig. 3);
2. modificare la taratura del relè termico, riferendosi ai valori di assorbimento riportati nella targa dati del motore elettrico. Se necessario, sostituire il relè termico con altro di scala idonea. Questa operazione non è possibile su motori superiori ai 3 kW. Per ulteriori informazioni, vi preghiamo di contattare il personale Ecoflam.

Posizione elettrodi

Verificare sempre la posizione degli elettrodi dopo la loro sostituzione o il montaggio del KIT LPG. Una posizione errata può comportare problemi di accensione o rivelazione.

Controlli da eseguire prima della messa in funzione

Prima della messa in funzione devono essere controllati i seguenti punti.

- Montaggio del bruciatore secondo le presenti istruzioni.
- Preimpostazione del bruciatore secondo le indicazioni riportate nella tabella di regolazione.
- Controllo degli organi di combustione • Il generatore termico dev'essere pronto per l'uso, le prescrizioni di montaggio del generatore termico devono essere rispettate.
- Tutti gli allacciamenti elettrici devono essere eseguiti correttamente.
- Il generatore termico ed il sistema di riscaldamento sono pieni d'acqua, le pompe di circolazione sono in funzione.
- Termostati, regolatore di pressione, dispositivo di sicurezza in caso di carenza d'acqua ed altri dispositivi limitatori eventualmente installati sono correttamente collegati e funzionanti.
- Le vie di scarico dei fumi devono essere sgombrare, il dispositivo per l'aria secondaria, se presente, dev'essere in funzione.
- Dev'essere garantito un sufficiente apporto di aria pura.
- Dev'essere presente una richiesta di riscaldamento.
- Deve essere disponibile una pressione del gas sufficiente.
- I condotti per il combustibile devono essere installati a regola d'arte, devono essere sottoposti ad un controllo per garantirne l'ermeticità ed essere disaerati.
- Il punto di misurazione previsto dalla norma per il controllo dei fumi di scarico dev'essere presente, il percorso dei fumi sino al punto di misurazione dev'essere a tenuta stagna in modo che i risultati delle misurazioni non possano essere falsati.

Allacciamento elettrico

L'impianto elettrico e i lavori di allacciamento devono essere eseguiti esclusivamente da personale specializzato autorizzato. A tal proposito devono essere rispettate le normative e le direttive vigenti. L'impianto d'alimentazione dovrà essere dotato di un interruttore differenziale di tipo A.

Rispettare obbligatoriamente le prescrizioni e le direttive in vigore, oltre allo schema elettrico fornito con il bruciatore!

- Verificare che la tensione di rete corrisponda alla tensione d'esercizio indicata nello schema elettrico e targa dati. Fusibile sulla caldaia: 5 A

Allacciamento elettrico (plug-in)

Il bruciatore deve poter essere scollegato dalla rete mediante uno dei corrispondenti dispositivi di interruzione onnipolari conformi alle norme vigenti. Bruciatori e generatori termici (caldaie) vengono collegati tra di loro mediante una

connessione alla morsettiera del pannello (fig.1).

Collegamento della rampa gas

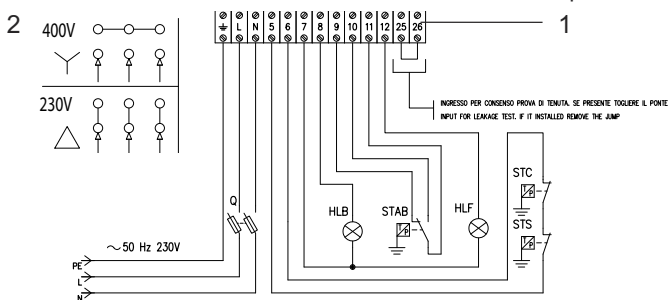
Eseguire il collegamento della rampa gas con le prese situate sul bruciatore.

I bruciatori sono prodotti con i collegamenti adatti all'alimentazione 380-400 V trifase.

I bruciatori con motori elettrici di potenza inferiore o uguale a 3 kW possono essere adattati per alimentazione a 220-230 V (seguire le istruzioni sul retro); per i motori con potenze superiori è possibile solo l'alimentazione a 380-400 V trifase. In caso di richiesta di bruciatori diversi dallo standard sopra indicato si raccomanda di farne specifica menzione nell'ordine.

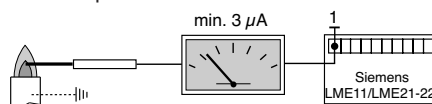
Istruzioni: come adattare motori elettrici di potenza uguale o inferiore a 3 kW per alimentazione 220-230 V

E' possibile modificare il voltaggio del bruciatore operando come segue:

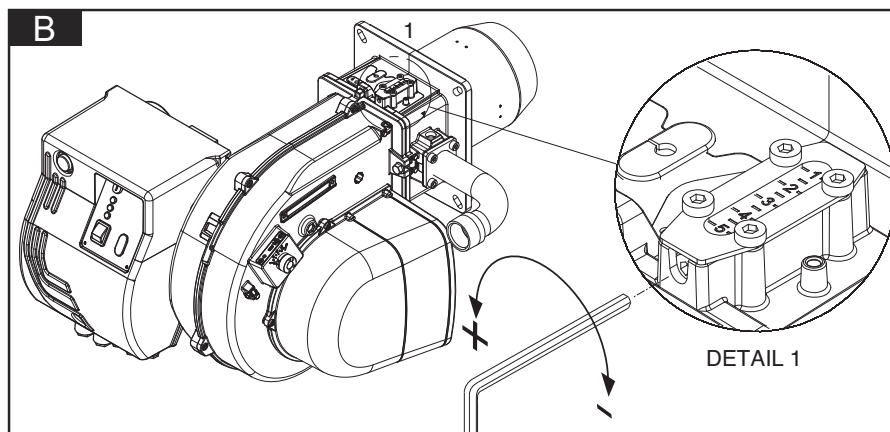
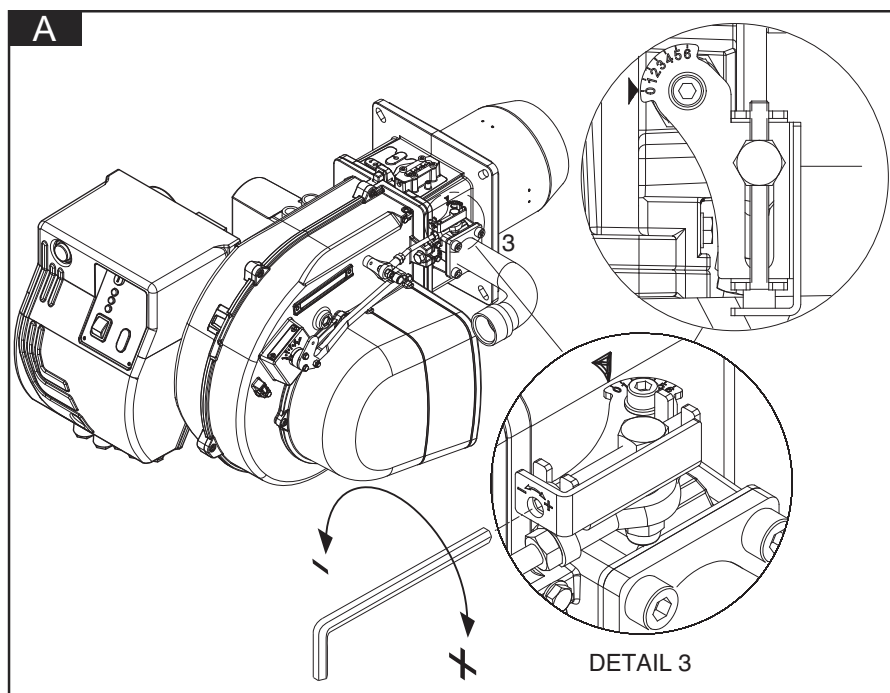


Misurazione della corrente di ionizzazione

A bruciatore spento inserire un microamperometro in corrente continua. Con il bruciatore in funzione, e regolato correttamente, il valore letto dovrà essere stabile e mai inferiore a 3 µA.



Messa in funzione - Regolazione del bruciatore

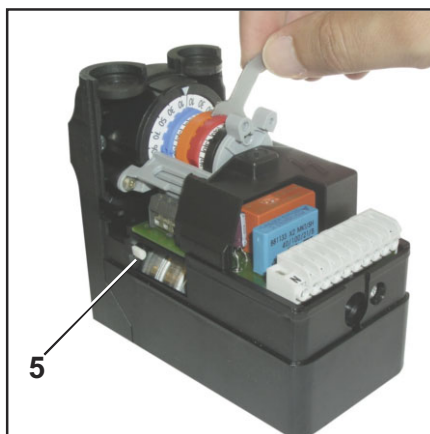
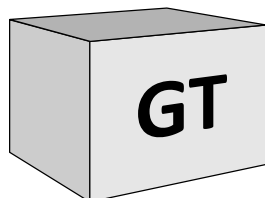


Servocomando aria SQN75

Togliere il coperchio per accedere alle camme di regolazione. Lo spostamento delle camme va effettuato con l'ausilio dell'apposita chiavetta (in dotazione), e di un giravite a taglio. Descrizione :

- I - Camma (CELESTE) di regolazione della posizione serranda allo spegnimento (chiusura totale 0°).
- II - Camma (ARANCIONE) di regolazione posizione di apertura in accensione e 1° fiamma (con giravite).
- III - Camma (ROSSA) di regolazione posizione di apertura in 2° fiamma (potenza max).
- IV - Camma (NERA) di consenso all'apertura dell'elettrovalvola del 2° stadio.

(5): LEVA DI SBLOCCO



i **Regolazione della valvola gas**
Regolate le valvole gas in base alle istruzioni del manuale della rampa gas.

Ottimizzazione dei valori di combustione

La taratura di fabbrica dovrà essere modificata a seconda della potenza richiesta.



N.B. rispettate il valore minimo della temperatura fumi specificato dal costruttore della caldaia per evitare la formazione di condensa.



Avvertenza: E' raccomandata la registrazione dei dati di prima messa in funzione.

"Bruciatori versione "PAB"assemblaggio e regolazione della rampa gas (A)

Montare la rampa gas fissando le 4 viti della flangia e facendo attenzione al corretto posizionamento della guarnizione (O-ring) di tenuta. Collegare elettricamente la rampa gas tramite i 2 connettori della valvola (nero) e del pressostato gas (grigio). Accendere il bruciatore (in fabbrica è già stata eseguita una pre-taratura di massima) e verificare la tenuta dei raccordi gas eseguiti in sede di installazione. Per adeguare il bruciatore all'effettiva potenza della caldaia agire come segue:

Regolazione della combustione del bruciatore bistadio (versione PAB)

Seguire le operazioni elencate :

Regolazione potenza massima :

- 1) posizionare la serranda aria in massima apertura (90°, agendo sul display. Solo per potenze erogate particolarmente basse, se non è sufficiente la riduzione dell'aria fatta con la testa in posizione 1, ridurre l'apertura della serranda aria).
- 2) dosare l'aria spostando la testa di combustione (figura) in base alla potenza richiesta (come esempio figura).
- 3) dosare il gas agendo sulla regolazione della rampa gas (vedi figura nel manuale della rampa).

Regolazione bassa fiamma :

- 1) dopo aver regolato la potenza massima e quindi determinato la pressione di lavoro del gas in testa, posizionare la serranda in bassa fiamma a 25°, agendo sul display e dosare il gas tramite la vite di regolazione posta sulla valvola a farfalla del gas. (figura)
- 2) Se il carico minimo così ottenuto è troppo basso per il generatore di calore, aumentare l'apertura della serranda aria, aggiustando la portata del gas sulla valvola a farfalla fino ad ottenere la potenza minima adeguata.

Regolazione della testa di combustione (B).

Agire sulla vite in figura:

- ruotare con una chiave esagonale fino a raggiungere il valore desiderato (indice da 1 a 5).



Pericolo di deflagrazione: durante le operazioni di regolazione, verificare costantemente le emissioni di CO, CO2 e l'indice di fumosità. In presenza di formazioni di CO modificare i valori della combustione. Il valore massimo di CO non deve superare i 50ppm.

Messa in funzione - Regolazione dei pressostati aria e gas

Regolazione del pressostato aria

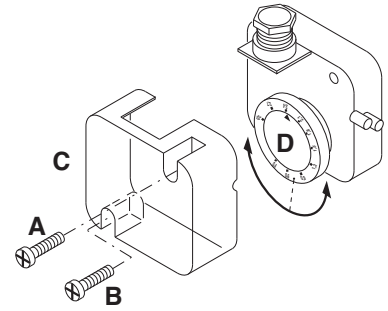
Il pressostato aria controlla la pressione dell'aria di ventilazione.

Svitare le viti A e B e rimuovere il coperchio C.

Dopo aver tarato l'aria e il gas, con il bruciatore in funzione ruotate lentamente in senso orario la ghiera D fino all'arresto di blocco del bruciatore. Leggete il valore indicato sulla ghiera e riducetelo del 15%. Rimontare il coperchio C e riavvitare le viti A e B.



ATTENZIONE: Il pressostato eviterà che la pressione dell'aria non scenda sotto 85% del valore impostato, evitando così che il CO nei fumi superi 1%(10000 ppm).

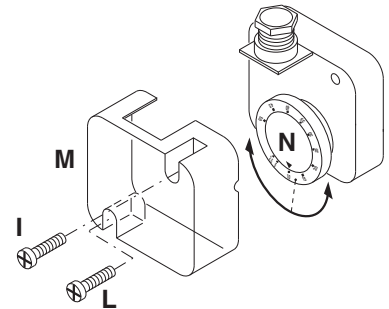


Regolazione del pressostato gas di minima

Il pressostato gas di minima ha la funzione di controllare la pressione minima del gas prima della valvola gas permettendo al bruciatore di funzionare correttamente.

Svitare le viti I e L e togliere il coperchio M. Posizionare la ghiera N ad un valore pari al 60% della pressione nominale di alimentazione gas (es.: per gas metano press. nominale =20 mbar; regolatore posizionato al valore 12 mbar; per G.P.L. pres-

sione nominale G31 30/37 mbar regolatore posizionato al valore di 18 mbar). Rimontare il coperchio M.



Controllo funzionamento

Un controllo di sicurezza del monitoraggio fiamma dev'essere eseguito sia in occasione della prima

messa in funzione, sia dopo aver eseguito revisioni o dopo un lungo periodo di inattività dell'impianto.

- Test di messa in moto con il rubinetto del

gas chiuso: l'apparecchiatura di controllo dovrà segnalare il non funzionamento per mancanza gas o andare in blocco al termine del tempo di sicurezza.



Registrazione dati di messa in funzione

Test	n°1	n°2	n°3	n°4
Data				
Modello				
Tipo gas				
Valore calorifico gas				
Pressione ingresso gas	mbar			
Regolazione pressione gas				
Portata volumetrica gas	Nm³/h			
Potenza bruciatore	min	kW		
Potenza bruciatore	max	kW		
Temperatura fumi		C°		
Temperatura aria		C°		
CO ₂		%		
CO		ppm		
NOx		ppm		
Rendimento		%		
Azione correttiva				
Nome operatore				
Azienda				

Assistenza - Manutenzione

Gli interventi di assistenza sulla caldaia e sul bruciatore devono essere eseguiti esclusivamente da personale tecnico addestrato nel campo del riscaldamento. Al fine di garantire una regolare esecuzione degli interventi di assistenza, si consiglia al gestore dell'impianto di stipulare un contratto di assistenza.

Durante le operazioni di manutenzione il personale ha l'obbligo di indossare i dispositivi di protezione.



il personale ha l'obbligo di indossare i dispositivi di protezione.



Attenzione



- Prima degli interventi di manutenzione e pulizia, disinserire la corrente.



- Il boccaglio ed i componenti della testa possono essere caldi.

Controllo della temperatura dei fumi di scarico

- Controllare regolarmente la temperatura dei fumi di scarico.
- Pulire la caldaia se la temperatura dei fumi di scarico supera il valore della

messa in funzione di oltre 30°C.

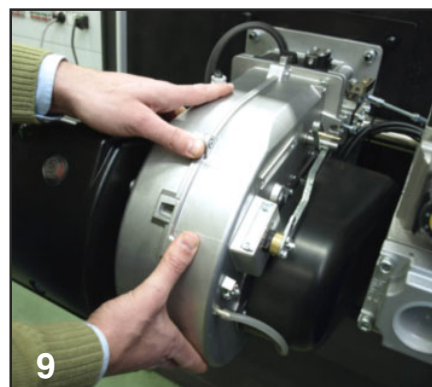
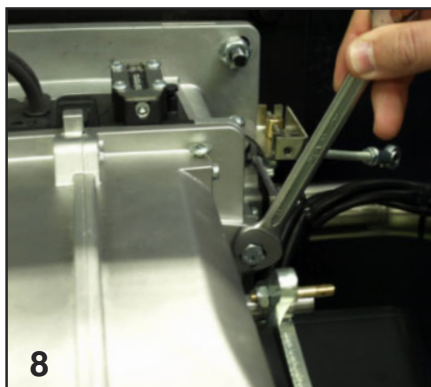
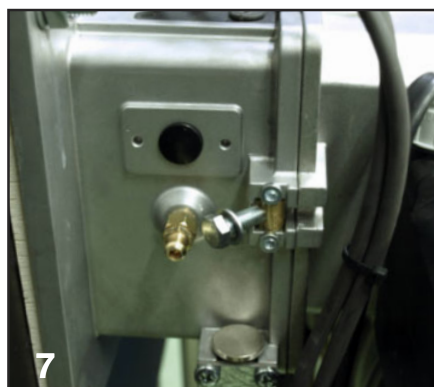
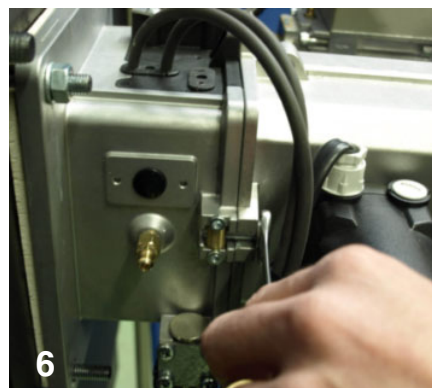
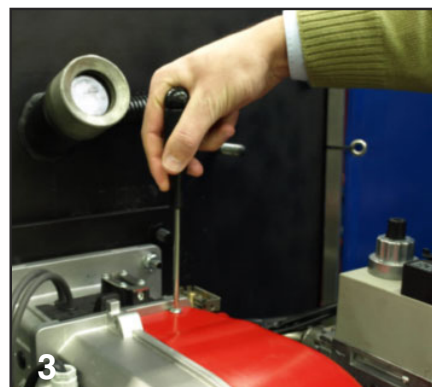
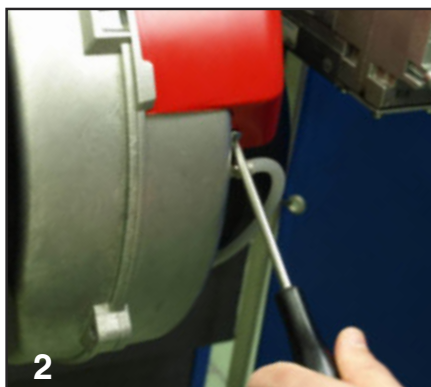
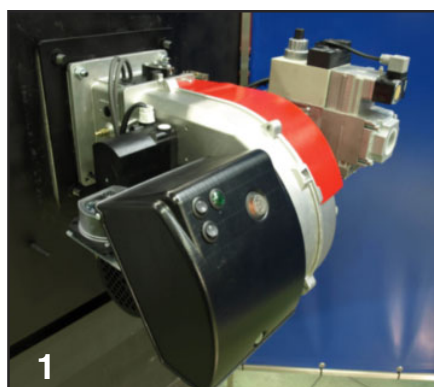
- Al fine di semplificare il controllo, installare un display per la visualizzazione della temperatura dei fumi di scarico.



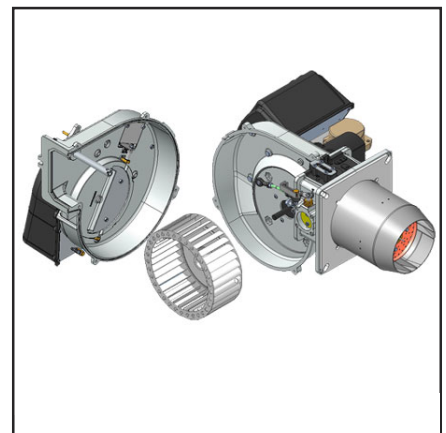
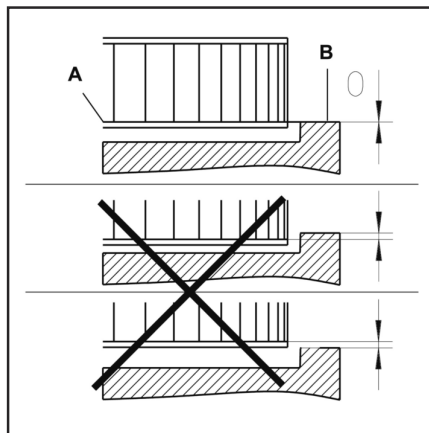
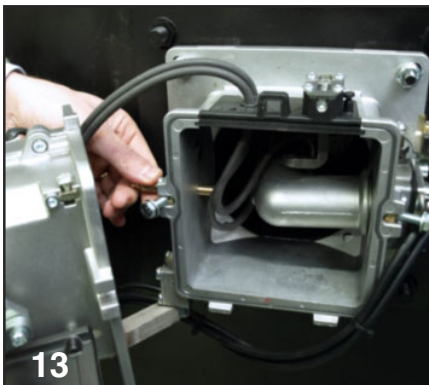
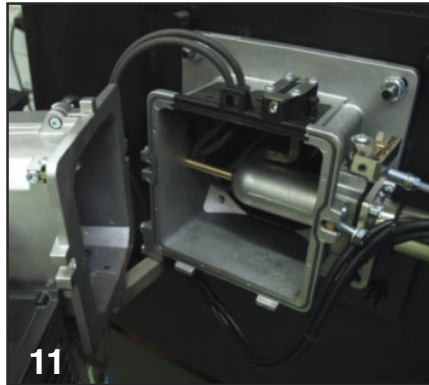
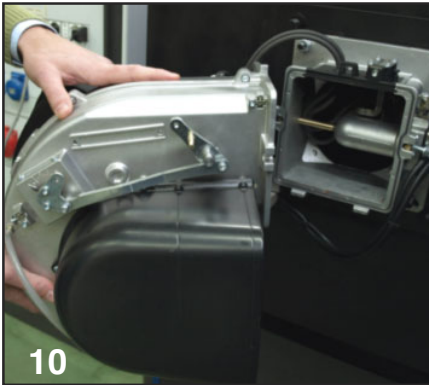
Terminate le operazioni di manutenzione, pulizia o controllo, rimontare il cofano e tutti i dispositivi di sicurezza e protezione del bruciatore.

Smontaggio testa

- Vedere le figure in ordine.



Assistenza - Manutenzione



Montaggio della ventola

In caso di sostituzione della ventola o del motore, fare riferimento allo schema di posizionamento.

Allineare la flangia interna A della ventola con la piastra B.

Inserire un righello tra le pale della ventola e portare A e B alla stessa altezza, serrare la vite senza testa con intaglio sulla ventola (posizione di manutenzione 1).



Interventi di manutenzione sul bruciatore

- Controllare i componenti di alimentazione gas (tubazioni, filtri, ecc.) ed i collegamenti per individuare perdite o segni di usura ed eventualmente sostituirli.
- Controllare la presenza di danni su connessioni elettriche e cavi di raccordo ed eventualmente sostituirli.
- Controllare il filtro gas, pulire e, all'occorrenza, sostituzione se necessario.
- Pulire ventola a carter e controllare che non presentino danni.
- Controllare e pulire i dispositivi di miscelazione.
- Controllare gli elettrodi di accensione ed eventualmente regolarli o sostituirli.
- Avviare il bruciatore, controllare i dati dei fumi di scarico ed eventualmente correggere le regolazioni del bruciatore.
- Controllare le regolazioni dei pressostati

aria e gas.

- Controllare la regolazione della rampa gas.
- Effettuare un controllo del funzionamento.

Assistenza - Possibili inconvenienti

Cause ed eliminazione delle anomalie

In presenza di anomalie, devono essere controllati i presupposti fondamentali per il corretto funzionamento dell'impianto:

1. C'è corrente?
2. C'è tutta la pressione del gas?
3. La valvola di intercettazione del gas è aperta?
4. Tutti gli apparecchi di regolazione e sicurezza come il termostato caldaia, il dispositivo di sicurezza in caso di carenza d'acqua, il fincorsa, ecc., sono impostati?

Nel caso in cui, dopo il controllo dei punti

suddetti, l'anomalia persistesse, usare le seguente tabella.



I componenti di sicurezza non devono essere riparati, bensì devono essere sostituiti con componenti riportanti lo stesso codice articolo.



Utilizzare esclusivamente pezzi originali del costruttore.



In caso di arresto del bruciatore, per evitare danni all'installazione, non sbloccare il bruciatore più di

due volte di seguito. Se il bruciatore va in blocco per la terza volta, contattare il servizio di assistenza.

NB: Dopo ogni intervento controllare:

- i valori di combustione in condizioni di esercizio (porta del locale caldaia chiusa, copertura montata, ecc.).
- registrare i valori di combustione nel libretto di centrale.

Manutenzione

Controllo annuale

Il controllo periodico del bruciatore (testa di combustione, elettrodi, ecc.) deve essere effettuato da personale autorizzato una o due volte all'anno a seconda dell'utilizzo. Prima di procedere al controllo per la manutenzione del bruciatore è consigliabile verificare lo stato generale del bruciatore e seguire le seguenti operazioni:

- Togliere tensione al bruciatore (togliere la spina).
- Chiudere il rubinetto di intercettazione gas.
- Togliere il coperchio del bruciatore, pulire la ventola e l'aspirazione dell'aria.
- Pulire la testa di combustione e controllare la posizione degli elettrodi.
- Rimontare i pezzi.
- Verificare la tenuta dei raccordi gas.
- Verificare il camino.
- Far ripartire il bruciatore.
- Controllare i parametri della combustione.

Prima di ogni intervento controllare:

- Che ci sia tensione elettrica nell'impianto ed il bruciatore sia collegato.
- Che la pressione del gas sia corretta e il rubinetto di intercettazione del gas aperto.
- Che i sistemi di controllo siano regolarmente collegati. Se tutte queste condi-

zioni sono soddisfatte, far partire il bruciatore premendo il pulsante di sblocco.

- Controllare il ciclo del bruciatore.

Il bruciatore non si avvia:

- Controllare l'interruttore, i termostati, il motore, la pressione gas.

Il bruciatore effettua la preventilazione ed al termine del ciclo va in blocco:

- Controllare la pressione dell'aria e la ventola.
- Controllare il pressostato aria.

Il bruciatore effettua la preventilazione e non accende:

- Verificare il montaggio e la posizione degli elettrodi.
- Verificare i cavi di accensione.
- Verificare il trasformatore di accensione.
- Verificare l'apparecchiatura di sicurezza.

Il bruciatore si accende e dopo il tempo di sicurezza va in blocco:

- Controllare fase e neutro che siano collegati correttamente.
- Controllare le elettrovalvole del gas.
- Controllare la posizione dell'elettrodo di rilevazione e la sua connessione.
- Controllare l'elettrodo di rilevazione.
- Controllare l'apparecchiatura di sicurezza.

Il bruciatore si accende e dopo qualche minuto di funzionamento va in blocco:

- Controllare il regolatore di pressione ed il filtro gas.
- Controllare la pressione del gas con un manometro.
- Controllare il valore di rilevazione (min 3 μ A).

Tabella codici errori

Lampeggi (LED)	«AL» term. n°10	Possible cause
2 lampeggi	on	Assenza di fiamma al termine del tempo di sicurezza all'accensione «TSA» - elettrovalvole difettose - rilevatore fiamma difettoso - regolazione bruciatore errata - elettrodi difettosi
3 lampeggi	on	Guasto pressostato aria - Mancanza del segnale pressostato aria dopo «t10», - Contatti pressostato aria incollati in posizione di riposo
4 lampeggi	on	Segnale fiamma estraneo
5 lampeggi	on	Segnale pressostato aria fuori tempo Contatti pressostato aria incollati in posizione di lavoro
6 lampeggi	on	Non utilizzati
7 lampeggi	on	Troppe mancanze di fiamma durante il funzionamento (superato il limite del n° di ripetizioni del ciclo) - elettrovalvole difettose. - rilevatore fiamma difettoso - regolazione bruciatore errata.
8 lampeggi	on	Non utilizzati
9 lampeggi	on	Non utilizzati
10 lampeggi	off	Contatti in uscita difettosi o guasto del dispositivo interno od errore nel cablaggio
14 lampeggi	on	Indicatore di posizione chiusa aperto

Contenus généraux - Sommaire - Notices générales


Vue d'ensemble	Déclaration de conformité	3
	Données techniques	4
	Domaine de fonctionnement	5
	Dimensions	6
Contenus généraux	Sommaire	29
	Notices générales	29
	Description du brûleur	30
Fonction	Fonctions générales de sécurité	31
	Coffret de commande et de sécurité Siemens LME...	32
	Tableau de commande	32
Installation	Montage du brûleur	33
	Raccordement électrique	34
	Contrôles avant la mise en service	34
Mise en service	Réglage du brûleur	35
	Réglage des pressostats d'air et de gaz	36
	Enregistrement des données de mise en service	36
Maintenance	Entretien	37-38
	Problèmes possibles	39
Vue d'ensemble	Schémas électrique	62-67
	Pièces de rechange	68-72


Introduction


Le manuel d'instructions fourni avec le brûleur:


- offre d'importantes indications et consignes concernant la sécurité de l'installation, le démarrage, l'utilisation et l'entretien du brûleur.
- a été réalisé pour utilisation réservée à un personnel qualifié.

Symboles utilisés dans le manuel

 **Danger maximum.** Ce symbole indique des opérations qui causent de graves lésions, la mort ou des risques à long terme pour la santé, si elles ne sont pas effectuées correctement.


 **Avertissement.** ce symbole indique des opérations qui peuvent causer de graves lésions, la mort ou des risques à long terme pour la santé, si elles ne sont pas effectuées correctement.

 **Mise en garde.** ce symbole indique des opérations qui peuvent causer des dommages aux machines ou aux personnes, si elles ne sont pas effectuées correctement.

 **Danger : composants sous tension.**


 **Danger : matériel inflammable.**


 **Danger : brûlures.**

 **Danger : écrasement des membres.**


Obligation de monter le capot et tous les dispositifs de sécurité et de protection.




 **Préservation de l'environnement**
Ce symbole fournit des indications sur l'utilisation de la machine dans le respect de l'environnement.

 **Informations importantes**
Ce symbole fournit des informations qu'il faut toujours garder à l'esprit.


Mise en garde
Les brûleurs Ecoflam ont été conçus et construits dans le respect des réglementations et des directives actuelles

 **Tous les brûleurs sont conformes aux réglementations relatives à la sécurité et aux économies d'énergie dans la limite du domaine d'utilisation déclaré.**

 **Le brûleur ne doit pas être utilisé en dehors de la plage de travail.**

La qualité du produit est garantie par le système de certification conformément à la norme ISO 9001:2008.

Les brûleurs MAX GAS sont conçus pour la combustion de gaz naturel et de gaz propane, avec faibles rejets polluants.

 **Les brûleurs répondent à la norme EN 676. Le montage, la mise en route et l'entretien ne peuvent être exécutés que par des spécialistes autorisés, dans le respect des directives et prescriptions en vigueur.**

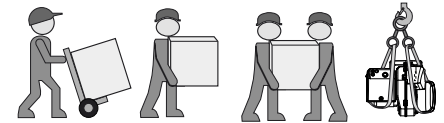
Emballage et manutention

Manipuler le brûleur encore emballé avec un chariot ou un chariot élévateur, en faisant attention à ne pas le laisser tomber à plus de 20 cm du sol. Après avoir enlevé l'emballage, vérifier que le contenu est intact et correspond au produit commandé. En cas de doute, contacter le producteur.



L'installation du brûleur doit être effectuée par un personnel agréé.

Si la taille et le poids ne permettent pas un levage manuel, se faire aider par un autre



opérateur, ou utiliser un dispositif de levage, en élinguant le brûleur avec les courroies si les œilletons ne sont pas disponibles.



Utiliser les accessoires fournis (bride, joint, boulons et écrous) pour installer le brûleur sur la chaudière, en prenant soin de ne pas endommager le joint isolant.

Lieu d'installation

Effectuer les opérations d'installation après avoir nettoyé tout autour de la zone destinée.



Éliminer complètement tous les résidus d'emballage en les triant par type de matériau.



Le brûleur ne doit pas être mis en service dans des locaux exposés à des vapeurs agressives (p. ex. laque pour cheveux, tétrachloréthylène, tétrachlorure de carbone), poussières importantes ou humidité de l'air élevée (p. ex. dans des buanderies). Le local d'installation doit être correctement aéré de manière à garantir les conditions pour une bonne combustion.



Les dommages résultant des causes suivantes ne pourront pas être couverts par la garantie:
- utilisation inappropriée.
- installation et/ou remise en état erronées par l'acheteur ou par un tiers, y compris la mise en place de pièces d'autres origines.

Remise de l'installation et conseils d'utilisation

L'artisan qui réalise l'installation doit donner à l'utilisateur, au plus tard au moment de la réception de l'installation, les notices d'utilisation et d'entretien. Elles doivent être conservées bien visibles dans la chaufferie. L'adresse et le numéro d'appel de la station-service la plus proche doivent y être inscrits.

Contenus généraux - Description du brûleur

Description du brûleur

Le brûleur MAX GAS PAB sont des appareils monoblocs à deux allures, dont le fonctionnement est entièrement automatique. La géométrie de la tête de combustion permet d'obtenir de faibles niveaux de NOx et d'imbrûlés, pour un meilleur rendement du générateur. Les émissions peuvent différer de celles recensées dans le laboratoire d'essai puisque cela dépend beaucoup du générateur sur lequel le brûleur est installé. L'installateur doit respecter les normes en vigueur. Par exemple, éviter les locaux dangereux et non ventilés.

Etiquette techniques

L'altération, le démontage ou l'absence de brûleur à plaques ou tout élément ne permettant pas l'identification du brûleur en toute sécurité rendra difficile les travaux d'installation et d'entretien.

Conseils à l'utilisateur

L'installation doit être vérifiée au moins une fois par an par un spécialiste. Pour en garantir l'exécution régulière, la conclusion d'un contrat d'entretien est fortement conseillée. contract to guarantee regular servicing.

MAX GAS 350 E PAB TC

NOM

MAX GAS Gaz

MODÈLE

MAX GAS 350 350 kW

ÉMISSIONS

E ErP version

LN Low NOx

TYPE DE FONCTIONNEMENT

P 1 allure

PAB 2 allure

TYPE TETE

TC Tête courte

TL Tête longue

COMBUSTIBLE

Gaz Naturel

LPG Gaz Propane



Pour toute autre utilisation, l'autorisation d'Ecoflam est requise.

Emballage

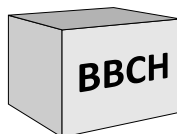
Le brûleur est livré avec un système modulaire d'emballage (boîtes séparées):

BBCH: Brûleur avec une tête de combustion et une bride.

- 1 sachet : - manuel technicien dans multilingue.
- vis, écrous et rondelles.

GT: Rampe gaz séparée

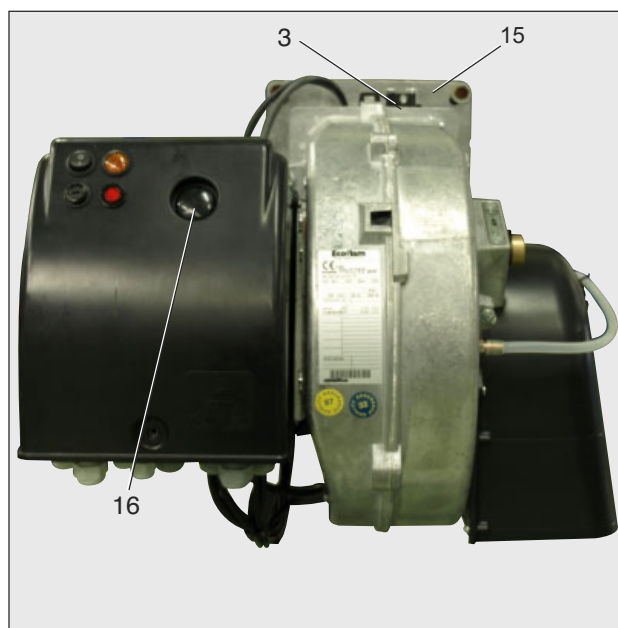
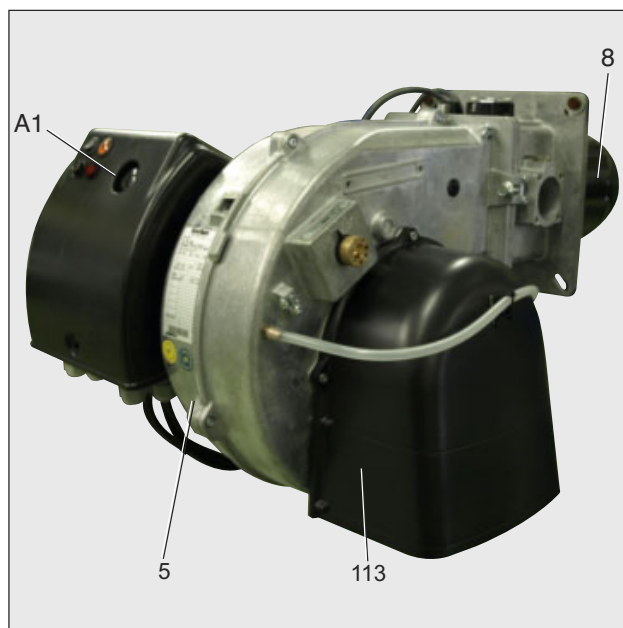
KIT & ACS commandés et livrés séparément



KIT & ACS commandés et livrés séparément



- A1 LME22 Coffret de commande et de sécurité gaz.
- 3 Régulation de l'air dans la tête de combustion.
- 5 Fusion
- 8 Gueulard
- 15 Bride du brûleur
- 16 Bouton de déblocage
- 113 Volet d'air



Fonction - Fonctions générales de sécurité

Description du fonctionnement

Lors de la première mise sous tension, après une coupure de tension ainsi qu'une mise en sécurité, après une coupure de gaz ou après un arrêt de 24 heures commence un temps de pré ventilation de 30 sec.

Pendant le temps de préventilation:

- la pression d'air est surveillée.
- contrôle de la présence d'éventuels signaux de flamme anormaux.

Après l'écoulement du temps de préventilation

- l'allumeur est mis en circuit.
- l'électrovanne principale et de sécurité est ouverte.
- démarrage du brûleur.

Surveillance

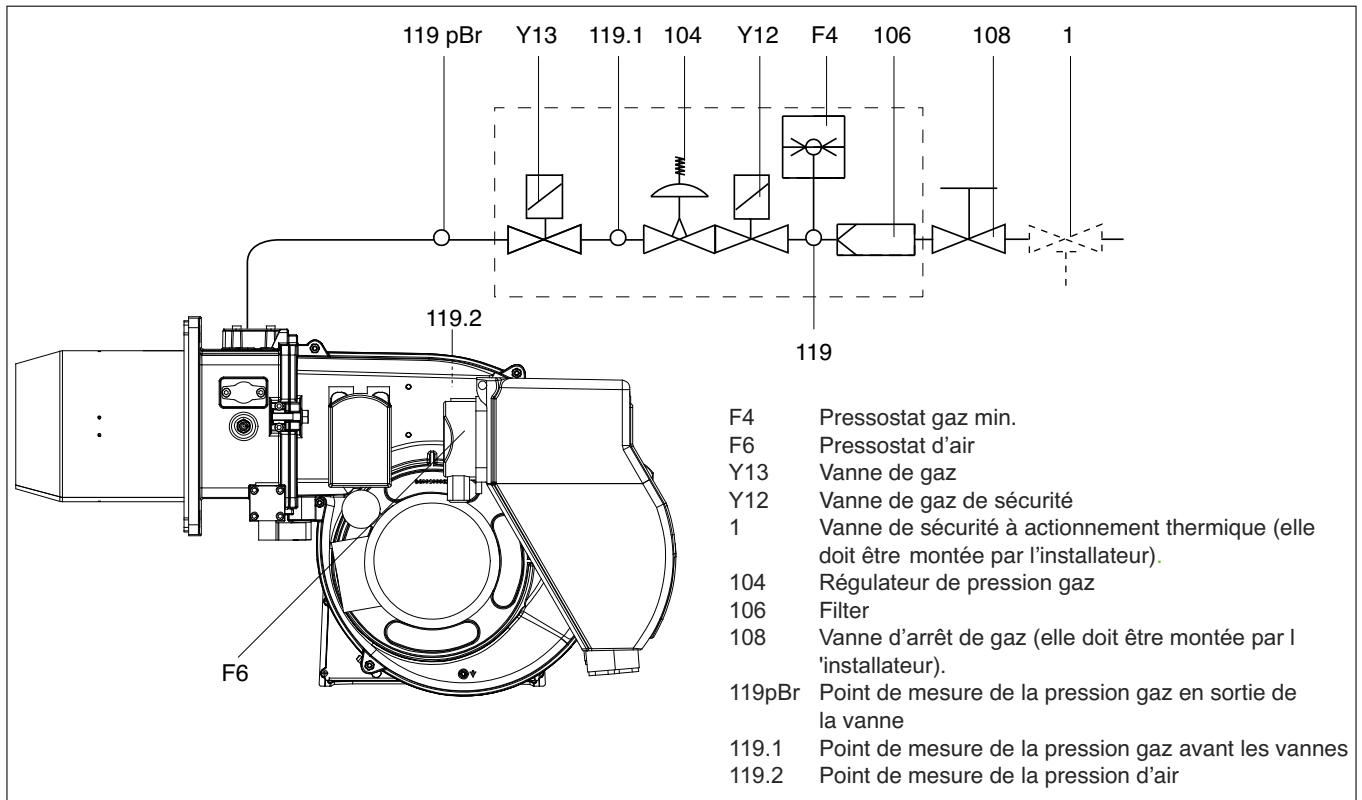
La flamme est surveillée par une sonde d'ionisation. La sonde est montée de façon isolée sur la tête gaz et est dirigée à travers le déflecteur dans la zone de la flamme. La sonde ne doit pas avoir de contact électrique avec des pièces mises à la terre. Si un court-circuit apparaît entre la sonde et la masse du brûleur, le brûleur se met en défaut. En fonctionnement, une zone ionisée naît dans la flamme gaz à travers laquelle un courant redressé circule de la sonde vers le tube du brûleur.

Fonctions de sécurité

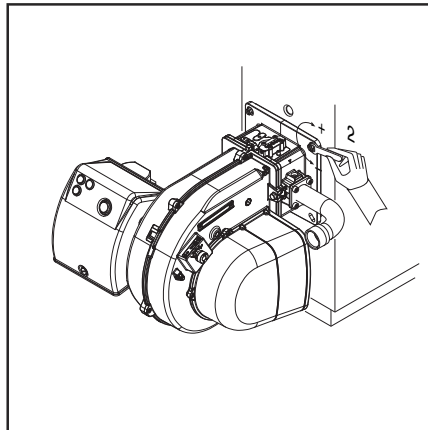
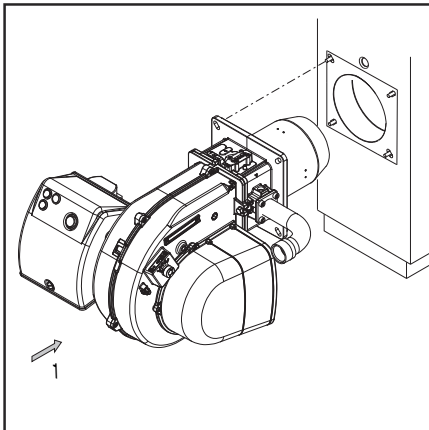
- Si aucune flamme ne se forme au démarrage du brûleur (libération du gaz), le brûleur est coupé après écoulement du temps de sécurité, la vanne gaz se ferme.
- En cas de défaillance de la flamme pendant le fonctionnement, l'alimentation en gaz est interrompue et l'unité de commande et le contrôle passe au bloc.
- En cas de manque d'air pendant la préventilation ou le fonctionnement, l'unité de commande et le contrôle passe au bloc.
- En cas de manque de gaz, le brûleur ne se met pas en fonctionnement et/ ou s'arrête.

Lors de l'arrêt de régulation

- Le thermostat de régulation interrompt la demande de chauffe.
- Les vannes gaz se ferment.
- La flamme s'éteint.
- Le moteur de ventilation s'arrête.
- Le brûleur est prêt à fonctionner.



Installation - Montage du brûleur



Montage du brûleur

Le brûleur est fixé à la bride de fixation et, par conséquent, à la chaudière ; de cette manière, la chambre de combustion est fermée hermétiquement.

Montage:

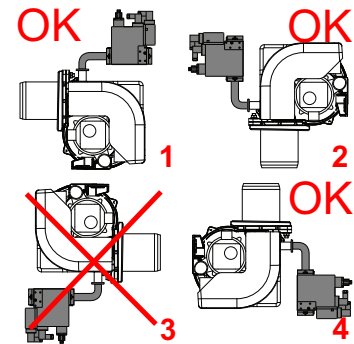
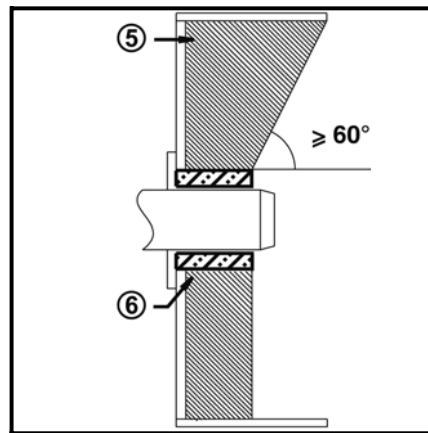
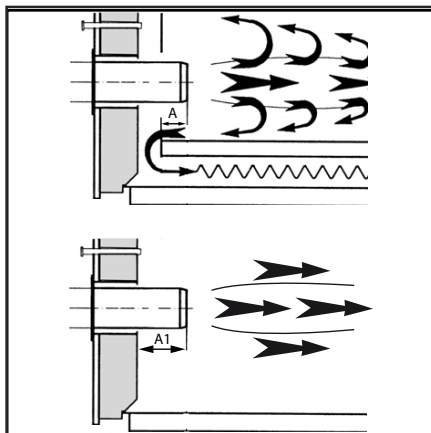
- Fixer la bride de fixation à la chaudière au moyen des vis.

Démontage :

- Desserrer le vis.
- Extraire le brûleur de la chaudière.



Installer le brûleur sur la chaudière en respectant la position de montage indiquée. Las installation 3 est interdite pour des raisons de sécurité.



Ligne d'alimentation en gaz

Dans l'installation de la ligne d'alimentation et de la rampe de gaz, il y a lieu de respecter les consignes de l'EN676. D'autres accessoires devront être montés par l'installateur pour satisfaire à d'éventuelles réglementations locales.



Sous la responsabilité de l'installateur, il est obligatoire d'installer un ou des support(s) additionnel(s) de façon à ne pas surcharger le corps avec la charge des accessoires, tuyaux et autres éléments installés en amont de la rampe de gaz. Le corps du brûleur est conçu pour soutenir seulement le poids de sa propre rampe gaz et des raccords entre celle-ci et le corps du brûleur.

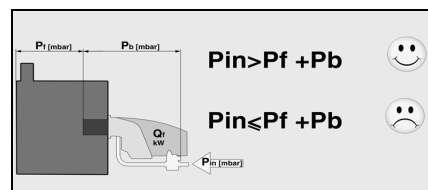
doit être montée en amont de la rampe gaz.

LÉGENDE

Pf: contre-pression dans la chambre de combustion.

Pb: pression du brûleur (tête de combustion + rampe gaz complète)

Pin: pression d'entrée gaz minimale



Profondeur de montage du tube du brûleur et garnissage en maçonnerie

Pour les générateurs sans paroi avant refroidie et en l'absence d'indications contraires par le constructeur de la chaudière, il est nécessaire de réaliser un garnissage en maçonnerie ou une isolation (5) selon la figure ci-contre. Le garnissage en maçonnerie ne doit pas déborder la bordure avant du gueulard et sa dépouille conique ne doit pas dépasser 60°. L'interstice d'air (6) doit être comblé avec un matériau d'isolation élastique et ininflammable.

Dans les chaudières, la profondeur de pénétration du tube de flamme doit être respectée tout en tenant compte des indications du constructeur de la chaudière.

Chaudières à foyer borgne :

A = 50-100 mm.

Chaudières à trois passes :

A1 = 50-100 mm.

Installation de la rampe de gaz



La rampe de gaz est fournie séparément. Se reporter à la notice de la rampe de gaz pour son montage.

Prescriptions d'ordre général pour le raccordement gaz

- Le raccordement de la rampe gaz au réseau de gaz ne peut être réalisé que par un technicien spécialiste agréé.
- La section de la tuyauterie de gaz doit être réalisée de telle sorte que la pression d'alimentation gaz ne tombe pas en dessous de la valeur prescrite.
- Une vanne manuelle d'arrêt (non fournie)

TRANSFORMATION AU GPL

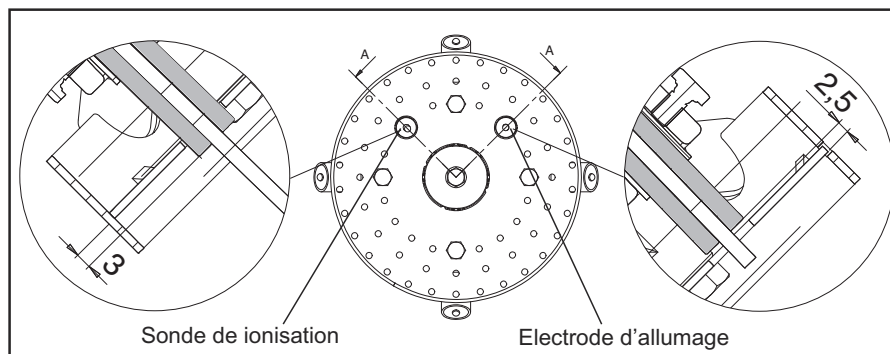
KITLPG-MAXGAS...

Pour travailler avec le GPL, il faut acheter le kit GPL et le monter en respectant les instructions ci-jointes.

Mené des fumées

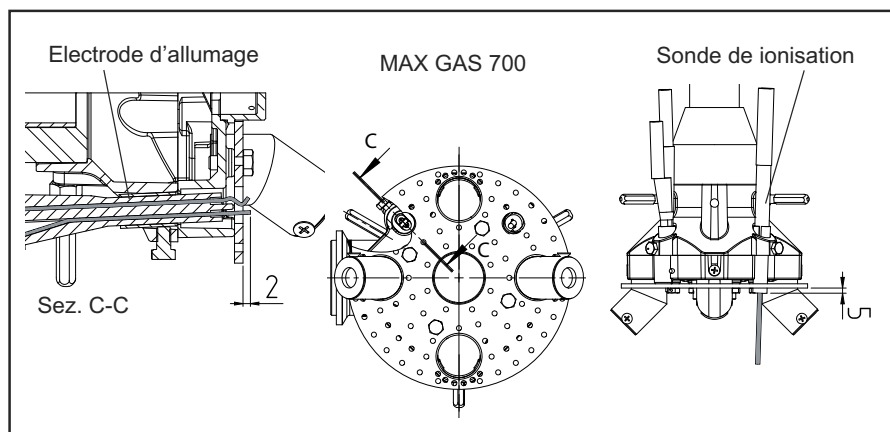
Au fin d'éviter du bruit non désirées, il est recommandé d'éviter les pièces de raccordement à angles droits lors du raccordement de la chaudière à la cheminée.

Installation - Raccordement électrique - Contrôles avant la mise en service



Sonde de ionisation

Electrode d'allumage



Electrode d'allumage

MAX GAS 700

Sonde de ionisation

Sez. C-C

Raccordement électrique

L'installation électrique et les travaux de raccordement doivent être réalisés exclusivement par le personnel qualifié et autorisé. Les prescriptions et directives en vigueur doivent être respectées.

L'installation d'alimentation devra être munie d'un interrupteur différentiel de type A.

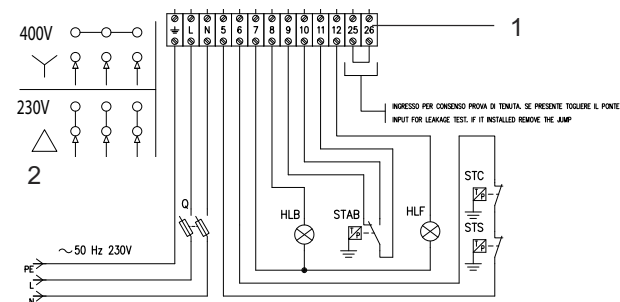
Respecter obligatoirement les prescriptions et les directives en vigueur, outre le schéma électrique fourni avec le brûleur!

• Vérifier si la tension électrique d'alimentation correspond à la tension indiquée dans le schéma électrique et sur la plaque signalétique.

Fusible sur la chaudière: 5 A

Raccordement électrique par connecteurs

Le brûleur doit pouvoir être déconnecté du réseau à l'aide d'un dispositif de coupure omnipolaire conforme aux normes en vigueur. Le brûleur et le générateur de chaleur (chaudière) sont reliés entre eux par au bornier (fig.1).



Raccordement de la rampe de gaz

Raccorder la rampe de gaz aux prises situées sur le brûleur.

Les brûleurs sont fabriqués avec d'appropriées connexions d'alimentation 380-400 V triphasées.

Les brûleurs équipés de moteurs électriques d'une puissance égale ou inférieure à 3 kW peuvent être adaptés à l'alimentation 220-230 V (suivre les instructions au verso); les moteurs de puissance supérieure peuvent seulement fonctionner 380-400 V phase.

En cas de demande de brûleurs avec des standards différents par rapport à ceux dessus mentionnés, il est recommandé d'en faire mention spécifique dans la commande.

Instructions: adapter les moteur électriques d'une puissance égale ou inférieure à 3 kW à l'alimentation 220-230 V

Il est possible de modifier la tension du brûleur de la manière suivante:

1. changer le lien à l'intérieur de la boîte du moteur électrique: d'étoile en triangle (voir fig. 2);
2. modifier le réglage du relais thermique, se référant aux valeurs d'absorption indiquées sur

la plaque signalétique du moteur. Si nécessaire, remplacer le relais thermique avec un autre d'échelle appropriée.

Cette opération n'est pas possible sur les moteurs supérieurs à 3 kW.

Pour plus de renseignements, s'il vous plaît contacter le personnel Ecoflam.

Position électrodes

Toujours vérifier la position des électrodes après leur remplacement ou le montage du KIT LPG. Une position erronée des électrodes pourrait causer des problèmes d'allumage ou de révélation.

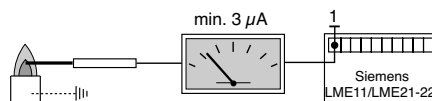
Contrôles avant la mise en service

Il convient de contrôler les points suivants avant la première mise en service.

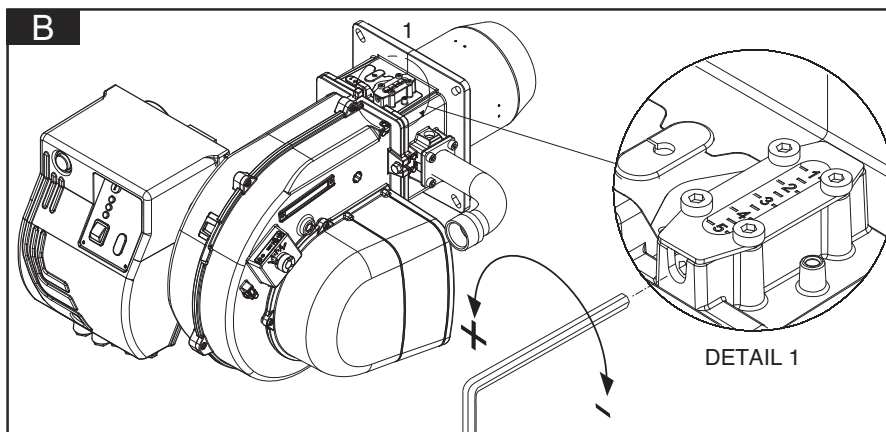
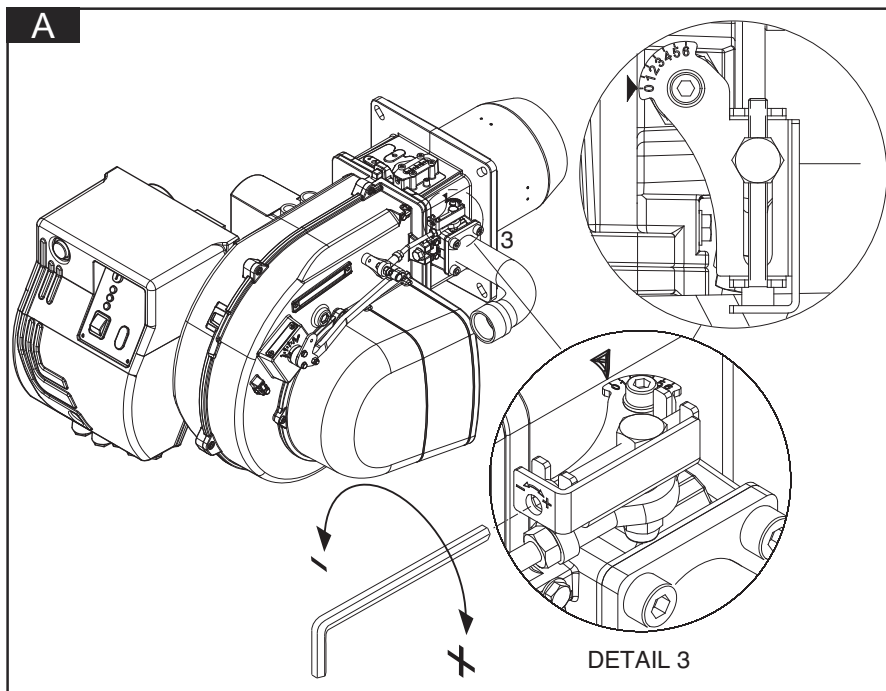
- Montage du brûleur conformément aux présentes instructions.
- Préréglage du brûleur conformément aux indications du tableau de réglage.
- Réglage des organes de combustion.
- Le générateur de chaleur doit être prêt à fonctionner, les prescriptions d'exploitation du générateur de chaleur doivent être respectées.
- Toutes les connexions électriques doivent être réalisées correctement.
- Le générateur de chaleur et les données de réglage ci-dessus sont des réglages de base. Les données de réglage d'usine sont encadrées en gras et sur fond gris. Dans un cas normal, ces réglages permettent la mise en service du brûleur. Vérifier en tout état de cause soigneusement les valeurs de réglage. En général, en fonction de l'installation, des corrections doivent être apportées.
- Le système de chauffage sont remplis d'eau, les pompes de circulation sont en service.
- Le régulateur de température, le régulateur de pression, la protection contre le manque d'eau et les autres dispositifs de limitation et de sécurité éventuellement présents sont raccordés et opérationnels.
- La cheminée doit être dégagée et le dispositif d'air additionnel, si présent, en fonctionnement.
- Un apport d'air frais suffisant doit être garanti.
- La demande de chaleur doit être présente.
- Une pression de gaz suffisante doit être disponible.
- Les conduites de combustible doivent être montées dans les règles de l'art, leur étanchéité contrôlée et être purgées.
- Un point de mesure conforme aux normes doit être présent, le conduit de fumée jusqu'au point de mesure doit être étanche, de telle manière que les résultats de mesure ne soient pas faussés.

Mesure du courant d'ionisation

Avec le brûleur éteint, brancher un micro-ampèremètre à courant continu. Avec le brûleur en fonction, et dûment régulé, la valeur lue doit être stable et ne jamais être inférieure à 3 μ A.



Mise en service - Réglage du brûleur

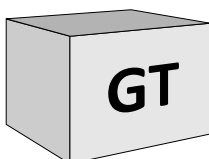


Servomoteur air SQN75

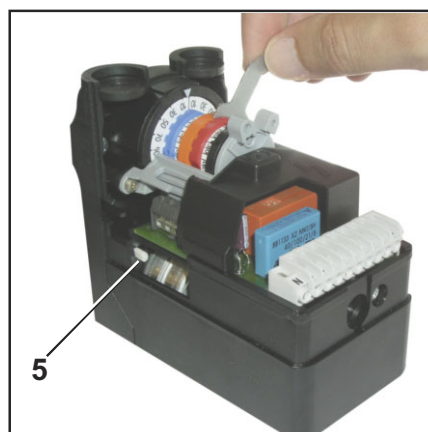
Enlever le couvercle pour accéder aux cames. Réguler les cames à l'aide de la clé appropriée(en dotation) et du tournevis.

- I - Came de régulation (BLEUE) pour la position du clapet d'air à extinction du brûleur (fermer total 0°).
- II - Came de régulation (ORANGE) pour l'ouverture en allumage et 1e Allure (avec le tournevis).
- III - Came de régulation (ROUGE) pour la position d'ouverture en 2e Allure (puissance max.).
- IV - Came de régulation (NOIRE) pour le consentement à l'ouverture de l'électrovanne de 2e Allure.

(5): BOUTON DE DEBRANCHEMENT



i Réglage de la vanne de gaz
Régler les vannes de gaz en fonction des instructions du manuel de la rampe de gaz.



! DANGER **Risque de déflagration:**
Contrôler en permanence le CO, le CO2 et les émissions de fumée pendant le réglage. En cas de formation de CO, optimiser les valeurs de combustion. La teneur en CO ne doit pas dépasser 50 ppm.

Optimisation des valeurs de combustion

Le calibrage d'usine devra être modifié en fonction de la puissance requise.

! WARNING **Attention:** en cas d'installation sur une chaudière, respecter la température minimale des fumées d'évacuation en fonction des indications du fabricant de la chaudière et selon les exigences du système d'évacuation des fumées, afin d'éviter la formation de condensation.

i **Mise en garde : L'enregistrement des données initiales de mise en service est recommandé.**

Brûleur version "PAB" assemblage et réglage de la rampe gaz (A)

Monter la rampe gaz sur le brûleur en serrant les 4 vis de la bride et en faisant attention au positionnement correct du joint (O-ring). Raccorder électriquement la rampe gaz avec les 2 connecteurs de la vanne (noir) et pressostat gaz (gris). Démarrer le brûleur (il a été testé en usine et est par conséquent pré réglé) et vérifier l'étanchéité des raccordements gaz de l'installation. Afin d'adapter le brûleur à la puissance de la chaudière agir comme suit:

Réglage de la combustion du brûleur bistade (version PAB)

Suivre les opérations indiquées ci-après :

Réglage de la puissance maximale :

1) positionner le volet d'air sur l'ouverture maximale (90°, grâce à le dispaly. Uniquement pour les puissances distribuées particulièrement basses, si la réduction de l'air effectuée avec la tête sur la position 1 ne suffit pas, réduire l'ouverture du volet d'air).

2) doser l'air en déplaçant la tête de combustion (figure) selon la puissance requise (comme l'exemple sur la figure).

3) doser le gaz en agissant sur le réglage de la rampe du gaz (voir la figure sur la notice de la rampe).

Réglage de la flamme basse :

1) après avoir réglé la puissance maximale et, donc, après avoir déterminé la pression de travail du gaz sur la tête, positionner le volet sur une flamme basse à 25°, grâce à le dispaly et doser le gaz à l'aide de la vis de réglage placée sur la vanne papillon du gaz . (figure)

2) Si la charge minimale ainsi obtenue est trop basse pour le générateur, augmenter l'ouverture du volet d'air, en réglant le débit du gaz sur la vanne papillon jusqu'à ce que l'on obtienne la puissance minimale adéquate.

Régulation de la tête de combustion (B).

Agir sur les vies en figure:

- tourner avec une clé hexagonale jusqu'à la valeur souhaitée (index de 1 à 5).

Mise en service - Régulation des pressostat air et gaz

Réglage du pressostat d'air

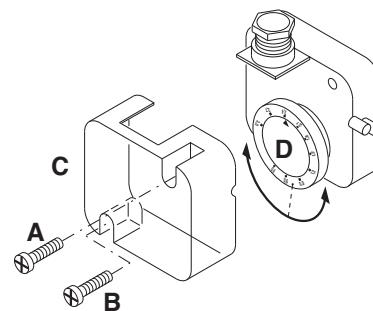
Le pressostat d'air contrôle la pression de l'air de ventilation.

Dévisser les vis A et B et enlever le couvercle C.

Après avoir calibré l'air et le gaz, alors que le brûleur fonctionne, tourner lentement la bague D dans le sens des aiguilles d'une montre jusqu'à l'arrêt de blocage du brûleur. Lire la valeur indiquée sur la bague et la réduire de 15%.



ATTENTION: le pressostat évitera que la pression de l'air ne descende sous 85% de la valeur programmée, en évitant ainsi que le CO des fumées ne dépasse 1%(10000 ppm).

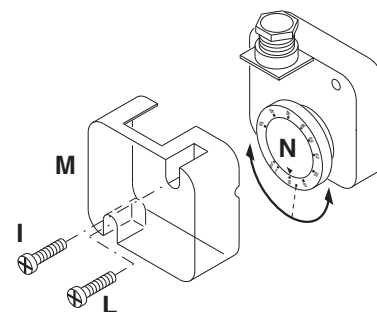


Réglage du pressostat du gas min.

Le pressostat gaz mini a la fonction de vérifier que la pression du gaz avant la vanne soit à la valeur minimale pour que le brûleur fonctionne correctement.

Dévisser les vis I et L et enlever le couvercle M. - Positionner le régulateur N à un valeur équivalent au 60% de la pression nominale d'alimentation du gaz(par ex.: pour gaz nat. avec pression nom. de 20 mbar, positionner le régulateur à une valeur de 12 mbar; pour G.L.P. avec pression

nom. G31 30/37 mbar, positionner le régulateur à 18 mbar). - Remonter le couvercle M et visser les vis I et L.



Contrôle de fonctionnement

Il convient de procéder à un contrôle de sécurité de la surveillance de flamme aussi bien lors de

la première mise en service qu'après des révisions ou un arrêt prolongé de l'installation.

- Essai de démarrage avec la vanne de

gaz fermée: L'appareillage de contrôle devra signaler le non fonctionnement par absence de gaz ou se bloquer une fois le temps de sécurité écoulé.



Enregistrement des données de mise en service

Test	n°1	n°2	n°3	n°4
Data				
Modèle				
Type de gaz				
Valeur calorifique du gaz				
Pression de l'entrée du gaz mbar				
Réglage de la pression du gaz				
Débit volumétrique du gaz Nm ³ /h				
Puissance du brûleur min kW				
Puissance du brûleur max kW				
Température fumée C°				
Température de l'air C°				
CO ₂ %				
CO ppm				
NOx ppm				
Rendement %				
Action corrective				
Nom de l'opérateur				
Entreprise				

Maintenance - Entretien

Les travaux d'entretien sur la chaudière et sur le brûleur ne doivent être exécutés que par un spécialiste en chauffage. Afin d'assurer des opérations d'entretien régulières la souscription d'un contrat d'entretien doit être recommandée à l'utilisateur de l'installation.

L'opérateur a l'obligation d'utiliser l'équipement nécessaire pour le déroulement activités de maintenance.



Attention



- Avant toute intervention d'entretien et de nettoyage, couper l'alimentation électrique.
- L'gueulard et les composants de la tête peuvent être chauds.

Contrôle des températures des gaz de combustion

- Contrôler régulièrement la température des gaz de combustion.
- Nettoyer la chaudière lorsque la température des gaz de combustion dépasse la valeur à la mise en service

de plus de 30°C.

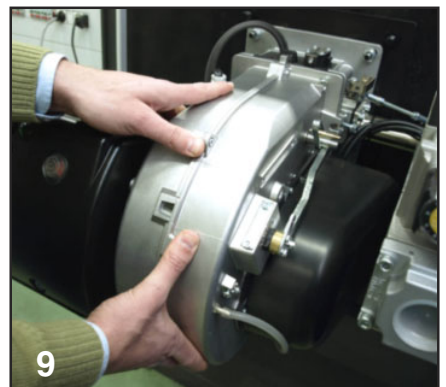
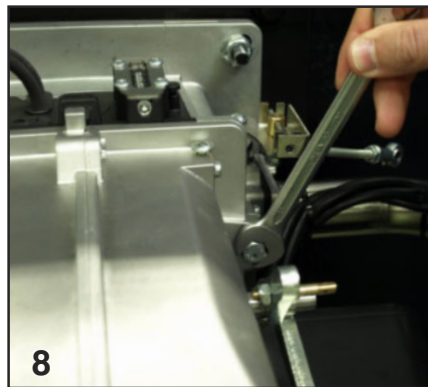
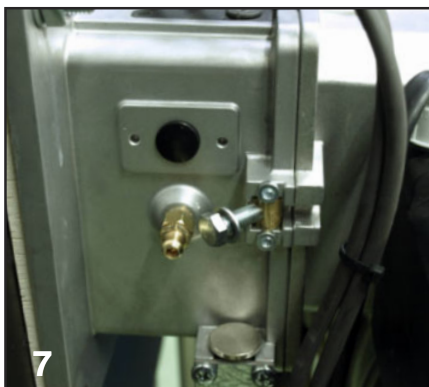
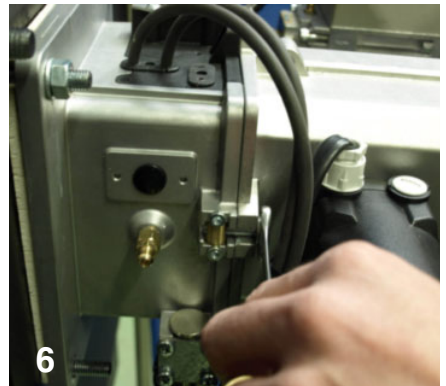
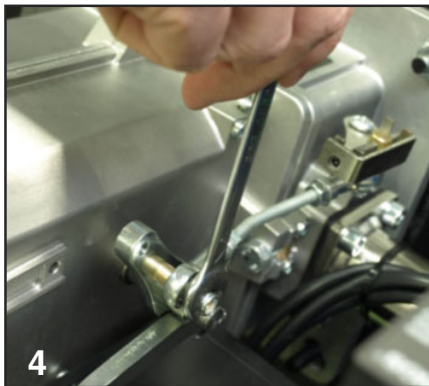
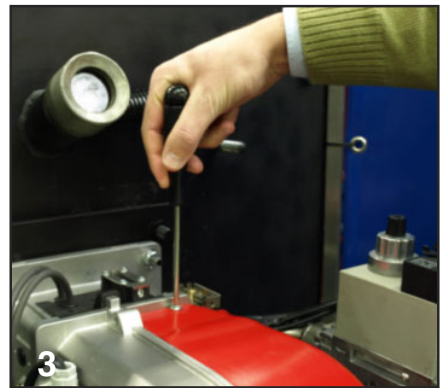
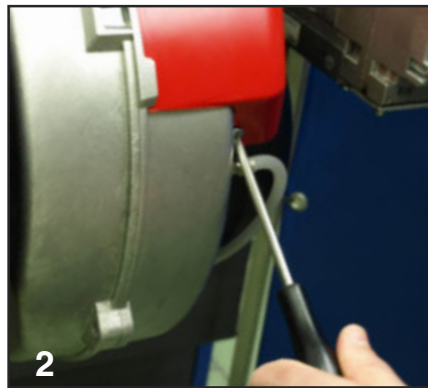
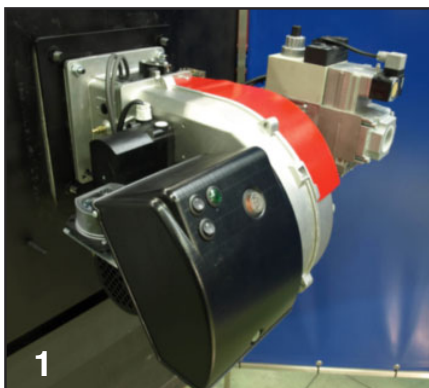
- Utiliser un afficheur de température des gaz de combustion pour faciliter le contrôle.



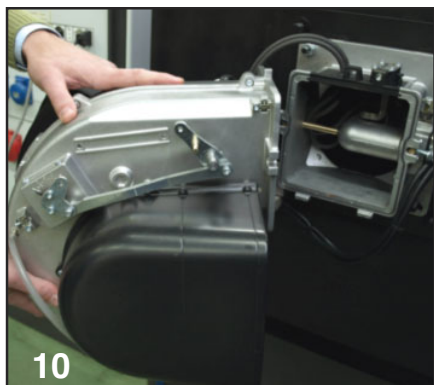
Après avoir effectué toutes les opérations d'entretien, de nettoyage ou de contrôle, remonter le capot et tous les dispositifs de sécurité et de protection du brûleur.

Demontage tête de combustion

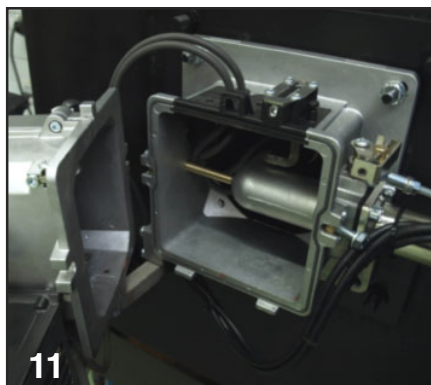
- Voir les photos dans l'ordre.



Maintenance - Entretien



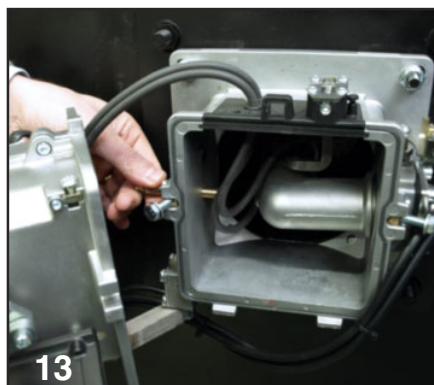
10



11



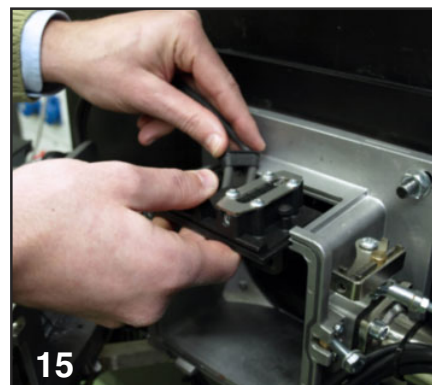
12



13



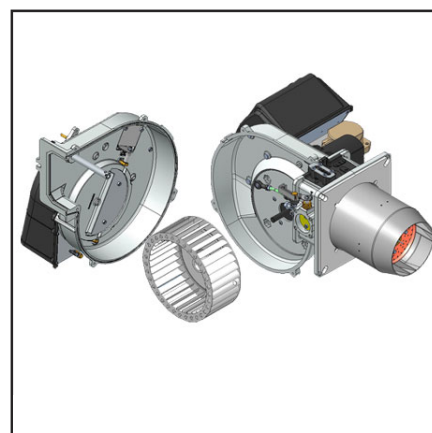
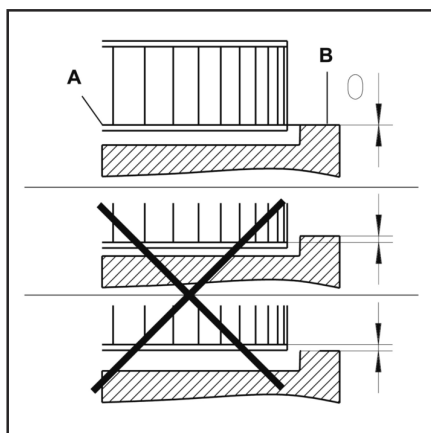
14



15



16

**Montage de la turbine**

Lors du changement du moteur ou de la turbine, se référer au schéma de positionnement.

Le flasque interne **A** de la turbine doit être aligné avec la platine **B**. Insérer un réglé entre les aubes de la turbine et amener **A** et **B** à la même hauteur, serrer la vis sans tête avec une encoche sur le ventilateur (position d'entretien 1).

**Positions d'entretien**

- Tous les composants d'alimentation en combustible (flexibles, canalisations) et leurs accouplements respectifs devraient être vérifiés (étanchéité, usure) et changés si nécessaire.
- Vérifier toutes les connexions électriques et les câbles, et les remplacer si nécessaire.
- Vérifier le filtre gaz, le cas échéant le nettoyer ou le remplacer.
- Nettoyer la turbine et le carter, et vérifier qu'ils ne sont pas endommagés.
- Vérifier et nettoyer la tête de combustion.
- Vérifier les électrodes, les régler ou les remplacer si nécessaire.
- Démarrer le brûleur, vérifier la combustion, et corriger les réglages du brûleur si nécessaire.
- Vérifier le manostat d'air et le manostat

gaz.

- Vérifier l'aptitude au réglage de la rampe gaz.
- Contrôler le fonctionnement.

Maintenance - Problèmes possibles

Causes et élimination des anomalies

En présence d'anomalies, es conditions de fonctionnement normal doivent être vérifiées:

1. Y a-t-il du courant?
2. Y a-t-il de la pression de gaz?
3. Est-ce que le robinet d'arrêt du gaz est ouvert ?
4. Tous les appareils de régulation et de sécurité tels que thermostat de chaudière, protection contre le manque d'eau, interrupteur de fin de course, sont-ils réglés?

Au cas où, après je contrôle des points susdits, l'anomalie persistait, employer le suivant tableau.



Les composantes de sécurité ne doivent pas être réparés, mais plutôt ils doivent être substitué avec des composantes rapportant le même code article.



Utiliser exclusivement des pièces de rechange d'origine.



En cas d'arrêt du brûleur, afin d'éviter des dommages à l'installation, ne pas débloquent le brûleur plus de deux fois de suite. Si le brûleur se met en sécurité pour la troisième fois, contacter le service d'assistance.

NB: Après toute intervention contrôler:

- es valeurs de combustion en conditions de exercice (porte de la locale chaudière éclose, couverture montée, etc).
- enregistrer les valeurs de combustion dans le livret de central.

Maintenance

Contrôle annuel

Le contrôle périodique du brûleur (tête de combustion, électrodes, etc.) doit être effectué, par un technicien autorisé, une ou deux fois par an, suivant l'utilisation. Avant de procéder au contrôle pour la maintenance du brûleur, il est souhaitable de contrôler l'état général du brûleur et d'effectuer les opérations suivantes:

- Débrancher le brûleur (enlever la prise).
- Fermer le robinet d'arrivée du gaz.
- Enlever le couvercle du brûleur, nettoyer le ventilateur et l'aspiration de l'air.
- Nettoyer la tête de combustion et contrôler la position des électrodes.
- Remonter les pièces.
- Contrôler l'étanchéité des raccords gaz.
- Contrôler la cheminée.
- Faire redémarrer le brûleur.
- Contrôler les paramètres de la combustion.

Avant chaque intervention contrôler:

- Qu'il y ait du courant électrique dans l'installation et que le brûleur soit branché.
- Que la pression du gaz soit correcte et que le robinet d'arrivée du gaz soit ouvert.
- Que les systèmes de contrôle soient branchés correctement.

- Si toutes ces conditions sont accomplies, faire démarrer le brûleur en appuyant sur le bouton de déblocage.
- Contrôle le cycle du brûleur.

Le brûleur ne démarre pas:

- Contrôler l'interrupteur, les thermostats, le moteur, la pression du gaz.

Le brûleur effectue le prebalayage et se bloque a la fin du cycle:

- Contrôler la pression de l'air et le ventilateur.
- Contrôler le pressostat de l'air.

Le brûleur effectue le prebalayage et ne s'allume pas :

- Contrôler le montage et la position des électrodes.
- Contrôler le câble d'allumage.
- Contrôler le transformateur d'allumage.
- Contrôler le coffret de sécurité.

Le brûleur s'allume et se bloque apres le temps de sécurité:

- Contrôler que la phase et le neutre soient branchés correctement.
- Contrôler l'électrovanne du gaz.
- Contrôler la position de l'électrode de détection et son branchement.
- Contrôler l'électrode de détection.
- Contrôler le dispositif de sécurité.

Le brûleur s'allume et se bloque apres quelques minutes de fonctionnement :

- Contrôler le régulateur de pression et le filtre du gaz.
- Contrôler la pression du gaz avec un manomètre.
- Contrôler la valeur de détection (3 µA min.).

Tableau des codes de dérangement

Code de clignotement (LED)	«AL» sur borne 10	Cause possible
clignote 2 fois	EN	Pas de formation de flamme à la fin de "TSA" - Défaut ou encrassement vannes de combustible - sonde de flamme défectueuse ou encrassée - mauvais réglage du brûleur, pas de combustible - dispositif d'allumage défectueux
clignote 3 fois	EN	Erreur «LP» - Chute de pression d'air à l'issue de «t10», - «LP» collé en position de repos
clignote 4 fois	EN	lumière parasite au démarrage du brûleur
clignote 5 fois	EN	Surveillance du temps «Pressostat air» - «LP» collé en position travail
clignote 6 fois	EN	Libérée
clignote 7 fois	EN	Disparition de flamme trop fréquente en cours de fonctionnement (limitation des répétitions) - Défaut ou encrassement des vannes de combustible - Défaut ou encrassement de sonde de flamme - Mauvais réglage du brûleur
clignote 8 fois	EN	Libéré
clignote 9 fois	EN	Libéré
clignote 10 fois	Hors	Erreur de câblage ou défaut interne, contacts de sortie, autres défauts
clignote 14 fois	EN	Le contact CPI n'est pas fermé

Contenidos generales - índice - advertencias generales

Descripción	Declaración de conformidad	3
	Datos técnicos	4
	Ámbito de funcionamiento	5
	Dimensiones	6
Contenidos generales	índice	40
	Advertencias generales	40
	Descripción del quemador	41
Función	Funciones generales de seguridad	42
	Equipo control llama y de seguridad Siemens LME...	43
	Cuadro de mandos	43
Instalación	Montaje del quemador	44
	Conexión eléctrica	45
	Comprobaciones previas a la puesta en servicio	45
Puesta en servicio	Ajuste del quemador	46
	Ajuste de los presostatos de aire y gas	47
	Registro de los datos de puesta en funcionamiento	47
Asistencia	Conservación	48-49
	Posibles inconvenientes	50
Descripción	Esquemas eléctrico	62-67
	Piezas de recambio	68-72

Introducción

El manual de instrucciones se suministra con el quemador:

- provee indicaciones y advertencias importantes sobre la seguridad en la instalación, puesta en servicio, uso y mantenimiento del quemador.
- fue realizado para uso de personal cualificado.

Simbología utilizada en el manual



Máximo peligro, indica operaciones que pueden **causar** graves lesiones, muerte o riesgos a largo plazo para la salud, si no se realizan correctamente.



Atención, indica operaciones que **podrían causar** graves lesiones, muerte o riesgos a largo plazo para la salud, si no se realizan correctamente.



Precaución, indica operaciones que podrían causar daños a la máquina y/o a las personas.



Peligro: componentes con tensión.



Peligro: material inflamable.



Peligro: quemaduras.



Peligro: aplastamiento de las extremidades.

Obligación de montar la tapa, y todos los dispositivos de seguridad y protección.



Protección del medio ambiente
Este símbolo suministra indicaciones para usar la máquina respetando el medio ambiente.

Información importante

Este símbolo proporciona información importante a tener en cuenta.

Advertencia

Los quemadores Ecoflam se han diseñado y construido de acuerdo con las normativas y directivas corrientes.



Todos los quemadores responden a las normativas sobre la seguridad y sobre el ahorro energético en el límite del campo de trabajo declarado.



El quemador no debe funcionar por fuera del campo de trabajo.

La calidad del producto está garantizada por el sistema de certificación según la norma ISO 9001:2008.

Los quemadores MAX GAS se han concebido para la combustión de gas natural y de gas propano con bajas emisiones contaminantes.



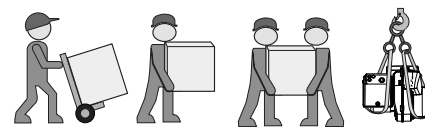
Los quemadores cumplen la norma EN 676. La instalación, la puesta en marcha y el mantenimiento deben ser realizados exclusivamente por técnicos instaladores autorizados siguiendo las directivas y recomendaciones vigentes.

Embalaje y desplazamiento

Desplace el quemador en su embalaje con una carretilla elevadora o un montacargas prestando atención a no dejarlo caer, manteniéndose a una distancia de no más de 20 cm del suelo. Después de sacar el equipo del embalaje, controle que esté íntegro y que corresponda al producto encargado. En caso de duda, póngase en contacto con el fabricante.



La instalación del quemador debe ser llevada a cabo por personal habilitado.



Si las dimensiones o el peso no permiten efectuar el levantamiento manual, pida ayuda a otro operador, o utilice un montacargas y envuelva el quemador con bandas apropiadas si no están disponibles los cáncamos.



Use los accesorios suministrados (brida, empaquetadura, pernos y tuercas) para instalar el quemador en la caldera, prestando atención a no estropear la empaquetadura aislante.

Condiciones de instalación

Instale el quemador después de realizar una cuidadosa limpieza en toda el área deseada.



Eliminar correctamente todos los residuos del embalaje diferenciando los diferentes tipos de materiales.



El quemador no se debe poner en servicio en locales expuestos a vapores agresivos (por ejemplo lacas para el cabello, tetracloroetileno, tetracloruro de carbono), con gran cantidad de polvo o alto grado de humedad del aire (por ejemplo en lavanderías). Es necesario que el local de instalación disponga de una ventilación adecuada para garantizar las condiciones para una buena combustión.



No quedan cubiertos por la garantía los daños resultantes de las siguientes causas:

- uso inadecuado.
- montaje defectuoso, instalación realizada por el comprador o un tercero, uso de piezas no originales.

Entrega de la instalación y consejos de uso

El instalador del sistema debe facilitar al usuario de la misma, como muy tarde en el momento de la entrega, las instrucciones de uso y mantenimiento. éstas deben conservarse en un lugar bien visible de la sala de calderas. Deben contener la dirección y número de teléfono del servicio de atención al cliente más cercano.

Contenidos generales - Descripción del quemador

Descripción del quemador

Los quemadores MAX GAS PAB son aparatos monobloque de dos etapa y con un funcionamiento completamente automático. La geometría del cabezal de combustión permite obtener niveles bajos de NOx y de gases no quemados, maximizando el rendimiento del generador. Las emisiones pueden ser diferentes de aquellas obtenidas en el laboratorio de prueba ya que dependen mucho del generador en el cual el quemador está instalado.

Placa de datos

La alteración, eliminación, la ausencia de la etiqueta de identificación del quemador y todo cuanto no permita la correcta identificación del quemador y dificulte los trabajos de instalación y mantenimiento.

Advertencia para el operador

Al menos una vez al año, un técnico especialista deberá revisar la instalación. Para garantizar que dicha revisión se realice de una manera regular, es muy recomendable suscribir un contrato de mantenimiento.

MAX GAS 350 E PAB TC

NOMBRE	
MAX GAS	Gas
MODELO	
MAX GAS 350	350 kW
EMISIONES	
E	ErP version
LN	Low NOx
TIPO DE OPERACIÓN	
P	1 llama
PAB	2 llama
TIPO DE CABEZA	
TC	Cabeza corta
TL	Cabeza larga
COMBUSTIBLE	
	Gas Natural
LPG	Gas Propano



Para cualquier otro uso, se requiere la autorización de Ecoflam.

Embalaje

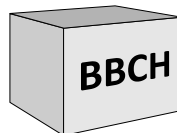
El quemador se entrega con un sistema modular de embalaje (cajas separadas) es decir, separadas set/box:

BBCH: Quemador completo con cabezal de combustión y brida.

- 1 bolsa : - manual técnico multilingüe.
- tornillo, tuercas y arandelas.

GT: Rampa de gas por separado

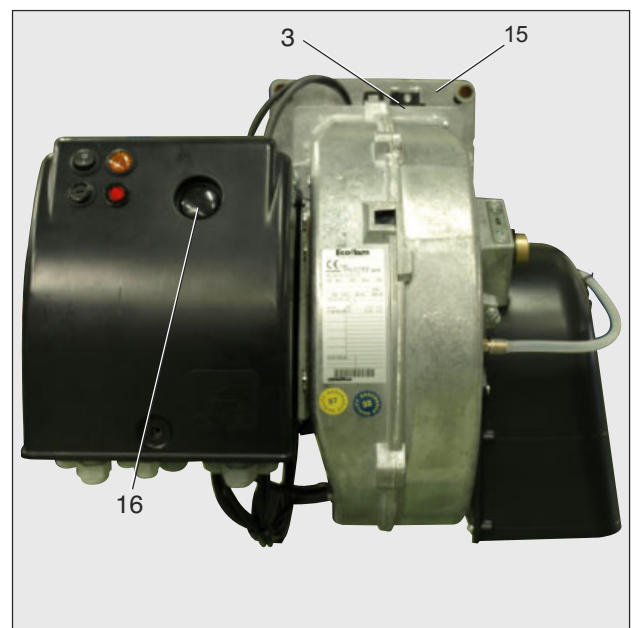
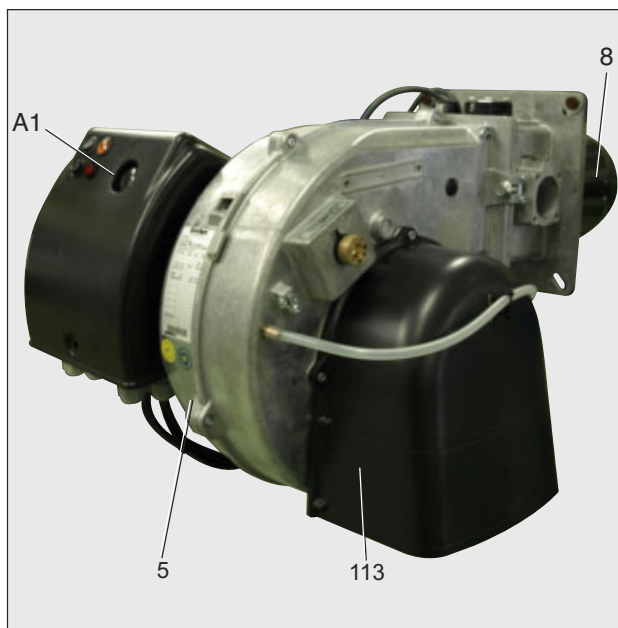
KIT & ACS disponibles y entregados por separado



KIT & ACS disponibles y entregados por separado



- A1 LME22 Cajetín de control y de seguridad gas.
- 3 Regulación del aire en la cabeza combustión.
- 5 Fusión
- 8 Tubo de llama
- 15 Brida del quemador
- 16 Botón de desbloqueo
- 113 Toma de aire



Función - Funciones generales de seguridad

Descripción del funcionamiento

Durante la primera activación, tras un corte de tensión o en caso de parada de seguridad tras una interrupción del suministro de gas o tras una parada de 24 horas, comienza un tiempo de preventilación de 30 s.

Durante el tiempo de preventilación:

- se vigila la presión de aire inyectado.
- control de la presencia de eventuales señales de llama anómalas.

Transcurrido el tiempo de preventilación

- el encendido entra en el circuito.
- la electroválvula principal y de seguridad está abierta.
- arranque del quemador.

Vigilancia

La llama se vigila por medio de una sonda de ionización. La sonda se monta, de manera que quede aislada, en el cabezal de gas y pasa a través del deflector a la zona de llama. La sonda no debe estar en contacto eléctrico con piezas que tengan toma de tierra.

Si se produce un cortocircuito entre la sonda y la masa del quemador, el quemador indicará un fallo.

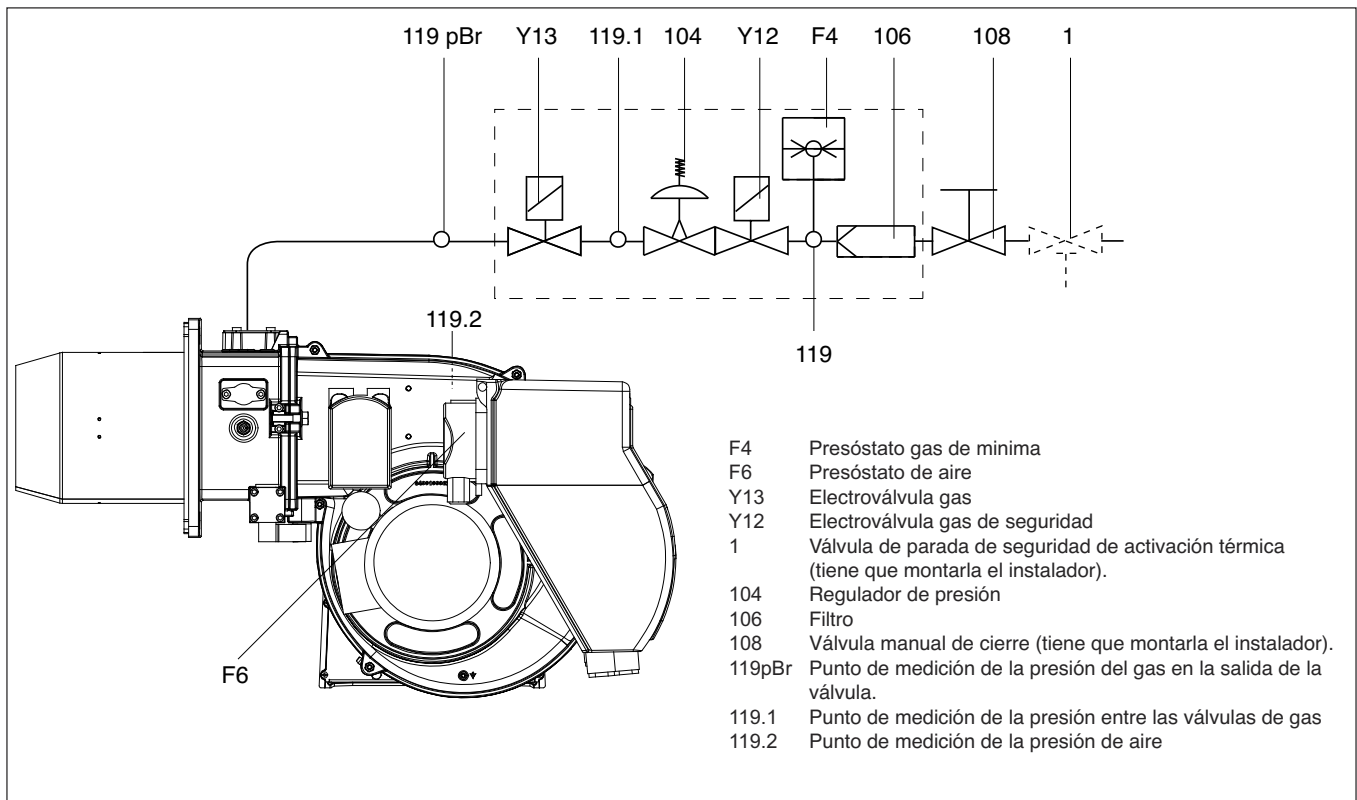
Durante el funcionamiento se crea una zona ionizada en la llama de gas. Por esta zona circula una corriente rectificadora hacia el extremo del quemador.

Funciones de seguridad

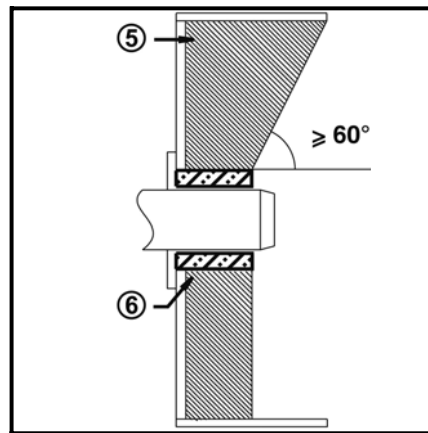
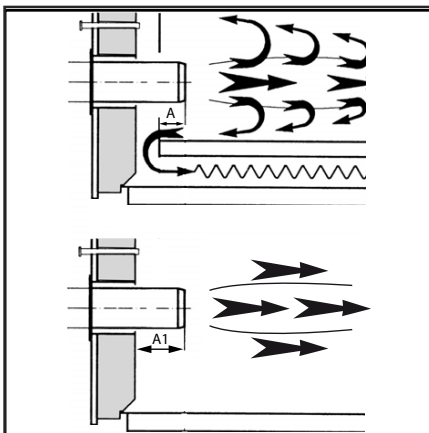
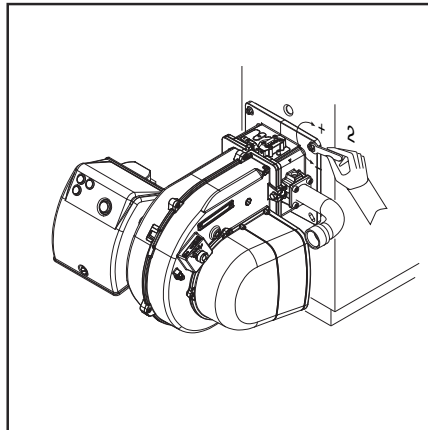
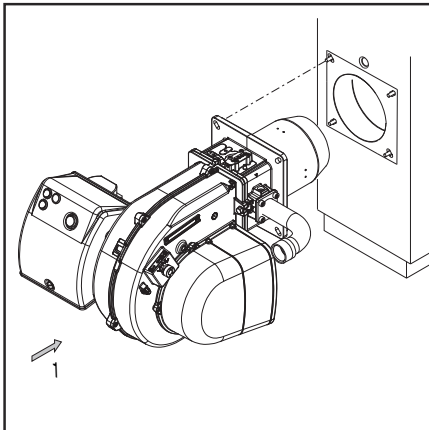
- Si no se produce llama al arrancar el quemador (salida de gas), el quemador se interrumpirá transcurrido el tiempo de seguridad y la válvula de seguridad se cierra.
- En caso de fallar la llama durante el funcionamiento, la alimentación de gas se interrumpe y la equipo control llama y de seguridad pasa al bloque.
- En caso de falta de aire durante la preventilación o el funcionamiento, y la equipo control llama y de seguridad pasa al bloque.
- En caso de falta de gas, el quemador no se pondrá en marcha o se detendrá.

Parada de ajuste

- El termostato de regulación interrumpe la solicitud de calor.
- Las válvulas de gas se cierran.
- La llama se apaga.
- El motor de ventilación se detiene.
- El quemador está listo para funcionar.



Instalación - Montaje del quemador



Montaje del quemador

El quemador se fija a la brida de encaje y por consiguiente a la caldera, de esta forma la cámara de combustión se cierra herméticamente.

Montaje:

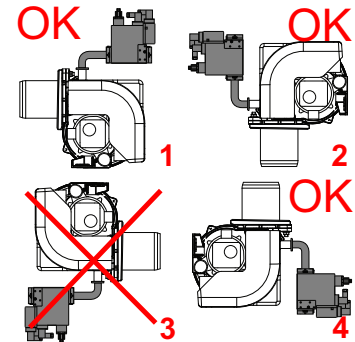
- Fijar la brida de encaje a la caldera con los tornillos.

Desmontaje:

- Aflojar el tornillo.
- Tire del quemador de la caldera.



Instale el quemador en la caldera de acuerdo con la posición mostrada. La instalación 3 está prohibida por motivos de seguridad.



Línea alimentación del gas

En la instalación de la línea de alimentación y de la rama de gas es necesario cumplir con las disposiciones de la EN676. Se tiene que instalar el Kit obligatorio EN676. El instalador tendrá que ocuparse de montar ulteriores accesorios para satisfacer eventuales normativas locales.



Es responsabilidad del instalador instalar soportes adicionales para no sobrecargar el cuerpo del quemador con el peso muerto de la rama de gas, los accesorios, los tubos, etc. El cuerpo del quemador puede soportar sólo la válvula de gas y el tubo entre la válvula de gas y el cuerpo.

Instalación de la rama de gas



La rama de gas se suministra por separado; para montarla, consulte las instrucciones del manual de la rama de gas.

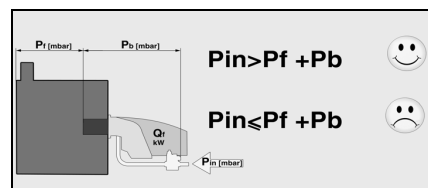
Disposiciones de tipo general para la conexión del gas

- La conexión de la rama de gas a la red del gas tiene que efectuarla exclusivamente un técnico experto autorizado.
- La sección del tubo del gas tiene que prepararse de manera que la presión de alimentación del gas no pueda disminuir por debajo del valor establecido.

- Se tiene que montar al inicio de la rama de gas una válvula de cierre manual (no suministrada).

LEYENDA

Pf: Controresión en cámara de combustión
Pb: Presión gas quemador (cabeza de combustión + rama de gas).
Pin: Presión mínima de suministro.



CONVERSIÓN DE GPL

KITLPG-MAXGAS...

Para trabajar con GPL es necesario comprar el Kit GPL y montarlo siguiendo las instrucciones adjuntas.

Profundidad de montaje del tubo del quemador y guarnecido de albañilería

Para los generadores sin pared delantera enfriada y en ausencia de indicaciones contrarias del fabricante de la caldera, es necesario realizar un guarnecido de albañilería o un aislamiento (5) según la ilustración contigua. El guarnecido de albañilería no debe sobresalir del borde delantero del tubo de llama y su concicidad no debe ser superior a 60°. El hueco de aire (6) debe rellenarse con un material de aislamiento elástico y no inflamable.

Para las calderas se debe respetar la profundidad de penetración del tubo de llama teniendo en cuenta las indicaciones del fabricante de la caldera.

Calderas con combustión inversa :

A = 50-100 mm.

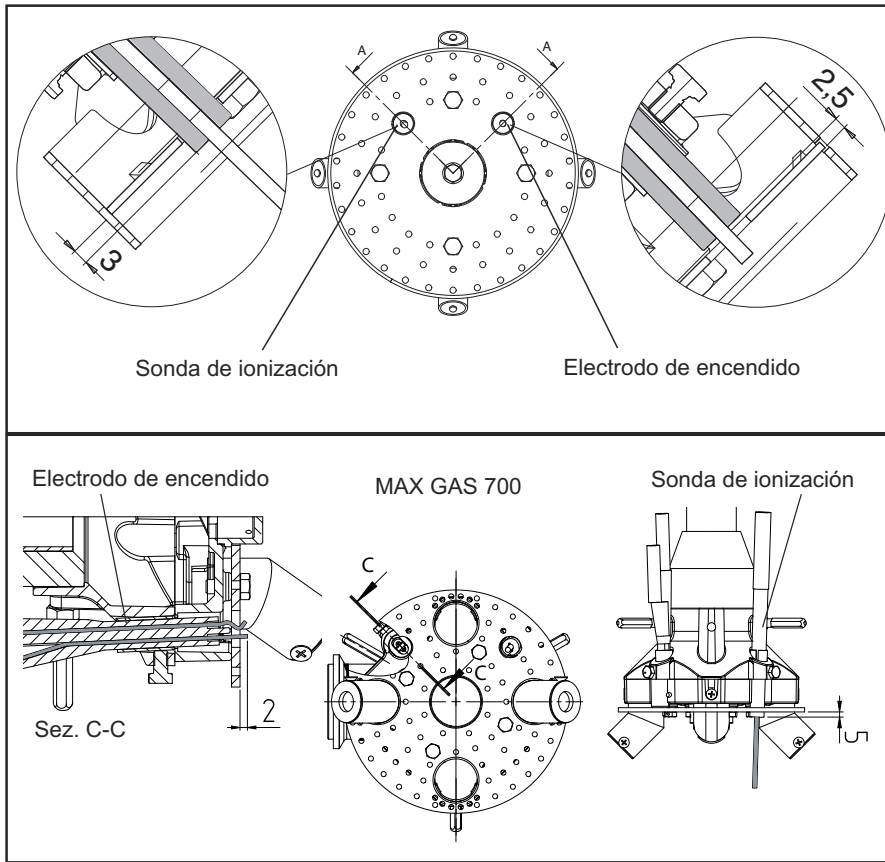
Calderas en tres pasos :

A1 = 50-100 mm.

Conducto de humo

Con el fin de evitar posibles emisiones acústicas desagradables, se recomienda evitar las piezas de conexión con ángulos rectos durante la conexión de la caldera a la chimenea.

Instalación - Conexión eléctrica - Comprobaciones previas a la puesta en servicio



2. cambiar el ajuste del relé térmico, tomando como referencia los valores de absorción indicados en la placa de datos del motor. De ser necesario, reemplazar el relé térmico con otro de escala adecuada. Esto no es posible con motores de más de 3 kW. Para más información, póngase en contacto con su persona de referencia en Ecoflam.

Posición del electrodo

Comprobar siempre la posición de los electrodos tras su sustitución o el montaje del KIT LPG. Una posición errónea puede provocar problemas de encendido o detección.

Comprobaciones previas a la puesta en servicio

Conviene controlar los siguientes puntos antes de la puesta en servicio.

- Montaje del quemador de conformidad con las presentes instrucciones.
- Ajuste previo del quemador según las indicaciones del cuadro de ajuste.
- Ajuste de los dispositivos de combustión.
- El generador de calor debe estar listo para funcionar; deben respetarse sus recomendaciones de utilización.
- Todas las conexiones eléctricas deben realizarse correctamente.
- El generador de calor y el sistema de calefacción deben estar lo suficientemente llenos de agua; las bombas de circulación deben funcionar.
- El regulador de temperatura, el regulador de presión, la protección contra la falta de agua y el resto de dispositivos de limitación y de seguridad que puedan encontrarse presentes están conectados y operativos.
- La chimenea debe estar despejada y el dispositivo de aire adicional, si se encuentra instalado, en funcionamiento.
- Se debe garantizar un aporte suficiente de aire fresco.
- La solicitud de calor debe estar presente.
- Tiene que estar disponible una presión de gas suficiente.
- Los conductos de combustible deben estar montados según las reglas del oficio, su estanqueidad comprobada y estar purgados.
- Debe existir un punto de medición conforme a las normas; el conducto de humos hasta el punto de medición debe ser estanco, de tal forma que los resultados de medición no se falseen.

Conexión eléctrica

La instalación eléctrica y los trabajos de conexión debe realizarlos exclusivamente por personal autorizado.

Deben seguirse las recomendaciones y las directivas vigentes.

El equipo de alimentación tiene que disponer de un interruptor diferencial de tipo A.



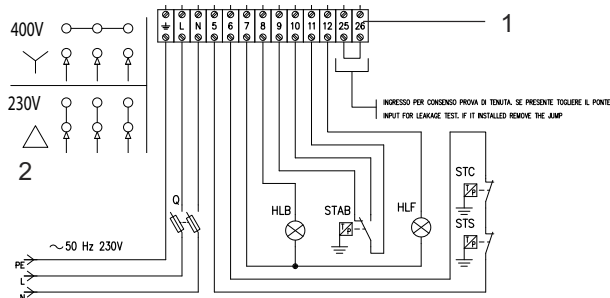
Respetar obligatoriamente las disposiciones y las directivas en vigor, además del esquema eléctrico suministrado con el quemador!

- Compruebe si la tensión eléctrica de alimentación se corresponde con la tensión de funcionamiento indicada en el esquema eléctrico y en la placa de características.

Fusible de la caldera : 5 A

Conexión eléctrica mediante conectores

El quemador debe poder desconectarse de la red por medio de un dispositivo de corte unipolar acorde con la normativa



vigente. El quemador y el generador de calor (caldera) están conectados entre sí por un conector a espia Wieland a siete polos (fig.1).

Conexión de la rampa del gas

Efectuar la conexión de la rampa del gas con las tomas situadas en el quemador.

La configuración estándar de los motores es trifásica 380-400 V.

Los quemadores con motores eléctricos de potencia inferior o igual a 3 kW pueden ser adaptados para la alimentación de 220-230 V (ver instrucciones en el reverso); para motores de potencias superiores, solamente se admite la alimentación trifásica a 380-400 V. Si se necesita un quemador con alimentación a 220 V, mencionarlo específicamente en el pedido.

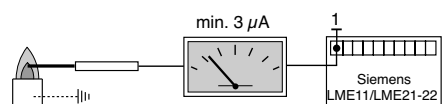
Instrucciones para la alimentación eléctrica a 220-230 V de motores de 3 kW o menos

Los quemadores Ecoflam con motores de 3 kW o menos pueden ser adaptados para ser conectados a una alimentación eléctrica de 220-230 V; para ello, proceder de la manera siguiente:

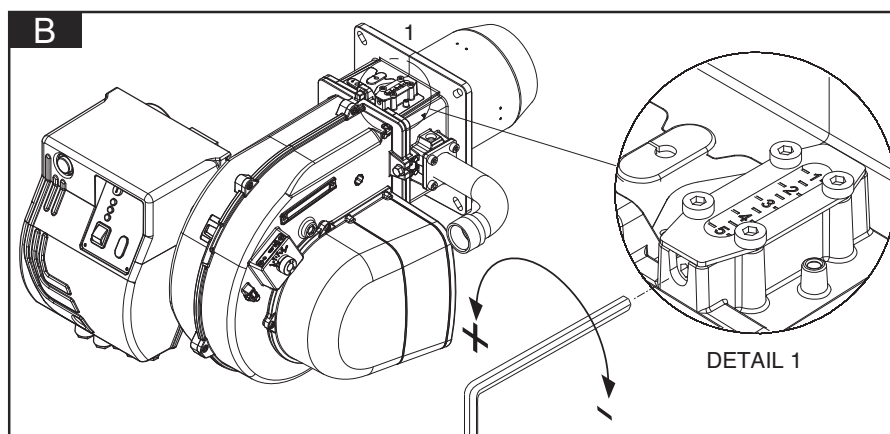
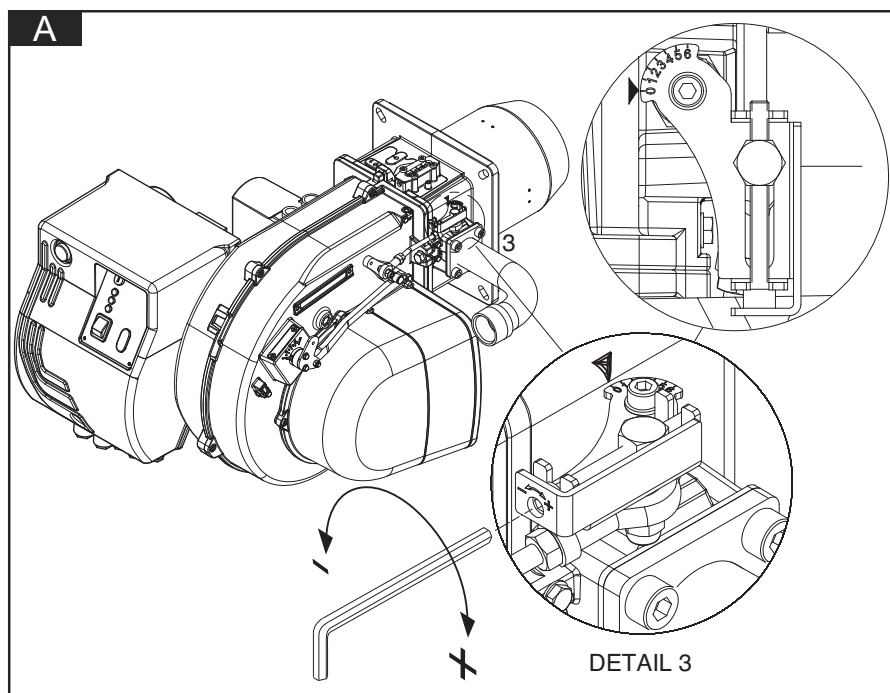
1. cambiar la conexión dentro de la caja de alimentación del motor eléctrico, de estrella a delta (ver figura);

Medición de la corriente de ionización

Con el quemador apagado, conectar un microamperómetro en corriente continua. Con el quemador funcionando y debidamente regulado, el valor leído debe ser estable y nunca inferior a 3 µA.



Puesta en servicio - Ajuste del quemador

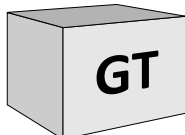


Servomotor aire SQN75

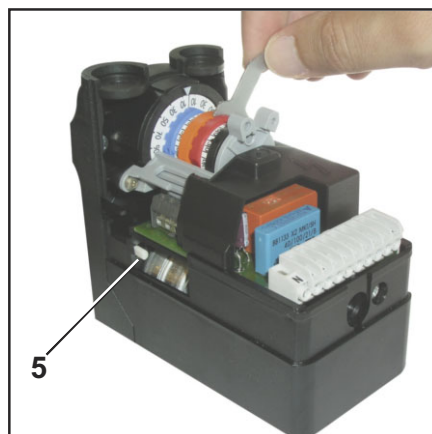
Sacar la tapa para acceder a las levas de regulación. Regular las levas por medio de su llave de suministro y un destornillador.

- I - Leva de regulación (AZUL) para la posición del cierre del aire a la parada del quemador (chiusura totale 0°).
- II - Leva de regulación (ANARANJADA) para la posición de apertura en encendido y Baja Llama (con el destornillador).
- III - Leva de regulación (ROJA) para la posición de apertura en Alta Llama (potencia máx.).
- IV - Leva de regulación (NEGRA) para el consentimiento de la apertura de la electroválvula de Alta Llama.

(5): BOTÓN DE DESBLOQUEO MANUAL



i **Ajuste de la válvula del gas**
Regular las válvulas del gas según



las instrucciones del manual de la rampa del gas.

! **Existe riesgo de deflagración:**
DANGER controle constantemente el CO, el CO2 y las emisiones de humo durante el ajuste. En caso de formación de CO, optimice los valores de combustión. El contenido de CO no debe ser superior a 50 ppm.

Optimisation des valeurs de combustion

Le calibrage d'usine devra être modifié en fonction de la puissance requise.



Attention: en cas d'installation sur une chaudière, respecter la température minimale des fumées d'évacuation en fonction des indications du fabricant de la chaudière et selon les exigences du système d'évacuation des fumées, afin d'éviter la formation de condensation.



Mise en garde : L'enregistrement des données initiales de mise en service est recommandé.

Quemadores versiones "PAB" ensamblaje y regulación da la rampe gas (A)

Montar la rampa de gas fijando los 4 tornillos de la junta y teniendo cuidado de colocar correctamente la posición de la guarnición (O-ring) de estanqueidad. Conexionar electrónicamente la rampa gas a través 2 conectores de la válvula (negro) y de presostát gas (gris) Encender el quemador (en fábrica se ha realizado ya un precalibrado de máxima) y verificar la estanqueidad de los raccords de gas en la instalación.

Para adecuar el quemador a la efectiva potencia de la caldera proceder como sigue.

Regulación de la combustión del quemador biestadio (versión PAB)

Seguir las operaciones enumeradas :

Regulación potencia máxima:

1) colocar el cierre del aire en posición de máxima apertura (posic. 4). (sólo para potencias suministradas particularmente bajas, si no es suficiente la reducción del aire efectuada con el cabezal en posición 1, reducir la apertura del cierre del aire).

2) dosificar el aire desplazando el cabezal de combustión (figura) según la potencia solicitada (como en el ejemplo de la figura).

3) dosificar el gas accionando la regulación de la rampa del gas (véase figura en el manual de la rampa).

Regulación llama baja:

1) tras haber regulado la potencia máxima y haber determinado la presión de trabajo del gas en el cabezal, colocar el cierre en llama baja a 1,5 y dosificar el gas mediante el tornillo de regulación situado en la válvula de mariposa del gas. (figura)

2) Si la carga mínima que se obtiene de esta forma es demasiado baja para el generador de calor, aumentar la apertura del cierre del aire, ajustando el caudal del gas en la válvula de mariposa hasta obtener la potencia mínima adecuada.

Reglaje de la cabeza de combustión (B).

Accionar el tornillo de la figura:

- girar con una llave hexagonal hasta alcanzar el valor deseado (índice 1-5).

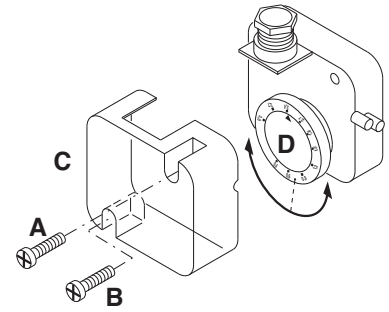
Puesta en servicio - Regulación de presóstati aire y gas

Regulación del presóstato aire

El presóstato aire controla la presión de ventilación de aire. Destornillar los tornillos A y B y quitar la tapa C. Después de la calibración del aire y del gas, con el quemador en función, girar lentamente en el sentido de las agujas del reloj la abrazadera D hasta el tope de bloqueo del quemador. Leer el valor indicado en la abrazadera y reducirlo un 15%. Remontar la tapa C y atornillar los tornillos A y B.



ATENCIÓN: el presostato evitará que la presión del aire disminuya por debajo del 85% del valor configurado, evitando de esta forma que el CO en los humos supere el 1% (10000 ppm).

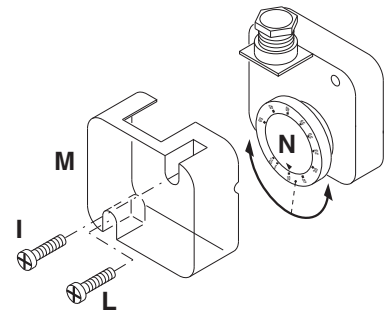


Regulación del presóstato gas de mínima

El presóstato gas de mínima tiene la función de verificar que la presión de gas antes de la rampa de gas tenga la mínima presión para asegurar que el quemador funcione correctamente.

Destornillar los tornillos I y L y quitar la tapa M. Posicionar el regulador N a un valor igual al 60% de la presión nominal de alimentación el gas (ej. para gas nat.

con pres. nom. de alim. de 20 mbar, regulador regulado al valor de 12 mbar; para G.P.L. con pres. nom. de alim. G31 30/37 mbar, regulador regulado al valor 18 mbar). Remontar la tapa M y atornillar los tornillos I y L.



Control de funcionamiento

Es necesario efectuar un control de seguridad del seguimiento de la llama, tanto con motivo de la primera puesta en función como tras haber efectuado una

revisión o tras un largo periodo de inactividad del equipo.

- Prueba de puesta en marcha con el grifo del gas cerrado: el equipo de control tendrá que señalar el no funcionamiento

por ausencia de gas o bloquearse al final del tiempo de seguridad.

Registro de los datos de puesta en funcionamiento				
Test	n°1	n°2	n°3	n°4
Fecha				
Model				
Tipo de gas				
Valor calorífico del gas				
Presión de la entrada del gas mbar				
Regulación de la presión del gas				
Capacidad volumétrica del gas Nm ³ /h				
Potencia del quemador min kW				
Potencia del quemador max kW				
Temperatura de los humos C°				
Temperatura del aire C°				
CO ₂ %				
CO ppm				
NOx ppm				
Rendimiento %				
Acción correctiva				
Nombre del operador				
Empresa				

Mantenimiento - Conservación

Las operaciones de mantenimiento de la caldera debe llevarlas a cabo un técnico especialista en calefacción. Para garantizar la realización anual de los trabajos de mantenimiento, se recomienda firmar un contrato de mantenimiento.



El operador está obligado a utilizar las herramientas necesarias para desarrollar las actividades de mantenimiento.



Atención



- Antes de realizar cualquier intervención de mantenimiento y limpieza, cortar el suministro eléctrico.
- La tobera y los componentes del cabezal pueden estar calientes.

Control de las temperaturas de los gases de combustión

- Compruebe con regularidad la temperatura de los gases de combustión.
- Limpie la caldera cuando la temperatura de los gases de combustión supere el

valor de puesta en servicio en más de 30 °C.

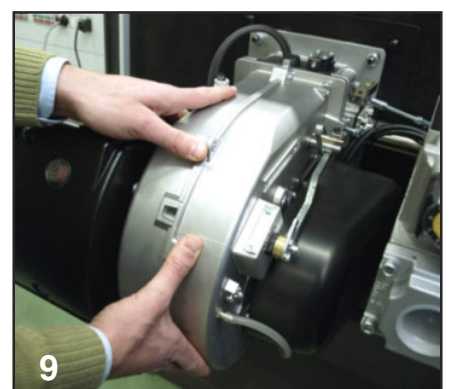
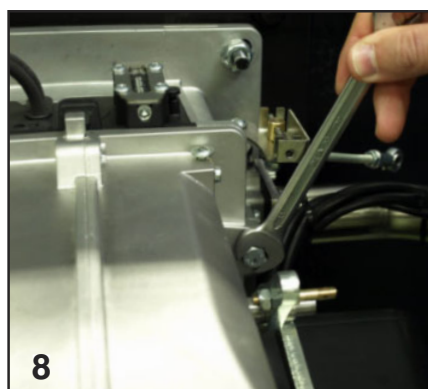
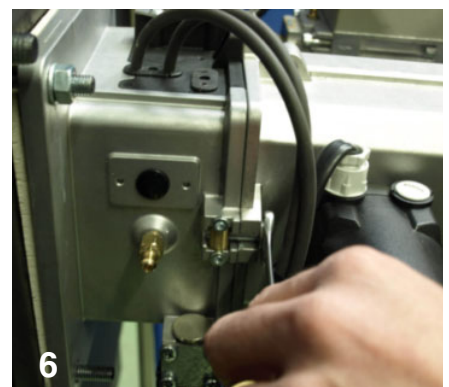
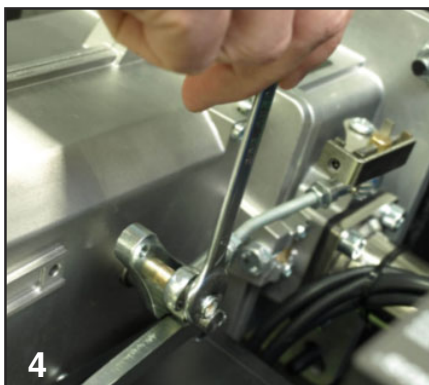
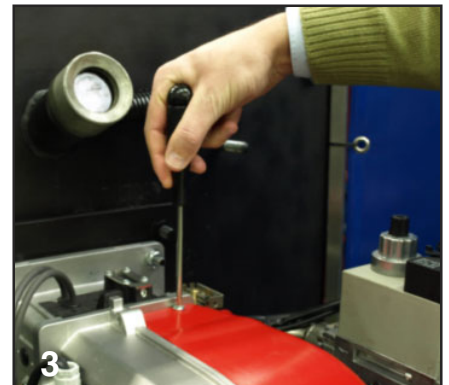
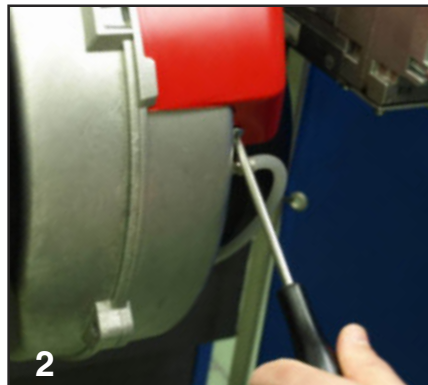
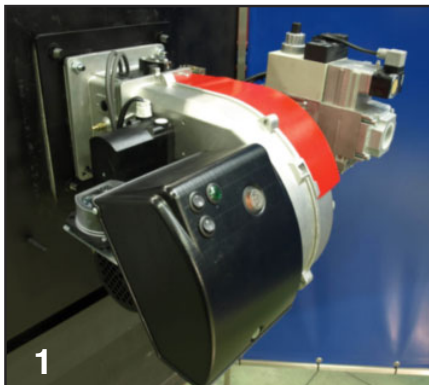
- Utilice un indicador de temperatura de los gases de combustión para facilitar la comprobación.



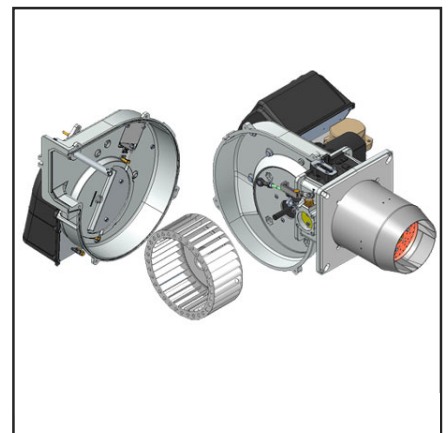
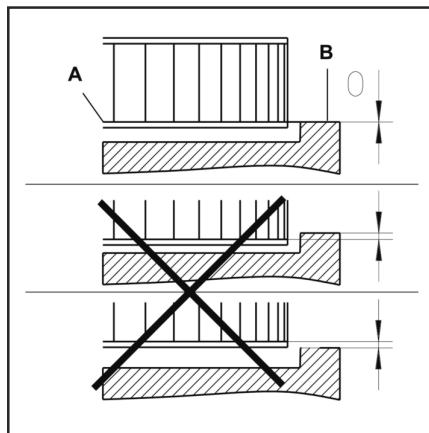
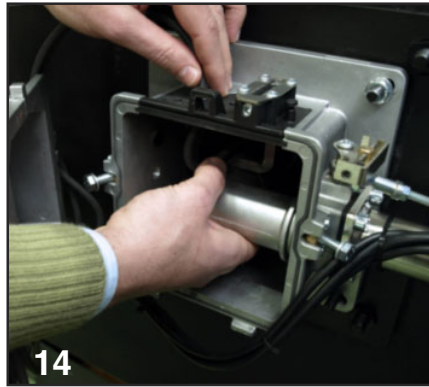
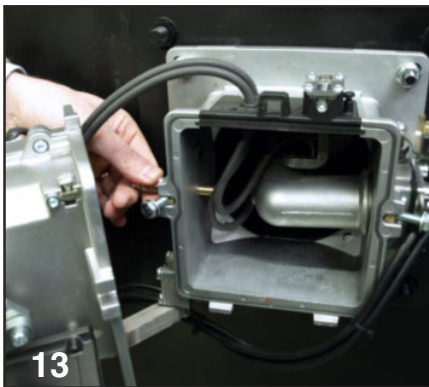
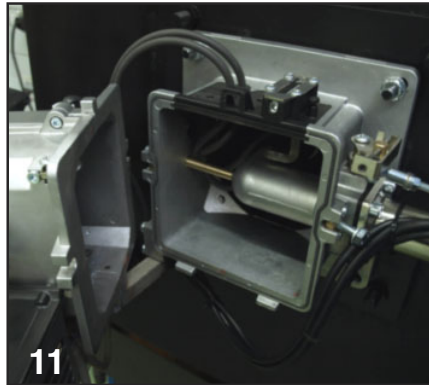
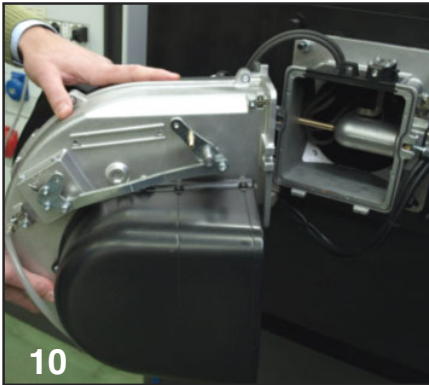
Una vez efectuadas todas las operaciones de mantenimiento, limpieza o control, volver a montar la tapa y todos los dispositivos de seguridad y protección del quemador.

Extracción de cabeza de combustión

- Ver imágenes en el orden.



Mantenimiento - Conservación



Montaje de la turbina

Durante el cambio de ventola o motor, remitir al esquema de posicionamiento.

El disco interno A de la turbina debe ser alineado con la placa B. Introduzca una regleta entre los álabes de la turbina y sitúe A y B a la misma altura, apretar el tornillo con ranura en el ventilador (posición de mantenimiento 1).



Posiciones de mantenimiento

- Todos los componentes de alimentación de combustible (mangueras, canalizaciones) y sus acoplamientos respectivos deben ser comprobados (estanqueidad, desgaste) y cambiados si es preciso.
- Comprobar las conexiones eléctricas y los cables y sustituirlos en caso necesario.
- Comprobar el filtro de gas, limpiarlo o sustituirlo.
- Limpiar la turbina y el cárter y comprobar que no estén deteriorados.
- Comprobar y limpiar la cabeza de combustión.
- Comprobar los electrodos de encendido, ajustarlos o sustituirlos si es necesario.
- Poner en marcha el quemador, comprobar la combustión y corregir los ajustes del quemador si es necesario.

- Comprobar el presóstato de aire y el presóstato de gas.
- Comprobar la aptitud del ajuste de la rampa de gas.
- Realizar una comprobación de funcionamiento.

Mantenimiento - Posibles inconvenientes

Causas y resolución de anomalía

En caso de anomalía se deben comprobar las condiciones de funcionamiento normal:

1. Hay corriente eléctrica?
2. Hay presión de gas?
3. Está abierta la válvula de cierre del gas?
4. Todos los aparatos de regulación y de seguridad, como por ejemplo el termostato de la caldera, el dispositivo de protección contra la falta de agua, el interruptor de fin de carrera, etc. están regulados?

En el caso de que, después de comprobar los puntos arriba, la anomalía persiste, consulte la tabla siguiente.



Los componentes de seguridad no debe ser reparado, pero se debe reemplazados por componentes de la muestra el mismo número de artículo.



Utilice exclusivamente piezas.



En caso de parada del quemador, para evitar daños en la instalación, no desbloquear el quemador más de dos veces seguidas. Si el quemador se bloquea por tercera vez, contactar con el servicio de asistencia.

NB: Después de cualquier intervención:

- bajo condiciones de funcionamiento normales (las puertas se cerraron, capilla cabida, etc.), la combustión del cheque y compruebe las líneas individuales para saber si hay escapes. - Registre los resultados en los documentos relevantes.

Mantenimiento

Control anual

El control periódico del quemador (cabeza de combustión, electrodos etc.) tiene que ser efectuado por técnicos autorizados una o dos veces cada año, según la utilización del quemador. Antes de proceder con las operaciones de mantenimiento, es aconsejable comprobar el estado general del quemador actuando de la manera siguiente:

- Desconectar la clavija del quemador de la red.
- Cerrar la válvula de cierre del gas.
- Sacar la tapa del quemador y limpiar ventilador y conducto de aspiración del aire.
- Limpiar la cabeza de combustión y comprobar la posición de los electrodos.
- Remontar el todo.
- Comprobar la estanqueidad de las uniones del gas.
- Comprobar la chimenea.
- Arrancar el quemador y comprobar los parámetros de combustión.

Antes de cada intervención comprobar:

- Que hay corriente en la instalación y que

- el quemador sea conectado.
- Que la presión del gas sea la correcta y la válvula de cierre esté abierta.
- Que los equipos de control estén debidamente conectados.
- Cuando todas estas condiciones se cumplen, arrancar el quemador presionando el botón de bloqueo y comprobar la secuencia de encendido.

Breve guía de averías :

- El quemador no arranca: comprobar el interruptor de arranque, los termostatos, el motor, la presión del gas, el equipo de control de estanqueidad (si lo hay).
- El quemador efectúa el prebarrido pero se pone en seguridad al final del ciclo: comprobar la presión del aire, el ventilador y el presostato del aire.
- El quemador efectúa el prebarrido pero no se enciende: comprobar el montaje y la posición de los electrodos, el cable de encendido, el transformador de encendido, el equipo de control llama y las electroválvulas del gas.
- El quemador se enciende pero se pone en seguridad al cumplir del tiempo de seguridad: comprobar que fase y neutro

sean conectados correctamente; comprobar posición y conexión de la sonda de ionización; comprobar el equipo de control de llama.

- El quemador se enciende normalmente pero se pone en seguridad después unos minutos de funcionamiento: comprobar el regulador de presión y el filtro del gas; controlar la presión del gas; controlar el valor de ionización (mín. 3 µA); comprobar los valores de la combustión.

Tabla de códigos de error

Código de parpadeo (LED)	«AL» en term. 10	Posible causa
2 parpadeos	Encendido	No establecimiento de llama en el extremo de «TSA» - Válvulas de combustible averiadas o sucias - Detector de llama averiado o sucio - Ajuste pobre del quemador. No hay combustible - Equipamiento de ignición averiado
3 parpadeos	Encendido	«LP» averiado - Pérdida de señal de presión de aire después de «t10» - «LP» se suelda en posición normal
4 parpadeos	Encendido	Luz extraña en el arranque del quemador
5 parpadeos	Encendido	Tiempo muerto «LP» - «LP» se suelda en la posición de trabajo
6 parpadeos	Encendido	Libre
7 parpadeos	Encendido	Demasiadas pérdidas de llama durante la operación (limitación de repeticiones) - Válvulas de combustible averiadas o sucias - Detector de llama averiado o sucio - Ajuste pobre del quemador.
8 parpadeos	Encendido	Libre
9 parpadeos	Encendido	Libre
10 parpadeos	Apagado	Error de cableado o error interno, contactos de salida, otras averías
14 parpadeos	Encendido	Contacto CPI no cerrado

Содержание - Предупреждения общего характера


Обзор	Сертификат соответствия	3
	Технические характеристики	4
	Рабочий диапазон	5
	Размеры	6
Содержание	Содержание	51
	Предупреждения общего характера	51
	Описание горелки	52
Функционирование	Общие функции безопасности	53
	Блок управления Siemens LME...	54
	Панель управления	54
Установка	Установка горелки	55
	Электрическое соединение	56
	Необходимые проверки перед пуском в эксплуатацию	56
Ввод в эксплуатацию	Регулировка горелки	57
	Регулировка реле давления воздуха и газа	58
	Регистрация данных о вводе в эксплуатацию	58
Техническое обслуживание	Работы по техническому обслуживанию	59-60
	Возможные неполадки	61
Обзор	Электрические схемы	62-67
	Запчасти	68-72


Предисловие


Руководство по эксплуатации поставляется вместе с горелкой:


- предоставляет важную информацию и инструкции по технике безопасности при установке, вводе в действие, эксплуатации и техническому обслуживанию горелки;
- предназначено для использования квалифицированным персоналом.


Система символов и знаков, используемых в руководстве


 **Максимальная опасность** — указывает операции, которые могут вызвать получение тяжелых травм, привести к смертельному исходу или нести риски для здоровья в течение продолжительного периода времени, если эти операции выполнены неправильно.


 **Внимание** — указывает операции, которые могут вызвать получение тяжелых травм, привести к смертельному исходу или нести риски для здоровья в течение продолжительного периода времени, если эти операции выполнены неправильно.

 **Осторожно** — указывает операции, которые могут нанести ущерб машине и/или травмы людям, если эти операции выполнены неправильно.


 **Опасность: детали и узлы под напряжением.**


 **Опасность: легковоспламеняющийся материал.**

 **Опасность: риск получения ожогов.**


 **Опасность: риск раздавливания конечностей.**


 **Следует обязательно установить кожаные перчатки и все средства безопасности и защиты.**

 **Защита окружающей среды**
Этот знак указывает на инструкции по эксплуатации машины с бережным отношением к окружающей среде.

 **Важная информация**
Этот знак указывает на важную информацию, которую следует помнить.


Основные указания
Горелки производства Ecoflam были разработаны и изготовлены в соответствии с действующими нормативами и директивами.

 **Все горелки соответствуют стандартам безопасности и энергосбережения в пределах заявленного рабочего поля.**

 **Запрещается эксплуатация горелки за пределами рабочего диапазона.**


Качество продукции гарантировано системой сертификации в соответствии с нормой ISO 9001:2008

Горелки MAX GAS спроектированы для сжигания природного газа и газа пропан с низким выбросом в атмосферу загрязняющих веществ. Горелки соответствуют норме EN 676.

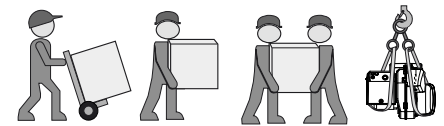
 **Монтаж, пуск в эксплуатацию и техническое обслуживание должны производиться только квалифицированными техническими специалистами с соблюдением всех действующих директив и предписаний.**

Упаковка и перемещение


Перемещение горелки в упаковке следует осуществлять на тележке или на подъемнике, проявляя особую осторожность, чтобы не допустить ее падения, в связи с чем горелка должна находиться на расстоянии не более 20 см от земли. После удаления упаковки проконтролируйте целостность содержимого, а также соответствие оформленному заказу. В случае сомнений свяжитесь с производителем.

 **Установка горелки должна осуществляться квалифицированным персоналом.**

Если размер и вес не позволяют поднять изделие вручную одному





человеку, привлечите к выполнению этой операции еще одного работника или воспользуйтесь грузоподъемным механизмом. Если на горелке не предусмотрены рым-болты, зачальте ее с помощью строп.

 **Используйте принадлежности, входящие в комплект поставки (фланец, уплотнение, болты и гайки).** При установке горелки на котел проявляйте осторожность, чтобы не повредить изолирующую прокладку.

Условия установки

Горелку следует устанавливать после выполнения внутренней очистки места, предназначенного для ее установки.

 Утилизируйте правильно образом все элементы упаковки, разделив отдельно различные виды материалов.

 **Горелка не должна эксплуатироваться в помещениях с агрессивной средой (например, спрей, тетрахлорэтилен, тетрахлорметан и т.д.), сильно запыленным воздухом или с высокой влажностью (например, в прачечных).** Достаточная вентиляция должна быть предусмотрена в помещении, где установлена горелка, так, чтобы обеспечить условия для хорошего сгорания. Местное законодательство может содержать дополнительные требования.

 **Гарантия не распространяется на возмещение ущерба, вызванного следующими причинами:**
- ненадлежащее использование
- неправильная установка, установка, выполненная покупателем или третьими лицами, использование неоригинальных элементов.

Содержание - Описание горелки

Передача установки пользователю и рекомендации по эксплуатации Производитель обязан не позднее момента передачи установки пользователю передать ему инструкции по эксплуатации и техническому обслуживанию установки. Они должны храниться в котельной на видном месте. В них должен быть указан номер телефона и адрес ближайшего центра технического обслуживания.

Основные указания

Горелки MAX GAS PAB являются моноблочными одноступенчатыми приборами, работающими в полностью автоматическом режиме. Форма головки горения позволяет получить низкий уровень выделения NOx и продуктов горения, максимально повышая таким образом КПД теплогенератора. Выделения могут отличаться от значений, полученных в испытательной лаборатории, так как значительно зависят от типа теплогенератора, в котором устанавливается горелка.

Монтаж должен отвечать требованиям действующих нормативов. Например, необходимо избегать помещений с опасной атмосферой или без вентиляции.

Табличка с данными

Повреждение, удаление, отсутствие и т. д. таблички горелки могут не позволить однозначно идентифицировать горелку и делают затруднительной любую операцию по ее установке и техническому обслуживанию.

Рекомендации пользователю

Не менее одного раза в год оборудование должно проверяться квалифицированным специалистом. Для обеспечения регулярных проверок рекомендуется заключить договор на проведение технического обслуживания.



Для любого другого использования требуется разрешение Компании Ecoflam.

Упаковка

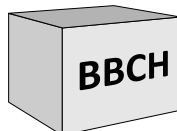
Горелка поставляется с модульной системой упаковки отдельными комплектами/коробками:

VBCH: Горелка в комплекте с огневой головкой и фланцем.

- 1 пакет : - многоязычное техническое руководство.
- штекер wieland.
- винты, гайки и шайбы.

GT: Отдельная газовая рампа.

KIT & ACS заказываемые и поставляемые отдельно



- A1 Siemens LME22 Блок управления
- 3 Регулировка воздуха в головке горелки
- 5 Корпус
- 8 Труба жаровая
- 15 Фланец горелки
- 16 Кнопка разблокировки
- 113 Короб воздухозабора

MAX GAS 350 E PAB TC

НАЗВАНИЕ

MAX GAS газ

МОДЕЛЬ

MAX GAS 350 350 кВт

ВЫБРОСЫ

E ErP version

LN Low NOx

РЕЖИМ РАБОТЫ

P 1-ступенчатый

PAB 2-ступенчатый

ТИП ГОЛОВКИ

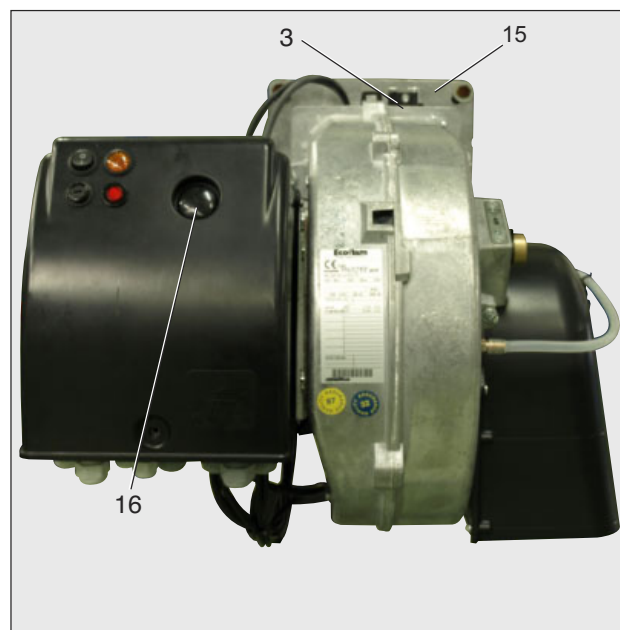
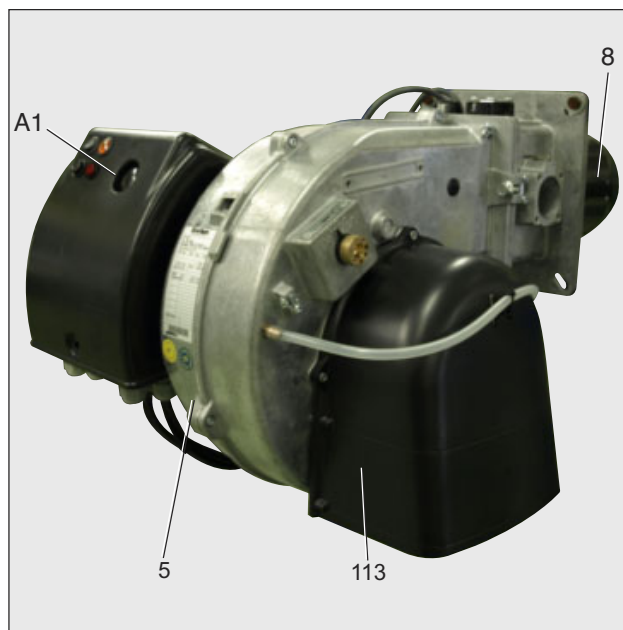
TC КОРОТКАЯ ЖАРОВАЯ ТРУБА

TL ДЛИННАЯ ЖАРОВАЯ ТРУБА

ТОПЛИВО

природный газ

LPG пропан газ



Функционирование - Общие функции безопасности

Описание работы

При первой подаче напряжения, после отключения напряжения или перевода в режим безопасности, после отключения газа или после остановки на 24 часа, начинается время предварительной вентиляции 30 сек.

В течение предварительной вентиляции:

- давление воздуха находится под контролем.
- контроль присутствия возможных аномальных указаний пламени.

После истечения периода предварительной вентиляции

- запускается розжиг.
- главный и предохранительный электромагнитные клапаны открыты.
- пуск горелки.

Контроль

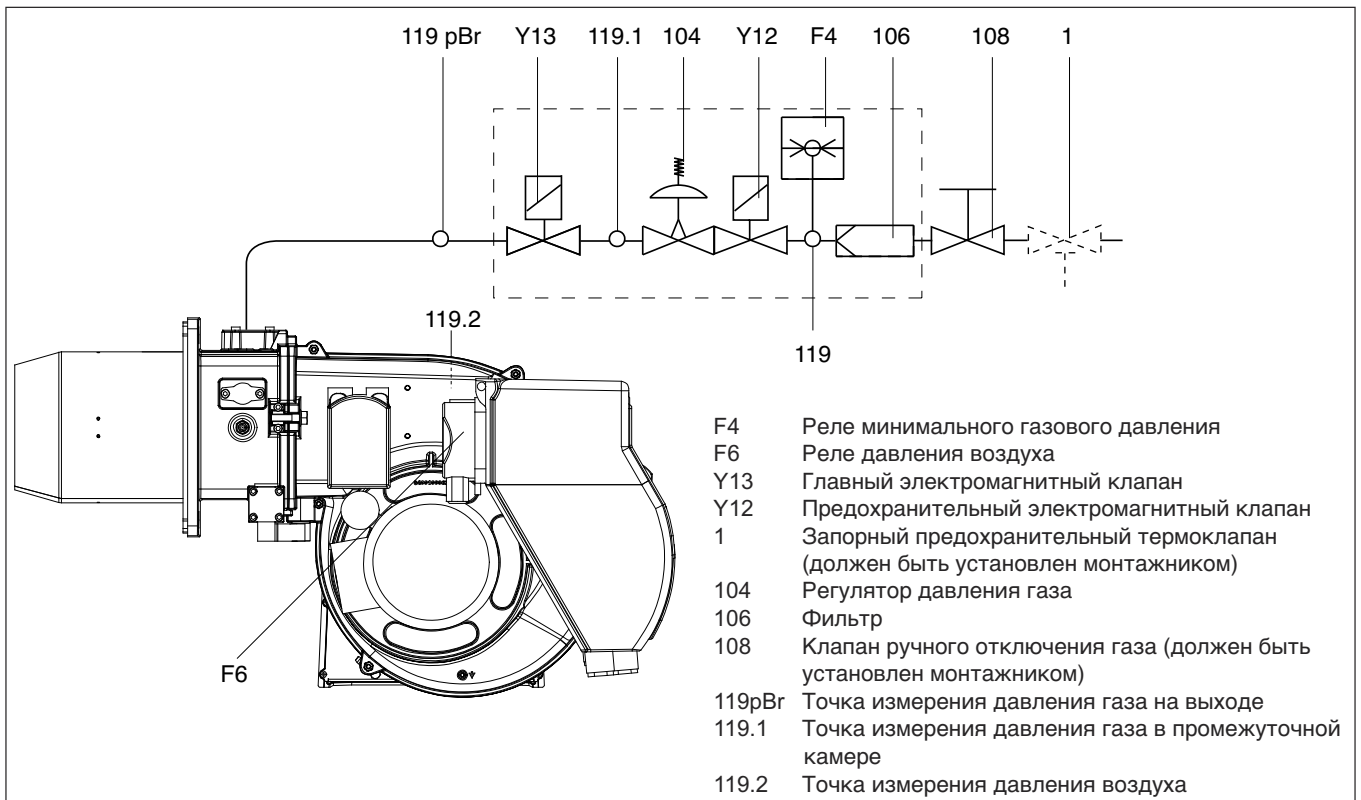
Пламя контролируется ионизационным зондом. Зонд вместе с изоляцией встроен в газовую головку и проходит через дефлектор в зону пламени. Зонд не должен иметь электрический контакт с заземленными деталями. В случае короткого замыкания между зондом и массой горелки горелка переходит в аварийный режим. При горении в газовом пламени образуется ионизационная зона, эта зона пересекается выпрямленным током, который идет от зонда к соплу горелки.

Режим безопасности

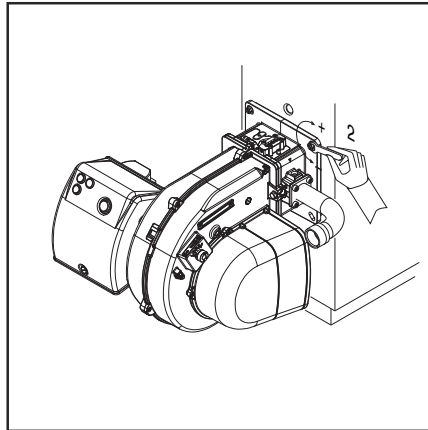
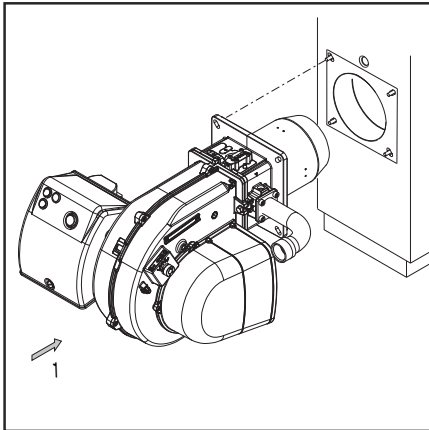
- Если при запуске горелки (пуск газа) не образовалось пламя, то по истечении времени безопасности, газовый клапан закрывается.
- В случае исчезновения пламени во время работы подача газа прекращается.
- В случае нехватки воздуха при предварительной вентиляции или во время работы происходит переход в режим безопасности.
- В случае нехватки газа горелка не включается и/или останавливается.

Остановка регулировки

- Реле регулятора температуры прерывает запрос на нагрев.
- Газовые клапаны закрываются.
- Пламя гаснет.
- Электродвигатель вентилятора останавливается.
- Горелка готова к работе.



Установка - Установка горелки



Монтаж горелки

Горелка крепится к соединительному фланцу и, следовательно, к котлу. Таким образом, камера сгорания будет закрыта герметично.

Монтаж :

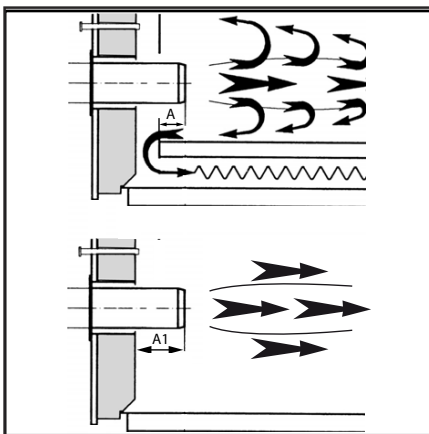
- Закрепить фланец к котлу винтами.

Демонтаж :

- Ослабить винт.
- вытащите горелку из котла.



Установите горелку в котле, исходя из указанного положения установки. Установка 3 не действительна по соображениям безопасности.



Линия газоснабжения

При установке линии газоснабжения и газовой рампы необходимо соблюдать предписания нормы EN676. Устанавливается обязательный комплект принадлежностей согласно EN676. Дополнительные принадлежности устанавливаются монтажником в соответствии с местными предписаниями.



Монтажная организация несет ответственность за установку дополнительных опор для исключения избыточной нагрузки на корпус горелки от собственной массы полного газового блока, дополнительных комплектующих, трубопроводов и т. д.. Корпус горелки рассчитан только на массу газового вентиля и трубопровода между вентилем и корпусом.

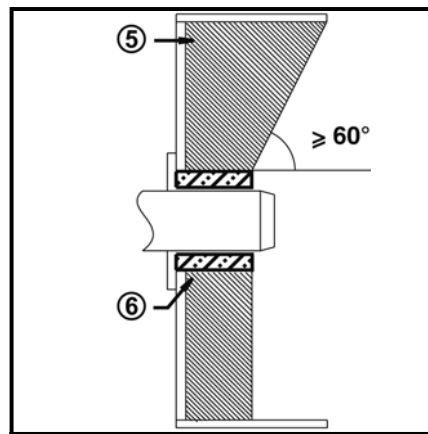
Установка газовой рампы

Газовая рампа поставляется отдельно. Для ее монтажа см. инструкции, приведенные в руководстве по монтажу газовой рампы.



Предписания общего порядка для подключения газа

- Подключение газовой рампы к газовой сети должно выполняться исключительно уполномоченным квалифицированным специалистом.
- Сечение газовых труб должно быть подобрано таким образом, чтобы

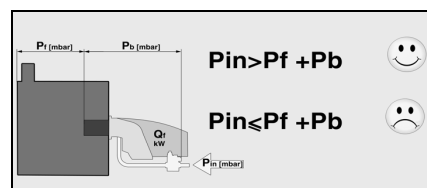


давление подачи газа не могло опуститься ниже предписанного значения.

- Ручной отсечной клапан (не поставляется) должен быть установлен "вверх по течению" от газовой рампы.

УСЛОВНЫЕ ОБОЗНАЧЕНИЯ

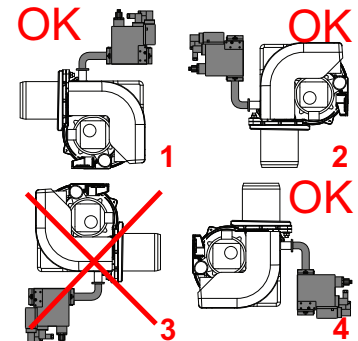
Pf: Противодействие в топке.
Pb: Давление газа в горелке (головка горелки + газовая рампа).
Pin: Минимальное давление на входе.



ПРЕОБРАЗОВАНИЕ В СУГ

KITLPG-MAX GAS...

Для работы с СУГ необходимо приобрести комплект СУГ (Kit LPG) и установить его при соблюдении прилагаемых инструкций.



Глубина установки сопла горелки и огнеупорное уплотнение

Для котлов без охлаждения передней стенки и при отсутствии других указаний со стороны производителя котла, необходимо выполнить огнеупорную вставку или теплоизоляцию (5), как показано на рисунке слева. Огнеупорная вставка не должна заходить за передний край сопла горелки, а угол ее конического скоса не должен превышать 60°. Воздушный промежуток (6) должен быть заполнен эластичным и невоспламеняемым теплоизоляционным материалом.

Для котлов при выборе глубины сопла горелки необходимо руководствоваться указаниями производителя котла.

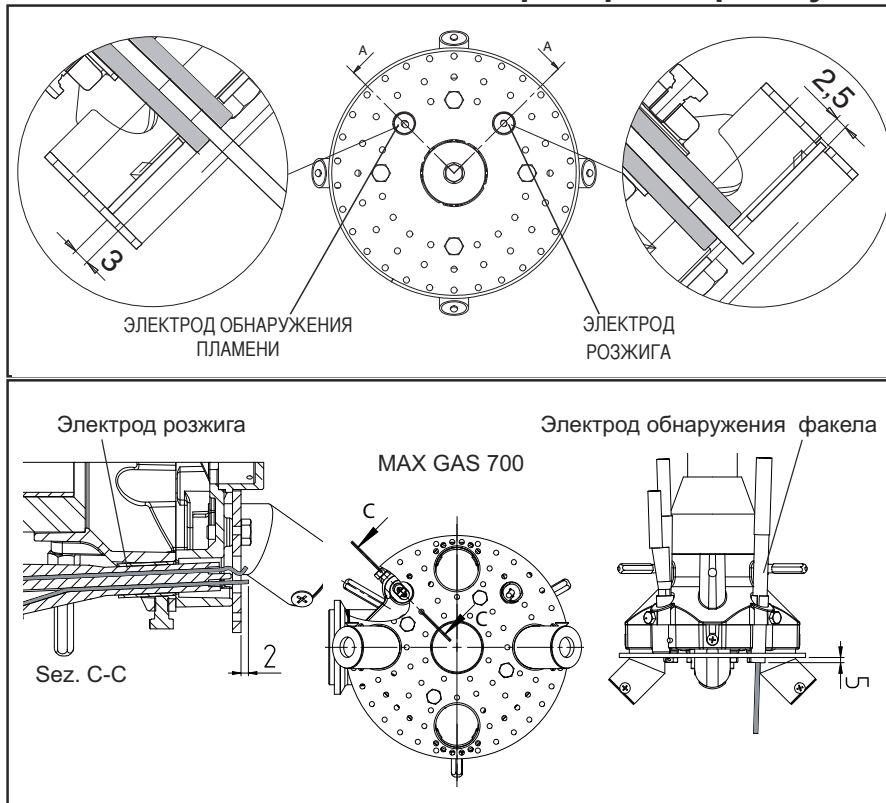
Колонки с обратным пламенем :
A = 50-100 mm.

Колонки с тройной дымовой спиралью :
A1 = 50-100 mm.

Система отвода продуктов горения

Для предотвращения неприятного шума не рекомендуется применять для соединения котла с дымоходом соединительные детали с проходным каналом, изогнутым под прямым углом.

Установка - Подключение к электросети - Необходимые проверки перед пуском в эксплуатацию



Электроподключение

Электропроводка и все работы по подключению к сети должны выполняться только квалифицированным электриком. Должны выполняться действующие предписания и директивы. Установка электропитания должна быть оснащена дифференциальным выключателем типа А.

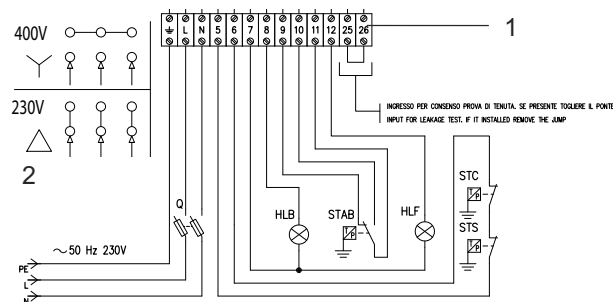


Строго соблюдать действующие предписания и директивы, помимо электросхемы, поставляемой с горелкой!

• Убедитесь, что напряжение электропитания соответствует указанному рабочему напряжению в электросхеме и на шильдике горелки.
Плавкий предохранитель : 5 А

Подключение разъемами

Горелка должна отключаться от сети с помощью многополюсного выключателя, соответствующего действующим стандартам. Горелка и теплогенератор (котел) соединяются между собой посредством семиконтактного штекера (1).



Подключение газовой рампы

Выполните подключение газовой рампы при помощи разъемов, установленных на горелке.

Горелки производятся с соединениями, предназначенными для трехфазного электропитания 380-400В.

Горелки с электродвигателями мощностью 3 кВт или менее могут быть адаптированы под 220-230В (пожалуйста, следуйте инструкции на обратной стороне); электродвигатели большей мощности могут работать только при трехфазном электропитании 380-400В. Если требуется исполнение горелки отличается от вышеупомянутого стандарта, рекомендуется сделать отдельное примечание при заказе.

Инструкция: как адаптировать электродвигатели мощностью 3 кВт или менее под электропитание 220-230В

Напряжение горелки можно изменить путем следующих действий:

1. Изменить соединение внутри клеммной коробки двигателя со "звезды" на соединение треугольником (см. рисунок);
2. Изменить настройку термореле в соответствии со значениями, указанными на шильдике двигателя. Если необходимо, замените термореле другим, с подходящей

шкалой.

Вышеуказанные действия невозможны для электродвигателей мощностью выше 3 кВт. Для более подробной информации, пожалуйста, свяжитесь с Ecoflam.

Положение электродов

Обязательно проверьте положение электродов после их замены или установки комплекта KIT LPG. Неправильное положение электродов может затруднить розжиг горелки.

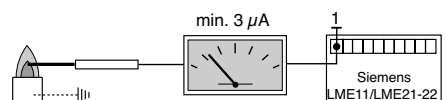
Проверки перед пуском в эксплуатацию

Перед первым запуском следует проверить следующее:

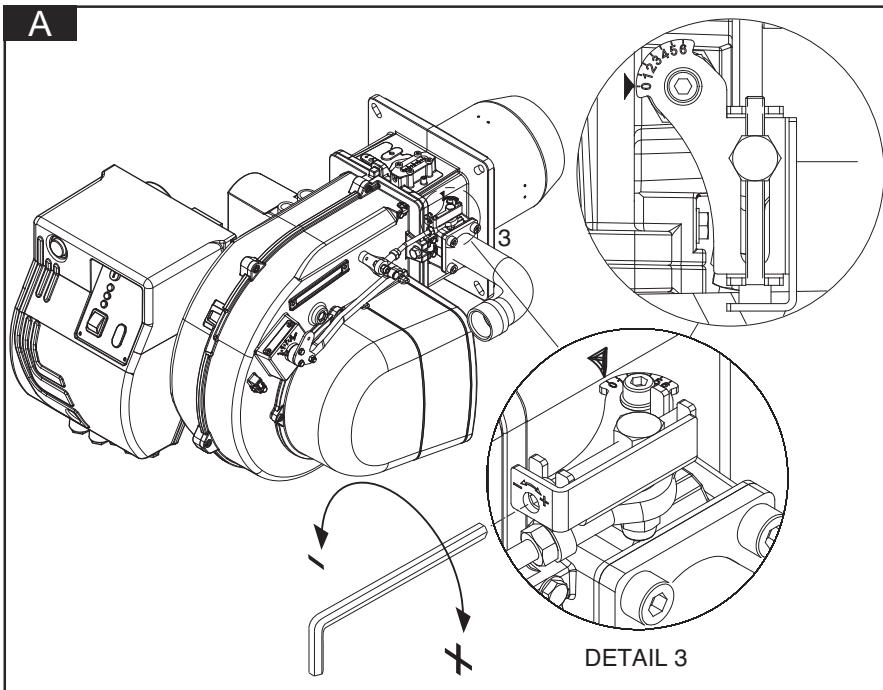
- Убедитесь, что горелка установлена согласно настоящей инструкции.
- Предварительная регулировка горелки выполнена правильно, согласно указанным в таблице регулировок значениям.
- Настройка компонентов системы горения
- Теплогенератор должен быть готов к работе согласно инструкции по его использованию.
- Все электрические соединения выполнены правильно.
- Теплогенератор и система отопления заполнены достаточным количеством воды. Циркуляционные насосы действуют.
- Регуляторы температуры и давления, устройство защиты от недостатка воды, а также другие предохранительные и защитные устройства, используемые на установке, правильно подсоединены и действуют.
- Вытяжная труба должна быть прочищена. Устройство для подачи дополнительного воздуха, если оно установлено, в рабочем состоянии.
- Гарантирована подача свежего воздуха.
- Получен запрос на тепло.
- Должно быть доступным достаточное давление газа.
- Топливопровода установлены согласно техническим нормам, освобождены от воздуха и проверена их герметичность.
- Согласно существующим нормам на вытяжной трубе должна находиться точка измерения. До этого места труба должна быть герметичной для того, чтобы подсос наружного воздуха не повлиял на результаты измерений.

Измерение силы тока ионизации

При неработающей горелке подключите амперметр постоянного тока. Если регулировка выполнена правильно, то во время работы горелки сила тока должна быть не ниже 3 μ А.



Ввод в эксплуатацию - Регулировка горелки



ГОРЕЛКИ В ВАРИАНТЕ "РАВ" МОНТАЖ И РЕГУЛИРОВКА ГАЗОВОЙ РАМПЫ (А)

Закрепите газовую рампу 4 болтами в месте фланцевого соединения, обращая внимание на правильное положение прокладки (O-ring). Подсоедините электропитание к рампе через 2 разъема клапана (черноты) и переключателя давления газа (серого). Произведите розжиг горелки (заводом-изготовителем уже произведена предварительная настройка) и проверьте герметичность соединений. Для приведения мощности горелки к требуемой мощности котла произведите следующие действия.

РЕГУЛИРОВКА ГОРЕНИЯ ДВУСТАДИЙНОЙ ГОРЕЛКИ (версия РАВ)

Выполнить описанные операции :
Регулировка максимальной мощности :

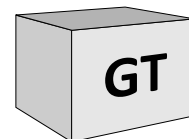
- 1) установить воздушную заслонку на максимальное открытие (полож. 4). (только при очень низких выходных мощностях, если не достаточно уменьшение воздуха, выполненного с головкой в положении 1, уменьшить открытие воздушной заслонки).
- 2) произвести дозировку воздуха, перемещая огневую головку (рисунок) в соответствии с запрашиваемой мощностью (как пример на рисунке).
- 3) произвести дозировку газа, регулируя газовую рампу (см. рисунок в руководстве по рампе).

Регулировка минимального пламени:

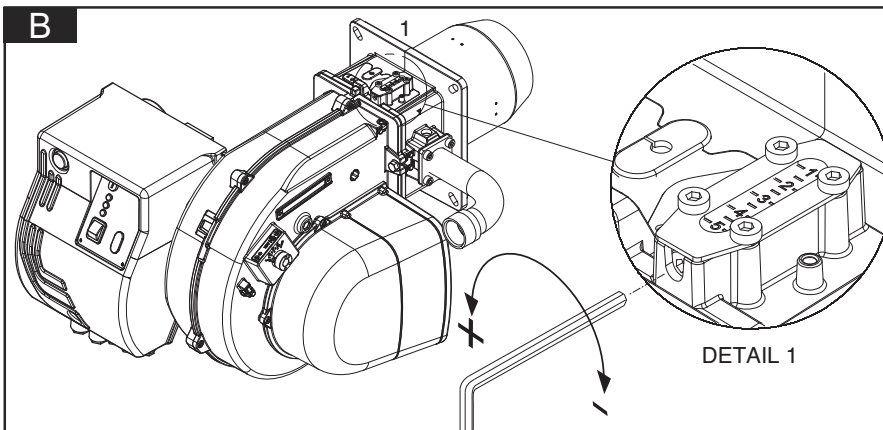
- 1) после регулирования максимальной мощности и, следовательно, определенного рабочего давления газа на головке, установить заслонку на минимальное пламя на 1,5, и произвести дозировку газа посредством регулировочного винта, расположенного на дроссельном клапане. (рисунок)
- 2) Если минимальная нагрузка, достигнутая таким образом, будет слишком низкой для генератора тепла, увеличить открытие воздушной заслонки, отрегулировав расход газа на дроссельном клапане до достижения минимальной соответствующей мощности.

Регулировка огневой головки (В).

- Повернуть винт, как на рисунке:
- повернуть гаечным ключом до достижения желаемой величины (показатель 1-5).



Регулировка газового клапана
Отрегулируйте газовые клапаны в соответствии с инструкциями руководства по эксплуатации газовой рампы.



Воздушный сервопривод SQN75

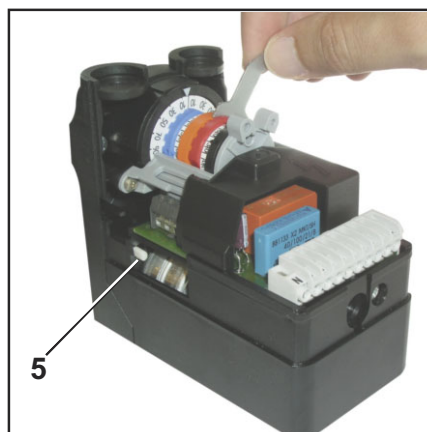
Для доступа к регулировочным кулачкам снять крышку. Регулирование кулачков производится с помощью входящего в комплект ключа и плоской отвертки. Описание:

- I кулачок регулирования положения воздушной заслонки при гашении горелки (синий). 0° = заслонка закрыта полностью.
- II кулачок регулирования положения воздушной заслонки при розжиге и на 1-й ступени (оранжевый). Регулируется отверткой.
- III кулачок регулирования положения воздушной заслонки на 2-й ступени (максимальная мощность) (красный).
- IV кулачок регулирования открывания газового клапана 2-й ступени (черный).

(5): ДЕБЛОКИРОВОЧНЫЙ РЫЧАГ

Оптимизация характеристик горения
Заводская калибровка должна быть изменена в зависимости от требуемой мощности.

Внимание! Соблюдайте минимальную необходимую



температуру дымовых газов, следуя указаниям производителя котла и принимая во внимание тип вытяжных труб, чтобы избежать эффекта конденсации.

Предупреждение: Рекомендуется регистрация данных первого ввода горелки в действие.

Ввод в эксплуатацию - Регулировка реле давления воздуха и газа



Опасность вспышки! Постоянно контролируйте содержание CO, CO₂ и сажи в отходящих газах в процессе регулировки. В случае образования CO оптимизируйте значения горения. Содержание CO не должно превышать 50 промилле.

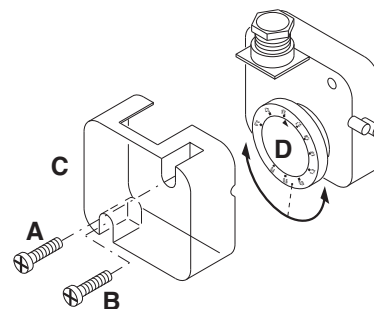
Регулировка реле давления воздуха

Реле давления воздуха контролирует давление воздуха для горения. Отвинтить винты **A** и **B** и снять крышку **C**. После настройки воздуха и газа, во время работы горелки медленно повернуть рукоятку **D** по часовой

стрелке до блокировки горелки. Отметьте значение, указанное на рукоятке, понизив его на 15%. Установить на место крышку **C** и затянуть винты **A** и **B**.



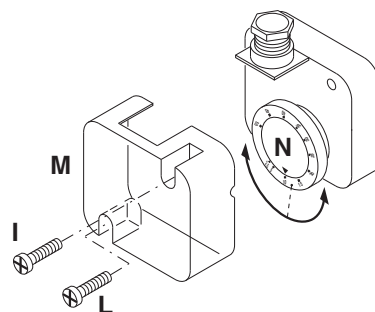
ВНИМАНИЕ: Реле давления позволяет предотвратить падение давления воздуха ниже 85% от установленной величины, избегая таким образом превышения содержания CO в отходящих газах более 1%(10000 промилле).



Регулировка реле минимального давления газа

Функция реле минимального давления газа - следить за тем, чтобы давление газа перед газовым клапаном было не ниже минимального, при котором горелка работает нормально. Отвинтить винты **I** и **L** и снять крышку **M**. Установить рукоятку **N** на значение, равное 60% от номинального давления газа (например, при номинальном

давлении метана 20 мбар рукоятка устанавливается на значение 12 мбар; для сжиженного газа с номинальным давлением 30/37 мбар рукоятка устанавливается на значение 18 мбар). Установить на место крышку **M** и затянуть винты **I** и **L**.



Контроль функционирования

Контроль пламени должен быть выполнен как в случае первого запуска, так и после технического обслуживания или после длительного периода

бездействия системы.

- Тест запуска с закрытым газовым краном:
блок управления должен сигнализировать сбой по причине

нехватки газа или перейти в режим блокировки по окончании предохранительного времени.



Регистрация данных о вводе в эксплуатацию

Тест	№1	№2	№3	№4
Дата				
Модель				
Тип газа				
Значение калорийности газа				
Давление на впуске газа мбар				
Регулировка давления газа				
Объемный расход газа Nm ³ /h				
Мощность горелки min кВт				
Мощность горелки max кВт				
Температура дыма C°				
Температура воздуха C°				
CO ₂ %				
CO ppm				
NOx ppm				
КПД %				
Корректирующие действия				
Имя оператора				
Предприятие				

Сервис - Работы по техническому обслуживанию

Работы по техническому обслуживанию котла и горелки должны выполняться только специалистом-теплотехником. Для обеспечения регулярного обслуживания пользователю рекомендуется заключить договор на техническое обслуживание.



Во время выполнения операций по техническому обслуживанию персонал обязан использовать соответствующие средства защиты.



Внимание



- Перед выполнением любых работ по техническому обслуживанию и очистке отключите электропитание.
- Жаровая труба и ее компоненты могут быть горячими.

Проверка температуры отходящих газов

- Регулярно проверяйте температуру отходящих газов.
- Выполняйте очистку котла, если температура продуктов сгорания более чем на 30° С превышает значение температуры, измеренное при пуске горелки в эксплуатацию.

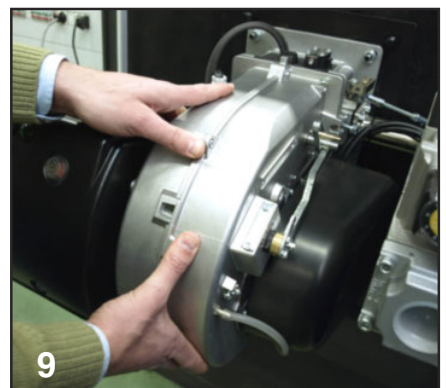
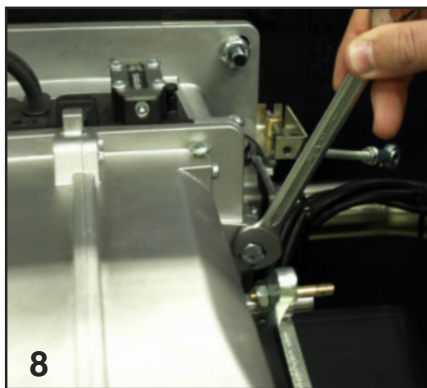
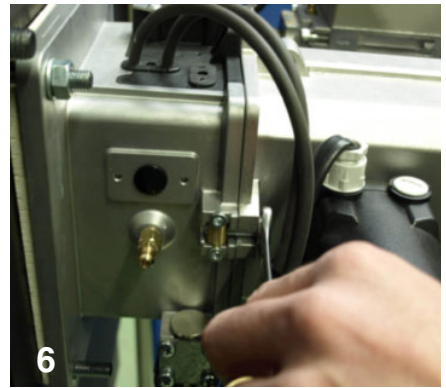
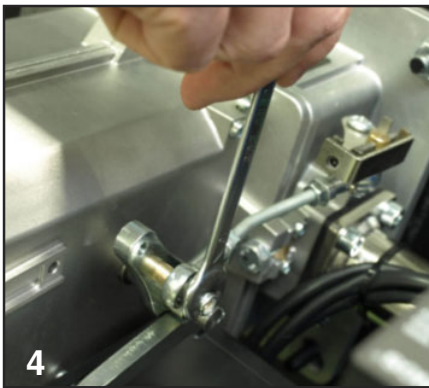
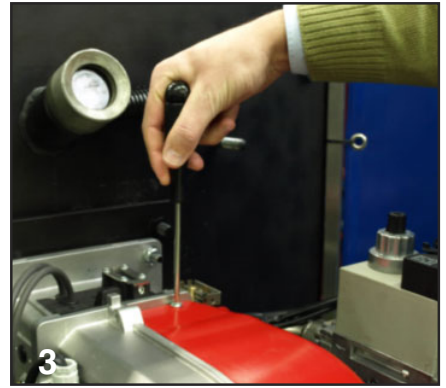
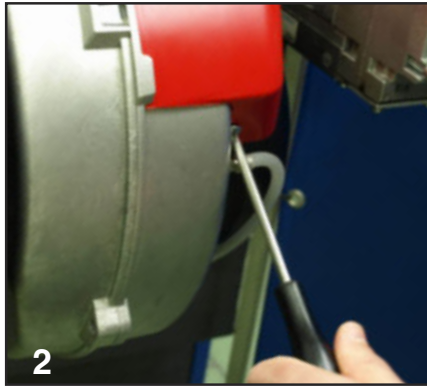
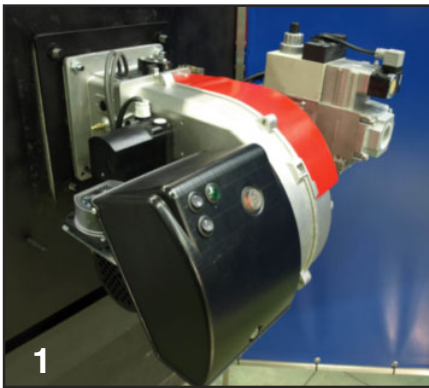
- С целью упрощения контроля установите дисплей для визуализации температуры отходящих газов.



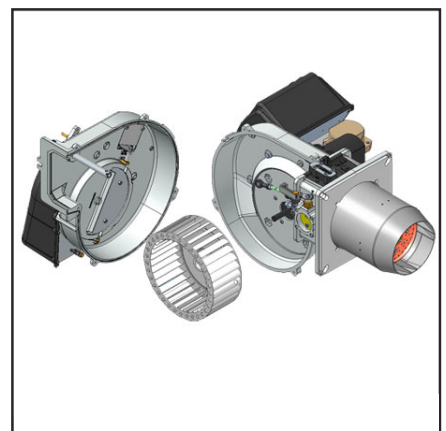
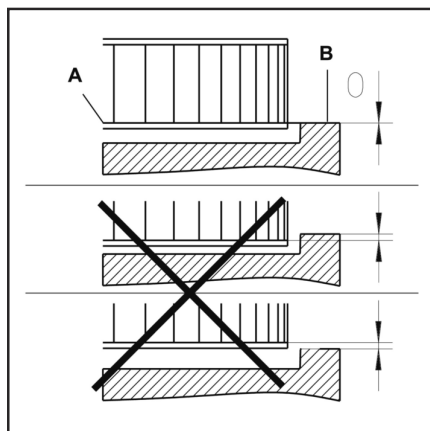
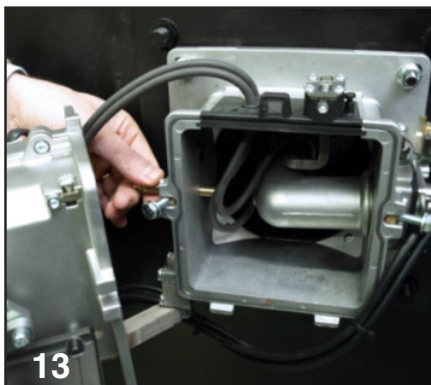
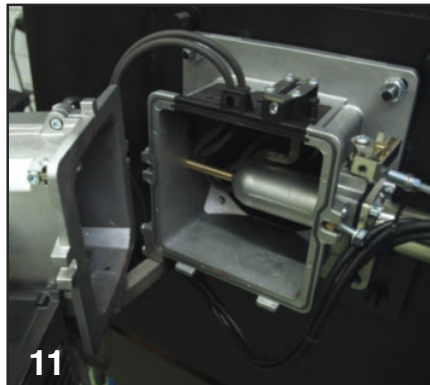
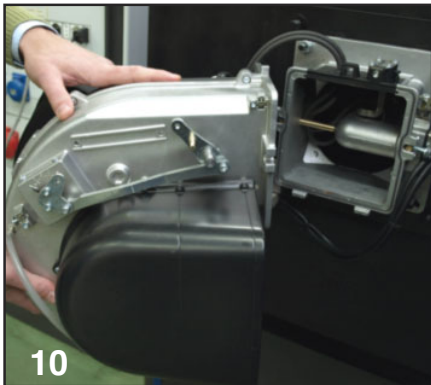
По окончании выполнения технического обслуживания, чистки или контроля, следует установить на место кожух и все устройства безопасности и защиты горелки.

Удаление стрельбы головы

- Смотрите фотографии в порядке.



Сервис - Работы по техническому обслуживанию

**Монтаж вентилятора**

При замене электродвигателя или рабочего колеса вентилятора сверяйтесь с приведенной выше схемой установки. Внутренняя сторона А фланца рабочего колеса должна быть на одном уровне с панелью В. Вставьте линейку между лопатками рабочего колеса и приведите элементы А и В к одному уровню, затяните винт без головки на рабочем колесе вентилятора (положение техобслуживания 1).

**Техобслуживание горелки**

- Все компоненты системы подачи топлива (шланги, трубопроводы) и их соединения должны быть проверены (герметичность, износ) и, при необходимости, заменены.
- Проверьте все электрические подключения и кабели, при необходимости замените их.
- Проверьте состояние газового фильтра, очистите или замените его.
- Проверьте рабочее колесо вентилятора и корпус и убедитесь, что они не повреждены.
- Проверьте и очистите головку горелки.
- Проверьте электроды поджига, при необходимости отрегулируйте или замените их.
- Запустите горелку, проверьте параметры горения и, при необходимости, откорректируйте регулировки горелки.

- Проверьте настройку реле давления воздуха и реле давления газа.
- Проверьте регулировку газовой рампы.
- Проверьте работу горелки.

Техническое - Возможные неполадки

Причины неисправностей и способы их устранения

При сбое в работе должны быть проверены нормальные условия для работы горелки:

1. Есть электрический ток?
2. Есть давление газа?
3. Газовый кран открыт?
4. Правильно ли настроены все регулирующие и предохранительные устройства, такие как термостат котла, датчик уровня воды, электрические концевые выключатели?

Если неисправность сохраняется, используйте таблицу ниже.



Компоненты системы безопасности не подлежат

ремонту; они должны заменяться компонентами с тем же артикулом.



Используйте только оригинальные запасные части.



В случае остановки горелки, во избежание ущерба установке, не следует разблокировать горелку более двух раз подряд. Если горелка блокируется в третий раз, свяжитесь со службой технической помощи.

Примечание: после проведения любых работ:
- выполните проверку параметров горения в реальных условиях

эксплуатации (дверцы закрыты, кожух установлен и т. д.).

- запишите результаты в соответствующие документы

Обслуживание

Периодическое обслуживание

Периодическое обслуживание горелки (головки, электродов и т.д.) должно выполняться квалифицированным персоналом. В зависимости от условий эксплуатации это делается один или два раза в год. Прежде чем приступить к проверке и последующему обслуживанию горелки рекомендуется произвести её общий осмотр.

Для этого:

- отключить энергоснабжение горелки (вытащить штекер из розетки);
- закрыть отсечной газовый кран;
- снять крышку горелки, прочистить вентилятор и всасывающий воздуховод;
- прочистить головку горелки и проверить положение электродов;
- установить обратно все детали;
- проверить герметичность газовых соединений;
- проверить дымоход;
- запустить горелку;
- измерить параметры горения

Прежде, чем выполнять дальнейшие операции, необходимо проверить, верно, что:

- напряжение подается на установку, а

горелка подключена;
- в сети имеется требуемое давление газа, и отсечной газовый кран находится в открытом положении;
- предохранительные устройства и приборы управления подключены правильно;
Если все вышеупомянутые условия соблюдены, нажатием кнопки перезапуска запустить горелку. Проверить рабочий цикл горелки.

Не происходит запуск горелки:

- Проверить выключатель, термостаты, двигатель и давление газа.

После предварительной продувки происходит блокировка горелки:

- Проверить давление газа и вентилятор.
- Проверить реле давления воздуха.

После предварительной продувки розжиг горелки не происходит:

- Проверить правильность установки электродов и их положение.
- Проверить провод розжига.
- Проверить трансформатор розжига.
- Проверить предохранительные устройства.

После розжига по истечении времени аварийной остановки происходит блокировка горелки:

- Проверить правильность подключения фазы и нуля.
- Проверить газовые электроклапаны.
- Проверить положение и правильность подключения электрода обнаружения пламени.
- Проверить состояние самого электрода обнаружения пламени.
- Проверить предохранительные устройства.

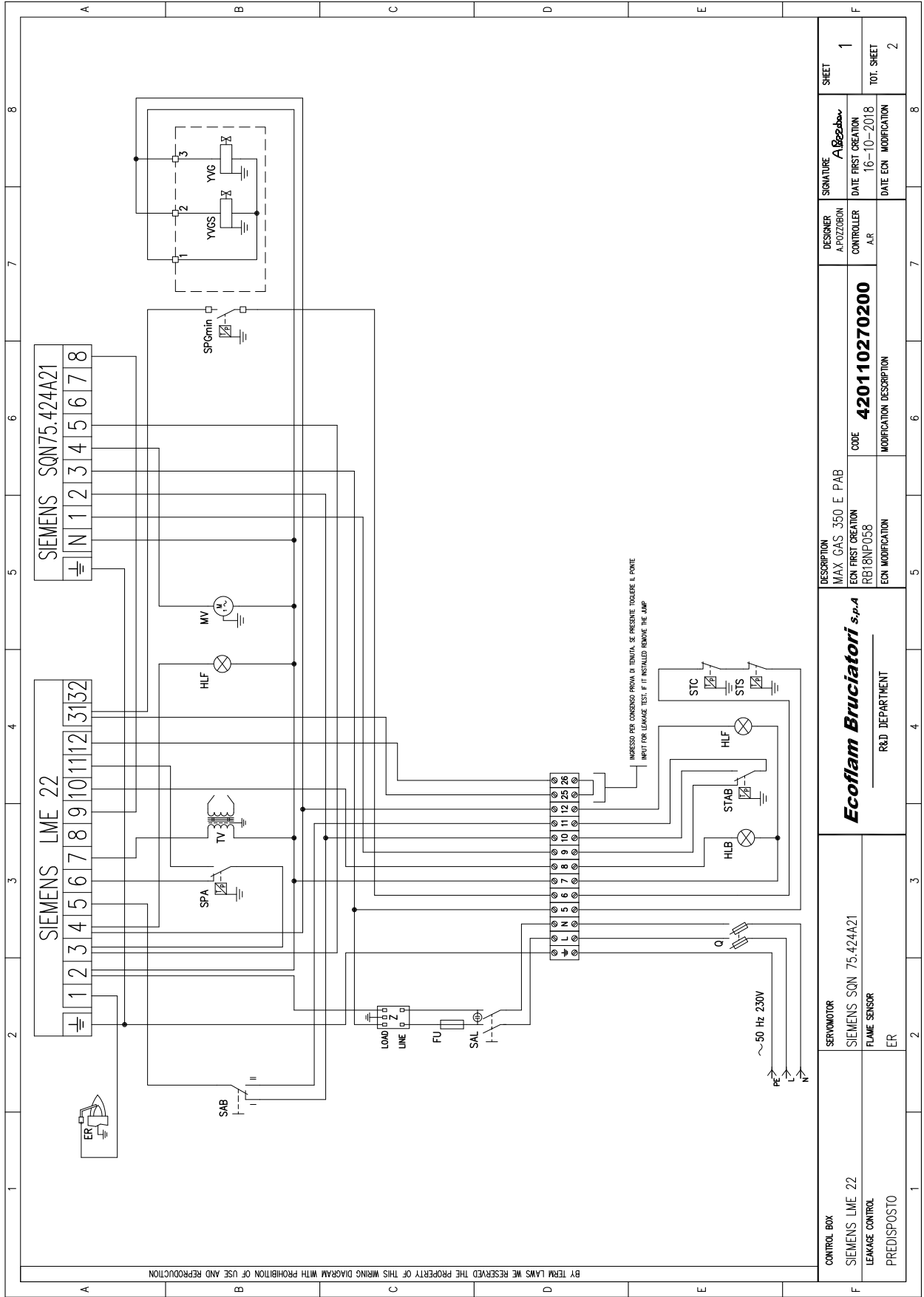
Блокировка горелки происходит после ее непродолжительной нормальной работы:

- Проверить регулятор давления газа и газовый фильтр.
- Проверить давление газа с помощью манометра.
- Проверить параметры обнаружения пламени.

Таблица кода ошибки

Код красного мигания сигнальной лампы(LED)	«AL» на клм. 10	Возможная причина
2 мигания	Вкл	Нет стабилизации пламени в конце «TSA» - неисправные или грязные топл. клапаны - неисправный или грязн. датчик пламени - плохая настройка горелки, нет топлива - неисправная система зажигания
3 мигания	Вкл	Неисправное реле «LP» - потеря сигнала давления воздуха после «t10» - контакты реле «LP» залипли в норм. положении
4 мигания	Вкл	Посторонний свет при пуске горелки
5 мигания	Вкл	Time out «LP» залипание контактов «LP» в рабоч.положении
6 мигания	Вкл	свободно
7 мигания	Вкл	Частое пропадание пламени во время работы (ограничение повторений) - неисправные или грязные топл. клапаны - неисправный или грязн. датчик пламени - плохая настройка горелки
8 мигания	Вкл	свободно
9 мигания	Вкл	свободно
10 мигания	Выкл	Ошибка в разводке проводов или внутренняя ошибка, контакты вывода, другие отказы
14 мигания	Вкл	Не замкнут контакт CPI

Overview - Electric diagrams / Panoramica - Schemi elettrici / Vue d'ensemble - Schémas électrique / Descripción - Esquemas eléctrico /
Обзор - Электрические схемы

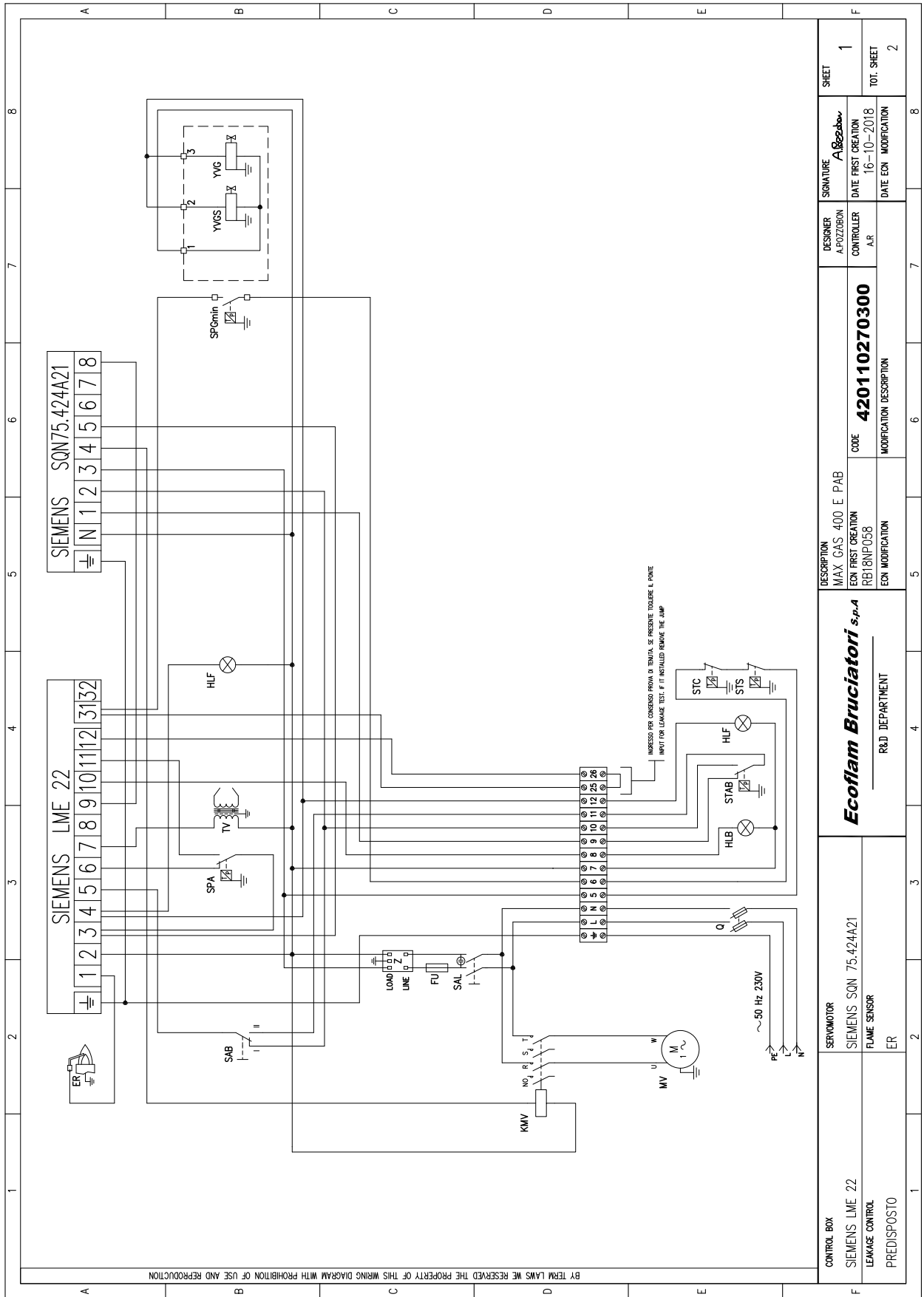


CONTROL BOX	SERVOMOTOR	DESCRIPTION	DESIGNER	SIGNATURE	SHEET
SIEMENS LME 22	SIEMENS SQN 75.424A21	MAX GAS 350 E PAB	A. POZZOBON	A. Pozzobon	1
LEAKAGE CONTROL	FLAME SENSOR	ECON FIRST CREATION	CONTROLLER	DATE FIRST CREATION	TOT. SHEET
PREDISPONTO	ER	RB18NP058	A.R.	16-10-2018	2
		ECON MODIFICATION	MODIFICATION DESCRIPTION	DATE ECON MODIFICATION	
			R&D DEPARTMENT		

Overview - Electric diagrams / Panoramica - Schemi elettrici / Vue d'ensemble - Schémas électrique / Descripción - Esquemas eléctrico /
Обзор - Электрические схемы

1		2		3		4		5		6		7		8		
Q	INTERRUTTORE GENERALE CON FUSIBILE GENERAL SWITCH WITH FUSIBLE INTERRUPTEUR GENERAL AVEC FUSIBLE INTERRUPTOR GENERAL CON FUSIBLE	SAB	INTERRUTTORE ALTA-BASSA FIAMMA HIGH-LOW FLAME THERMOSTAT INTERRUPTEUR GRANDE-PETITE ALLURE INTERRUPTOR DE ALTA-BAJA LLAMA													
Z	FILTRO ANTIDISTURBO ANTI-JAMMING FILTER FILTRE ANTIPARASITES FILTRO DE PROTECCION ANTIDISTURBO	STAB	TERMOSTATO DI ALTA-BASSA FIAMMA HIGH-LOW FLAME THERMOSTAT THERMOSTAT GRANDE-PETITE ALLURE TERMOSTATO DE ALTA-BAJA LLAMA													
ER	ELETTRODO DI RIVELAZIONE IONISATION PROBE ELECTRODE D'IONISATION ELECTRODO DE IONIZACION															
FU	FUSIBILE FUSIBLE FUSIBLE FUSIBLE															
SAL	INTERRUTTORE DI LINEA WORKING SWITCH INTERRUPTEUR DE LIGNE INTERRUPTOR DE LINEA															
MV	MOTORE VENTILATORE MOTOR FAN MOTEUR VENTILATEUR MOTOR VENTILADOR															
TV	TRASFORMATORE IGNITION TRANSFORMER TRANSFORMATEUR D'ALLUMAGE TRANSFORMADOR															
HLB	LAMPADA DI BLOCCO LOOK-OUT LAMP LAMPE DE SECURITE ESPIA DE BLOQUEO															
SPA	PRESSOSTATO ARIA AIR-PRESSURE SWITCH PRESOSTAT AIR PRESOSTATO AIRE															
STC	TERMOSTATO CALDAIA BOILER THERMOSTAT THERMOSTAT CHAUDIERE TERMOSTATO CALDERA															
STS	TERMOSTATO DI SICUREZZA SAFETY THERMOSTAT THERMOSTAT DE SECURITE TERMOSTATO DE SEGURIDAD															
YVG	ELETTROVALVOLA GAS GAS SOLENOID VALVE ELECTROVANNE GAZ ELECTROVALVULA DE GAS															
YVGS	ELETTROVALVOLA GAS DI SICUREZZA EXTRA SAFETY GAS SOLENOID VALVE ELECTROVANNE GAZ DE SECURITE ELECTROVALVULA GAS DE SEGURIDAD															
SP0min	PRESSOSTATO GAS DI MINIMA GAS PRESSURE SWITCH MIN PRESOSTAT GAZ PRESSION MIN PRESOSTATO GAS DE MINIMA POT.															
HLF	LAMPADA DI FUNZIONAMENTO WORKING LAMP LAMPE DE FONCTIONNEMENT ESPIA DE FUNCIONAMIENTO															
CONTROL BOX		SERVO MOTOR	Ecoflam Bruciatori s.p.a		DESCRIPTION MAX GAS 350 E PAB		DESIGNER A. POZZOBON	SIGNATURE A. Pozzobon		SHEET 2						
SIEMENS LME 22		SIEMENS SON 75.424A21	R&D DEPARTMENT		ECN FIRST CREATION RBI18NP058		CONTROLLER A.R.	DATE FIRST CREATION 16-10-2018		DATE ECN MODIFICATION		TOT. SHEET 2				
LEAKAGE CONTROL		FLAME SENSOR			CODE 420110270200		MODIFICATION DESCRIPTION									
PREDISPOSTO		ER			ECN MODIFICATION											

Overview - Electric diagrams / Panoramica - Schemi elettrici / Vue d'ensemble - Schémas électrique / Descripción - Esquemas eléctrico /
Обзор - Электрические схемы

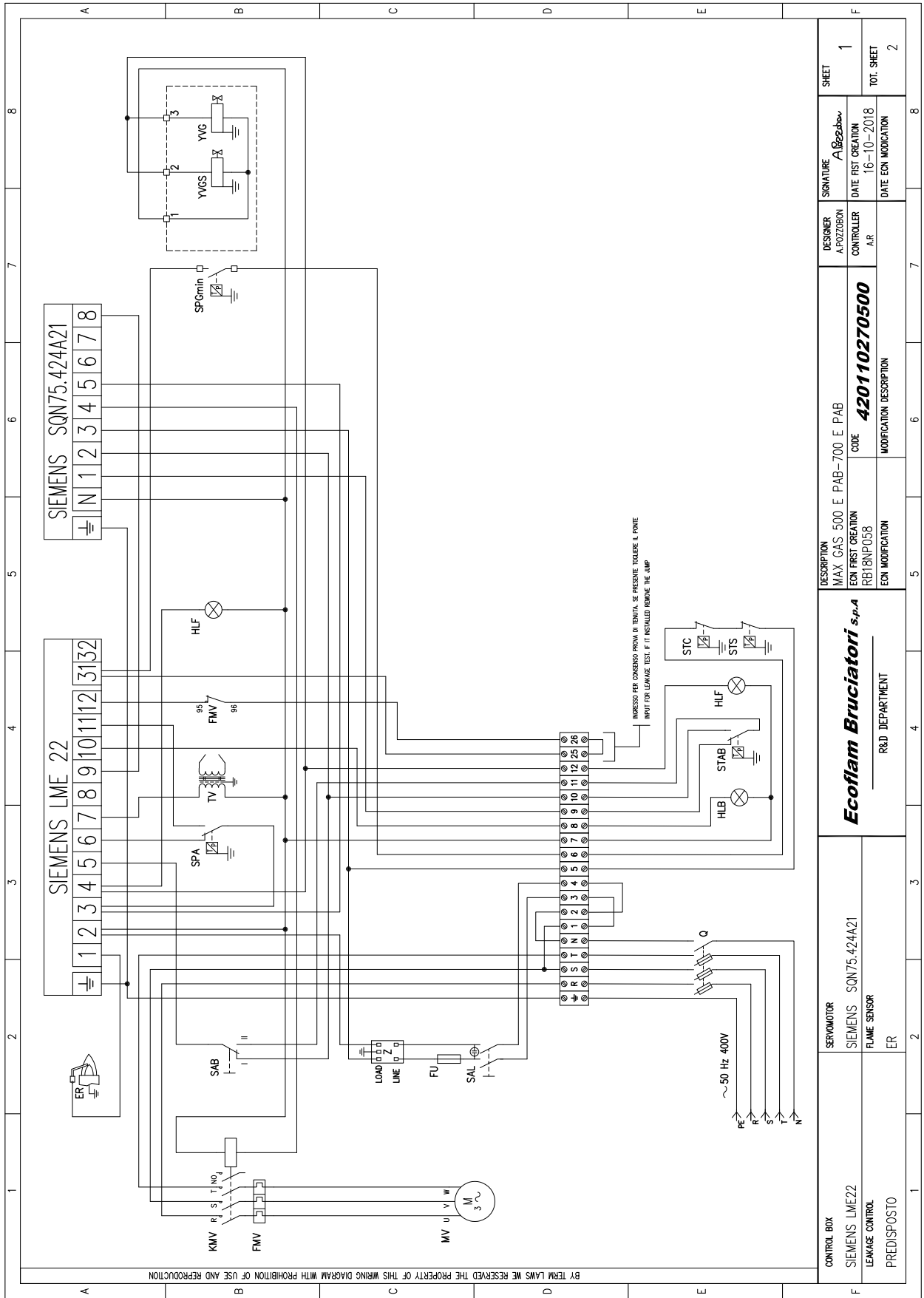


CONTROL BOX		SERVOMOTOR		DESCRIPTION		DESIGNER		SIGNATURE		SHEET	
SIEMENS LME 22		SIEMENS SQN 75.424A21		MAX GAS 400 E PAB		A. POZZOBON		A. Pozzobon		1	
LEAKAGE CONTROL		FLAME SENSOR		ECON FIRST CREATION RB18NP058		CONROLLER		DATE FIRST CREATION 16-10-2018		TOT. SHEET	
PREDISPOSTO		ER		ECON MODIFICATION		A.R.		DATE ECON MODIFICATION		2	
		R&D DEPARTMENT		MODIFICATION DESCRIPTION							

Overview - Electric diagrams / Panoramica - Schemi elettrici / Vue d'ensemble - Schémas électrique / Descripción - Esquemas eléctrico /
Обзор - Электрические схемы

1		2		3		4		5		6		7		8	
A		B		C		D		E		F		F		F	
BY TRM LAMS WE RESERVED THE PROPERTY OF THIS WIRING DIAGRAM WITH PROHIBITION OF USE AND REPRODUCTION															
Q	INTERRUTTORE GENERALE CON FUSIBILE GENERAL SWITCH WITH FUSIBLE INTERRUPTEUR GENERAL AVEC FUSIBLE INTERRUPTOR GENERAL CON FUSIBLE	SAB	INTERRUTTORE ALTA-BASSA FIAMMA HIGH-LOW FLAME INTERRUPTEUR DE ALTA-BAJA LLAMA												
Z	FILTRO ANTIDISTURBO ANTI-JAMMING FILTER FILTRE ANTIPARASITES FILTRO DE PROTECCION ANTIDISTURBO	STAB	TERMOSTATO DI ALTA-BASSA FIAMMA HIGH-LOW FLAME THERMOSTAT THERMOSTAT GRANDE-PETITE ALLURE THERMOSTATO DE ALTA-BAJA LLAMA												
ER	ELETTRODO DI RIVELAZIONE IONISATION PROBE ELECTRODE D'IONISATION ELECTRODO DE IONIZACION	KWV	CONTATTATORE MOTORE VENTILATORE REMOTE CONTROL SWITCH (FAN MOTOR) CONTACTEUR MOTEUR VENTILATEUR TELEINTERRUPTOR MOTOR VENTILATOR												
FU	FUSIBILE FUSIBLE FUSIBLE														
SAL	INTERRUTTORE DI LINEA WORKING SWITCH INTERRUPTEUR DE LIGNE INTERRUPTOR DE LINEA														
MV	MOTORE VENTILATORE MOTOR FAN MOTEUR VENTILATEUR MOTOR VENTILADOR														
TV	TRASFORMATORE IONITION TRANSFORMER TRANSFORMATEUR D'ALLUMAGE TRANSFORMADOR														
HLB	LAMPADA DI BLOCCO LOCK-OUT LAMP LAMPE DE SECURITE ESPIA DE BLOQUEO														
SPA	PRESSOSTATO ARIA AIR PRESSURE SWITCH PRESSOSTAT AIR PRESOSTATO AIRE														
STC	TERMOSTATO CALDAMA BOILER THERMOSTAT THERMOSTAT CHAUDIERE THERMOSTATO CALDERA														
STS	TERMOSTATO DI SICUREZZA SAFETY THERMOSTAT THERMOSTAT DE SECURITE THERMOSTATO DE SEGURIDAD														
YVG	ELETTROVALVOLA GAS GAS SOLENOID VALVE ELECTROVANNE GAZ ELECTROVALVULA DE GAS														
YVGS	ELETTROVALVOLA GAS DI SICUREZZA EXTRA SAFETY GAS SOLENOID VALVE ELECTROVANNE GAZ DE SECURITE ELECTROVALVULA GAS DE SEGURIDAD														
SPGmin	PRESSOSTATO GAS DI MINIMA GAS PRESSURE SWITCH MIN PRESSOSTAT GAZ PRESSION MIN PRESOSTATO GAS DE MINIMA POT.														
HLF	WORKING LAMP LAMPADA DI FUNZIONAMENTO LAMPE DE FONCTIONNEMENT ESPIA DE FUNCIONAMIENTO														
CONTROL BOX		SERVOMOTOR		Ecoflam Bruciatori s.p.a		R&D DEPARTMENT		DESCRIPTION MAX GAS 400 E PAB		DESIGNER A. POZZOBON		SIGNATURE A. POZZOBON		SHEET 2	
SIEMENS LIME 22		SIEMENS SON 75.424A21		CODE 420110270300		ECON FIRST CREATION RBI18NF056		ECON FIRST CREATION 18-02-2010		CONTROLLER A.R.		DATE EON MODIFICATION		TOT. SHEET 2	
LEAKAGE CONTROL		FLAME SENSOR		MODIFICATION DESCRIPTION		ECON MODIFICATION		DATE EON MODIFICATION							
PREDISPOSTO		ER													

Overview - Electric diagrams / Panoramica - Schemi elettrici / Vue d'ensemble - Schémas électrique / Descripción - Esquemas eléctrico /
Обзор - Электрические схемы



CONTROL BOX	SERVOMOTOR	SIEMENS SQN75.424A21	DESIGNER	A. POZZORON	SIGNATURE	A. Pozzoron	SHEET	1
	LEAKAGE CONTROL	ER	CONTROLLER	A.R.	DATE FIRST CREATION	16-10-2018	TOT. SHEET	2
SIEMENS LME22	FLAME SENSOR	ER	DESCRIPTION	MAX. GAS 500 E PAB-700 E PAB	CODE	420110270500		
PREDISPOSTO			EON FIRST CREATION	RB18NPO58	MODIFICATION DESCRIPTION			
			EON MODIFICATION					
			R&D DEPARTMENT					

Overview - Electric diagrams / Panoramica - Schemi elettrici / Vue d'ensemble - Schémas électrique / Descripción - Esquemas eléctrico /
Обзор - Электрические схемы

		1	2	3	4	5	6	7	8
A									
B									
C									
D									
E									
F									

Q	INTERRUTTORE GENERALE CON FUSIBILE MAIN SWITCH WITH FUSE INTERRUPTEUR GENERAL AVEC FUSIBLE INTERRUPTOR GENERAL CON FUSIBLE	SPGmin PRESSOSTATO GAS DI MINIMA GAS PRESSURE SWITCH MIN PRESSOSTAT GAZ PRESSION MIN PRESSOSTATO GAS DE MINIMA POT.
Z	FILTRO ANTIDISTURBO ANTI-DAMPING FILTER FILTRE ANTI-PARASITES FILTRO DE PROTECCION ANTIDISTURBIO	HLF LAMPADA DI FUNZIONAMENTO WORKING LAMP LAMPE DE FONCTIONNEMENT ESPIA DE FONCONNEMENT
ER	ELETTRODO DI RIVELAZIONE IONISATION PROBE ELECTRODE D'IONISATION ELECTRODO DE IONIZACION	SAB INTERRUTTORE ALTA-BASSA FIAMMA HIGH-LOW SWITCH INTERRUPTEUR GRANDE-PETITE ALLURE INTERRUPTOR DE ALTA-BAJA LLAMA
FU	FUSIBILE FUSE FUSIBLE FUSIBLE	STAB TERMOSTATO DI ALTA-BASSA FIAMMA HIGH-LOW FLAME THERMOSTAT THERMOSTAT GRANDE-PETITE ALLURE TERMOSTATO DE ALTA-BAJA LLAMA
SAL	INTERRUTTORE DI LINEA WORKING SWITCH INTERRUPTEUR DE LIGNE INTERRUPTOR DE LINEA	
MV	MOTORE VENTILATORE MOTOR FAN MOTEUR VENTILATEUR MOTOR VENTILADOR	
TV	TRASFORMATORE IGNITION TRANSFORMER TRANSFORMATEUR D'ALLUMAGE TRANSFORMADOR	
FMV	RELE TERMICO MOTORE VENTILATORE MOTOR THERMAL RELAY (FAN MOTOR) RELAIS THERMIQUE MOTEUR VENTILATEUR RELE TERMICO MOTOR VENTILADOR	
HLB	LAMPADA DI BLOCCO LOCK-OUT LAMP LAMPE DE SECURITE ESPIA DE BLOQUEO	
KMV	CONTATTATORE MOTORE VENTILATORE REMOTE CONTROL SWITCH (FAN MOTOR) CONTACTEUR MOTEUR VENTILATEUR TELEINTERRUPTOR MOTOR VENTILATOR	
SPA	PRESSOSTATO ARIA AIR PRESSURE SWITCH PRESSOSTAT AIR PRESSOSTATO AIRE	
STC	TERMOSTATO CALDAIA BOILER THERMOSTAT THERMOSTAT CHAUDIERE TERMOSTATO CALDERA	
STS	TERMOSTATO DI SICUREZZA SAFETY THERMOSTAT THERMOSTAT DE SECURITE TERMOSTATO DE SEGURIDAD	
YVG	ELETTROVALVOLA GAS GAS SOLENOID VALVE ELECTROVANNE GAZ ELECTROVALVULA DE GAS	
YVGS	ELETTROVALVOLA GAS DI SICUREZZA EXTRA SAFETY GAS SOLENOID VALVE ELECTROVANNE GAZ DE SECURITE ELECTROVALVOLA GAS DE SEGURIDAD	

BY THESE TERMS WE RESERVE THE PROPERTY OF THIS WIRING DIAGRAM WITH PROHIBITION OF USE AND REPRODUCTION	
CONTROL BOX	SERVOMOTOR
SIEMENS LME22	SIEMENS SONT5.424A21
LEAKAGE CONTROL	FLAME SENSOR
PREDISPOSTO	ER

DESCRIPTION	MAX GAS 500 E PAB-700 E PAB	DESIGNER	A. POZZOBON	SIGNATURE	A. Pozzobon	SHEET	2
ECON FIRST CREATION	RBI18N056	CONTROLLER	A.R.	DATE FIRST CREATION	16-10-2018	TOT. SHEET	2
ECON MODIFICATION		MODIFICATION DESCRIPTION		DATE ECON MODIFICATION			

Overview - Spare parts list / Panoramica - Parti di ricambio / Vue d'ensemble - Pièces de rechange / Descripción - Piezas de recambio / Обзор - Запчасти

N°	DESCRIPTION	DESCRIZIONE	DESIGNATION	DESCRIPCION	НАИМЕНОВАНИЕ	MAX GAS 350 E PAB code	MAX GAS 400 E PAB code
0010	AIR PRESSURE SWITCH	PRESSOSTATO ARIA	PRESSOSTAT AIR	PRESOSTATO AIRE	РЕЛЕ ДАВЛЕНИЯ ВОЗДУХА	13007823	13007823
0020	AIR INTAKE SET	GRUPPO PRESE ARIA	SET DE PRISES D'AIR	COJUNTO TOMAS DE AIRE	ВОЗДУХОЗАБОР В СБОРЕ	65325211	65325211
0030	BURNER COVER	COFANO	COUVERCLE DU BRULEUR	TAPA DE QUEMADOR	КОЖУХ	65324704	65324704
0040	MOTOR	MOTORE	MOTEUR	MOTOR	ДВИГАТЕЛЬ	65324698	-
0050	CAPACITOR	CONDENSATORE	CONDENSATEUR	CONDENSADOR	КОНДЕНСАТОР	65321855	65324864
0060	FAN	VENTOLA	VENTILATEUR	VENTILADOR	РАБОЧЕЕ КОЛЕСО ВЕНТИЛЯТОРА	65324709	65321854
0070	AIR INTAKE	CUFFIA	VOLET D'AIR	TOMA DE AIRE	ВОЗДУХОЗАБОР	65324870	65327832
0080	CONTROL BOX BASE	ZOCOLO	SOCLE	BASE DE LEQUIPO	МОНТАЖНАЯ ПЛАСТИНА АППАРАТУРЫ УПРАВЛЕНИЯ	65320092	65320092
0090	CONTROL BOX	APPARECCHIATURA DI CONTROLLO	COFFRET DE SECURITE	EQUIPO CONTROL LLAMA	СИСТЕМА БЕЗОПАСНОСТИ	65324042	65324042
0100	IGNITION TRANSFORMER	TRASFORMATORE	TRANSFORMATEUR D'ALLUMAGE	TRANSFORMADOR	ТРАНСФОРМАТОР	65323258	65323258
0110	REMOTE CONTROL SWITCH	CONTATTORE	TELERUPTEUR	EMPALME MOTOR VENTILADOR	КОНТРОЛЬНАЯ АППАРАТУРА	65074309	65074309
0120	MOTOR THERMAL RELAY	RELE TERMICO	RELAIS THERMIQUE	TERMICO	ТЕПЛОЕ РЕЛЕ ДВИГАТЕЛЯ	-	-
0130	MAIN SWITCH	INTERRUTTORE DI LAVORO	INTERRUPTEUR DE TRAVAIL	INTERRUPTOR DE LINEA	ГЛАВНЫЙ ВЫКЛЮЧАТЕЛЬ	65324696	65324696
0140	HIGH-LOW FLAME SWITCH	INTERRUTTORE 1°-2° FIAMMA	INTERRUPTEUR TRE. ET 2ME. ALLURE	INTERRUPTOR 1°-2° LLAMA	ПЕРЕКЛЮЧАТЕЛЬ БОЛЬШОГО МАЛОГО ГОРЕНИЯ	6524687	6524687
0150	LAMP	LAMPADA	LAMPE	ESPIA	ИНДИКАТОРНАЯ ЛАМПОЧКА	65324695	65324695
0160	FUSE SUPPORT	PORTA FUSIBILE	PORTEFUSIBLE	PORTAFUSIBLE	ПНЕЗДО ПЛАВКОГО ПРЕДОХРАНИТЕЛЯ	65324279	65324279
0170	ANTI-FLAMMING FILTER	FILTRO ANTIDISTURBO	FILTRE ANTIPARASITES	FILTRO ANTISTRATORMO	ФИЛЬТР ПОДАВЛЕНИЯ ПОМЕХ	65323170	65323170
0180	COVER	COVERCHIO	COUVERCLE	CAJA DE PROTECCION	КРЫШКА	65324705	65323053
0190	PRESSURE PORT	PRESA PRESSIONE	PRISE DE PRESSION	ACCESO DE PRESSION	ПОРТ ДАВЛЕНИЯ	65324691	65324691
0200	PRESSURE PORT SUPPORT	SUPPORT PRESA PRESSIONE	SUPPORT PRISE DE PRESSION	SOPORTE ACCESO DE PRESSION	ПОРТ ДАВЛЕНИЯ ПОДДЕРЖКИ	65320946	65320946
0210	IONIZATION CABLE	CAVO DI RIVELAZIONE	CABLE D'IONISATION	CABLE DE IONIZACION	ПРОВОД ОБНАРУЖЕНИЯ ФАКЕЛА	65320947	65320947
0220	IGNITION CABLE	CAVO DI ACCENSIONE	CABLE D'ALLUMAGE	CABLE DE ENCENDIDO	ПРОВОД РОЗЖИГА	65326132	65326132
0230	IONIZATION PROBE	ELETTRODO DI RIVELAZIONE	SONDE D'IONISATION	ELECTRODO DE IONIZACION	ЭЛЕКТРОД ОБНАРУЖЕНИЯ ФАКЕЛА	65327874	65327874
0240	IGNITION ELECTRODE	ELETTRODO DI ACCENSIONE	ELECTRODE D'ALLUMAGE	ELECTRODO DE ENCENDIDO	ЭЛЕКТРОД РОЗЖИГА	65324331	65324331
0250	ROD	ASTINA REGOLAZIONE TESTA	SUPPORT TETE DE COMBUSTION	SOPORTE CABEZA DE COMBUSTION	РЕГУЛИРОВОЧНЫЙ ШТОК ОГНЕВОЙ ГОЛОВКИ	65324692	65324692
0260	ORING	ORING	ORING	ORING	УПЛОТНИТЕЛЬНОЕ КОЛЬЦО	65324700	65324700
0270	HEAD SUPPORT PIPE ELBOW	CURVA TUBO SUPPORTO TESTA	COURBE TUYAUTERIE TETE	ODOO	ГОЛОВНОЙ ЛОКОТЬ ТРУБЫ ПОДДЕРЖКИ	65324702	65324702
0280	HEAD SUPPORT PIPE	TUBO SUPPORTO TESTA	TUYAUTERIE	TUBO	КРЕПЕЖНАЯ ТРУБКА ОГНЕВОЙ ГОЛОВКИ	65324711	65324711
0290	FIRING HEAD	TESTA DI COMBUSTIONE	TETE DE COMBUSTION	CABEZA DE COMBUSTION	ОГНЕВАЯ ГОЛОВКА	65324694	65324694
0300	HEAD CAP	TAPPO TESTA	CALOTTE TETE	TAPA CABEZA DE COMBUSTION	ЗАГЛУШКА ОГНЕВОЙ ГОЛОВКИ	65324539	65324539
0310	DIFFUSER	TERMINALE DIFFUSORE	DIFFUSEUR	DIFFUSOR	РАССЕКАТЕЛЬ	65324714	65324714
0320	NOZZLE GROUP	GRUPPO UGELLO	GRUPE MENTONNET	GRUPO TUBO ANTERIOR	ПЕРЕДНЯЯ ВСТАВКА	65324716	65324716
0330	DISC	DISCO	DISQUE	DISCO	ПЕРЕДНИЙ ДИСК	65324717	65324717
0340	INNER ASSEMBLY	GRUPPO TESTA DI COMBUSTIONE	GRUPE TETE DE COMBUSTION	GRUPO CABEZA DE COMBUSTION	ОГНЕВАЯ ГОЛОВКА В СБОРЕ	65324708	65324708
0350	BLAST TUBE	BOCCAGLIO	GUEULARD	TUBO LLAMA	СТАКАН	65324729	65324729
0360	GASKET	GUARNIZIONE	JOINT	JUNTA	УПЛОТНИТЕЛЬНАЯ ПРОКЛАДКА	65324706	65324706
0370	HEAD SETTING GROUP	GRUPPO REGOLAZIONE TESTA	GRUPE REGLAGE TETE	GRUPO DE CABEZA AJUSTE	ГРУППА УСТАНОВКИ ГОЛОВА	65324701	65324701
0380	AIR DAMPER MOTOR	MOTORIDUTTORE	SERVOMOTEUR	MOTORREDUCTOR	СЕРВОПРИВОД	65326006	65326006

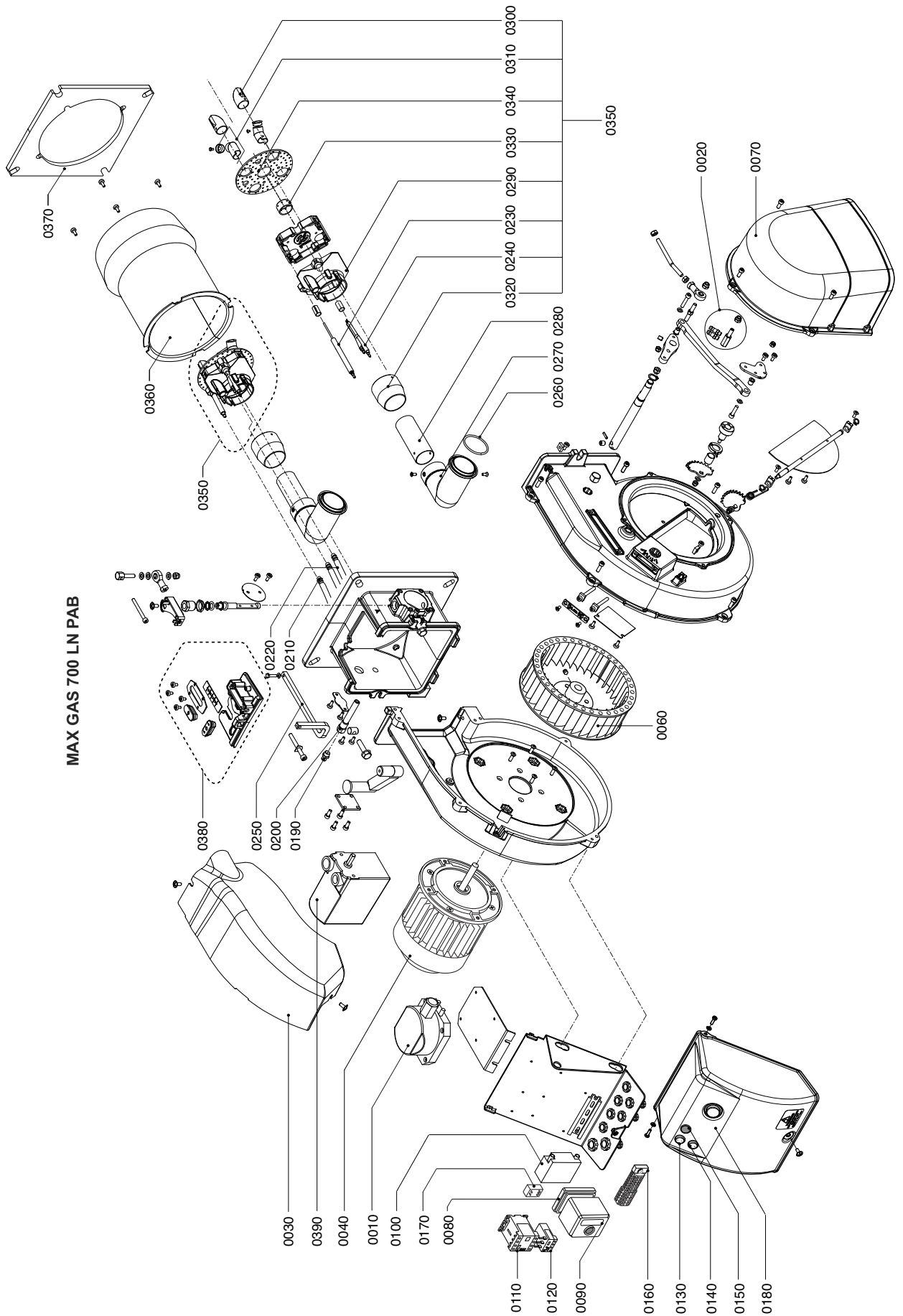
TC = Testa corta / Short Head / Tete courte / Cabeza corta / Короткая жаровая труба TL = Testa lunga / Long Head / Tete longue / Cabeza larga / Длинная жаровая труба

Overview - Spare parts list / Panoramica - Parti di ricambio / Vue d'ensemble - Pièces de rechange / Descripción - Piezas de recambio /
Обзор - Запчасти

N°	DESCRIPTION	DESCRIZIONE	DESIGNATION	DESCRIPCION	НАИМЕНОВАНИЕ	MAX GAS 500 E PAB code
0010	AIR PRESSURE SWITCH	PRESSOSTATO ARIA	PRESSOSTAT AIR	PRESOSTATO AIRE	РЕЛЕ ДАВЛЕНИЯ ВОЗДУХА	13007823
0020	AIR INTAKE SET	GRUPPO PRESE ARIA	SET DE PRISSES D'AIR	COJUNTO TOMAS DE AIRE	LGW 10 A2	65325211
0030	BURNER COVER	COFANO	COUVERCLE DU BRULEUR	TAPA DE QUEMADOR	КОЖУХ	65324704
0040	MOTOR	MOTORE	MOTEUR	MOTOR	ДВИГАТЕЛЬ	65324699
0050	CAPACITOR	CONDENSATORE	CONDENSATEUR	CONDENSADOR	КОНДЕНСАТОР	-
0060	FAN	VENTOLA	VENTILATEUR	VENTILADOR	РАБОЧЕЕ КОЛЕСО ВЕНТИЛЯТОРА	65324710
0070	AIR INTAKE	CUFFIA	VOLET D'AIR	TOMA DE AIRE	200X80	65324870
0080	CONTROL BOX BASE	ZOCOLO	SOLE	BASE DEL EQUIPO	СИЕМENS	65320092
0090	CONTROL BOX	APPARECCHIATURA DI CONTROLLO	COFFRET DE SECURITE	EQUIPO CONTROL LLAMA	КОНТРОЛЬНАЯ АППАРАТУРА	65324042
0100	IGNITION TRANSFORMER	TRASFORMATORE	TRANSFORMATEUR D'ALLUMAGE	TRANSFORMADOR	ТРАНСФОРМАТОР	65323258
0110	REMOTE CONTROL SWITCH	CONTATTORE	TELEURTEUR	EMPALME MOTOR VENTILADOR	ДИСТАНЦИОННЫЙ ПУСКАТЕЛЬ	65074309
0120	MOTOR THERMAL RELAY	RELE TERMICO	RELAIS THERMIQUE	TERMINICO	ТЕПЛОВОЕ РЕЛЕ ДВИГАТЕЛЯ	65074493
0130	MAIN SWITCH	INTERRUTTORE DI LAVORO	INTERRUPTEUR DE TRAVAIL	INTERRUPTOR DE LINEA	ГЛАВНЫЙ ВЫКЛЮЧАТЕЛЬ	65324696
0140	HIGH-LOW FLAME SWITCH	INTERRUTTORE 1°-2° FIAMMA	INTERRUPTEUR 1RE. ET 2ME. ALLURE	INTERRUPTOR 1°-2° LLAMA	ПЕРЕКЛЮЧАТЕЛЬ БОЛЬШОГО/МАЛОГО ГОРЕНИЯ	65324697
0150	LAMP	LAMPADA	LAMPE	ESPIA	ИНДИКАТОРНАЯ ЛАМПОЧКА	65324695
0160	FUSE SUPPORT	PORTA FUSIBILE	PORTEFUSIBLE	PORTAFUSIBLE	НЕЗДО ПЛАВКОГО ПРЕДОХРАНИТЕЛЯ	65324279
0170	ANTIPLAMMING FILTER	FILTRO ANTIDISTURBO	FILTRE ANTIPARASITES	FILTRO ANTITRASTORNO	ФИЛЬТР ПОДАВЛЕНИЯ ПОМЕХ	65323170
0180	COVER	COPERCHIO	COUVERCLE	CAJA DE PROTECCION	КРЫШКА	65324705
0190	PRESSURE PORT	PRESA PRESSIONE	PRISE DE PRESSION	ACCESO DE PRESSION	ПОРТ ДАВЛЕНИЯ	65323053
0200	PRESSURE PORT SUPPORT	SUPPORTO PRESA PRESSIONE	SUPPORT PRISE DE PRESSION	SOPORTE ACCESO DE PRESSION	ПОРТ ДАВЛЕНИЯ ПОДДЕРЖКИ	65324691
0210	IONIZATION CABLE	CAVO DI RIVELAZIONE	CABLE D'IONISATION	CABLE DE IONIZACION	ПРОВОД ОБНАРУЖЕНИЯ ФАКЕЛА	65320946
0220	IGNITION CABLE	CAVO DI ACCENSIONE	CABLE D'ALLUMAGE	CABLE DE ENCENDIDO	ПРОВОД РОЗЖИГА	65320947
0230	IONIZATION PROBE	ELETTRODO DI RIVELAZIONE	SONDE D'IONISATION	ELECTRODO DE IONIZACION	ЭЛЕКТРОД ОБНАРУЖЕНИЯ ФАКЕЛА	65327874
0240	IGNITION ELECTRODE	ELETTRODO DI ACCENSIONE	ELECTRODE D'ALLUMAGE	ELECTRODO DE ENCENDIDO	ЭЛЕКТРОД РОЗЖИГА	65324331
0250	ROD	ASTINA REGOLAZIONE TESTA	SUPPORT TETE DE COMBUSTION	SOPORTE CABEZA DE COMBUSTION	РЕГУЛИРОВОЧНЫЙ ШТОК ОТ НЕВОЙ ГОЛОВКИ	65324692
0260	ORING	ORING	ORING	ORING	УПЛОТНИТЕЛЬНОЕ КОЛЬЦО	65324693
0270	HEAD SUPPORT PIPE ELBOW	CURVA TUBO SUPPORTO TESTA	COURBE TUYAERIE TETE	CODO	ГОЛОВНОЙ ЛОКОТЬ ТРУБЫ ПОДДЕРЖКИ	65324702
0280	HEAD SUPPORT PIPE	TUBO SUPPORTO TESTA	TUYAERIE	TUBO	КРЕПЕЖНАЯ ТРУБКА ОГНЕВОЙ ГОЛОВКИ	65324711
0290	FIRING HEAD	TESTA DI COMBUSTIONE	TETE DE COMBUSTION	CABEZA DE COMBUSTION	ОГНЕВАЯ ГОЛОВКА	65324712
0300	HEAD CAP	TAPO TESTA	CALOTTE TETE	TAPA CABEZA DE COMBUSTION	ЗАГЛУШКА ОГНЕВОЙ ГОЛОВКИ	65324539
0310	DIFFUSER	TERMINALE DIFFUSORE	DIFFUSEUR	DIFFUSOR	РАССЕКАТЕЛЬ	65324713
0320	NOZZLE GROUP	GRUPPO UGELLO	GRUPE MENTONNET	GRUPO TUBO ANTERIOR	ПЕРЕДНЯЯ ВСТАВКА	65324715
0330	DISC	DISCO	DISQUE	DISCO	ПЕРЕДНИЙ ДИСК	65324717
0340	INNER ASSEMBLY	GRUPPO TESTA DI COMBUSTIONE	GRUPE TETE DE COMBUSTION	GRUPO CABEZA DE COMBUSTION	ОГНЕВАЯ ГОЛОВКА В СБОРЕ	65324708
0350	BLAST TUBE	BOCCAGLIO	GUEULARD	TUBO LLAMA	СТАКАН	65324729
0360	GASKET	GUARNIZIONE	JOINT	JUNTA	УПЛОТНИТЕЛЬНАЯ ПРОКЛАДКА	65324707
0370	HEAD SETTING GROUP	GRUPPO REGOLAZIONE TESTA	GRUPE REGLAGE TETE	GRUPO DE CABEZA AJUSTE	ГРУППА УСТАНОВКИ ГОЛОВЫ	65324701
0380	AIR DAMPER MOTOR	MOTORIDUTTORE	SERVOMOTEUR	MOTORREDUCTOR	СЕРВОПРИВОД	65324262

TC = Testa corta / Short Head / Tete courte / Cabeza corta / КОРОТКАЯ ЖАРОВАЯ ТРУБА TL = Testa lunga / Long Head / Tete longue / Cabeza larga / ДЛИННАЯ ЖАРОВАЯ ТРУБА

Overview - Spare parts list / Panoramica - Parti di ricambio / Vue d'ensemble - Pièces de rechange / Descripción - Piezas de recambio /
Обзор - Запчасти



Overview - Spare parts list / Panoramica - Parti di ricambio / Vue d'ensemble - Pièces de rechange / Descripción - Piezas de recambio /
Обзор - Запчасти

N°	DESCRIPTION	DESCRIZIONE	DESIGNATION	DESCRIPCION	НАИМЕНОВАНИЕ	MAX GAS 700 LN PAB code
0010	AIR PRESSURE SWITCH	PRESSOSTATO ARIA	PRESSOSTAT AIR	PRESOSTATO AIRE	РЕЛЕ ДАВЛЕНИЯ ВОЗДУХА	13007823
0020	AIR INTAKE SET	GRUPPO PRESE ARIA	SET DE PRISES D'AIR	COJUNTO TOMAS DE AIRE	ВОЗДУХОЗАБОР В СБОРЕ	65325211
0030	BURNER COVER	COFANO	COUVERCLE DU BRULEUR	TAPA DE QUEMADOR	КОЖУХ	65324704
0040	MOTOR	MOTORE	MOTEUR	MOTOR	ДИВАТЕЛЬ	65322834
0050	CAPACITOR	CONDENSATORE	CONDENSATEUR	CONDENSADOR	КОНДЕНСАТОР	-
0060	FAN	VENTOLA	VENTILATEUR	VENTILADOR	РАБОЧЕЕ КОЛЕСО ВЕНТИЛЯТОРА	65325272
0070	AIR INTAKE	CUFFIA	VOLET D'AIR	TOMA DE AIRE	ВОЗДУХОЗАБОР	65327632
0080	CONTROL BOX	ZOCOLO	COFFRET DE SECURITE	BASE DEL EQUIPO	СИЕМС	65320092
0090	CONTROL BOX	APPARECCHIATURA DI CONTROLLO	COFFRET DE SECURITE	EQUIPO CONTROL LLAMA	КОНТРОЛЬНАЯ АППАРАТУРА	65324042
0100	IGNITION TRANSFORMER	TRASFORMATORE	TRANSFORMATEUR D'ALLUMAGE	TRANSFORMADOR	ТРАНСФОРМАТОР	65323257
0110	REMOTE CONTROL SWITCH	CONTATTORE	TELERUPTEUR	EMPALME MOTOR VENTILADOR	ДИСТАНЦИОННЫЙ ПУСКАТЕЛЬ	65074309
0120	MOTOR THERMAL RELAY	RELE TERMICO	RELAIS THERMIQUE	TERMICO	ТЕПЛОВОЕ РЕЛЕ ДВИГАТЕЛЯ	65074493
0130	MAIN SWITCH	INTERRUTTORE DI LAVORO	INTERRUPTEUR DE TRAVAIL	INTERRUPTOR DE LINEA	ГЛАВНЫЙ ВЫКЛЮЧАТЕЛЬ	65324696
0140	HIGH-LOW FLAME SWITCH	INTERRUTTORE 1°-2° FIAMMA	INTERRUPTEUR 1RE. ET 2ME. ALLURE	INTERRUPTOR 1°-2° LLAMA	ПЕРЕКЛЮЧАТЕЛЬ БОЛЬШОГО/МАЛОГО ГОРЕНИЯ	65324687
0150	LAMP	LAMPADA	LAMPE	ESPIA	ИНДИКАТОРНАЯ ЛАМПОЧКА	65324695
0160	FUSE SUPPORT	PORTA FUSIBILE	PORTEFUSIBLE	PORTAFUSIBLE	ГНЕЗДО ПЛАВКОГО ПРЕДОХРАНИТЕЛЯ	65324279
0170	ANTI-JAMMING FILTER	FILTRO ANTIDISTURBO	FILTRO ANTIPARASITES	FILTRO ANTITRASTORNO	ФИЛЬТР ПОДАВЛЕНИЯ ПОМЕХ	65323170
0180	COVER	COPERCHIO	COUVERCLE	CAJA DE PROTECCION	КРЫШКА	65324705
0190	PRESSURE PORT	PRESA PRESSIONE	PRISE DE PRESSION	ACCESO DE PRESSION	ПОРТ ДАВЛЕНИЯ	65323053
0200	PRESSURE PORT SUPPORT	SUPPORTO PRESA PRESSIONE	SUPPORT PRISE DE PRESSION	SOPORTE ACCESO DE PRESSION	ПОРТ ДАВЛЕНИЯ ПОДДЕРЖКИ	65324691
0210	IONIZATION CABLE	CAVO DI RIVELAZIONE	CABLE D'IONISATION	CABLE DE IONIZACION	ПРОВОД ОБНАРУЖЕНИЯ ФАКЕЛА	65326182
0220	IGNITION CABLE	CAVO DI ACCENSIONE	CABLE D'ALLUMAGE	CABLE DE ENCENDIDO	ПРОВОД РОЗЖИГА	65326182
0230	IONIZATION PROBE	ELETTRODO DI RIVELAZIONE	SONDE D'IONISATION	ELECTRODO DE IONIZACION	ЭЛЕКТРОД ОБНАРУЖЕНИЯ ФАКЕЛА	65327268
0240	IGNITION ELECTRODE	ELETTRODO DI ACCENSIONE	ELECTRODE D'ALLUMAGE	ELECTRODO DE ENCENDIDO	ЭЛЕКТРОД РОЗЖИГА	65326180
0250	ROD	ASTINA REGOLAZIONE TESTA	SUPPORT TETE DE COMBUSTION	SOPORTE CABEZA DE COMBUSTION	РЕГУЛИРОВОЧНЫЙ ШТОК ОГНЕВОЙ ГОЛОВКИ	65327267
0260	ORING	ORING	ORING	ORING	УПЛОТНИТЕЛЬНОЕ КОЛЬЦО	65327266
0270	HEAD SUPPORT PIPE ELBOW	CURVA TUBO SUPPORTO TESTA	COURBE TUYATERIE TETE	CODO	ГОЛОВНОЙ ЛОКОТЬ ТРУБЫ ПОДДЕРЖКИ	65324702
0280	HEAD SUPPORT PIPE	TUBO SUPPORTO TESTA	TUYATERIE	TUBO	КРЕПЕЖНАЯ ТРУБКА ОГНЕВОЙ ГОЛОВКИ	65327270
0290	FIRING HEAD	TESTA DI COMBUSTIONE	TETE DE COMBUSTION	CABEZA DE COMBUSTION	ОГНЕВАЯ ГОЛОВКА	65327269
0300	DIFUSER	DIFFUSORE	DIFUSEUR	DIFUSOR	РАССЕИВАТЕЛЬ	65321646
0310	DIFUSER GROUP	GRUPPO DIFFUSORE	GRUPE DIFFUSEUR	GRUPO DIFUSOR	ГРУППА ДИФФУЗОРОВ	65327271
0320	ADAPTER	ADATTATORE	ADAPTATEUR	ADAPTADOR	АДАПТЕР	65327274
0330	NOZZLE GROUP	GRUPPO UGELLO	GRUPE MENTONNET	GRUPO TUBO ANTERIOR	ПЕРЕДНЯЯ ВСТАВКА	65326895
0340	DISC	DISCO	DISQUE	DISCO	ПЕРЕДНИЙ ДИСК	65327323
0350	INNER ASSEMBLY	GRUPPO TESTA DI COMBUSTIONE	GRUPE TETE DE COMBUSTION	GRUPO CABEZA DE COMBUSTION	ОГНЕВАЯ ГОЛОВКА В СБОРЕ	65327324
0360	BLAST TUBE	BOCCAGLIO	GUEULARD	TUBO LLAMA	СТАКАН	65327325
0370	GASKET	GUARNIZIONE	JOINT	JUNTA	УПЛОТНИТЕЛЬНАЯ ПРОКЛАДКА	65327326
0380	HEAD SETTING GROUP	GRUPPO REGOLAZIONE TESTA	GRUPE REGLAGE TETE	GRUPO DE CABEZA AJUSTE	ГРУППА УСТАВКИ ГОЛОВЫ	65326006
0390	AIR DAMPER MOTOR	MOTORIDUTTORE	SERVOMOTEUR	MOTORREDUCTOR	СЕРВОПРИВОД	65324262

TC = Testa corta / Short Head / Tete courte / Cabeza corta / КОРОТКАЯ ЖАРОВАЯ ТРУБА TL = Testa lunga / Long Head / Tete longue / Cabeza larga / ДЛИННАЯ ЖАРОВАЯ ТРУБА

Ecoflam

Ecoflam Bruciatori S.p.A.

Via Roma, 64 - 31023 Resana (TV) - Italy

Tel. +39 0423 719500

Fax +39 0423 719580

<http://www.ecoflam-burners.com>

e-mail: export@ecoflam-burners.com

Società soggetta alla direzione e al coordinamento di Ariston Group S.p.A.

Via A. Merloni, 45 - 60044 Fabriano (AN) - CF 01026940427

Ecoflam Bruciatori S.p.A. reserves the right to make any adjustments, without prior notice, which is considered necessary or useful to its products, without affecting their main features.

Ecoflam Bruciatori S.p.A. si riserva il diritto di apportare ai prodotti le modifiche che riterrà necessarie o utili, senza pregiudicarne le caratteristiche principali.

La maison Ecoflam Bruciatori S.p.A. se réserve le droit d'apporter les modifications qu'elle jugera nécessaires ou utiles à ses produits sans pour autant nuire à leurs caractéristiques principales.

Ecoflam Bruciatori S.p.A. se reserva el derecho a introducir en sus productos todas las modificaciones que considere necesarias o utiles, sin perjudicar sus características.

"Ecoflam Bruciatori S.p.A." оставляет за собой право вносить в конструкцию оборудования любые необходимые изменения без особого предупреждения.

Ecoflam Bruciatori S.p.A. behält sich das Recht vor, ohne Beeinträchtigung der wesentlichen Eigenschaften für notwendig oder sinnvoll erachtete Änderungen an den Produkten vorzunehmen.