

MULTICALOR 170.1 PRE
MULTICALOR 200.1 PRE

Technical data
Dati tecnici
Données techniques
Datos técnicos
Технические характеристики



Operating instructions
Istruzioni per l'uso
Notice d'emploi
Manual de uso
Руководство по эксплуатации



Electric diagrams
Schemi elettrico
Schémas électrique
Esquemas eléctrico
Электрические схемы



Spare parts list
Parti ricambi
Pièces de rechange
Piezas de recambio
Запчасти



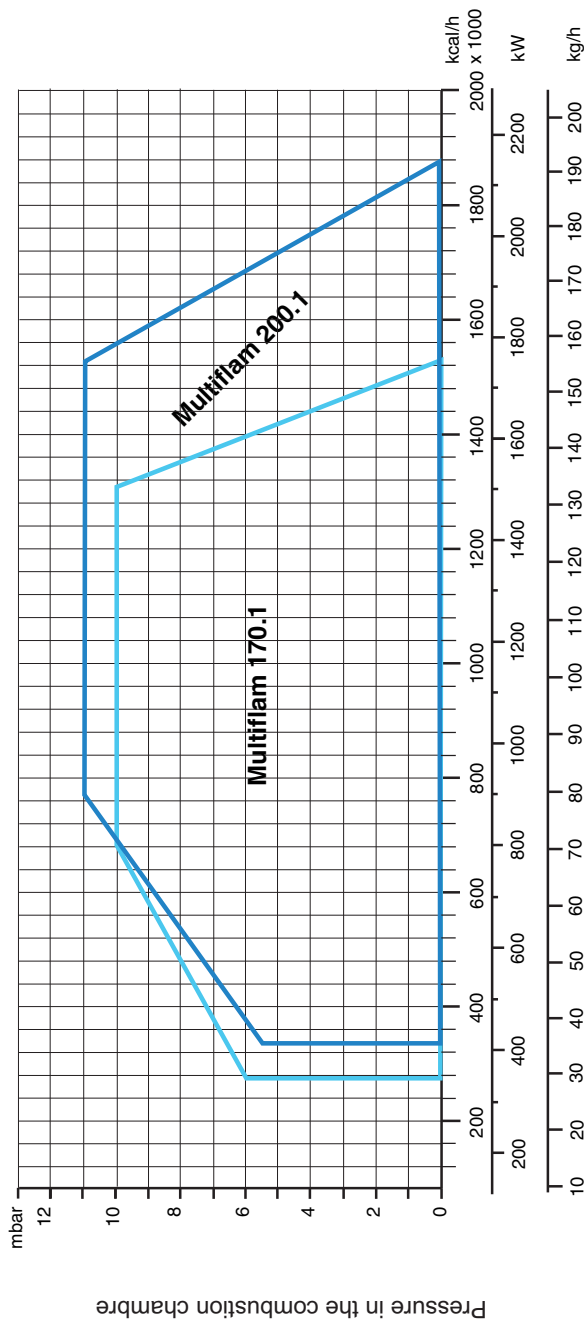
420010912400

26-03-2018

MULTICALOR 170.1 PRE TC
MULTICALOR 170.1 PRE TL 3145142
MULTICALOR 200.1 PRE TC
MULTICALOR 200.1 PRE TL

Technical data Dati tecnici Données techniques Datos técnicos Технические характеристики	EN IT FR ES RU	3
Working diagrams Campi di lavoro Domaine de fonctionnement Ámbito de funcionamiento Рабочий диапазон	EN IT FR ES RU	4
Dimensions Dimensioni Dimensions Dimensiones Размеры	EN IT FR ES RU	5
Operating instructions for authorised specialists	EN	6 - 21
Istruzione per l'uso per il personale qualificato	IT	22 - 37
Notice d'emploi pour l'installateur spécialiste	FR	
Instrucciones de montaje para el instalador especialista	ES	
Инструкция по эксплуатации Предназначено для квалифицированных специалистов по установке	RU	38 - 53
Gas pressure loss diagrams Diagramma perdita di pressione Diagrammes perte de pression de gaz Diagramas de pérdida de presión Диарамма перепада давления газов	EN IT FR ES RU	54 - 57
Electric diagrams Schemi elettrico Schémas électrique Esquemas eléctrico Электрические схемы	EN IT FR ES RU	58 - 59
Spare parts list Parti di ricambio Pièces de rechange Piezas de recambio Запчасти	EN IT FR ES RU	60 - 61

Technical data	Dati tecnici	Données techniques	Datos técnicos	Технические характеристики	MULTICALOR 170.1 PRE	MULTICALOR 200.1 PRE
Burner output max/min kW - kcal/h	Potenza bruciatore max/min kW - kcal/h	Puissance du brûleur max/min kW - kcal/h	Potencia del quemador max/min kW - kcal/h	Мощность горелки макс./мин., кВт - ккал/час	1770	2150
Operation stage	Funzionamento	Fonctionnement	Funcionamiento	Кoeffициент регулирования	1.526.000	1.853.450
Regulating ratio	Rapporto di regolazione	Rapport de régulation	Relación de regulación	Кoeffициент регулирования	Modulating with PID	
Fuel	Combustibile	Fuel	Combustible	Топливо	1+4 GAS - 1+3 OIL	
Emission class	Classe di emissione	Classe d'émission	Tipo de emisión	Класс выделения загрязняющих веществ	G20 (L.C.V. 8.570 kcal/Nm ³), G25 (L.C.V. 7.370 kcal/Nm ³) G31 (L.C.V. 22.260 kcal/Nm ³), G30 (L.C.V. 29.320 kcal/Nm ³) Light oil (L.C.V. 10.200 kcal/kg max visc. 1.5°E at 20°C)	
Control box	Apparecchiatura di controllo	Coffret de sécurité	Cajetín de seguridad	Блок управления и безопасности	Standard Class 2 GAS EN676 (<120 mg/kWh) - Standard Class 1 OIL EN267 (<250 mg/kWh)	
Gas train	Rampa gas	Rampe gaz	Rampa de gas	Газовая рампа	LAMTEC BT340	
Gas connection	Allacciamento gas	Raccordement gaz	Conexión de gas	Подсоединение газа	GAS TRAIN TABLE - DIFFERENT MODELS / CONFIGURATIONS	
Gas input pressure	Pressione di ingresso gas	Pression d'entrée du gaz	Presión de entrada del gas	Давление газа на входе	Rp 20 3/4" - Rp 25 1" - Rp 32 1/4" - Rp 40 1 1/2" - Rp 50 2"	
LPG input pressure	Pressione di ingresso LPG	Pression d'entrée du gaz propane	Presión de entrada LPG	Давление LPG на входе	SEE GAS TRAIN MATCHING TABLE	
Air regulation	Regolazione aria	Réglage de l'air	Ajuste del aire	Настройка подачи воздуха	Air flap	
Flame monitor	Rivelatore di fiamma	Surveillance de flamme	Vigilancia de llama	Контроль пламени	UV cell QRA	
Ignition transformer	Trasformatore d'accensione	Allumeur	Encendedor	Устройство розжига	cofi	
Electric motor	Motore elettrico	Moteur	Motor	Электродвигатель	3 kW	4 kW
Voltage	Tensione	Tension	Tension	Напряжение	230-400 V / 50 Hz	
Power consumption (operation)	Potenza elettrica assorbita (Esercizio)	Puissance électrique absorbée (en service)	Potencia eléctrica absorbida (en funcionamiento)	Потребляемая электрическая мощность: (при работе)	107 (..) kg	
Weight	Peso	Poids	Peso	Приблизительная масса	107 (..) kg	
Protection level	Classe di protezione	Indice de protection	Índice de protección	Класс электробезопасности	IP55 (front panel)	
Sound pressure level dB(A)	Livello pressione sonora dB(A)	Niveau pression acoustique dB(A)	Nivel de presión acústico dB(A)	Уровень шума, dB(A)	-20°...+70° C	
Ambient temp. for storage	Temperatura ambiente di stoccaggio	Température ambiante de stockage	Temperatura ambiente de almacenamiento	температура хранения	-10°...+60° C	
Temperature for use	Temperatura d'utilizzazione	Température d'utilisation	Temperatura ambiente de utilización	Рабочая температура	TA2	
Oil pump	Pompa olio	Pompe	Bomba	Насос	0,55 kW	
Oil pump motor	Motore pompa olio	Moteur pompe	Motor de bomba	Родвигатель насос	0,55 kW	
Nozzle	Ugello	Gicleur	Inyector	форсунки	according to the output requested	



Working diagram

The working diagram shows burner output as a function of combustion chamber pressure. It corresponds to the maximum values specified by EN 676 measured at the test fire tube. **The efficiency rating of the boiler should be taken into account when selecting a burner.**

Calculation of burner output:

$$QF = \frac{Q_N}{\eta_K}$$

QF = Burner output (kW)
QN = Rated boiler output (kW)

η_K = Boiler efficiency (%)

Campi di lavoro

Il campo di lavoro indica la potenza del bruciatore in funzione della pressione della camera di combustione. Corrisponde ai valori massimi previsti dalla norma EN 676 misurati sul tubo della fiamma di controllo. **In occasione della scelta del bruciatore si deve tenere conto del rendimento energetico della caldaia.**

Calcolo della potenza del bruciatore:

$$QF = \frac{Q_N}{\eta_K}$$

QF= potenza bruciata (kW)
QN= potenza nominale della caldaia (kW)

η_K = rendimento energetico della caldaia (%)

Domaine de fonctionnement

Le domaine de fonctionnement correspond aux valeurs mesurées lors de l'homologation. Elle correspond aux valeurs max mesurées sur tunnel d'essai d'après l'EN 676. **Pour le choix du brûleur, tenir compte du rendement de la chaudière.**

Calcul de la puissance calorifique:

$$QF = \frac{Q_N}{\eta_K}$$

QF= Puissance calorifique (kW)
QN= Puissance nominale chaudière (kW)

η_K = Rendement chaudière (%)
 η_K = Rendimiento de la caldera (%)

Ámbito de funcionamiento

El ámbito de funcionamiento corresponde a los valores registrados en el momento de la homologación. Corresponde a los valores máx medidos en el túnel de ensayo según la EN 676. **Para la elección del quemador, se ha de tener en cuenta el rendimiento de la caldera.**

Cálculo de la potencia calorífica:

$$QF = \frac{Q_N}{\eta_K}$$

QF = Potencia calorífica (kW)
QN = Potencia nominal de la caldera (kW)

η_K = Rendimiento de la caldera (%)
 η_K = КПД котла, %

Рабочий диапазон

Рабочий диапазон показывает производительность горелки в зависимости от давления в топочной камере. Он соответствует максимальным значениям согласно EN 676, измеренным в контрольной топочной камере. **При выборе горелки необходимо учитывать КПД котла.**

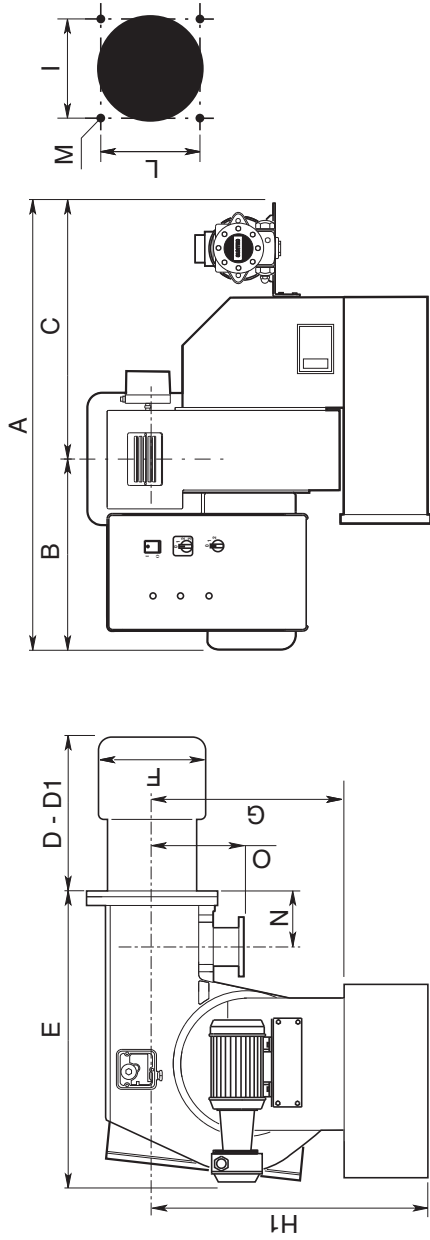
Расчет тепловой мощности:

$$QF = \frac{Q_N}{\eta_K}$$

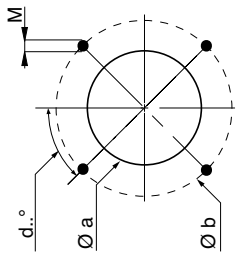
QF = Тепловая мощность, кВт
QN= Номинальная мощность котла, кВт

η_K = КПД котла, %

Overview - Dimensions / Панорамика - Dimensioni / Vue d'ensemble - Dimensions / Descripción - Dimensiones / Обзор - Размеры



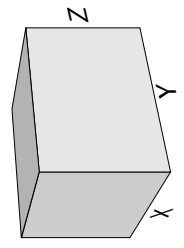
Model	A	B	C	D	D1	E	F	G	H1	I	L	M	N	O
Multicalor 170.1 PRE	1030	520	510	290	490	820	250	420	680	240	240	M14	125	250
Multicalor 200.1 PRE	1030	520	510	290	490	820	270	420	680	240	240	M14	125	250



Model	Ø a	Ø b	d°
Multicalor 170.1 PRE	280	339,5	45°
Multicalor 200.1 PRE	280	339,5	45°

Packaging

Model	X	Y	Z	kg
Multicalor 170.1 PRE	1140	1350	940	107
Multicalor 200.1 PRE	1140	1350	940	107



Contents - Index - General warnings - Conformity declaration

Overview	Technical data	3
	Working diagram	4
	Dimensions	5
Contents	Index	6
	General warnings, Conformity declaration	6
	Burner description	7
Function	General safety functions	8
	Display - Control panel	9
	Oil burner pump	10
	Light oil feeding and suction line	11
	Fluidics nozzle chart	12
Installation	Burner assembly	13
	Pilot gas - Control panel	14
	Electrical connection	15
	Checks before commissioning	15
Start up	Oil side	16-17
	Gas side	18-19
Service	Maintenance	20
	Troubleshooting	21
Overview	Gas pressure loss diagrams	54-57
	Electrical diagrams	58-59
	Spare parts list	60-62

Important notes

MULTICALOR burners are designed for the low-pollutant combustion of natural gas and light oil. The design and function of the burners comply with standard EN676 and EN267. Assembly and commissioning must be carried out only by authorised specialists and all applicable guidelines and directives must be observed.

Burner description

MULTICALOR are progressive, fully automatic, monoblock type burners. The special design of the burner head provides low-polluting combustion with high efficiency. In line with testing as defined by EN676, the values comply with emissions class 2 (NO_x<120mg/kWh) Emissions values may differ, depending on combustion chamber dimensions, combustion chamber load and the firing system (three-pass boilers, boilers with reverse firing). They are suitable for use with all heat generators complying with EN 303 or for use with hot air generators complying with DIN 4794, and DIN 30697 within their respective performance range. Use for any other application requires the approval of Ecoflam.

The following standards should be observed in order to ensure safe, environmentally sound and energy-efficient operation:

EN 267

Automatic forced draught burners for liquid fuels.

EN 676

Forced-draught gas burners

EN 226

Connection of fuel oil and forced-draught gas burners to a heat generator.

EN 60335-1, -2-102

Specification for safety of household and similar electrical appliances, particular requirements for gas burning appliances.

Installation location

The burner must not be operated in rooms containing aggressive vapours (e.g. spray, perchloroethylene, hydrocarbon tetrachloride, solvent, etc.) or tending to heavy dust formation or high air humidity. Adequate ventilation must be provided at the place of installation of the furnace system to ensure a reliable supply with combustion air.

Declaration of conformity for dual fuel burners

We,

Ecoflam Bruciatori S.p.A.

declare under our sole responsibility that the products:

MULTICALOR

conform to the following standards:

EN 276

EN 676

EN 55014-1

EN 60335-1

EN 61000-6-2

EN 50156-1

EN 55014-2

EN 60335-2-102

EN 61000-6-3

These products bear the CE mark in accordance with the stipulations of the following directives:

2014/35/UE Low Voltage Directive

2014/30/UE EMC Directive

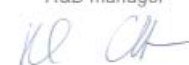
2006/42/EC Machine directive

2011/65/EU RoHS2 directive

2009/142/CEE Gas Appliance Directive

February, 2016 / Mr. Ruben Cattaneo

R&D manager



Variations may arise as a result of local regulations.

We can accept no warranty liability whatsoever for loss, damage or injury caused by any of the following:

- Inappropriate use.
- Incorrect assembly or repair by the customer or any third party, including the fitting of non-original parts.

Provision of the system and the operating instructions

The firing system manufacturer must supply the operator of the system with operating and maintenance instructions on or before final delivery. These instructions should be displayed in a prominent location at the point of installation of the heat generator, and should include the address and telephone number of the nearest customer service centre.

Notes for the operator

The system should be inspected by a specialist at least once a year. It is advisable to take out a maintenance contract to guarantee regular servicing.

Ecoflam burners have been designed and built in compliance with all current regulations and directives.

All burners comply to the safety and energy saving operation regulations within the standard of their respective performance range. The quality is guaranteed by a quality and management system certified in accordance with ISO 9001:2008.

Contents - Burner description

MULTICALOR 170.1 PRE TC

RANGE NAME BY FUEL TYPE

MULTICALOR Dual fuel (Gas / Light oil)

MODEL SIZE (Gas: kW; Oil: kg/h)

MULTICALOR 170.1 150 kg/h - 1770 kW

EMISSIONS

- Standard Class 2 - GAS EN676 (<120 mg/kWh)

OPERATION TYPE

PR 2 stages progressive mechanical gas / oil

PRE MD 2 stages modulating mechanical with PID

MD 2 stages modulating mechanical with PID

HEAD TYPE

TC Short head

TL Long head

FUEL

Natural gas

LPG Liquid gas

BIOGAS Biogas

Scope of delivery

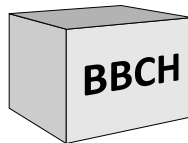
The burner is delivered in a modular system of packagings i.e. separate set/box:

BBCH: Burner Body with Combustion Head with flange.

- 1 bag including :- multilanguage technical manual.
- spanner.
- screws, nuts and washer.

GT: separate Gas Train

KIT & ACS are managed and delivered separately



KIT & ACS delivered separately



Function - General safety functions

Description of functions

When the system is switched on for the first time, after a power failure or safety shutdown, after a lack of gas or after the system has been out of operation for 24 hours, the pre-ventilation period begins.

During pre-purge period:

- blower pressure is monitored
- the combustion chamber is monitored for flame signals.

At the end of the pre-purge period:

- ignition is switched on.
- main and safety valve are opened.
- burner starts.

Monitoring

The flame is monitored by an UV Cell. The burner switches to lock-out if it doesn't survey the light of the flame.

Safety functions

- If no flame is produced when the burner is started (gas release), the burner will be switched off at the end of the safety period, lasting no more than 3 seconds, and the gas valve will close.
- If the flame goes out during operation, the gas supply is interrupted within one second. A restart takes place. Once the burner starts, operation is continued. Otherwise, a safety lock-out occurs.
- If there is a lack of air during reventilation or operation, a safety lock-out occurs.
- If there is a lack of gas, the burner does not begin operation or switches off.

In the event of controller shutdown

- Controller thermostat interrupts heat request.
- Gas solenoid valves close.
- Flame goes out.

- Burner motor switches off.
- Burner is ready for operation.

Operating mode

After the flame has developed the load regulator will be enabled which brings the burner into its operating position.

The load regulator will now control the burner automatically between its partial-load and full-load stages.

Depending on the heat demand, the electric actuator of the mechanical compound control system will be fed with the OPEN or CLOSE signal via the regulator and thus increase or decrease the oil and air flow rates.

This compound control system will vary the positions of the oil (gas) control valve and air damper and thus regulate the oil flow rate in conjunction with the air flow rate. The burner can either be controlled in two-stage sliding mode or, if a respective controller is provided, in stepless control mode. The stepless control will allow the burner to be operated at any desired stage between its partial-load and full-load positions. The burner will be turned off from its partial-load position. The air damper will be closed when the burner is out of operation and will thus prevent cold air flowing through the burner chamber, heat exchanger and chimney.

The interior cooling losses will be greatly minimized.

Gas Leakage control for burners in PRE version

The relevant function is ACTIVE as a standard. Before commissioning the burner, please check if this feature is "ACTIVATED" (look inside menu on section 5 "Operating Control and

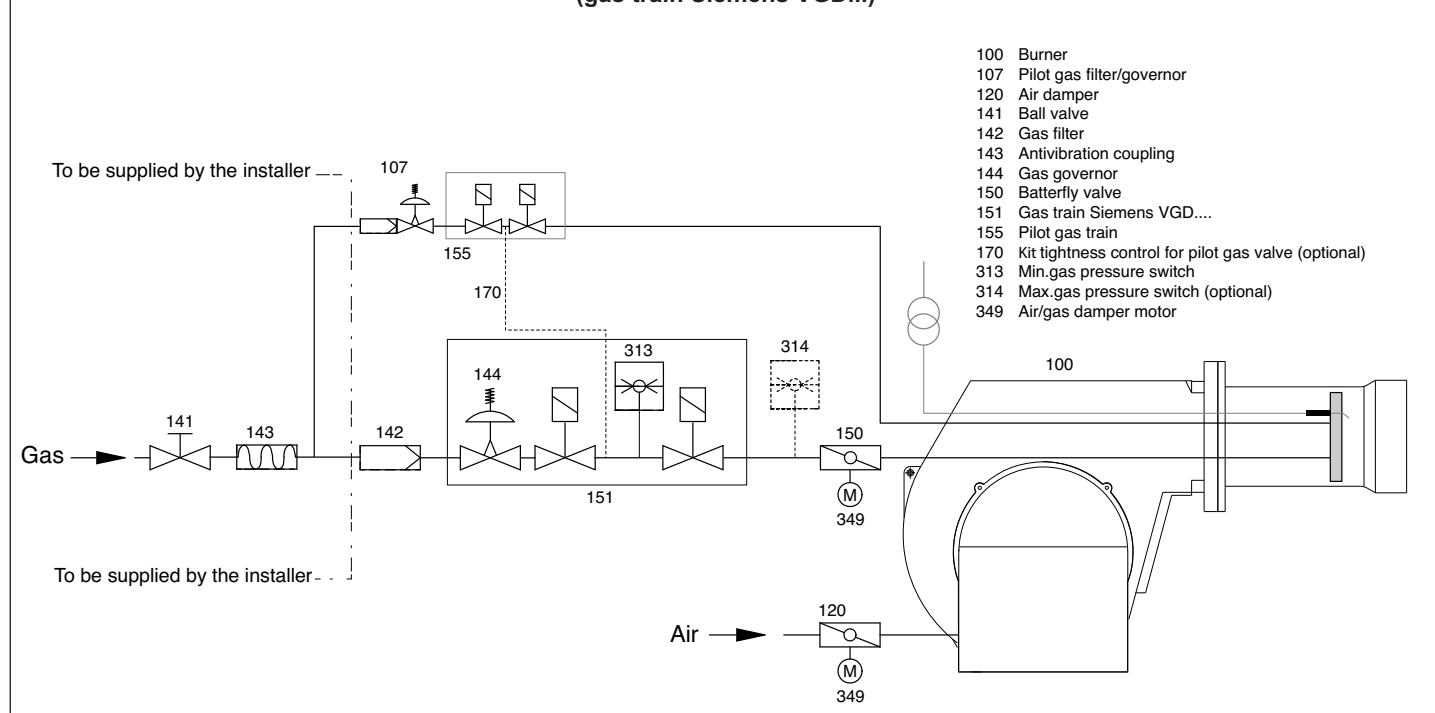
Displays "page 64, fig.5-32").

If it is "NOT ACTIVATED" and it is not mandatory to fit the valve proving, a suitable gas train must be fit. Such a gas train must be equipped with a pressure switch upstream of the first gas valve (referring to the picture on page 8, the F4 min. gas pressure switch must be fit before the device Y12)

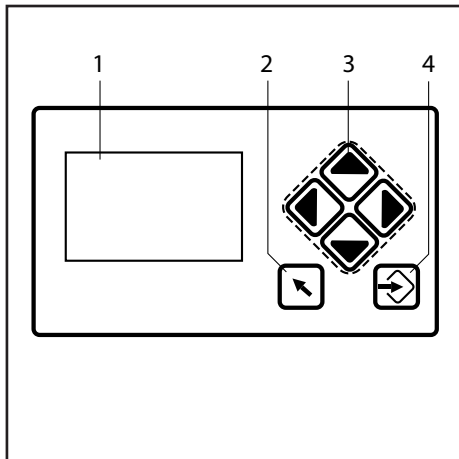
It works as follows:

The valve leakage test checks whether the main gas valves are leak-tight. The supply gas pressure is used for this purpose. Since the valve leakage test line (space between the two main valves) burns empty in the event of a shut-off, this part is normally without pressure when starting (gas pressure > min. = 0). The FA1 checks this. Main gas 1 is then opened shortly and gas flows into the test line (gas pressure > min. changes from 0 to 1). This pressure must then subsist for 30 seconds. The valve leakage test is then deemed to be completed. If the valve leakage test line is not empty at the start (e.g. as a result of a previous fault shut-down), main gas valve 2 opens first. The valve leakage test line is vented (into the combustion chamber or over the roof, depending on the system; for suggested circuit, see Appendix). It is checked, whether the line remains pressureless for 30 seconds. Otherwise the procedure is, as described previously.

CONNECTION DIAGRAM FOR BURNERS WITH SEPARATE PILOT
(gas train Siemens VGD...)



Function - Display UI300



- 1 Display
- 2 Back key
- 3 Cursor keys
- 4 Enter key

Display
The display shows in pictogram:

- the menu structure
- operating status
- parameters
- error messages



Jump to previous window.



You navigate in the menu using cursor keys. You use 'left' and 'right' keys to move step by step in a selected row. At the end of the selected row the cursor jumps down to the next row, if possible. In a multiline menu use 'up' and 'down' keys to switch to other rows. To display parameters, switch between various fields.

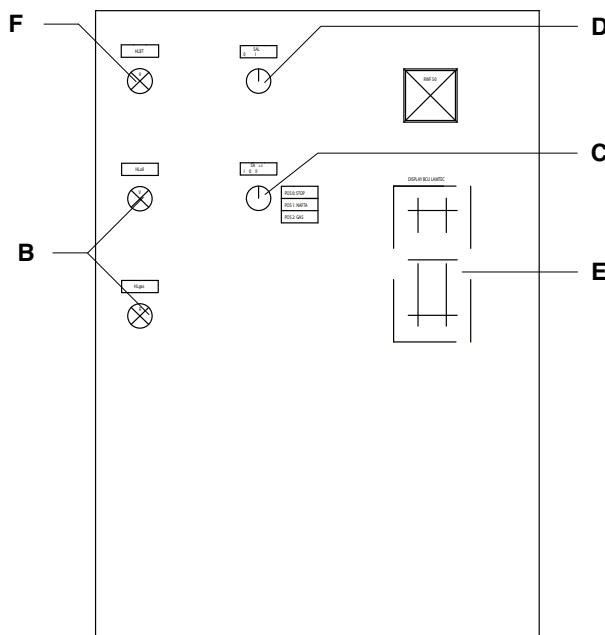


Press ENTER to call up a menu on the start screen. Select a sub-menu in the menu window. Transfer setting values by pressing ENTER key in a parameter window. Use a flushing, red ENTER key to release a fault interlocker. If the ENTER key is permanently lit red, a fault with an automatic restart is displayed.



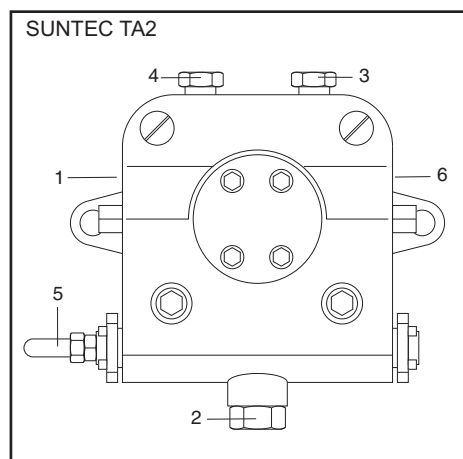
Always switch off the power supply before installing or removing the control unit. Do not attempt to open or carry out repairs on the control unit.

Function - Control panel



- F - terminal lock-out lamp
- B - operating lamps (orange=light-oil; green= gas)
- C - selector:
 - 0 = STOP
 - 1 = light-oil operation
 - 2 = gas operation
- D - ON/OFF switch
- E - display

Function - Oil burner pump



- 1 suction intake connection.
- 2 return connection.
- 3 oil pressure gauge connection.
- 4 negative pressure gauge connection.
- 5 oil pressure regulator pressure connection
- 6 pressure connection

The heavy oil burner pump used is a self-priming gear pump, which must be connected as two-line pump via a bleed filter. There is an intake filter and an oil pressure regulator integrated in the pump. Pressure gauges for pressure measurements and negative pressure measurements must be connected before the equipment is commissioned.

NB: before starting the burner, check that the return pipe is open. An eventual obstruction could damage the pump sealing device.

TECHNICAL DATA

General

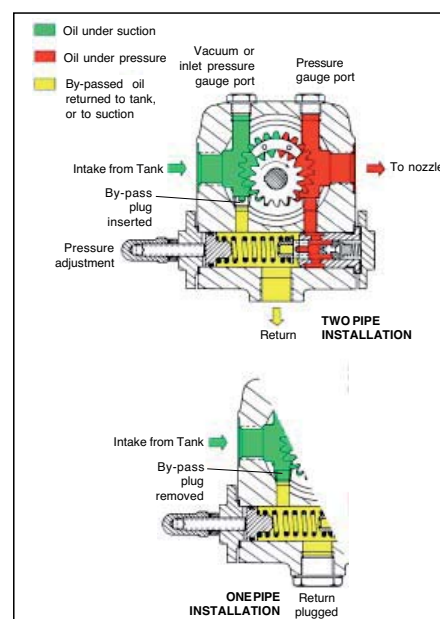
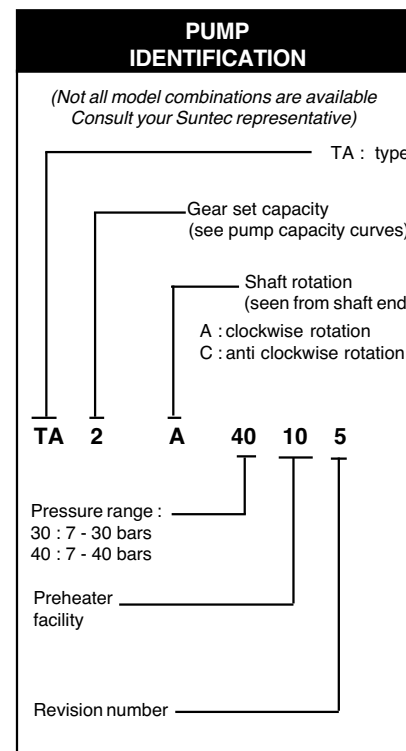
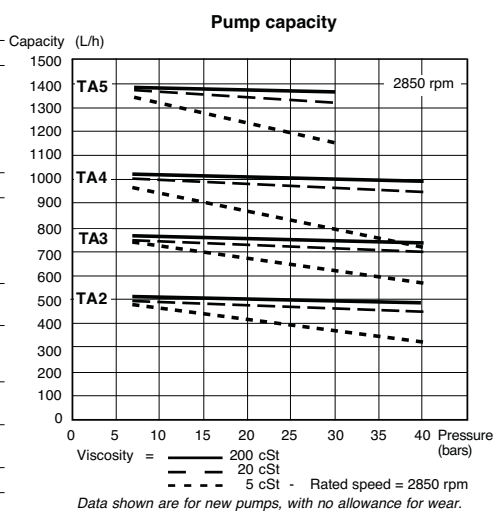
Mounting	Flange mounting	
Connection threads	Cylindrical according to ISO 228/1	
Inlet end return	G 1/2"	
To nozzle	G 1/2"	
Pressure gauge port	G 1/4"	
Vacuum gauge port	G 1/4"	
Shaft	Ø 12 mm	
By-pass plug	Inserted in vacuum gauge port for 2 pipe system; to be removed with a 3/16" Allen key for 1 pipe system	
Weight	5,4 kg (TA2) - 6 kg (TA4)	5,7 kg (TA3) - 6,4 kg (TA5)

Hydraulic data

Nozzle pressure ranges	30 : 7 - 30 bars 40 : 7 - 40 bars
Delivery pressure setting	30 bars
Operating viscosity	4 - 450 cSt
Oil temperature	0 - 140°C max. in the pump
Inlet pressure	light oil : 0,45 bars max. vacuum to prevent air separation from oil heavy oil : 5 bars max.
Return pressure	light oil : 5 bars max. heavy oil : 5 bars max.
Rated speed	3600 rpm max.
Starting torque	0,3 N.m

Choice of heater

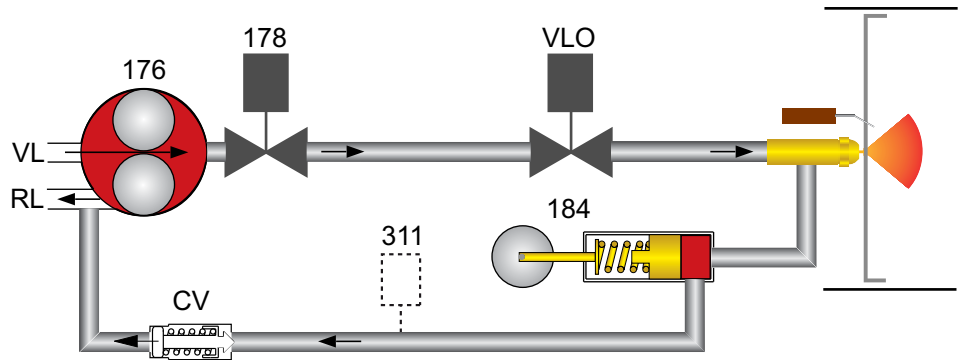
Cartridge	Ø 12 mm
Fitting	according to DIN 40430, NFC 68190 (N°9 elec.)
Rating	80-100 W



Function - Light oil feeding and suction line

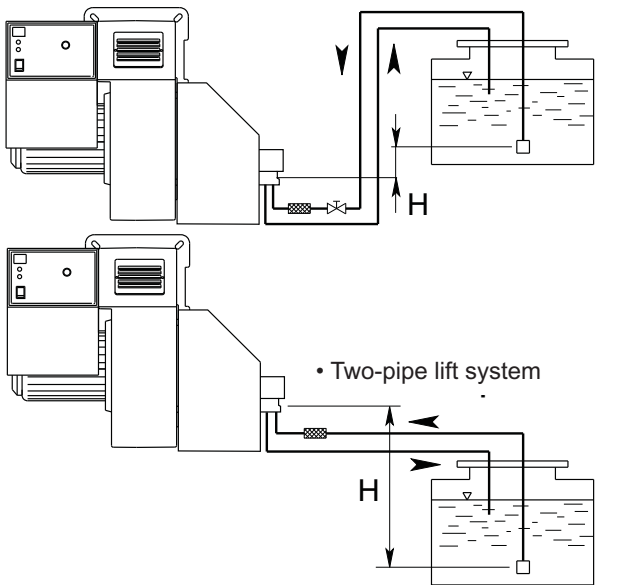
HYDRAULIC CIRCUIT LIGHT OIL FEEDING

- 176: oil pump
- 178: solenoid valve
- 184: output control valve
- 311: return oil pressure switch
- CV: check valve
- RL: return line
- VL: suction line
- VLO: working oil valve



SUCTION LINE LENGTHS FOR PIPE SYSTEMS

- Two-pipe siphon feed system



The burner is equipped with a self-priming pump which is capable of feeding itself within the limits listed in the table at the side.

H (m)	PIPE LENGTH (m)				
	J7		TA2		
	ø 14 mm	ø 16 mm	ø 14 mm	ø 16 mm	ø 20 mm
3,5	31	55	--	--	--
3	29	52	35	80	150
2,5	--	--	30	72	150
2	25	44	27	65	150
1,5	--	--	24	61	150
1	20	37	20	57	150
0,5	18	33	17	50	150
0	16	29	14	42	140
-0,5	14	26	10	38	130
-1	12	22	--	35	125
-1,5	--	--	--	25	100
-2	7	14	--	15	75
-2,5	--	--	--	--	60
-3	3	7	--	--	40
-3,5	1	4	--	--	--
-4	--	--	--	--	--

WARNING: To calculate the length of the pipework all the straight parts, curves, up and down pipes must be taken into consideration. The static suction height is the distance between the standing valve and the axis of the burner pump. Negative pressure must not exceed 0,45 bar; if negative pressure is greater pump operation may become faulty, leading to an increase in mechanical noise and perhaps even breakage. All oil ring installations must comply with the local safety rules existing in the country of installation

Function - Fluidics nozzle chart



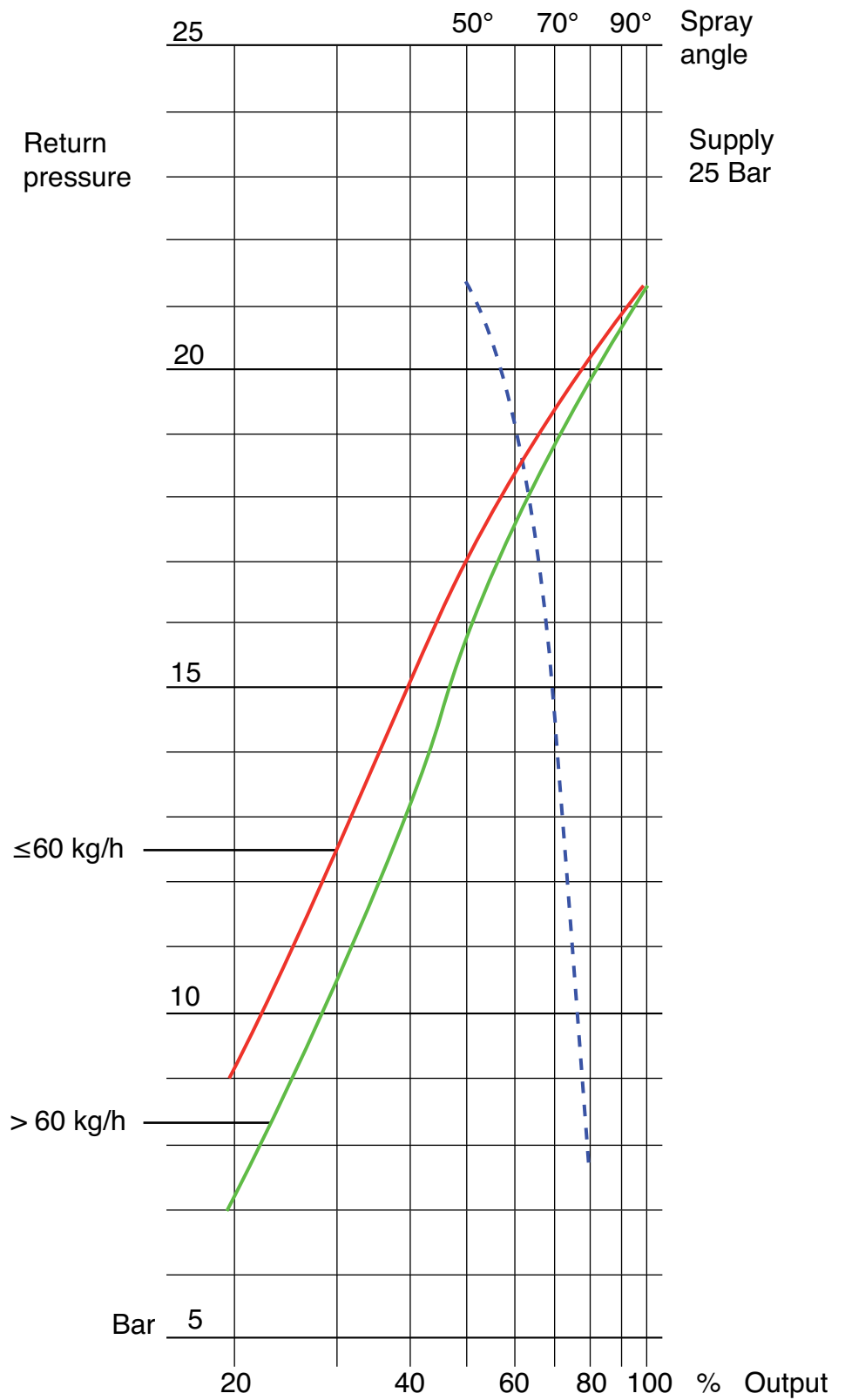
RETURN NOZZLE

The nozzle type Fluidics W is a by-pass nozzle with integrated spring-loaded cut-off needle.

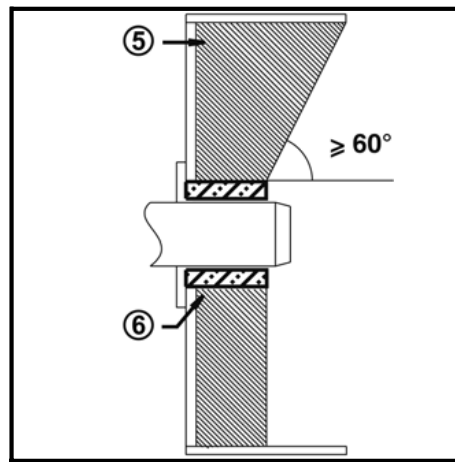
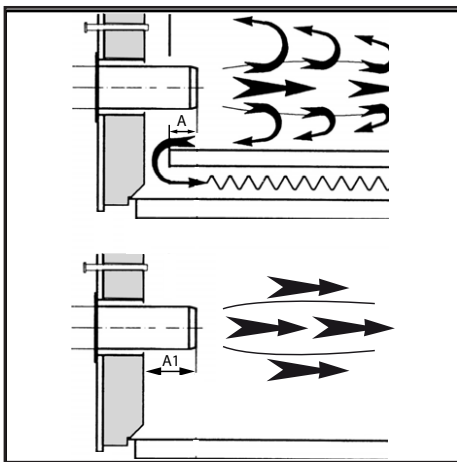
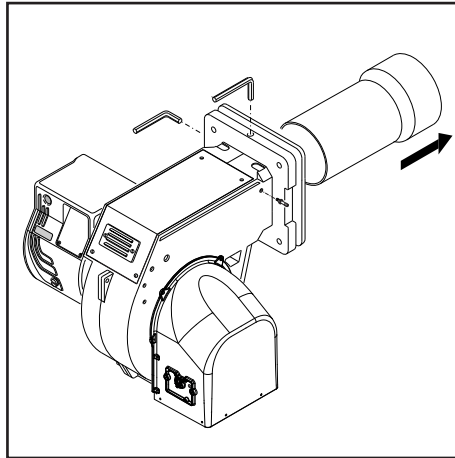
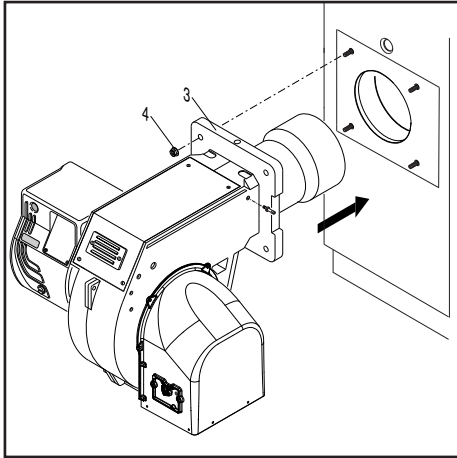
The throughput rate is controlled by varying the return pressure while keeping the supply pressure at a constant level.

Prior to burner start, check the nozzle size against the required output.

It might be necessary to replace the nozzle (see nozzle selection diagram).



Installation - Burner assembly



Burner assembly

The burner is fixed to the boiler.

Installation:

- fix the flange 3 to the boiler with the screws 4

Removal:

- loosen the screws and remove the burner.

Burner blast tube insertion depth and brickwork

Unless otherwise specified by the boiler manufacturer, heat generators without a cooled front wall require brickwork or insulation 5 as shown in the illustration. The brickwork must not protrude beyond the leading edge of the blast tube, and should have a minimum conical angle of 60°. Gap 6 must be filled with an elastic, non-combustible insulation material. For boilers with reverse firing, the minimum burner tube insertion depth A as specified in the boiler manufacturer's instructions must be observed.

On boilers the blast tube insertion depth should be observed as per the boiler manufacturer's instructions.

Reverse flame boiler :

A = 50-100 mm.

Three pass boilers :

A1 = 50-100 mm.

Exhaust system

To avoid unfavourable noise emissions, right-angled connectors should not be used on the flue gas side of the boiler.

Gas lines

When installing the gas lines and gas train, the general EN676 directives and guidelines must be observed. Additional accessories and kits shall be installed by the installer in accordance to the local safety regulations and codes of practise. **Upon the installer responsibility it is mandatory to install additional support(s) in order to not overload the burner body with the dead load of full gas train, accessories, piping and so on. The burner body can stand just the gas valve and the piping between the gas valve and the body.**

General regulations applying to the gas connection

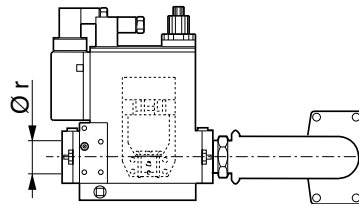
- The gas train must only be connected to the gas mains by a recognised specialist.
- The cross-section of the gas line should be of a size designed to guarantee that the gas flow pressure does not drop below the specified level.
- A manual shut-off valve (not supplied) must be fitted upstream of the gas train.

LEGENDA

Pf: Back pressure of furnace

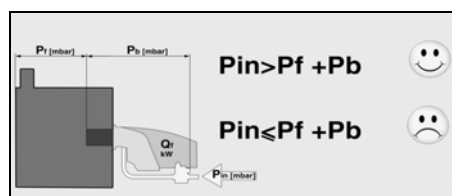
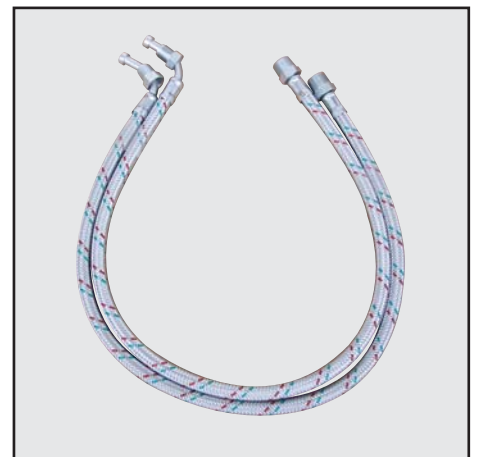
Pb: Pressure of burner (combustion head + complete gas train)

Pin: Minimum inlet pressure



Oil connection

The filter must be located in such a way that the correct hose routing cannot be impaired. The hoses must not kink.



Installation - Pilot gas - Control panel

Pilot gas train connection

The pilot gas train is already installed to the burner and shall be connected to the main gas supply line preferably with flexible pipe.

The pilot gas train is composed of n° 2 safety valves and n°1 gas governor and filter. Max inlet pressure 1 bar.

WARNING: Pilot gas train must be connected according to the drawing of the gas line.

Gas valves adjustment

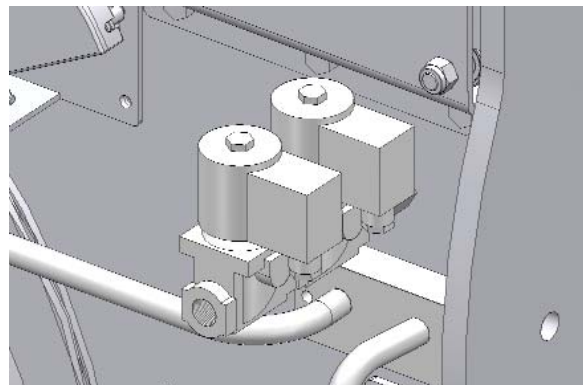
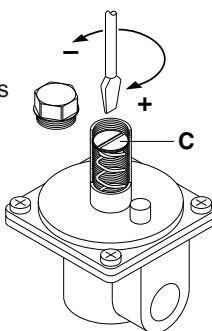
Note : the pilot valves are pre-adjusted in the factory. To increase or reduce the gas flow act on the gas governor.

Gas governor adjustment

The gas governor, with built-in filter, must be installed so as to stabilise the outlet gas pressure and to avoid that eventual impurities reach the gas valve. To increase gas pressure, remove the cover of governor and turn screw C.

Unscrew screw C to reduce pressure, then fit the cover.

Note: the inlet gas pressure must not be higher than the specified max. gas pressure.



KITPRES... Maximum pressure switch assembly

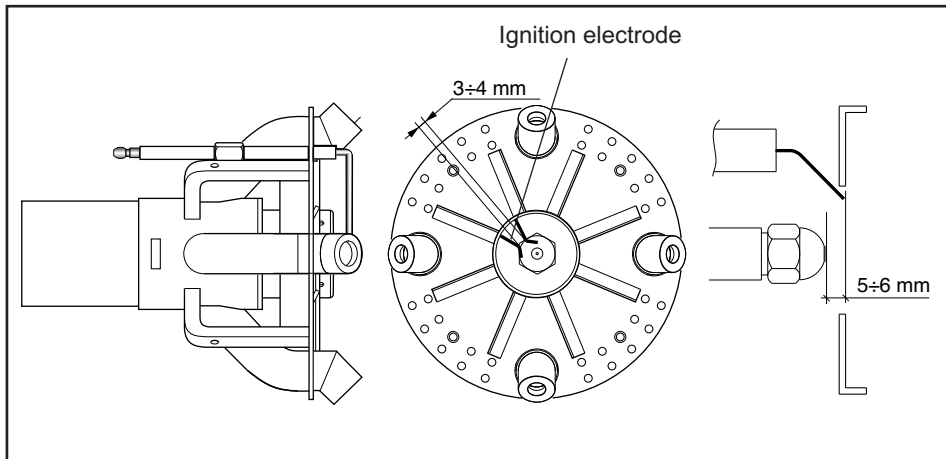
Maximum pressure switch is provided as a kit and shall be assembled into the main gas train according to the instructions of the gas train separate manual.

KITMD-RWF50 PID regulator

All progressive burner can be turned modulationg with the installation of the PID that regulates the output combined with a probe.

Modulation Kit	Max Pressure switch
KITMD-RWF50	KITPRES50
Probe-...	KITPRES150

Installation - Electrical connection - Checks before commissioning



Position of electrodes

Setting the ignition electrode: see diagram
Always check the position of the electrodes after service or substitution or assembly of LPG kit as wrong position might cause ignition problem.

Checks before commissioning

The following must be checked before initial commissioning:

- That the burner is assembled in accordance with the instructions given here.
- That the burner is pre-set in accordance with the values in the adjustment table.
- Setting the combustion components.
- The heat generator must be ready for operation, and the operating regulations for the heat generator must be observed.
- All electrical connections must be correct.
- The heat generator and heating system must be filled with water and the circulating pumps must be in operation.
- The thermostats, pressure regulator, low water detectors and any other safety or limiting devices that might be fitted must be connected and operational.
- The exhaust gas duct must be unobstructed and the secondary air system, if available, must be operational.
- An adequate supply of fresh air must be guaranteed.
- The heat request must be available.
- Sufficient gas pressure must be available.
- The fuel supply lines must be assembled correctly, checked for leaks and bled.
- A standard-compliant measuring point must be available, the exhaust gas duct up to the measuring point must be free of leaks to prevent anomalies in the measurement results.

Electrical connection

The electrical installation and connection work must only be carried out by an authorised electrical specialist. All applicable rules and regulations must be observed.

The electrical installation should include a type A circuit breaker.

The applicable guidelines and directives must be observed, as well as the electrical circuit diagram supplied with the burner!

- Check to ensure that the power supply voltage is as specified in the electric diagram and in data plate.
- Burner fuse: 5 A.

Electrical connection (plug-in)

It must be possible to disconnect the burner from the mains using an omnipolar shutdown device complying with the standards in force. The burner and heat generator (boiler) are connected to the terminal block of the cabinet.

Connecting the gas train

Connect the gas train to the plugs on the burner.

The burners are produced with connections suitable for power supply 380-400 V three-phase.

The burners with electric motors of an output lower or equal to 3 kW can be adapted to 220-230 V (please follow the instructions on the backside); motors with higher output can only work 380-400 V three-phase.

In case of request of burners different from the above mentioned standard, it is recommended to make specific mention in the order.

Instructions: how to adapt electric motors of an output lower or equal to 3 kW to 220-230 V power supply

It is possible to change the voltage of the burner by operating as follows:

1. change the connection inside the electric box of the motor, from star to delta (see picture 3);
2. change the setting of the thermal relay, referring to the absorption values indicated

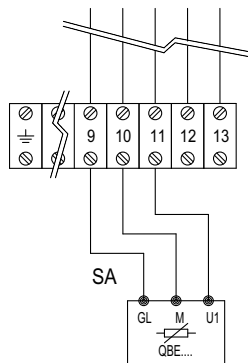
in the motor nameplate. If necessary, replace the thermal relay with another one of suitable scale.

This operation is not possible on motors above 3 kW.

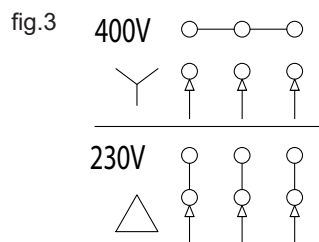
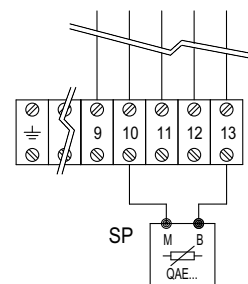
For more information, please contact the Ecoflam staff.

PROBES CONNECTION

ACTIVE PROBE CONNECTION (FOR MODULATING VERSION)



PASSIVE PROBE CONNECTION (FOR MODULATING VERSION)

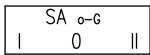


LEGENDA

- SA: active probe
- SP: passive probe

Start up - Oil side

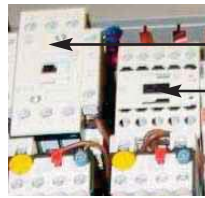
Select the oil operation in order to proceed with start up on the oil side. On the selector put the operation on minimum capacity.



0=STOP
1=OIL
2=GAS



KMP - KMV contactor: check the oil pump motor and air fan motor rotation and keep KMP pressed till the oil circuit is loaded.
If the rotation is not correct invert the two phases on the power supply.



KMV

KMP

Start up the burner

The control box starts the pre-purge cycle, the fan motor and the oil motor and opens the air flaps in full open position.

At the end of pre-purging, the control box drives the servomotors into the ignition position and starts the ignition transformer. After a few seconds the control box opens the oil valve and starts the flame. After the flame stabilisation the control box drives the servomotor in the low flame.

In case of faulty ignition, the control box switches the burner into safety condition, in such a case you must rearm the burner. Gradually increase burner output from the low flame to the high flame and set oil servomotor curve in order to have a stable flame. Refer to LAMTEC manual attached.

Adjusting the maximum oil flow rate

Put the selector on the oil operation. Adjust the oil pressure reading the value on the return manometer / pressure gauge according to the nozzle tables provided in the appendix. Oil adjustment is accomplished through LAMTEC parameters setting. Refer to LAMTEC manual attached.

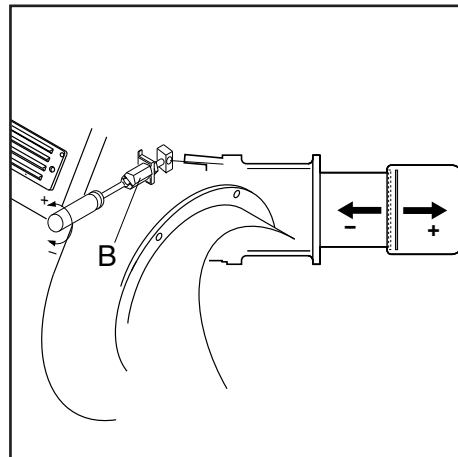
NOTE: the pump pressure is set from the factory at the pressure required nozzle pressure required as per table of nozzle selection in appendix. If the output required is different from the one set from the factory the pressure can be adjusted according to the instruction below.

Adjusting the maximum air flow rate

Air and Oil adjustment are accomplished through LAMTEC parameters setting. Refer to LAMTEC manual attached.

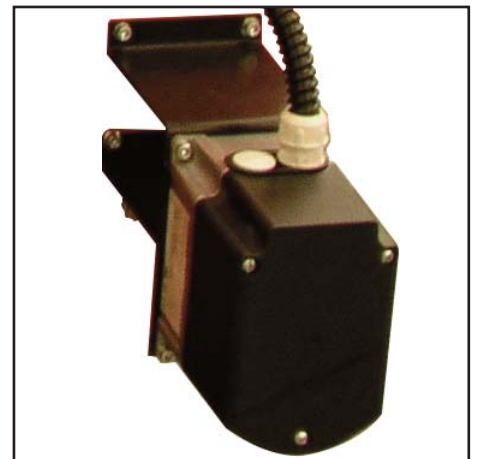
Firing head setting

The firing head is pre-adjusted at the 50% from the factory. The setting fully open enables to reach the full power of the burner and full close to reach the minimum power of the burner. The optimal position depends on the output that we need to reach but the default setting shall be modified only when you are not able to reach the suggested combustion value by adjusting the air flow in the maximum flame.



Servomotor LAMTEC

Air adjustment is accomplished through LAMTEC parameters setting. Refer to LAMTEC manual attached.



Risk of air blast!

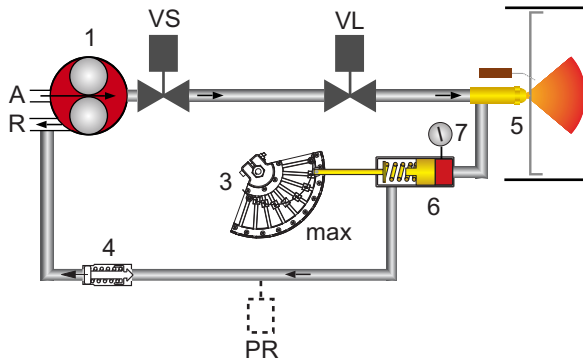
Continuously check CO, CO₂ and soot emissions when adjusting the output of the burner. Optimise combustion values in the event of CO formation. CO must not exceed 50 ppm.

Start up - Oil side

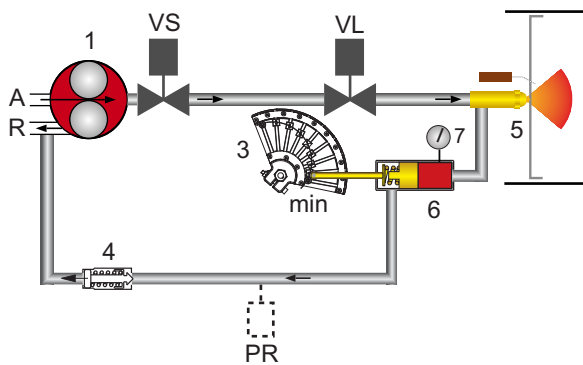
Adjusting the intermediate burner capacity

Oil adjustment is accomplished through LAMTEC parameters setting. Refer to LAMTEC manual attached.

WARNING: the variable profile of the cam shall have a normal proportional curvature in order to have good combustion values and reduce its mechanical stress breakdown.



! **WARNING:** Once the setting on the oil has been completed make sure that you close the manometer – pressure switch tap.

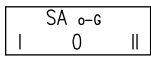


LEGENDA

- 1. Oil pump
- VS. Oil safety valve
- 3. Adjusting cam
- 4. Check valve
- VL. Working valve
- PR. Pressostat (optional)
- 5. Nozzle
- 6. Pressure regulator
- 7. Manometer – pressure gauge

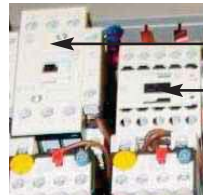
Start up - Gas side

Select the gas operation in order to proceed with start up on the gas side.



0=STOP
1=OIL
2=GAS

! **KMV contactor:** check the air fan motor rotation. If not correct invert the two phases on the power supply.



KMV
KMP

Start up the burner

The control box starts the pre-purge cycle, the fan motor and opens the air flaps in full open position.

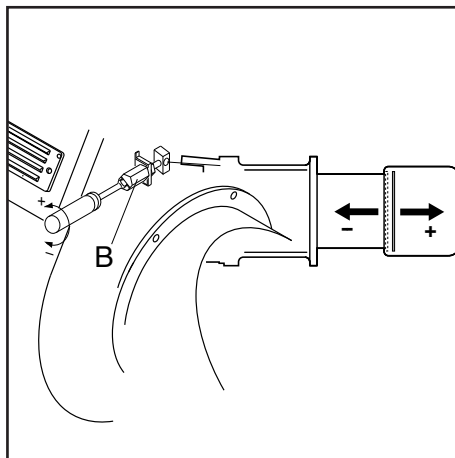
At the end of pre-purging, the control box drives the servomotor into the ignition position and starts the ignition transformer. After a few seconds the control box opens the pilot valves and starts the pilot flame. After the flame stabilisation the control box opens the main valves and the burner goes in the low flame and the pilot switch off. In case of faulty ignition, the control box switches the burner into safety condition, in such a case you must rearm the burner. Gradually increase burner output from the low flame to the high flame and set gas servomotor curve in order to have a stable flame. Refer to LAMTEC manual attached.

Adjusting the maximum air flow rate

Air and Gas adjustment are accomplished through LAMTEC parameters setting. Refer to LAMTEC manual attached.

Firing head setting

The firing head is pre-adjusted at the 50% from the factory. The setting fully open enables to reach the full power of the burner and full close to reach the minimum power of the burner. The optimal position depends on the output that we need to reach but the default setting shall be modified only when you are not able to reach the suggested combustion value by adjusting the air flow in the maximum flame.



Servomotor LAMTEC

Air adjustment is accomplished through LAMTEC parameters setting. Refer to LAMTEC manual attached.



! **Risk of air blast!** Continuously check CO, CO₂ and soot emissions when adjusting the output of the burner. Optimise combustion values in the event of CO formation. CO must not exceed 50 ppm.

Start up - Gas side

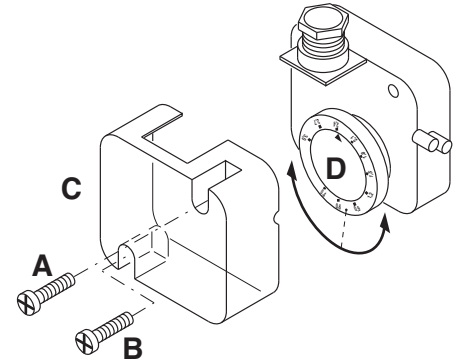
Adjusting the intermediate burner capacity

Gas adjustment is accomplished through LAMTEC parameters setting. Refer to LAMTEC manual attached.

WARNING: the variable profile of the cam shall have a normal proportional curvature in order to have good combustion values and reduce its mechanical stress breakdown.

Air pressure switch calibration

The air pressure switch is provided for monitoring the pressure of the combustion air fan. Unscrew screws A and B and remove cover C. After the air and gas setting you have to calibrate the air switch with the burner working on the low flame by slowly turning the relative knob clockwise until the burner locks out. Read the value and then decrease it by 15%.



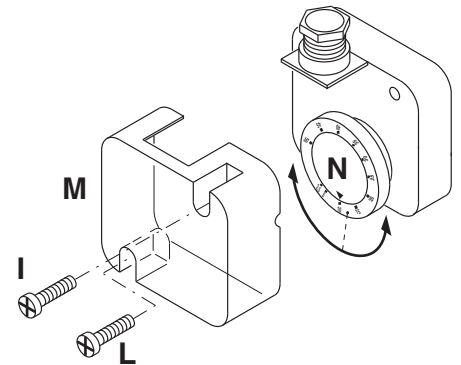
WARNING: the air pressure switch shall prevent the air pressure to go below 85% from the adjustment value in order to prevent the CO in the fumes to exceed 1% (10000 ppm).

Min gas pressure switch

The gas pressure switch has the function to check that the gas pressure before the gas valve does have the minimum pressure to make the burner running correctly.

Unscrew off and remove cover M.

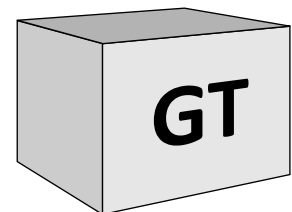
- Set knob N to a value equal to 60% of gas nominal feed pressure (i.e. for natural gas nom. pressure = 20 mbar, set knob to a value of 12 mbar; for LPG nom. pressure of G30/G31- 30/37 mbar, set knob to a value of 18 mbar). Screw up cover M.



Adjustment of gas solenoid valve

Refer to the gas train manual for the gas setting of the gas train selected.

N.B. observe the minimum required flue gas temperature specified by the boiler manufacturer and the requirements demanded of flue gas ducts for avoiding condensation.



Service - Maintenance

Burner and boiler servicing must only be carried out by qualified personell. The system operator is advised to take out a service contract to guarantee regular servicing.

temperature is more than 30°C above the value measured at the time of commissioning.

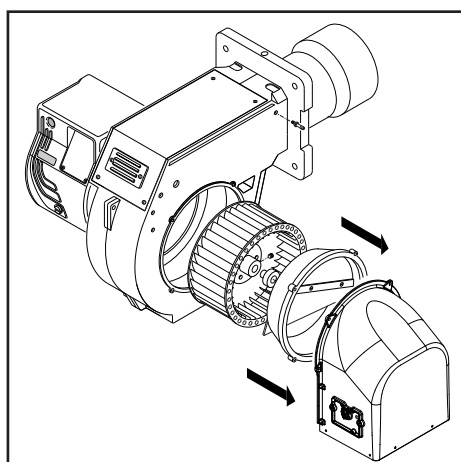
- To simplify the check, use a flue gas temperature indicator.

Attention

- Disconnect the electrical supply before carrying out any maintenance or cleaning work.
- The blast tube and firing head may be hot.

Checking the exhaust gas temperature

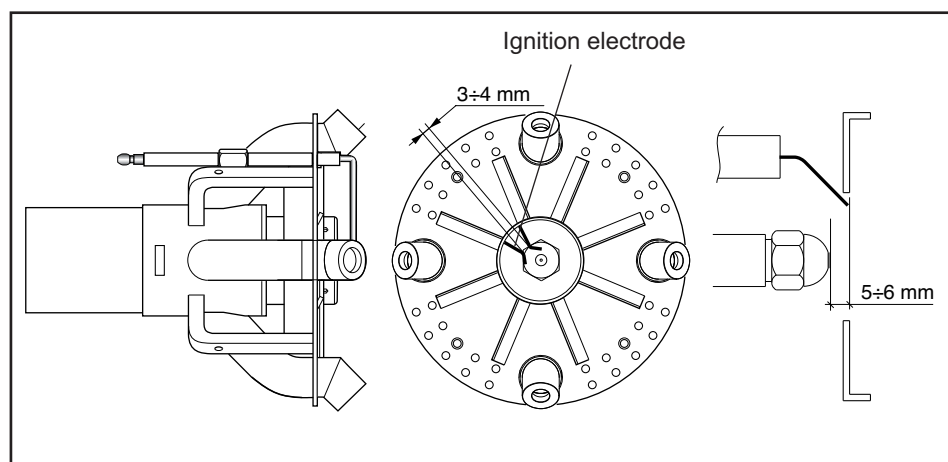
- Check the flue gas temperature at regular intervals.
- Clean the boiler if the flue gas



Maintenance on the burner

- Check gas supply components (tubes, lines) and their connections for leaks or signs of wear, replace if necessary.
- Check electrical connections and connection cables for damage, replace if necessary.
- Check gas filter, clean or replace as necessary.
- Clean fan wheel and housing and check for damage.
- Check and clean the mixing unit.
- Check ignition electrodes block, readjust or replace as necessary.
- Start burner, check flue gas data, correct burner settings if necessary.

- Check the setting for air pressure switch and gas pressostat.
- Check the gas train settings.
- Carry out an operating check.
- Check the oil filter.



Service - Troubleshooting

Fault diagnosis and repair

In the event of a malfunction, first check that the prerequisites for correct operation are fulfilled:

1. Is the system connected to the power supply?
2. Is there any gas pressure?
3. Is the gas shut-off valve open?
4. Are all control and safety devices, such as the boiler thermostat, low

water level detector, limit switch, etc. adjusted correctly?

If the malfunction persists, use the following table.

It is not permitted to repair any components relevant to safety. These components must be replaced by parts with the same order number.

Only use original spare parts.

NB: after each operation:

- under normal operating conditions (doors closed, hood fitted, etc.), check combustion and check the individual lines for leaks.
- Record the results in the relevant documents.

Maintenance

Annual check

The burner (combustion head, electrodes, etc.) must be checked regularly by an authorized technician, once or twice a year, depending on how much it is used. Before proceeding with the maintenance check-up on the burner, it is advisable to check the general condition of the burner and take the following steps:

- Disconnect the burner (remove the plug).
- Close the gas/oil shut-off cock.
- Remove the cover from the burner, clean the fan and air intake.
- Clean the combustion head and check the position of the electrodes.
- Re-install the parts.
- Open the gas/oil shut-off cock.
- Check the seal on the gas/oil connectors.
- Check the state of the flue.
- Start the burner.
- Check the combustion parameters

Before taking any action check:

- That there is power in the circuit and the burner is connected;
- That the gas pressure is right and the gas shut-off cock is open;
- That the control systems are properly connected. If all these conditions have been satisfied, start the burner by pressing the reset button.
- Check the burner cycle.

If the burner fails to start:

check the switch, the thermostats, the motor and the gas pressure.

If the burner proceeds with preventilation but cuts out at the end of the cycle:

- Check the air pressure and the fan.
- Check the air pressure switch.
- Check nozzles (clogged or worn out).
- Check filters (clogged).
- Light-oil pressure too low.
- Air flow rate too high for nozzle's output.

If the burner proceeds with preventilation but does not light:

- Check the installation and position of the electrodes.
- Check the ignition cable.
- Check the ignition transformer.
- Check the safety device.

If the burner lights but cuts out after the safety interval:

- Check that the phase and neutral wires are connected correctly.
- Check the gas solenoid valve.
- Check the position and connection of the UV cell.
- Check the UV cell. Check the safety device.
- Check nozzles (clogged or worn out).
- Check filters (clogged).
- Light-oil pressure too low.
- Air flow rate too high for nozzle's output.

If the burner lights but cuts out after operating for a few minutes:

- Check the pressure regulator and gas filter.
- Check the gas pressure with a pressure gauge.
- Check the detector value.

Contenuti generali - Indice - Avvertenze generali - Dichiarazione di conformità

Panoramica	Dati tecnici	3
	Curve di lavoro	4
	Dimensioni d'ingombro	5
Contenuti generali	Indice	22
	Avvertenze generali , Dichiarazione di conformità	22
	Descrizione del bruciatore	23
Funzione	Funzioni generali di sicurezza	24
	Display - Pannello di comando	25
	Pompa bruciatore	26
	Linea di alimentazione del combustibile	27
	Tabella ugelli Fluidics	28
Installazione	Montaggio del bruciatore	29
	Valvola gas pilota - Pannello di comando	30
	Connessione elettrica	31
	Controlli da eseguire prima della messa in funzione	31
Messa in funzione	Lato Olio	32-33
	Lato Gas	34-35
Assistenza	Manutenzione	36
	Possibili inconvenienti	37
Panoramica	Diagramma perdita di pressione	54-57
	Schemi elettrici	58-59
	Parti di ricambio	60-62

Avvertenze importanti

I bruciatori MULTICALOR sono progettati per la combustione di gas naturale ed olio, con basse emissioni inquinanti. I bruciatori sono conformi alla norma EN 676 e 267, dal punto di vista della progettazione e del funzionamento. Montaggio, messa in funzione e manutenzione devono essere eseguiti esclusivamente da personale tecnico autorizzato, nel rispetto delle direttive e delle prescrizioni in vigore.

Descrizione del bruciatore

I bruciatori MULTICALOR sono progressivi, a funzionamento completamente automatico in esecuzione monoblocco. La costruzione speciale della testa di combustione permette di ottenere una combustione con un debole tasso di ossidi di azoto e un coefficiente di rendimento elevato. I valori delle emissioni corrispondono alla classe 2, come definita da EN676 (NOx<120mg/kWh). A seconda della geometria del focolare, della carica e del sistema di combustione (caldaia a tre percorsi, caldaia a combustione inversa), si possono riscontrare valori di emissione diversi. Sono adatti per l'allestimento di tutti i generatori di calore conformi alla norma EN 303 o degli aerotermini secondo DIN 4794 o DIN 30697 nell'ambito del rispettivo range di potenza. Per ogni altro

utilizzo è necessaria l'autorizzazione della Ecoflam. Al fine di garantire un funzionamento sicuro, non inquinante ed a basso consumo energetico, è necessario rispettare le seguenti norme:

EN 267

Bruciatore di gasolio ad aria soffiata

EN 676

Bruciatore di gas ad aria soffiata

EN 226

Allacciamento di bruciatori di gasolio a nebulizzazione e bruciatori di gas ad aria soffiata su generatori di calore

EN 60335-1, -2-102

Sicurezza degli apparecchi elettrici per uso domestico, norme particolari per gli apparecchi con combustione a gas.

Luogo di installazione

Il bruciatore non dev'essere messo in funzione in locali in cui siano presenti vapori aggressivi (ad es. lacca per capelli, percloroetilene, tetracloruro di carbonio), notevole accumulo di polvere o forte umidità dell'aria (ad es. lavanderie). Una adeguata ventilazione deve essere fornita nel locale dell'installazione in modo da garantire le condizioni per una buona

Dichiarazione di conformità per bruciatori misti

Noi,

Ecoflam Bruciatori S.p.A.

dichiariamo sotto la nostra responsabilità, che i prodotti :

MULTICALOR

sono conformi alle norme elencate :

EN 276

EN 676

EN 55014-1

EN 60335-1

EN 61000-6-2

EN 50156-1

EN 55014-2

EN 60335-2-102

EN 61000-6-3

Questi prodotti vengono contrassegnati con il marchio CE nel rispetto delle direttive:

2014/35/UE Low Voltage Directive

2014/30/UE EMC Directive

2006/42/EC Machine directive

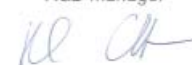
2011/65/EU RoHS2 directive

2009/142/CEE Gas Appliance

Directive

February, 2016 / Mr. Ruben Cattaneo

R&D manager



combustione. Si possono riscontrare scostamenti dovuti ad eventuali normative locali.

Si esclude qualsivoglia responsabilità per eventuali danni derivanti dalle seguenti cause:

- utilizzo non conforme.
- montaggio difettoso e/o riparazione a cura dell'acquirente o terzi, ivi inclusa l'applicazione di elementi di origine estranea.

Consegna e istruzioni per l'uso

Il costruttore dell'impianto di combustione è tenuto a consegnare al gestore dell'impianto, al più tardi all'atto della consegna dello stesso, le istruzioni per l'uso e la manutenzione. Queste istruzioni devono essere appese nel locale di installazione del generatore termico in modo ben visibile. Devono essere indicati l'indirizzo ed il numero telefonico del punto di assistenza più vicino.

Avvertenza per il gestore

L'impianto dev'essere controllato almeno una volta l'anno da un tecnico specializzato. Al fine di garantire un'esecuzione regolare, si suggerisce di stipulare un contratto per la manutenzione dell'impianto.

I bruciatori Ecoflam sono stati progettati e costruiti nel rispetto delle normative e direttive correnti. Tutti i bruciatori rispondono alle normative sulla sicurezza e sul risparmio energetico nel limite del campo di lavoro dichiarato.

La qualità del prodotto è garantita dal sistema di certificazione in base alla norma ISO 9001:2008.

Contenuti generali - Descrizione del bruciatore

MULTICALOR 170.1 PRE TC 230-400-50

NOME

MULTICALOR bruciatori misti (Gas / gasolio)

MODELLO (Gas: kW; Oil: kg/h)

MULTICALOR 170.1 150 kg/h - 1770 kW

EMISSIONI

- Standard Classe 2 - GAS EN676 (≤ 120 mg/kWh)

TIPO DI FUNZIONAMENTO

PR 2 stadi progressivo meccanico

PRE 2 stadi progressivo elettronico

LUNGHEZZA TESTA

TC Testa corta

TL Testa lunga

COMBUSTIBILE

Gas naturale

LPG Gas propano

BIOGAS Biogas

TENSIONE DI ALIMENTAZIONE

230-400-50 230-400 Volt, 50 Hz

Imballaggio

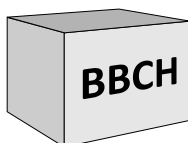
Il bruciatore è consegnato con un sistema modulare di imballo (scatole separate):

BBCH: Bruciatore completo con testa di combustione e flangia.

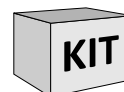
- 1 sacchetto : - manuale tecnico in multilingue.
- viti, dadi e rosette.

GT: Rampa Gas separata

KIT & ACS ordinabili e consegnati separatamente



KIT & ACS ordinabili e consegnati separatamente



Funzione - Funzioni generali di sicurezza

Descrizione del funzionamento

Alla prima messa sotto tensione, dopo un'interruzione di corrente e una fase di messa in sicurezza, dopo un'interruzione di gas o dopo un arresto di 24 ore, comincia un tempo di preventilazione.

Durante il tempo di preventilazione:

- la pressione dell'aria viene monitorata.
- controllo della presenza di eventuali segnali di fiamma anomali.

Al termine del tempo di preventilazione

- l'accensione è inserita.
- l'elettrovalvola principale e di sicurezza è aperta.
- il bruciatore si avvia.

Sorveglianza

La fiamma viene monitorata da fotocellula UV. Il bruciatore entra in stato di anomalia, se la fotocellula non rileva la luce della fiamma.

Funzioni di sicurezza

- Se all'avvio del bruciatore (rilascio del gas) non si forma la fiamma, il bruciatore viene arrestato al termine di un intervallo di sicurezza di max. 3 secondi, la valvola del gas si chiude.
- In caso di anomalia della fiamma durante il funzionamento, l'alimentazione del gas si interrompe nella frazione di un secondo. Viene avviata una nuova messa in funzione. Se il bruciatore si avvia, il ciclo di funzionamento prosegue. In caso contrario si instaura una fase di messa in sicurezza.
- In caso di mancanza d'aria durante la preventilazione o il funzionamento, si instaura una fase di messa in sicurezza.
- In caso di mancanza di gas, il bruciatore non si mette in funzione e/o si arresta.

Arresto di regolazione

- Il termostato di regolazione interrompe la richiesta di riscaldamento.
- Le valvole gas si chiudono.

- La fiamma si spegne.
- Il motore del ventilatore si ferma.
- Il bruciatore è pronto per il funzionamento.

Funzionamento

Una volta sviluppata la fiamma, viene abilitato il regolatore di potenza che porta il bruciatore in posizione operativa. Il regolatore di potenza controlla ora automaticamente il bruciatore tra le proprie fasi di carico parziale e di pieno carico. A seconda del calore richiesto, l'attuatore elettrico del sistema di comando composito verrà alimentato con comando APERTO o CHIUSO tramite il regolatore e pertanto aumenterà o diminuirà la portata dell'olio (gas) e dell'aria. Questo sistema di controllo composito varia le posizioni della valvola di comando dell'olio (gas) e del regolatore dell'aria, regolando quindi la portata dell'olio (gas) in relazione alla portata dell'aria. Il bruciatore può essere controllato in base a un concetto di scorrimento a 2 fasi oppure, se è disponibile un relativo controller, in base a un concetto di variazione continua. Il variatore continuo consente al bruciatore di essere azionato in qualsiasi fase tra le proprie posizioni di carico parziale e di pieno carico. Prima di spegnersi il bruciatore si porta alla minima potenza. All'arresto del bruciatore, la serranda dell'aria si richiude impedendo il flusso di aria fredda nella camera di combustione, nello scambiatore termico e nel camino. Le perdite di raffreddamento interne sono ridotte al minimo. successivo funzionamento.

Controllo di tenuta valvole per bruciatori in versione PRE

La relativa funzione è di solito attivata nei bruciatori PRE. Prima della messa in funzione del bruciatore, controllare se questo controllo è "ATTIVATO" (guardare il menù nella sezione 5 "Comando e

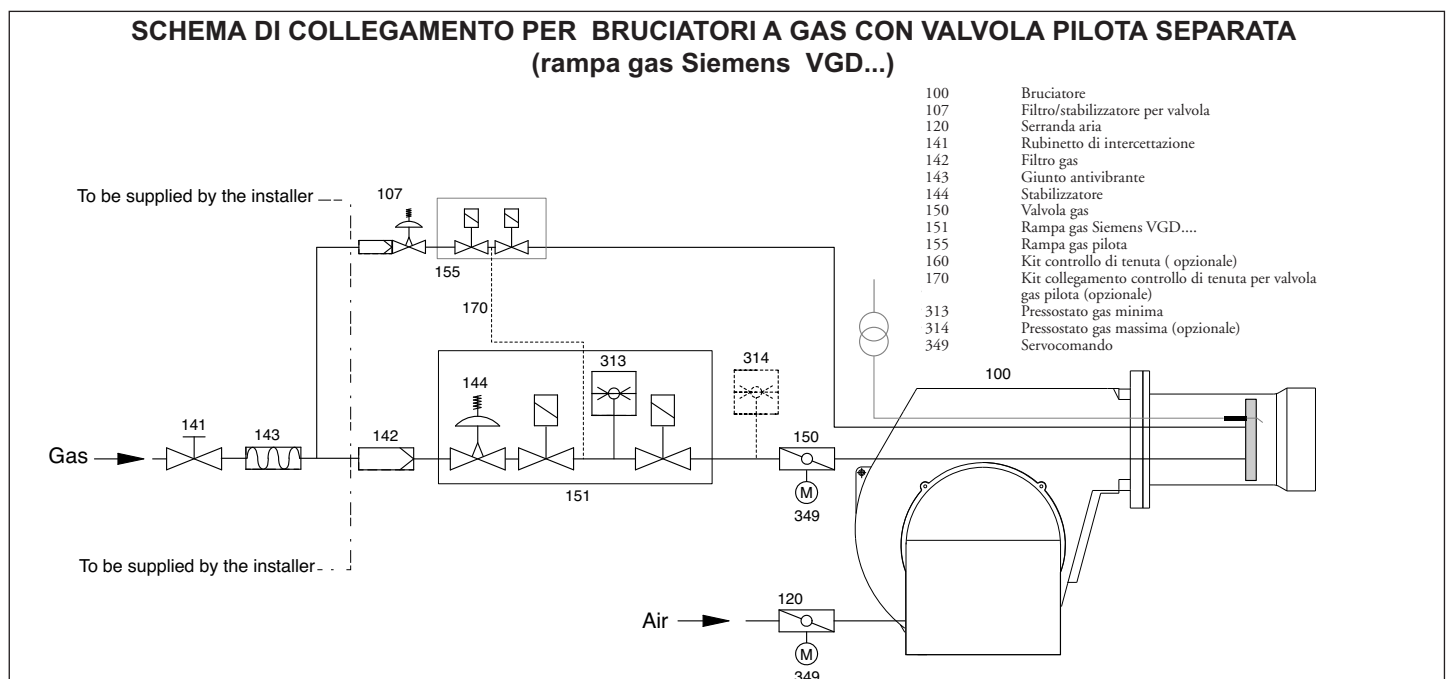
Display" pag.69, fig.5-32).

Se il controllo di tenuta delle valvole non è obbligatorio e "NON ATTIVATO" nel menù, la conformazione della rampa gas deve essere modificata portando il pressostato gas di minima F4 a monte della prima valvola gas, cioè prima del dispositivo Y12 (valvola principale 1).

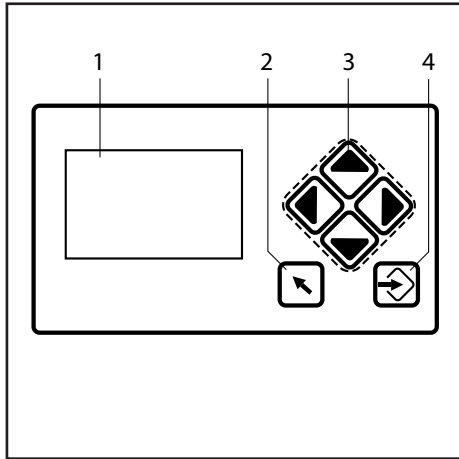
Principio di funzionamento:

Il controllo della tenuta verifica la tenuta delle valvole principali del gas. Ai fini della verifica viene utilizzata la pressione del gas di alimentazione. Poiché in caso di spegnimento del bruciatore il tratto di controllo della tenuta (spazio tra le due valvole principali) viene vuotato, normalmente questa sezione non presenta pressione durante l'avvio (il pressostato gas di minima è in posizione di 0). La verifica è effettuata dall'apparecchiatura BT. Di seguito viene aperta per breve tempo la valvola principale 1 e il gas affluisce nel tratto di controllo (il pressostato gas di minima passa da 0 a 1). Durante il tempo di apertura della valvola principale 1, è necessario vi sia pressione del gas. In caso contrario l'apparecchiatura BT rileva assenza di gas. La pressione del gas dovrà rimanere costante almeno per tutta la durata del periodo di controllo della tenuta (2 secondi + P 311). In seguito il controllo della tenuta è considerato concluso. Se il tratto in cui viene effettuato il controllo della tenuta all'avvio non sia vuoto (ad esempio a seguito di un blocco di sicurezza), verrà aperta per prima la valvola principale 2 quindi il tratto di controllo della tenuta viene sfiato. Durante il periodo in cui viene eseguito il controllo della tenuta il tratto di controllo rimane o meno senza pressione. Dopodiché il processo prosegue come sopra descritto.

SCHEMA DI COLLEGAMENTO PER BRUCIATORI A GAS CON VALVOLA PILOTA SEPARATA (rampa gas Siemens VGD...)



Funzione - Display UI300




- 1 Display
- 2 Tasto indietro
- 3 Tasti cursore
- 4 Tasto invio


Display

Il display conduce tra i diversi menu con pittogrammi e mostra :

- La struttura del menu
- Gli stati operativi
- I parametri
- I messaggi di errore

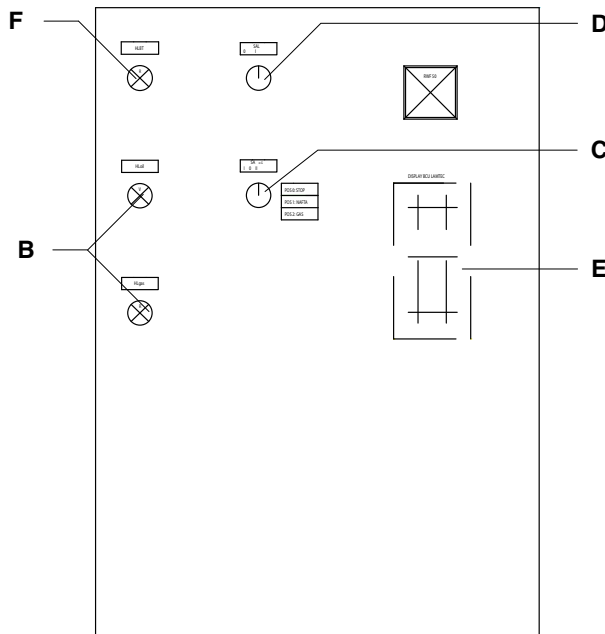
 Passa alla finestra precedente.

 Con i tasti cursore è possibile navigare all'interno del menu. Con i tasti freccia a destra e freccia a sinistra è possibile muoversi progressivamente verso la riga selezionata. Alla fine della riga selezionata, il cursore passa alla riga inferiore, se presente. Nel caso di menu con più righe, premendo i tasti è possibile passare alle righe superiori o inferiori. Per quanto riguarda le schermate dei parametri è possibile passare da un campo all'altro.

 Con il tasto Invio, è possibile richiamare il menu nella schermata di avvio. In una finestra del menu sarà quindi possibile aprire il sottomenu selezionato. In una finestra dei parametri, grazie al tasto Invio, è possibile trasferire i valori impostati. Se il tasto INVIO si illumina di rosso, è possibile effettuare uno sbloccaggio difetti sul BT3xx. Se il tasto Invio emette una luce rossa permanente, viene visualizzata un'anomalia con riavviamento automatico.

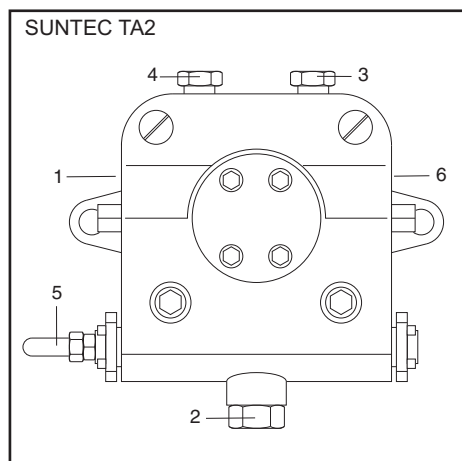
! Prima del montaggio o dello smontaggio del programmatore, la tensione dell'apparecchio deve essere disinserita. Il programmatore di comando non dev'essere aperto né riparato.

Funzione - Pannello di comando



- F** - Lampada di blocco termico
- B** - Lampade di funzionamento (arancione= gasolio; verde= gas)
- C** - Selettore:
 - 0 = Stop
 - 1 = funzionamento olio pesante
 - 2 = funzionamento gas
- D** - Interruttore ON/OFF
- E** - display

Funzione - Pompa del bruciatore



- 1 allacciamento aspirazione.
- 2 allacciamento di ritorno.
- 3 allacciamento manometro olio.
- 4 allacciamento manometro depressione.
- 5 regolazione della pressione olio.
- 6 allacciamento pressione.

La pompa utilizzata nei bruciatori di olio è una pompa ad ingranaggi autoadescente, che deve essere collegata con sistema bitubo; nella tubazione d'aspirazione inserire il filtro. Nella pompa sono incorporati un filtro d'aspirazione ed un regolatore di pressione del olio. Prima della messa in funzione dell'apparecchio collegare i manometri per le misurazioni della pressione e della depressione.

NB: prima di avviare il bruciatore, controllare che il ritorno sia aperto. Un'eventuale ostruzione può causare danni alla guarnizione della pompa.

DATI TECNICI

Generalità

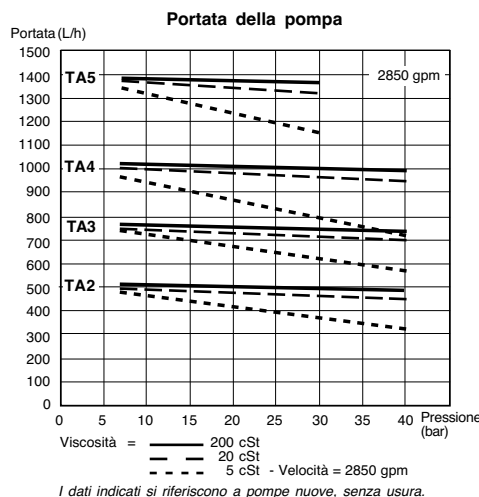
Montaggio	a flangia
Attacchi	cilindrici in accordo con ISO 228/1
Entrata e ritorno	G 1/2"
Uscita all'ugello	G 1/2"
Attacco manometro pressione	G 1/4"
Attacco vuotometro	G 1/4"
Albero	Ø 12 mm
Grano di by-pass	inserito nel foro di attacco vuotometro per installazione a 2 tubi ; da togliere con chiave tipo Allen 3/16" per installazione monotubo
Peso	5,4 kg (TA2) - 5,7 kg (TA3) 6 kg (TA4) - 6,4 kg (TA5)

Dati idraulici

Campo di pressione	30 : 7 - 30 bar
all'ugello	40 : 7 - 40 bar
Taratura di fabbrica	30 bar
Campo viscosità	4 - 450 cSt
Temperatura olio	0 - 140°C max. nella pompa
Pressione entrata	installazioni a gasolio : 0,45 bar max. vuoto per evitare la separazione dell'aria dall'olio installazioni a nafta : 5 bar max.
Pressione ritorno	installazioni a gasolio : 5 bar max. installazioni a nafta : 5 bar max.
Velocità	3600 gpm max.
Coppia di spunto	0,30 N.m

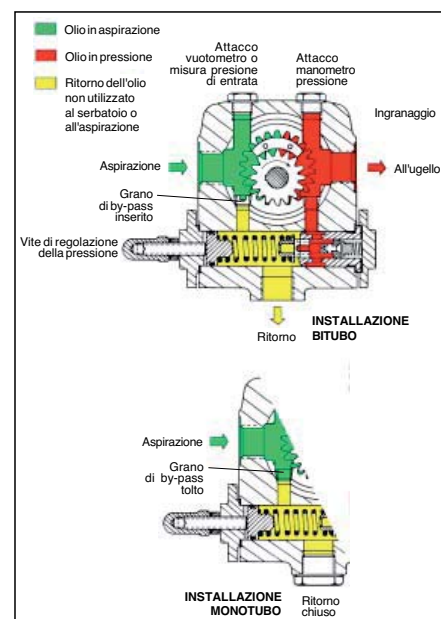
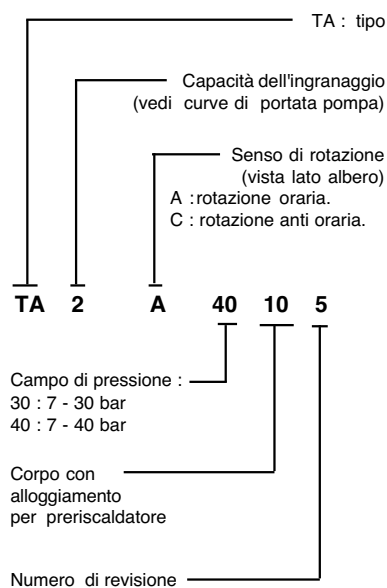
Scelta del riscaldatore

Cartuccia	Ø 12 mm
Raccordo di collegamento	in accordo con DIN 40430 - NFC 68190 (N° 9 elec.)
Potenza	80-100 W



IDENTIFICAZIONE DELLA POMPA

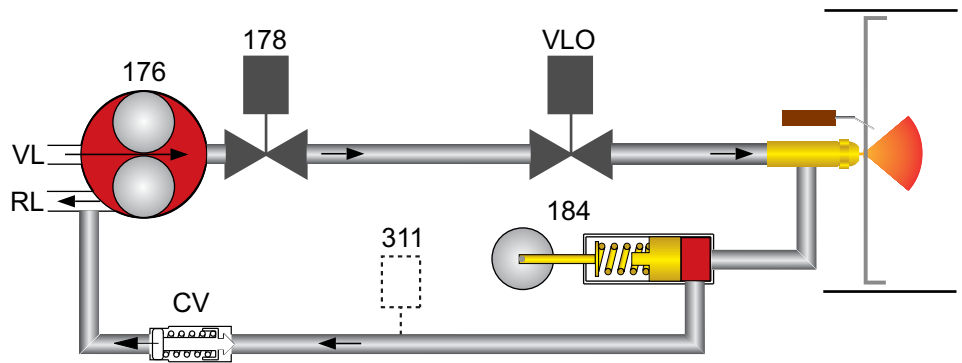
(Non tutte le combinazioni sono disponibili
Contattare Suntec)



Funzione - Linea di alimentazione del combustibile

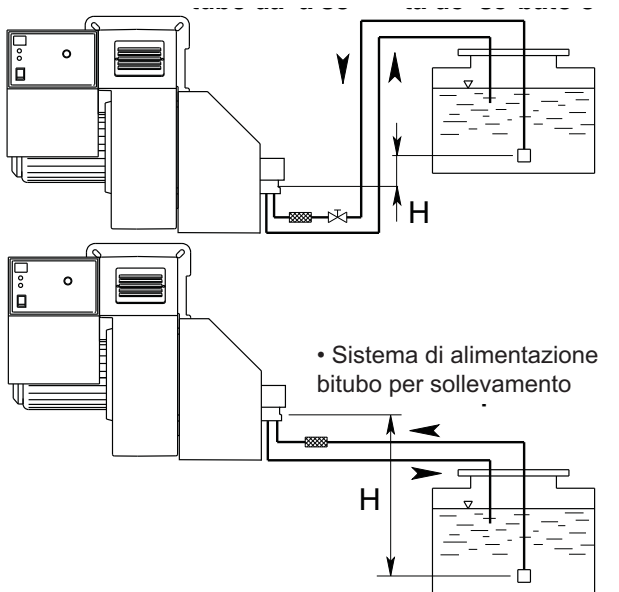
CIRCUITO IDRAULICO DI ALIMENTAZIONE

176: pompa gasolio
 178: elettrovalvola di sicurezza
 184: valvola di controllo portata
 311: pressostato olio di ritorno
 CV: valvola non ritorno
 RL: linea di ritorno
 VL: linea di aspirazione
 VLO: elettrovalvola di lavoro



LUNGHEZZA DEI TUBI DELLE LINEE DI ASPIRAZIONE

• Sistema di alimentazione bitubo a sifone.



• Sistema di alimentazione bitubo per sollevamento

Il bruciatore è dotato di una pompa autoadescente che è in grado di alimentarsi entro i limiti elencati nella tabella a lato.

H (m)	LUNGHEZZA (m)				
	J7		TA2		
	ø 14 mm	ø 16 mm	ø 14 mm	ø 16 mm	ø 20 mm
3,5	31	55	--	--	--
3	29	52	35	80	150
2,5	--	--	30	72	150
2	25	44	27	65	150
1,5	--	--	24	61	150
1	20	37	20	57	150
0,5	18	33	17	50	150
0	16	29	14	42	140
-0,5	14	26	10	38	130
-1	12	22	--	35	125
-1,5	--	--	--	25	100
-2	7	14	--	15	75
-2,5	--	--	--	--	60
-3	3	7	--	--	40
-3,5	1	4	--	--	--
-4	--	--	--	--	--

AVVERTENZA: per calcolare la lunghezza delle tubazioni devono essere prese in considerazione tutte le parti rettilinee, le curve, le tubazioni verso l'alto e verso il basso. L'altezza di aspirazione statica è la distanza tra la valvola permanente e l'asse della pompa del bruciatore. La pressione negativa non deve superare 0,45 bar; se la pressione negativa è maggiore, il funzionamento della pompa può diventare difettoso, portando ad un aumento del rumore meccanico e forse anche alla rottura.

Tutte le installazioni ad anello di olio devono essere conformi alle norme di sicurezza locali esistenti nel paese di installazione.

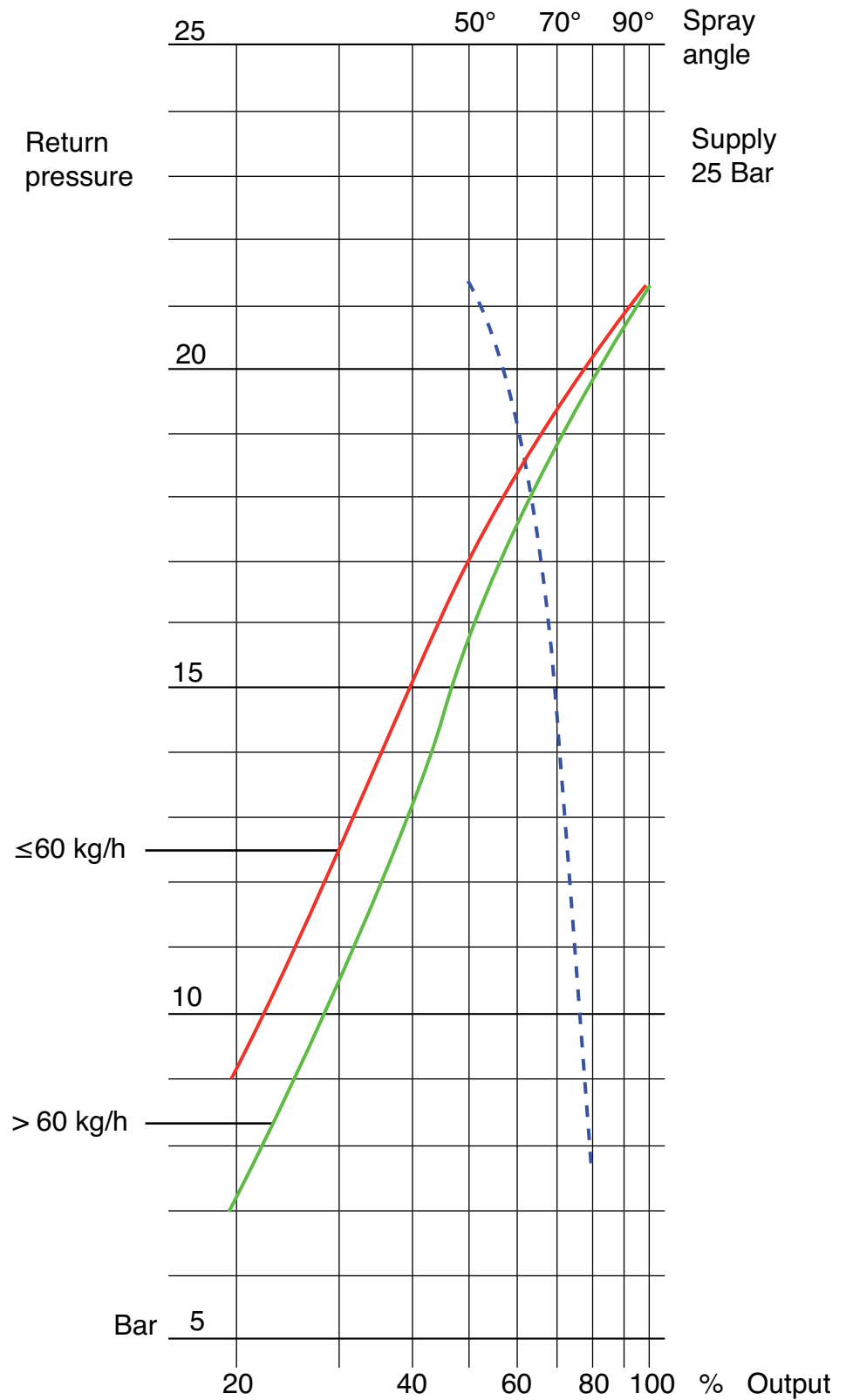
Funzione - Tabella ugelli Fluidics



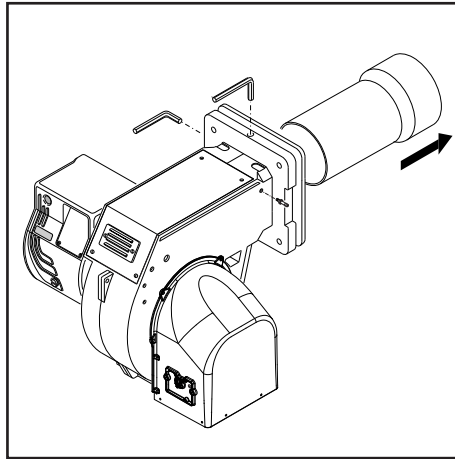
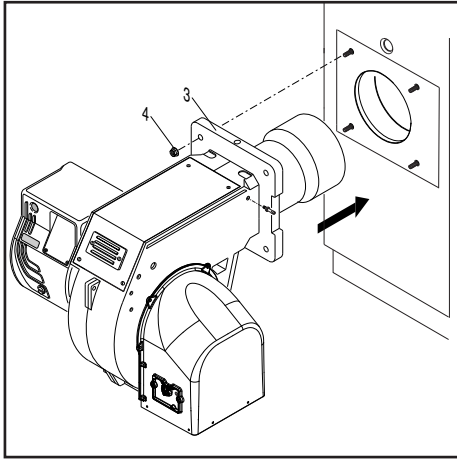
UGELLO DI RITORNO

Il tipo di ugello Fluidics W è un ugello di by-pass con caricamento a molla integrato ad un ago di cut-off.

Il flusso è controllato variando variando la pressione di ritorno, mantenendo la pressione di alimentazione a livello costante. Prima dell'avvio del bruciatore, controllare la dimensione dell'ugello rispetto all'uscita richiesta. Potrebbe essere necessario sostituire l'ugello (vedere lo schema di selezione degli ugelli).



Installazione - Montaggio del bruciatore



Montaggio del bruciatore

bruciatore viene fissato alla caldaia.

Montaggio :

- Fissare la flangia di attacco 3 alla caldaia con le viti 4.

Smontaggio :

- Allentare le viti e rimuovere il bruciatore.

Profondità di montaggio del boccaglio del bruciatore e rivestimento refrattario

Per i generatori senza parete anteriore raffreddata e in assenza di indicazioni contrarie da parte del costruttore della caldaia, è necessario eseguire un rivestimento in mattoni o l'isolamento secondo la figura (5) a lato. Il rivestimento in mattoni non deve sporgere oltre il bordo anteriore del boccaglio e deve terminare con una conicità massima di 60°.

Lo spazio d'aria (6) dev'essere riempito con un materiale isolante elastico, non infiammabile.

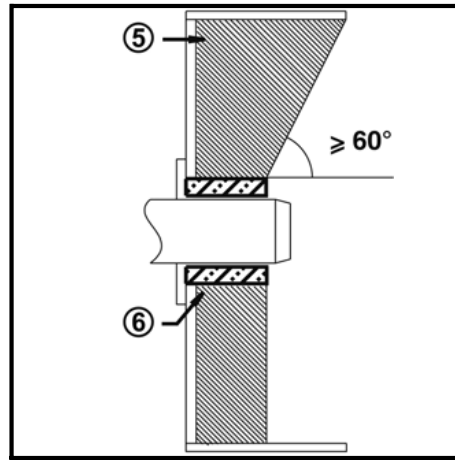
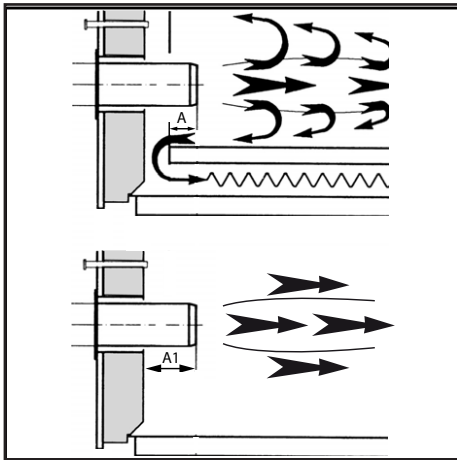
Per le caldaie deve essere rispettata la profondità di penetrazione del boccaglio, in conformità con le indicazioni fornite dal costruttore della caldaia stessa.

Caldaie ad inversione di fiamma :

A = 50-100 mm.

Caldaie a tre giri di fumo :

A1 = 50-100 mm.



Condotto dei fumi

Al fine di evitare rumorosità indesiderate si raccomanda di evitare l'utilizzo di raccordi ad angolo retto al momento del collegamento della caldaia al camino.

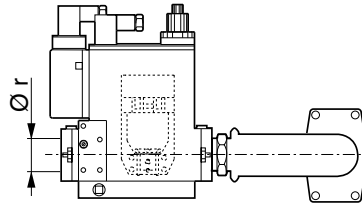
Linea alimentazione gas

Nell'installazione della linea di alimentazione e della rampa gas bisogna osservare le prescrizioni della EN676. Si deve installare il Kit obbligatorio EN676. Ulteriori accessori dovranno essere montati dall'installatore per soddisfare eventuali normative locali.

E' responsabilità dell'installatore installare gli elementi di supporto aggiuntivi necessari per non sollecitare il bruciatore con l'ulteriore peso di eventuali accessori e tubazioni a monte della rampa. Il corpo del bruciatore è progettato per sostenere unicamente il peso della propria rampa gas e del raccordo tra rampa e corpo bruciatore.

Prescrizioni di ordine generale per l'allacciamento del gas

- Il collegamento della rampa gas alla rete del gas deve essere effettuato esclusivamente da un tecnico esperto autorizzato.
- La sezione della tubazione del gas deve essere preparata in modo tale che la pressione di alimentazione del gas non possa scendere al di sotto del valore prescritto.
- Una valvola manuale di arresto (non fornita) deve essere montata a monte della rampa gas.



Allacciamento dell'olio

Il filtro deve essere montato in modo tale che sia garantita una corretta guida del tubo flessibile. I tubi flessibili non devono essere piegati.

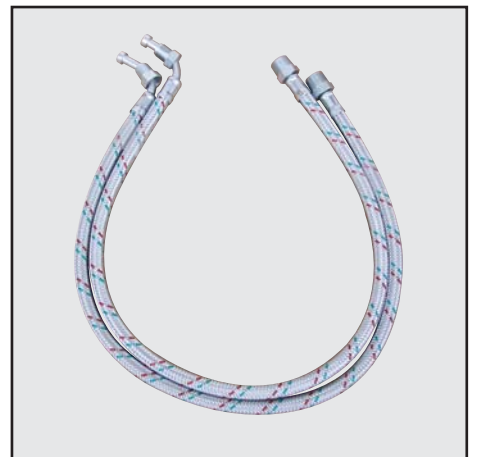
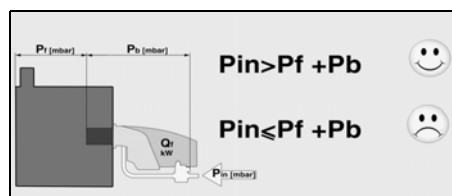


LEGENDA

Pf: Contropressione al focolare

Pb: Pressione gas bruciatore (testa di combustione + rampa gas)

Pin: Pressione minima di alimentazione



Installazione - Rampa gas pilota

COLLEGAMENTO RAMPA GAS PILOTA

La rampa gas pilota è già montata al bruciatore e deve essere collegata alla linea principale di alimentazione del gas preferibilmente con il tubo flessibile. La rampa gas pilota si compone di n° 2 valvole di sicurezza e di n° 1 regolatore di pressione e filtro. Max pressione in ingresso 1 bar.

ATTENZIONE: rampa gas pilota deve essere collegato secondo lo schema della linea gas.

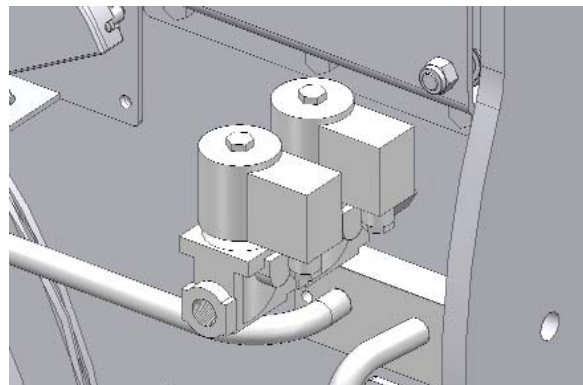
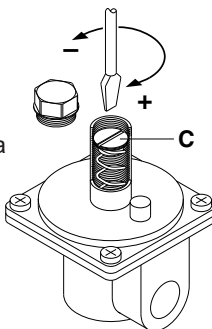
Regolazione delle valvole gas

Nota : le valvole pilota sono pre-regolati in fabbrica. Per aumentare o diminuire il flusso di gas agire sul regolatore di pressione.

Regolazione del regolatore di pressione

Il regolatore di pressione, con filtro incorporato, deve essere montato per stabilizzare la pressione del gas in uscita ed evitare che eventuali impurità arrivino alla valvola del gas. Per aumentare la pressione del gas in uscita, togliere il coperchio del regolatore ed avvitare la vite C; per ridurla svitare la vite C, quindi rimettere il coperchio.

Nota: la pressione del gas in ingresso non deve essere superiore alla pressione massima prevista.



KITPRES... Montaggio pressostato gas max

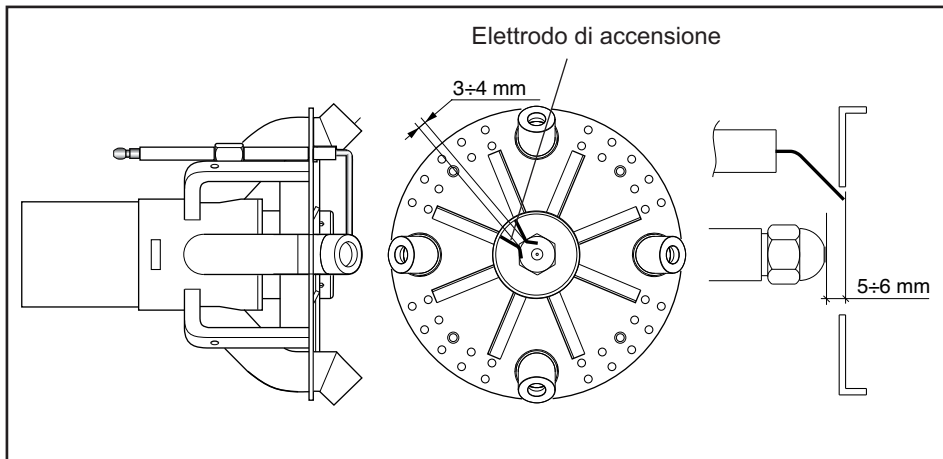
Pressostato gas di massima viene fornito come kit e deve essere assemblato nella rampa gas principale secondo le istruzioni del manuale rampa gas.

KITMD-RWF50 PID regolatore

Tutti i bruciatori progressivi possono essere modificati in modulanti installando il KITMD-RWF50 che regola la potenza con una sonda.

Kit modulante	Pressostato gas max
KITMD-RWF50	KITPRES50
Sonda -...	KITPRES150

Installazione - Connessione elettrica - Controlli da eseguire prima della messa in funzione



Allacciamento elettrico

L'impianto elettrico e i lavori di allacciamento devono essere eseguiti esclusivamente da personale specializzato autorizzato. A tal proposito devono essere rispettate le normative e le direttive vigenti. L'impianto d'alimentazione dovrà essere dotato di un interruttore differenziale di tipo A.

Rispettare obbligatoriamente le prescrizioni e le direttive in vigore, oltre allo schema elettrico fornito con il bruciatore!

- Verificare che l'apparecchio sia collegato ad un efficace impianto di terra.
- Verificare che il conduttore di terra del cavo di alimentazione sia più lungo di un paio di cm rispetto agli altri.
- Verificare che la tensione di rete corrisponda alla tensione d'esercizio indicata nello schema elettrico e targa dati.
- Fusibile sul bruciatore : 5 A

Allacciamento elettrico (plug-in)

Il bruciatore deve poter essere scollegato dalla rete mediante uno dei corrispondenti dispositivi di interruzione onnipolari conformi alle norme vigenti. Bruciatori e generatori termici (caldaie) vengono collegati tra di loro mediante una connessione alla morsettiere del pannello (fig.1).

Collegamento della rampa gas

Eseguire il collegamento della rampa gas con le prese situate sul bruciatore.

I bruciatori sono prodotti con i collegamenti adatti all'alimentazione 380-400 V trifase.

I bruciatori con motori elettrici di potenza inferiore o uguale a 3 kW possono essere adattati per alimentazione a 220-230 V (seguire le istruzioni sul retro); per i motori con potenze superiori è possibile solo l'alimentazione a 380-400 V trifase. In caso di richiesta di bruciatori diversi dallo standard sopra indicato si raccomanda di farne specifica menzione nell'ordine.

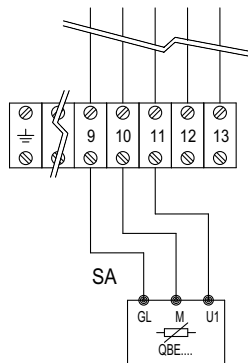
Istruzioni: come adattare motori elettrici di potenza uguale o inferiore a 3 kW per alimentazione 220-230 V

E' possibile modificare il voltaggio del bruciatore operando come segue:

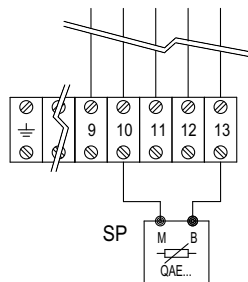
1. modificare il collegamento all'interno della scatola di alimentazione del motore elettrico: da stella a triangolo (vedi figura 3);
2. modificare la taratura del relè termico, riferendosi ai valori di assorbimento riportati nella targa dati del motore elettrico. Se necessario, sostituire il relè termico con altro di scala idonea. Questa operazione non è possibile su motori superiori ai 3 kW. Per ulteriori informazioni, vi preghiamo di contattare il personale Ecoflam.

COLLEGAMENTO SONDE

COLLEGAMENTO SONDA ATTIVA (PER VERSIONE MODULANTE)



COLLEGAMENTO SONDA PASSIVA (PER VERSIONE MODULANTE)



Posizione elettrodi

Verificare sempre la posizione degli elettrodi dopo la loro sostituzione o il montaggio del KIT LPG. Una posizione errata può comportare problemi di accensione.

Controlli da eseguire prima della messa in funzione

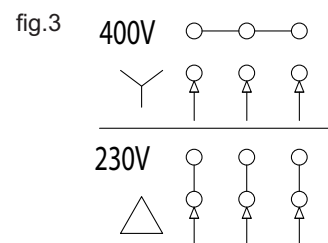
Prima della messa in funzione devono essere controllati i seguenti punti.

- Montaggio del bruciatore secondo le presenti istruzioni.
- Preimpostazione del bruciatore secondo le indicazioni riportate nella tabella di regolazione.
- Controllo degli organi di combustione
- Il generatore termico dev'essere pronto per l'uso, le prescrizioni di montaggio del generatore termico devono essere rispettate.
- Tutti gli allacciamenti elettrici devono essere eseguiti correttamente.
- Il generatore termico ed il sistema di riscaldamento sono pieni d'acqua, le pompe di circolazione sono in funzione.
- Termostati, regolatore di pressione, dispositivo di sicurezza in caso di carenza d'acqua ed altri dispositivi limitatori eventualmente installati sono correttamente collegati e funzionanti.
- Le vie di scarico dei fumi devono essere sgombrare, il dispositivo per l'aria secondaria, se presente, dev'essere in funzione.
- Dev'essere garantito un sufficiente apporto di aria pura.
- Dev'essere presente una richiesta di riscaldamento.
- Deve essere disponibile una pressione del gas sufficiente.
- I condotti per il combustibile devono essere installati a regola d'arte, devono essere sottoposti ad un controllo per garantirne l'ermeticità ed essere disaerati.
- Il punto di misurazione previsto dalla norma per il controllo dei fumi di scarico dev'essere presente, il percorso dei fumi sino al punto di misurazione dev'essere a tenuta stagna in modo che i risultati delle misurazioni non possano essere falsati.

LEGENDA

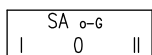
SA: sonda attiva

SP: sonda passiva



Messa in funzione - Lato gasolio

Procedere con l'avvio sul lato gasolio. Impostare il funzionamento alla capacità minima.



0=STOP
1=OIL
2=GAS



KMP - KMV contattore: controllare la rotazione del motore pompa dell'olio e del motore del ventilatore dell'aria e mantenere premuto KMP fino al caricamento del circuito dell'olio. Se la rotazione non è corretta, inverte le due fasi sull'alimentazione.



KMV

KMP

Avviamento del bruciatore

L'apparecchiatura di controllo avvia il ciclo di pre-ventilazione, il motore di ventilazione, il motore pompa e il servomotore che porta la serranda in posizione completamente aperta. Alla fine del prelavaggio, l'apparecchiatura di controllo pilota il servomotore nella posizione di accensione ed alimenta il trasformatore di accensione. Dopo pochi secondi l'apparecchiatura di controllo apre le valvole gasolio e parte la fiamma. Dopo la stabilizzazione della fiamma il bruciatore va in bassa fiamma. In caso di accensione difettosa, l'apparecchiatura di controllo blocca il bruciatore, in tal caso è necessario riarmare il bruciatore. Aumentare gradualmente la potenza del bruciatore dalla bassa fiamma alla alta e impostare la curva del servomotore dell'olio per avere una fiamma stabile. Fare riferimento al manuale LAMTEC allegato.

Regolazione della portata massima dell'olio

Mettere il selettore sul funzionamento a olio. Regolare la pressione dell'olio leggendo il valore sul manometro collegato alla presa di pressione, in base alle tabelle degli ugelli fornite nell'appendice. La regolazione dell'olio viene eseguita tramite l'impostazione dei parametri LAMTEC. Fare riferimento al manuale LAMTEC allegato.

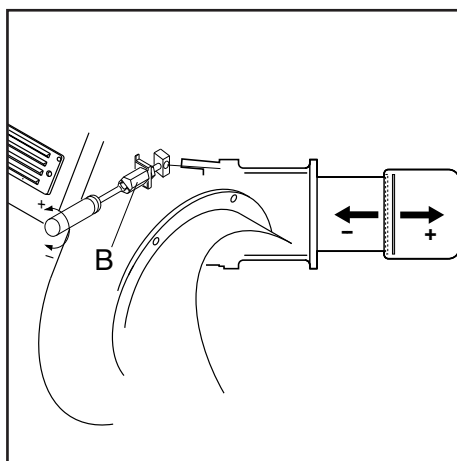
NOTA: la pressione della pompa viene impostata dalla fabbrica alla pressione richiesta per l'ugello richiesto come dalla tabella degli ugelli nell'appendice. Se la portata richiesta è diversa da quella impostata in fabbrica, la pressione può essere regolata in base alle istruzioni seguenti.

Regolazione della portata massima dell'aria

La regolazione di aria e olio viene eseguita tramite l'impostazione dei parametri LAMTEC. Fare riferimento al manuale LAMTEC allegato.

Regolazione della testa di combustione

La testa di combustione è pre-impostata al 50% dalla fabbrica. L'impostazione aperta permette di raggiungere la massima potenza del bruciatore ed invece chiusa per raggiungere la potenza minima del bruciatore. La posizione ottimale dipende dalla potenza che dobbiamo raggiungere, ma l'impostazione di default deve essere modificato solo quando non si è in grado di raggiungere il valore di combustione suggerito regolando il flusso d'aria nella fiamma massima.



Servomotore LAMTEC

Le regolazione aria e gasolio si ottengono attraverso le impostazione dei parametri LAMTEC. Fare riferimento al manuale allegato LAMTEC.



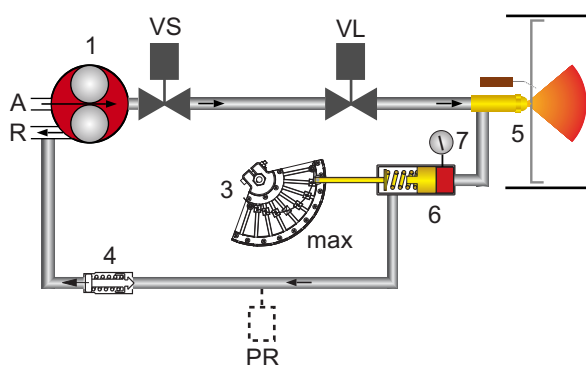
Pericolo di deflagrazione:

durante le operazioni di regolazione, verificare costantemente le emissioni di CO, CO₂ e l'indice di fumosità. In presenza di formazioni di CO modificare i valori della combustione. Il valore massimo di CO non deve superare i 50ppm.

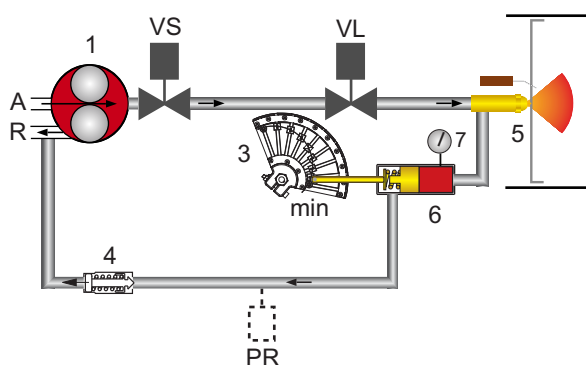
Messa in funzione - Lato gasolio

Regolazione della capacità intermedia del bruciatore

Le regolazioni del gasolio si ottengono attraverso le impostazioni dei parametri LAMTEC. Fare riferimento al manuale allegato LAMTEC.



AVVERTENZA: una volta completata la regolazione dell'olio, accertarsi di chiudere la presa di pressione del manometro.

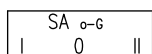


LEGENDA

1. pompa gasolio
- VS. elettrovalvola di sicurezza
3. camma gasolio
4. valvola non ritorno
- VL. elettrovalvola di lavoro
- PR. pressostato gasolio (optional)
5. ugello
6. regolatore di pressione
7. manometro – presa di pressione

Messa in funzione - Lato gas

Selezionare il funzionamento a gas per procedere all'avviamento sul lato gas.



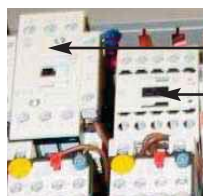
0=STOP

1=OIL

2=GAS



KMV contattore: controllare la rotazione del motore ventilazione. Se non è corretta invertire le due fasi di alimentazione.



KMV

KMP

Avviamento del bruciatore

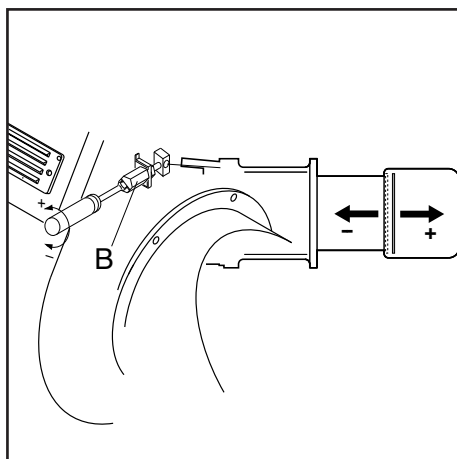
L'apparecchiatura di controllo avvia il ciclo di pre-ventilazione, il motore di ventilazione e il servomotore che porta la serranda aria in posizione completamente aperta. Alla fine del prelavaggio, l'apparecchiatura di controllo pilota il servomotore nella posizione di accensione ed alimenta il trasformatore di accensione. Dopo pochi secondi l'apparecchiatura di controllo apre le valvole gas e parte la fiamma. Dopo la stabilizzazione della fiamma il bruciatore va in bassa fiamma. In caso di accensione difettosa, l'apparecchiatura di controllo blocca il bruciatore, in tal caso è necessario riarmare il bruciatore. Aumentare gradualmente la potenza del bruciatore dalla bassa fiamma alla alta e impostare la curva del servomotore gas per avere una fiamma stabile. Fare riferimento al manuale LAMTEC allegato.

Regolazione della portata massima dell'aria

La regolazione di aria e gas viene eseguita tramite l'impostazione dei parametri LAMTEC. Fare riferimento al manuale LAMTEC allegato.

Regolazione della testa di combustione

La testa di combustione è pre-impostata al 50% dalla fabbrica. L'impostazione aperta permette di raggiungere la massima potenza del bruciatore ed invece chiusa per raggiungere la potenza minima del bruciatore. La posizione ottimale dipende dalla potenza che dobbiamo raggiungere, ma l'impostazione di default deve essere modificato solo quando non si è in grado di raggiungere il valore di combustione suggerito regolando il flusso d'aria nella fiamma massima.



Servomotore LAMTEC

Le regolazione aria e gas si ottengono attraverso le impostazioni dei parametri LAMTEC. Fare riferimento al manuale allegato LAMTEC.



Pericolo di deflagrazione: durante le operazioni di regolazione, verificare costantemente le emissioni di CO, CO₂ e l'indice di fumosità. In presenza di formazioni di CO modificare i valori della combustione. Il valore massimo di CO non deve superare i 50ppm.

Messa in funzione - Lato gas

Regolazione della capacità intermedia del bruciatore

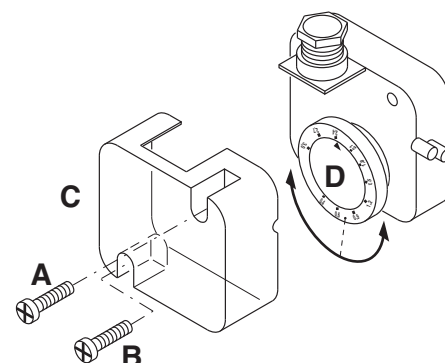
Le regolazioni del gas si ottengono attraverso le impostazioni dei parametri LAMTEC. Fare riferimento al manuale allegato LAMTEC.

Regolazione del pressostato aria

Il pressostato aria controlla la pressione dell'aria di ventilazione.

Svitare le viti A e B e rimuovere il coperchio C.

Dopo aver tarato l'aria e il gas, con il bruciatore in funzione ruotate lentamente in senso orario la ghiera D fino all'arresto di blocco del bruciatore. Leggete il valore indicato sulla ghiera e riducetelo del 15%. Rimontare il coperchio C e riavvitare le viti A e B.

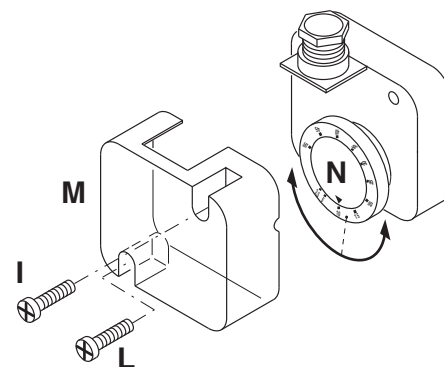


ATTENZIONE: Il pressostato eviterà che la pressione dell'aria non scenda sotto 85% del valore impostato, evitando così che il CO nei fumi superi 1%(10000 ppm).

Regolazione del pressostato gas di minima

Il pressostato gas di minima ha la funzione di controllare la pressione minima del gas prima della valvola gas permettendo al bruciatore di funzionare correttamente.

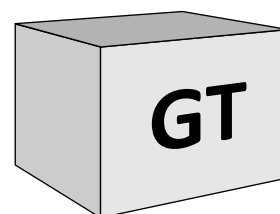
Svitare le viti I e L e togliere il coperchio M. posizionare il regolatore N ad un valore pari al 60% della pressione nominale di alimentazione gas (es.: per gas metano press. nominale =20 mbar; regolatore posizionato al valore 12 mbar; per G.P.L. pressione nominale G30-G31 30/37 mbar regolatore posizionato al valore di 18 mbar). Rimontare il coperchio M.



Regolazione della valvola gas

Regolate le valvole gas in base alle istruzioni del manuale della rampa gas.

N.B. rispettate il valore minimo della temperatura fumi specificato dal costruttore della caldaia per evitare la formazione di condensa.

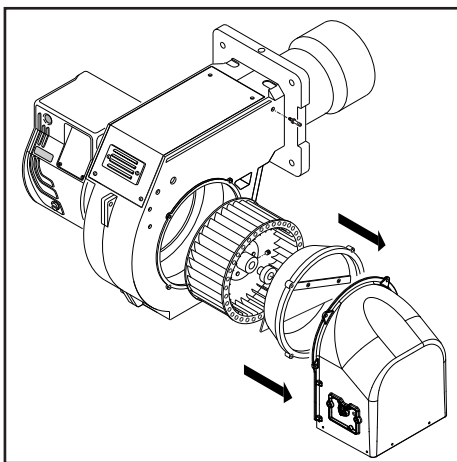


Assistenza - Manutenzione

Gli interventi di assistenza sulla caldaia e sul bruciatore devono essere eseguiti esclusivamente da personale tecnico addestrato nel campo del riscaldamento. Al fine di garantire una regolare esecuzione degli interventi di assistenza, si consiglia al gestore dell'impianto di stipulare un contratto di assistenza.

Attenzione

- Prima degli interventi di manutenzione e pulizia, disinserire la corrente.
- Il bocaglio ed i componenti della testa possono essere caldi.



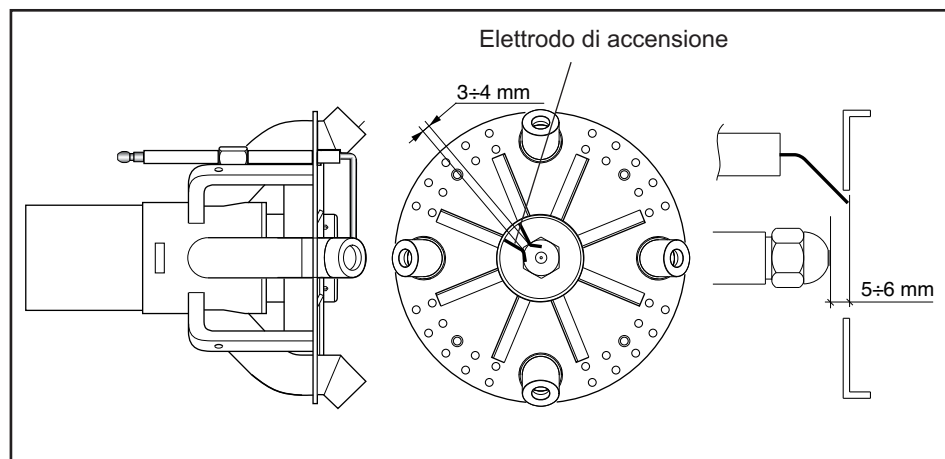
Controllo della temperatura dei fumi di scarico

- Controllare regolarmente la temperatura dei fumi di scarico.
- Pulire la caldaia se la temperatura dei fumi di scarico supera il valore della messa in funzione di oltre 30°C.
- Al fine di semplificare il controllo, installare un display per la visualizzazione della temperatura dei fumi di scarico.

Interventi di manutenzione sul bruciatore

- Controllare i componenti di alimentazione gas (tubazioni, filtri, ecc.) ed i collegamenti per individuare perdite o segni di usura ed eventualmente sostituirli.
- Controllare la presenza di danni su connessioni elettriche e cavi di raccordo ed eventualmente sostituirli.
- Controllare il filtro gas, pulire e, all'occorrenza, sostituzione se necessario.
- Pulire ventola a carter e controllare che non presentino danni.
- Controllare e pulire i dispositivi di miscelazione.
- Controllare gli elettrodi di accensione ed eventualmente regolarli o sostituirli.
- Avviare il bruciatore, controllare i dati

- dei fumi di scarico ed eventualmente correggere le regolazioni del bruciatore.
- Controllare le regolazioni dei pressostati aria e gas.
- Controllare la regolazione della rampa gas.
- Effettuare un controllo del funzionamento.



Assistenza - Possibili inconvenienti

Cause ed eliminazione delle anomalie

In presenza di anomalie, devono essere controllati i presupposti fondamentali per il corretto funzionamento dell'impianto:

1. C'è corrente?
2. C'è tutta la pressione del gas?
3. La valvola di intercettazione del gas è aperta?
4. Tutti gli apparecchi di regolazione e sicurezza come il termostato caldaia, il

dispositivo di sicurezza in caso di carenza d'acqua, il fincorsa, ecc., sono impostati?

Nel caso in cui, dopo il controllo dei punti suddetti, l'anomalia persistesse, usare le seguente tabella.

I componenti di sicurezza non devono essere riparati, bensì devono essere sostituiti con componenti riportanti lo stesso codice articolo.

Utilizzare esclusivamente pezzi originali del costruttore.

NB: Dopo ogni intervento controllare:

- i valori di combustione in condizioni di esercizio (porta del locale caldaia chiusa, copertura montata, ecc.).
- registrare i valori di combustione nel libretto di centrale.

Manutenzione

Controllo annuale

Il controllo periodico del bruciatore (testa di combustione, elettrodi, ecc.) deve essere effettuato da personale autorizzato una o due volte all'anno a secondo dell'utilizzo. Prima di procedere al controllo per la manutenzione del bruciatore è consigliabile verificare lo stato generale del bruciatore e seguire le seguenti operazioni:

- Togliere tensione al bruciatore (togliere la spina).
- Chiudere il rubinetto di intercettazione gas/olio.
- Togliere il coperchio del bruciatore, pulire la ventola e l'aspirazione dell'aria.
- Pulire la testa di combustione e controllare la posizione degli elettrodi.
- Rimontare i pezzi.
- Aprire il rubinetto di intercettazione gas/olio.
- Verificare la tenuta dei raccordi gas.
- Verificare il camino.
- Far ripartire il bruciatore.
- Controllare i parametri della combustione.

Prima di ogni intervento controllare:

- Che ci sia corrente elettrica nell'impianto e il bruciatore collegato.
- Che la pressione del gas sia corretta e il rubinetto di intercettazione del gas/olio sia aperto.
- Che i sistemi di controllo siano regolarmente collegati. Se tutte queste condizioni sono soddisfatte, far partire il bruciatore premendo il pulsante di sblocco.
- Controllare il ciclo del bruciatore.

Il bruciatore non si avvia:

- Controllare l'interruttore, i termostati, il motore, pressione gas.

Il bruciatore effettua la preventilazione ed al termine del ciclo va in blocco:

- Controllare la pressione dell'aria e la ventola.
- Controllare il pressostato aria.
- Controllare gli ugelli (intasati o usurati).
- Controlla i filtri (intasati).
- Pressione dell'olio troppo bassa.
- Portata d'aria troppo alta per la portata dell'ugello.

bruciatore effettua la preventilazione e non accende:

- Verificare il montaggio e la posizione degli elettrodi.
- Verificare il cavo di accensione.
- Verificare il trasformatore di accensione.
- Verificare l'apparecchiatura di sicurezza.

Il bruciatore si accende e dopo il tempo di sicurezza va in blocco:

- Controllare fase e neutro che siano collegati correttamente.
- Controllare l'elettrovalvole del gas.
- Controllare la posizione e la connessione della fotocellula UV.
- Controllare fotocellula UV.
- Controllare l'apparecchiatura di sicurezza.
- Controllare gli ugelli (intasati o usurati).
- Controlla i filtri (intasati).
- Pressione dell'olio troppo bassa.
- Portata d'aria troppo alta per la portata dell'ugello.

Il bruciatore si accende e dopo qualche minuto di funzionamento va in blocco:

- Controllare il regolatore di pressione ed il filtro gas.
- Controllare la pressione del gas con un manometro.
- Controllare il valore di rivelazione.

Содержание общего характера - Содержание - Предупреждения общего характера Сертификат соответствия

Обзор	Технические характеристики	3
	Рабочий диапазон	4
	Размеры	5
Содержание общего характера	Содержание - Предупреждения общего характера	38
	Сертификат соответствия	38
	Описание горелки	39
Функция	Общие функции безопасности	40
	Функция - панель управления	41
	Насос горелки	42
	Линия питания горючего	43
	Диаграмма форсунок Fluidics	44
Установка	Установка горелки	45
	Пилотный газовый клапан	46
	Электрическое соединение	47
	Необходимые проверки перед пуском в эксплуатацию	47
Пуск	стороны жидкого топлива	48-49
	стороны газа	50-51
Техническое обслуживание	Работы по техническому обслуживанию	52
	Возможные неполадки	53
Обзор	Диарамма перепада давления газов	54-57
	Электрические схемы	58-59
	Запчасти	60-62

Основные указания

Горелки MULTICALOR спроектированы для сжигания природного газа и жидкого топлива с низким выбросом в атмосферу загрязняющих веществ. Горелки соответствуют норме EN 676 и EN267 с точки зрения дизайна и функционирования. Монтаж, пуск в эксплуатацию и техническое обслуживание должны производиться только квалифицированными техническими специалистами с соблюдением всех действующих директив и предписаний.

Описание горелки

Горелки MULTICALOR являются моноблочными двухступенчатый приборами, работающими в полностью автоматическом режиме. Специальная конструкция головки сгорания позволяет достичь сгорания с низким уровнем окислов азота и высоким коэффициентом полезного действия. Величины выбросов соответствуют классу 2, как определено нормой EN676 (NOx<120 мг/кВтч). В зависимости от геометрических параметров топочной камеры, нагрузки котла и системы сгорания (трехконтурный котел, котел с замкнутой топочной камерой) значения выделения загрязняющих веществ могут быть различными. Они пригодны для оборудования всех теплогенераторов, соответствующих

стандарту EN 303, или нагнетательных генераторов теплого воздуха, соответствующих стандартам DIN 4794 или DIN 30697, в их мощностном диапазоне. Для любого другого использования требуется разрешение компании Ecoflam. В целях обеспечения безопасного, экологически чистого функционирования, низкого потребления энергии, необходимо соблюдать следующие правила:

EN 267

Горелки с наддувом автоматические для жидкого топлива.

EN 676

Вентиляторные газовые горелки (с наддувом)

EN 226

Подключение наддувных жидкотопливных или газовых горелок к теплогенератору.

EN 60335-1, -2-102

Безопасность электроприборов домашнего пользования, особые нормы для аппаратов сгорания на газе.

Условия установки

Горелка не должна эксплуатироваться в помещениях с агрессивной средой (например, с распыляемыми веществами, тетрахлорэтилен, тетрахлорметан), сильно запыленным воздухом или с высокой влажностью (например, в прачечных). Достаточная вентиляция должна быть

Сертификат соответствия комбинированных горелок

Мы, компания

Ecoflam Bruciatori S.p.A.

заявляем под свою ответственность, что горелки на комбинированных.

MULTICALOR

соответствуют требованиям следующих стандартов:

EN 267

EN 676

EN 55014-1

EN 60335-1

EN 61000-6-2

EN 50156-1

EN 55014-2

EN 60335-2-102

EN 61000-6-3

Эти изделия маркируются знаком CE в соответствии с директивами:

2014/35/UE Low Voltage Directive
2014/30/UE EMC Directive
2009/142/CEE Gas appliance directive
2006/42/EC Machine directive
2011/65/EU RoHS2 directive

February, 2016 / Mr. Ruben Cattaneo
R&D manager



предусмотрена в помещении, где установлена горелка, так, чтобы обеспечить условия для хорошего сгорания. Местное законодательство может содержать дополнительные требования.

Гарантия не распространяется на возмещение ущерба, вызванного следующими причинами:

- ненадлежащее использование
- неправильная установка, установка, выполненная покупателем или третьими лицами, использование неоригинальных элементов.

Передача установки пользователю и рекомендации по эксплуатации

Установщик обязан не позднее момента передачи установки пользователю передать ему инструкции по эксплуатации и техническому обслуживанию установки. Они должны храниться в котельной на видном месте. В них должен быть указан номер телефона и адрес ближайшего центра технического обслуживания.

Рекомендации пользователю

Не менее одного раза в год оборудование должно проверяться квалифицированным специалистом. Для обеспечения регулярных проверок рекомендуется заключить договор на проведение технического обслуживания.

Горелки производства Ecoflam были разработаны и изготовлены в соответствии с действующими нормативами и директивами. Все горелки соответствуют стандартам безопасности и энергосбережения в пределах заявленного рабочего поля. Качество продукции гарантировано системой сертификации в соответствии с нормой ISO 9001:2008

Содержание общего характера - Описание горелки

MULTICALOR 170.1 PRE TC

НАЗВАНИЕ

MULTICALOR Комбинированная (газ/ Дизтопливо)

Типоразмер (газ: кВт; Топливо: кг/ч)

MULTICALOR 170.1 150 kg/h - 1770 kW

ВЫБРОСЫ

- Стандарт Класс 2 GAS EN676 (≤ 120 мг/кВтч)

Тип операции

PAB 2 этапы

PR 2 этапы стадию механического

PRE 2 этапы прогрессивной электронной

Головка типа

TC КОРОТКАЯ ОГНЕВАЯ ГОЛОВКА

TL ДЛИННАЯ ОГНЕВАЯ ГОЛОВКА

Топливо

Природный газ

LPG Сжиженный газ

BIOGAS BIOGAS Биогаз

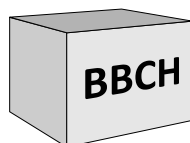
Упаковка

Горелка поставляется с модульной системой упаковки (отдельные коробки) отдельные комплекты/боксы:
BBCH: Горелка в комплекте с головкой сгорания и фланцем.

- 1 пакет : - многоязычное техническое руководство.
 - винты, гайки и шайбы.

GT: Отдельная газовая рампа.

KIT & ACS заказываемые и поставляемые отдельно



KIT & ACS заказываемые и поставляемые отдельно



Функция - Общие функции безопасности

Описание работы

При первой подаче напряжения, после отключения напряжения или перевода в режим безопасности, после отключения газа или после остановки на 24 часа, начинается время предварительной вентиляции 30 сек.

В течение предварительной вентиляции:

- давление воздуха находится под контролем.
- контроль присутствия возможных аномальных указаний пламени.

После истечения периода предварительной вентиляции

- запускается розжиг.
- главный и предохранительный электромагнитные клапаны открыты.
- пуск горелки.

Контроль

Пламя контролировалась УФ-фотоэлементом. Горелка переходит в состояние ошибки, если не фотоэлемент обнаруживает свет пламени.

Режим безопасности

- Если при запуске горелки (пуск газа) не образовалось никакого пламени, то по истечении времени безопасности 3 секунды макс., газовый клапан закрывается.

- В случае исчезновения пламени во время работы подача газа прекращается не позже, чем через секунду. Включается новый цикл запуска. Если горелка запускается, рабочий цикл продолжается. В противном случае происходит переход в режим безопасности.

- В случае нехватки воздуха при предварительной вентиляции или во время работы происходит переход в режим безопасности.

- В случае нехватки газа горелка не включается и/или останавливается.

Остановка регулировки

- Реле регулятора температуры прерывает запрос на нагрев.

- Газовые клапаны закрываются.
- Пламя гаснет.
- Электродвигатель вентилятора останавливается.
- Горелка готова к работе.

Режим эксплуатации

После образования пламени регулятор мощности переводит горелку в рабочий режим. С этого момента регулятор мощности автоматически управляет горелкой между частичной и полной нагрузками. В зависимости от тепловой нагрузки электрический сервопривод механической комбинированной системы управления получает через регулятор команду ОТКР. или ЗАКР. и, соответственно, увеличивает или уменьшает расход жидкого топлива (газа) и воздуха.

Эта комбинированная система управления изменяет положения топливного клапана и воздушной заслонки и тем самым регулирует расход жидкого топлива (газа) и расход воздуха. Горелка может управляться в 2-ступенчатом скользящем режиме или, при наличии соответствующего регулятора, в плавном режиме. При плавном управлении горелка будет работать с любой требуемой нагрузкой между положениями частичной и полной нагрузки. Отключение горелки осуществляется из положения частичной нагрузки. Воздушная заслонка при остановке горелки закрывается и препятствует прохождению холодного воздуха через корпус горелки, теплообменник и дымоход. Потери по причине внутреннего охлаждения сводятся к минимуму.

Контроль герметичности клапанов для горелок в исполнении PRE

Соответствующая функция активирована только в горелках PRE. Перед вводом горелки в эксплуатацию необходимо убедиться, что данная функция контроля находится в состоянии "АКТИВИРОВАНА" (см. меню в разделе 5 "Operating Control and

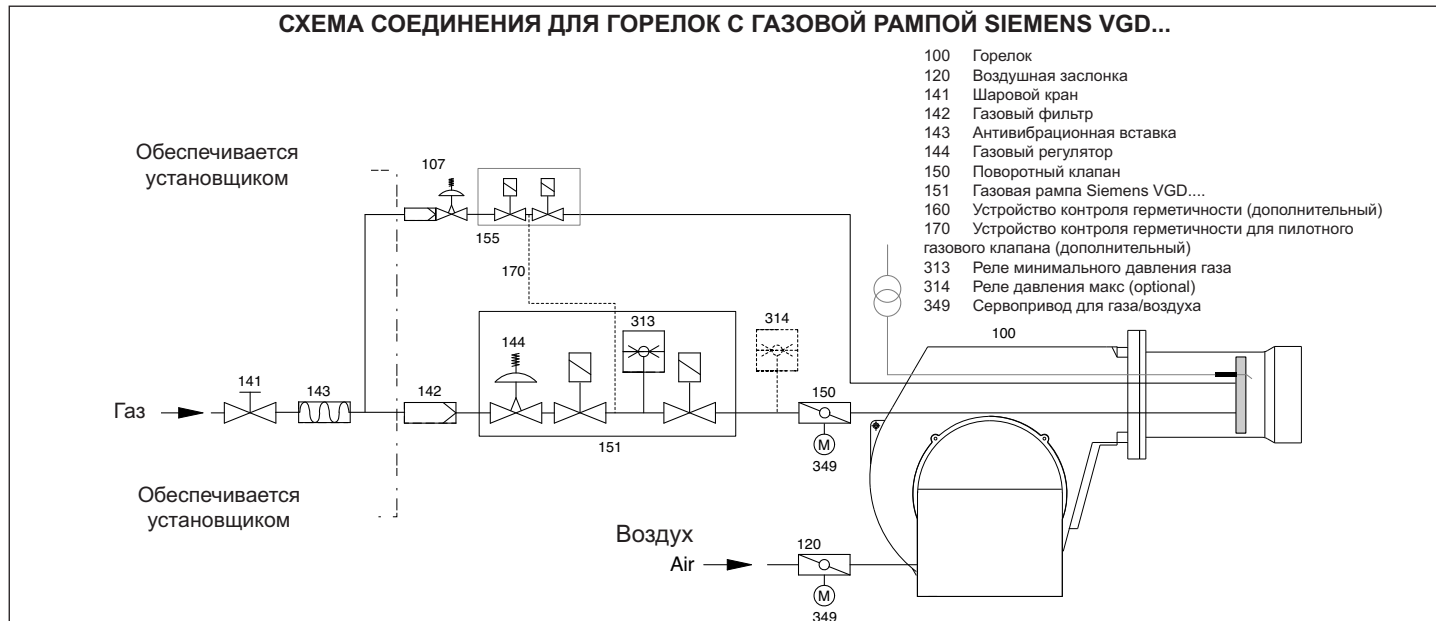
Displays" страница 64, Рис.5-32").

Если контроль герметичности клапанов не является обязательным, а в меню отображается «НЕ АКТИВИРОВАНА», конструкцию газовой рампы необходимо изменить с установкой реле минимального давления газа F4 перед первым газовым клапаном, то есть перед устройством Y12 (главный клапан 1). Принцип работы:

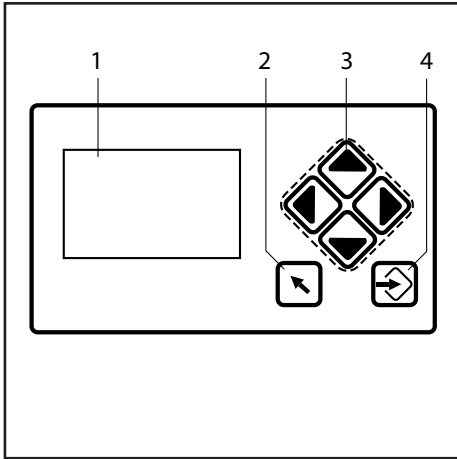
В ходе контроля герметичности проверяется отсутствие утечек через главные газовые клапаны. С целью проверки используется давление подачи газа. Поскольку в случае выключения горелки участок контроля герметичности (между двумя основными клапанами) опорожняется, обычно на данном участке в процессе запуска давление будет отсутствовать (реле минимального давления газа будет находиться в положении «0»).

Проверка выполняется с использованием аппаратуры ВТ. Далее на короткое время открывается главный клапан 1, и газ поступает на участок контроля (реле минимального давления газа переключается из положения «0» в положение «1»). Пока главный клапан 1 открыт, давление газа должно присутствовать. В противном случае аппаратура ВТ обнаружит отсутствие давления газа. Значение давления газа должно оставаться постоянным по крайней мере в течение всего периода контроля герметичности (2 секунды + P 311). После этого контроль герметичности считается завершенным. Если на участке, где выполняется контроль герметичности при запуске, будет присутствовать газ (например, после срабатывания защитной блокировки), сначала откроется главный клапан 2, вследствие чего с участка контроля герметичности газ будет удален. Во время выполнения контроля герметичности участок контроля остается не под давлением. После этого процесс продолжается в соответствии с приведенным выше описанием.

СХЕМА СОЕДИНЕНИЯ ДЛЯ ГОРЕЛОК С ГАЗОВОЙ РАМПОЙ SIEMENS VGD...



Функция - Display UI300



- 1 Дисплей
- 2 Кнопка возврата
- 3 Кнопки управления курсором
- 4 Кнопка ввода

Дисплей
Дисплей помогает управлять процессом с помощью меню с пиктограммами; на нем отображаются:

- Структура меню
- Рабочие состояния
- Параметры
- Сообщения об ошибках



Переход к предыдущему окну.



С помощью кнопок управления курсором можно перемещаться по меню. С помощью кнопок с правой и левой стрелкой можно последовательно перемещаться к выбранной строке. В конце выбранной строки курсор переходит на нижнюю строку, если таковая имеется. В случае меню с несколькими строками, при нажатии кнопки можно перейти на верхние или нижние строки. В экранах параметров можно переключаться с одного поля на другое.

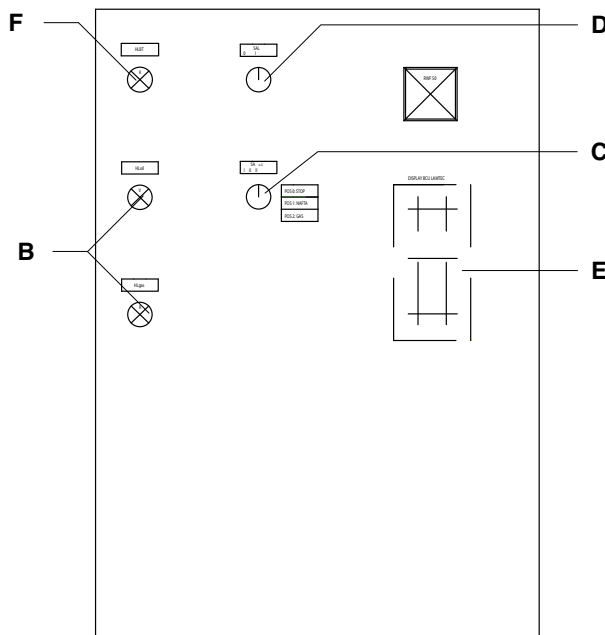


С помощью кнопки ввода можно вызвать меню в экране запуска. В одном окне меню можно открыть выбранное подменю. В окне параметров, благодаря кнопке ввода, можно передавать введенные величины. Если кнопка ВВОДА горит красным светом, можно выполнить разблокировку неполадок ВТ300. Если кнопка ввода непрерывно горит красным светом, значит имеется сбой с автоматическим перезапуском.



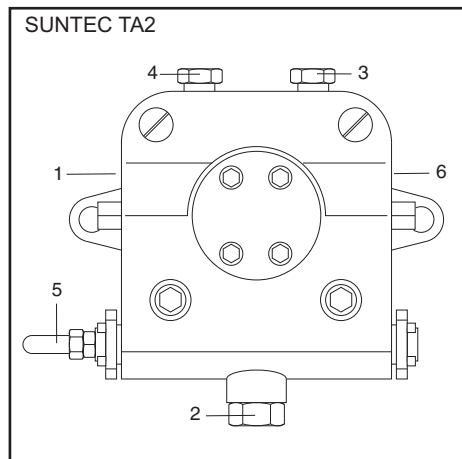
Перед тем как осуществить монтаж или демонтаж блока отключите устройство от электропитания. Открывать блок или производить ремонтные работы запрещено!

Функция - панель управления



- F** - индикатор температурной блокировки
- B** - индикатор рабочего режима
- C** - Переключатель режимов :
ОСТАНОВКА
работа на дизтопливе
работа на газе
- D** - выключатель
- E** - display

Функция - Насос горелки



- 1 Всасывающий штуцер.
- 2 Нагнетательный штуцер.
- 3 Точка подключения манометра (давление топлива).
- 4 Точка подключения манометра (разрежение).
- 5 Регулирование давления дизельного топлива.
- 6 Штуцер давления.

Насос, используемый в горелке мазут – это насос шестерённый самовсасывающий насос, который должен быть соединён с однотрубной системой; в систему труб аспирации вставить фильтр.

В насос встроены фильтр аспирации и регулятор давления мазут.

Перед вводом в эксплуатацию аппарата подключить манометры для измерения давления и разрежения.

Примечание: Перед запуском горелки проверить, чтобы обратный клапан был открыт. Любое препятствие может вызвать повреждения прокладки насоса.

TECHNICAL DATA

Общие сведения

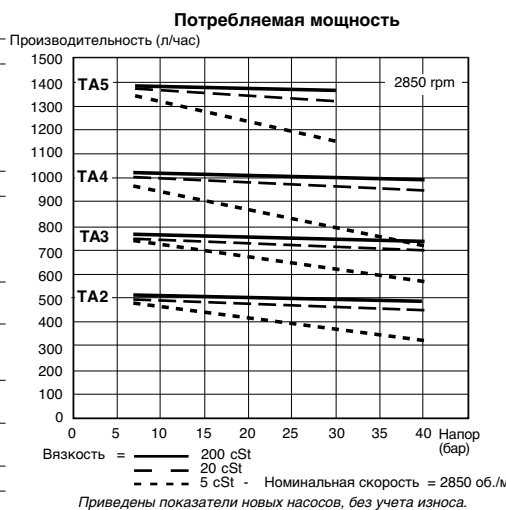
Вид крепления	Фланцевое
Резьба соединений	Цилиндрическая, согл. ISO228/1
Входной и обратный т/провод	G 1/2"
Т/провод к форсунке	G 1/2"
Гнездо манометра	G 1/4"
Гнездо вакуумметра	G 1/4"
Вал	Ø 12 mm
Байпасная пробка	устанавливается в гнездо вакуумметра В 2х-трубной системе; В 1-трубной системе: демонтировать 6-гранным ключом разм. 3/16"
Вес	5,4 кг (TA2) - 5,7 кг (TA3) 6 кг (TA4) - 6,4 кг (TA5)

Гидравлические характеристики

Диапазон давления в форсунке	30 : 7 - 30 бар 40 : 7 - 40 бар
Заводская регулировка давления	30 бар
Рабочая вязкость	4 - 450 cSt
Температура дизтоплива	0 - 140°C max. in the pump
Давление на входе	Дизтопливо: разрежение не более 0,45 бар во избежание отделения воздуха Мазут: не более 5 бар.
Давление в обратн. т/п	Дизтопливо: не более 5 бар Мазут: не более 5 бар
Номинальная скорость двигателя	не более 3600 об./мин
Крутящий момент	0,3 N.m

ТЭН

Кожух	Ø 12 mm
Крепление	согласно DIN 40430, NFC 68190 (N°9 elec.)
Номинальная мощность	80-100 W



ИДЕНТИФИКАЦИЯ НАСОСА

(Не все возможные конфигурации насосов имеются в наличии. За консультацией обращайтесь к местному представителю компании Suntec).

ТА: Регулировка давления

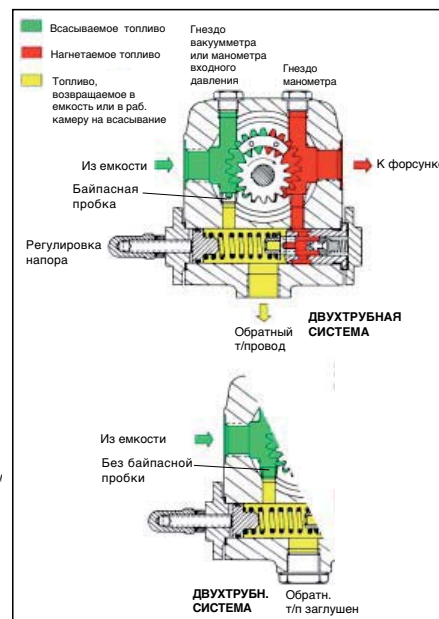
Мощность шестерен (см. характеристику насоса)

Направление вращения вала (с торца вала)
A: по час. стрелке
C: против. час. стрелкиrotation

Напор: _____
30 : 7 - 30 бар
40 : 7 - 40 бар:

Место для ТЭНа _____

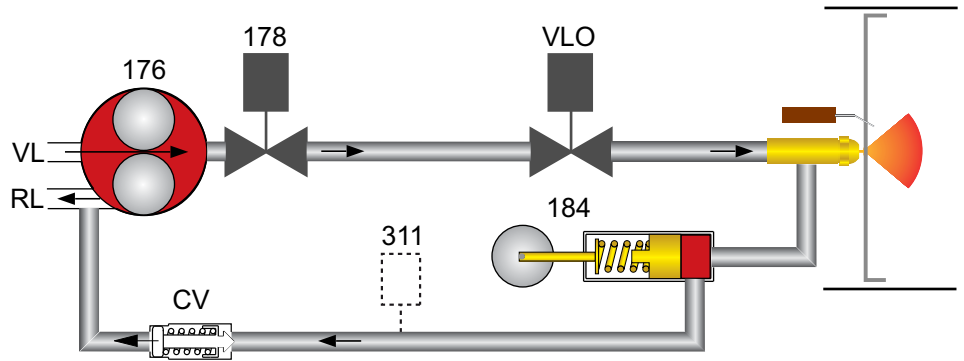
Номер модификации _____



Функция - Линия питания горючего

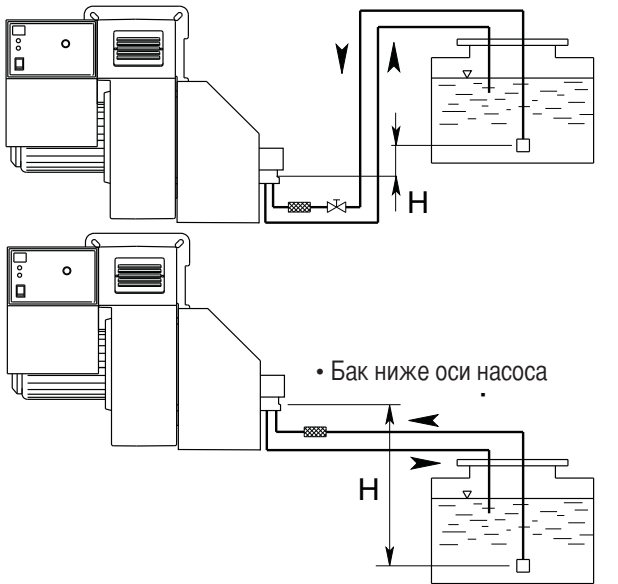
ГИДРАВЛИЧЕСКИЙ КОНТУР ПОДАЧА ДИЗТОПЛИВА

- 176: жидкотопливный насос
- 178: электромагнитный клапан
- 184: регулирующий клапан на выходе.
- 311: реле давления жидкого топлива в обратной линии.
- CV: проверочный клапан
- RL: обратная линия
- VL: линия всасывания
- VLO: рабочий жидкотопливный клапан.



ДЛИНА ТРУБОПРОВОДОВ ЛИНИИ ПОДАЧИ

- Бак выше оси насоса



Горелка оборудована самозаполняющимся насосом, который может автоматически питаться если трубы соответствуют значениям, указанным в таблице сбоку.

H (m)	Длина топливопровода (m)				
	J7		TA2		
	ø 14 mm	ø 16 mm	ø 14 mm	ø 16 mm	ø 20 mm
3,5	31	55	--	--	--
3	29	52	35	80	150
2,5	--	--	30	72	150
2	25	44	27	65	150
1,5	--	--	24	61	150
1	20	37	20	57	150
0,5	18	33	17	50	150
0	16	29	14	42	140
-0,5	14	26	10	38	130
-1	12	22	--	35	125
-1,5	--	--	--	25	100
-2	7	14	--	15	75
-2,5	--	--	--	--	60
-3	3	7	--	--	40
-3,5	1	4	--	--	--
-4	--	--	--	--	--

ПРЕДУПРЕЖДЕНИЕ: Длина топливопровода равняется сумме длин всех прямолинейных отрезков, горизонтальных и вертикальных, и поворотов. Статическая высота всасывания (не более 3,5 м) равняется расстоянию между донным клапаном и осью насоса горелки. Разрежение не должно превышать 0,45 бар; превышение данной величины может повлечь за собой повышенный износ насоса, повышенный уровень шума и, в конечном итоге, выход из строя насоса. Все контуры жидкого топлива должны соответствовать правилам безопасности, действующим на месте в стране установки.

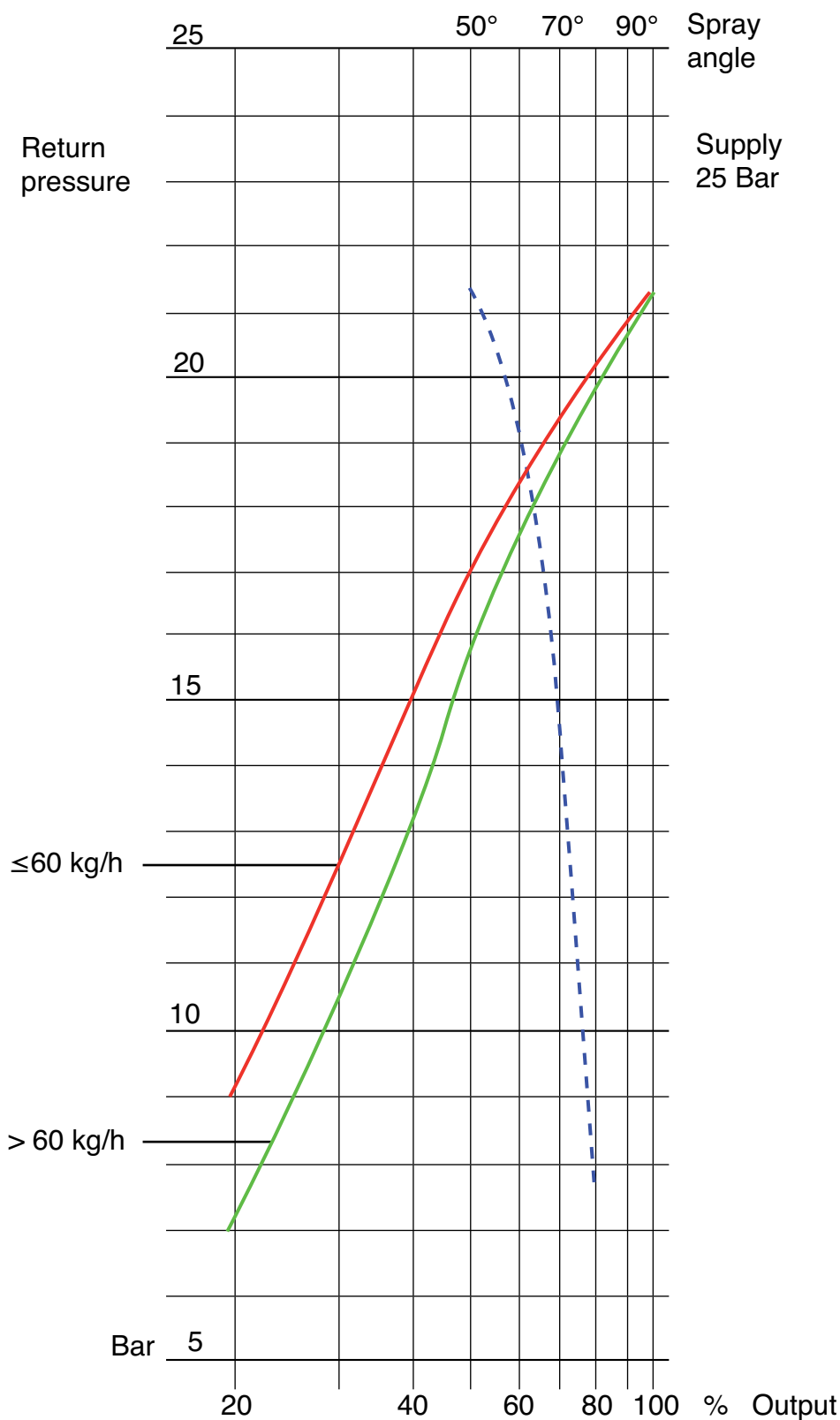
Функция - Диаграмма форсунок Fluidics



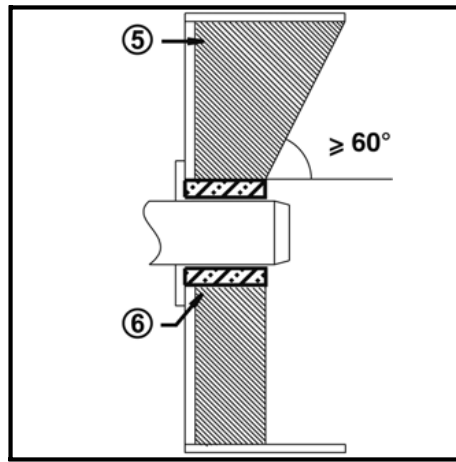
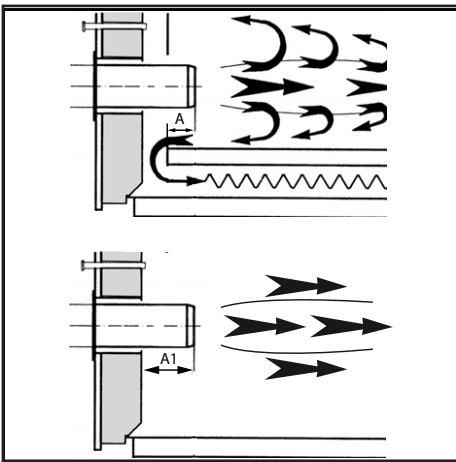
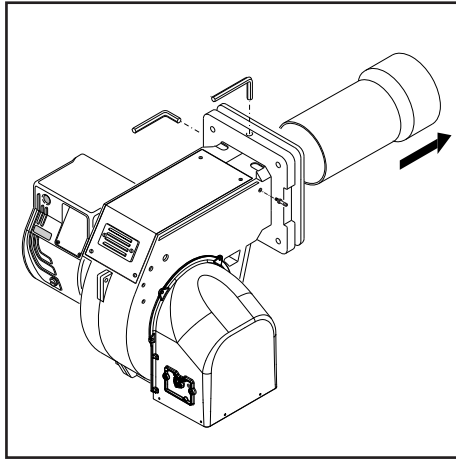
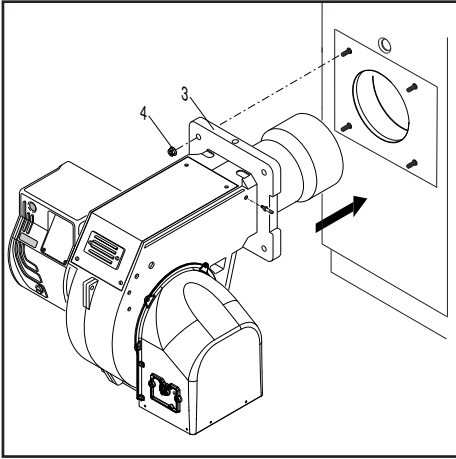
ОБРАТНАЯ ФОРСУНКА

Форсунка типа Fluidics W является форсункой обвода со встроенной пружинной отсечной иглой. Пропускная способность регулируется путем изменения давления возврата, придерживая давление подачи на постоянном уровне.

Перед запуском горелки проверьте, что размер форсунки подходит для требуемой производительности. Может возникнуть необходимость в замене форсунки (смотри схему выбора форсунки).



Установка - Установка горелки



Линия газоснабжения

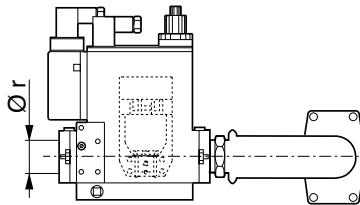
При установке линии газоснабжения и газовой рампы необходимо соблюдать предписания нормы EN676. Дополнительные принадлежности должны быть установлены установщиком для соблюдения любых местных норм.

Монтажная организация несет ответственность за установку дополнительных опор для исключения избыточной нагрузки на корпус горелки от собственной массы полного газового блока, дополнительных комплектующих, трубопроводов и т. д..

Корпус горелки рассчитан только на массу газового вентиля и трубопровода между вентилем и корпусом.

Предписания общего порядка для подключения газа

- Подключение газовой рампы к сетевому газу должно исключительно выполняться уполномоченным квалифицированным специалистом.
- Сечение газовых труб должно быть подготовлено таким образом, чтобы давление питания газа не могло опуститься ниже предписанного значения.
- Клапан ручной остановки (не поставляется) должен быть установлен в верхней части газовой рампы.

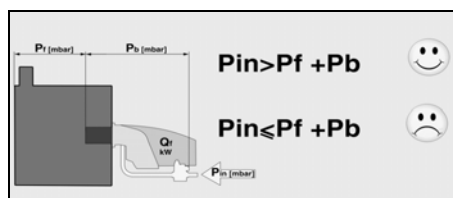


Oil connection

The filter must be located in such a way that the correct hose routing cannot be impaired. The hoses must not kink.

УСЛОВНЫЕ ОБОЗНАЧЕНИЯ

- Pf: Противодавление в топке.
- Pb: Газовое давление горелки (головка сгорания + газовая рампка).
- Pin: Минимальное давление питания.



Монтаж горелки

Горелка крепится к котлу.

Монтаж:

- Закрепить фланец креплением 3 к котлу винтами 4.

Демонтаж:

- Ослабьте винты и снимите горелку.

Глубина установки сопла горелки и огнеупорное уплотнение

Для котлов без охлаждения передней стенки и при отсутствии других указаний со стороны производителя котла, необходимо выполнить огнеупорную вставку или теплоизоляцию (5), как показано на рисунке слева. Огнеупорная вставка не должна заходить за передний край сопла горелки, а угол ее конического окончания не должен превышать 60°. Воздушный промежуток (6) должен быть заполнен эластичным и невоспламеняемым теплоизоляционным материалом.

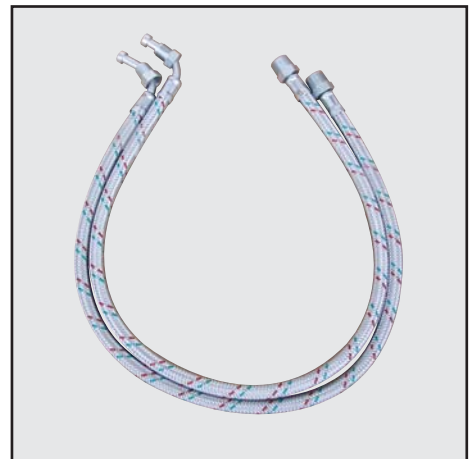
Для котлов при выборе глубины сопла горелки необходимо руководствоваться указаниями производителя котла.

Колонки с обратным пламенем :
A = 50-100 mm.

Колонки с тройной дымовой спиралью :
A1 = 50-100 mm.

Система отвода продуктов горения

Для предотвращения неприятного шума не рекомендуется применять для соединения котла с дымоходом соединительные детали с проходным каналом, изогнутым под прямым углом.



Установка - Пилотный газовый клапан

ПОДКЛЮЧЕНИЕ ЗАПАЛЬНОЙ ГАЗОВОЙ РАМПЫ

Запальная газовая рампа уже установлена на горелке и должна быть подключена к главной трубе подачи газа, желательно используя гибкий шланг. Запальная газовая рампа состоит из 2 предохранительных клапанов, 1 газового регулятора и фильтра. Макс. давление на входе - 1 бар.

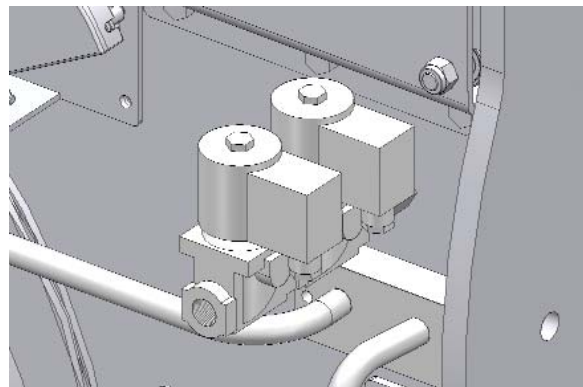
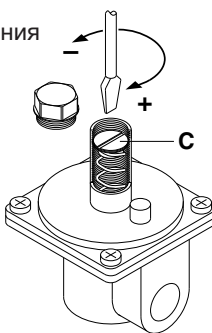
ПРЕДУПРЕЖДЕНИЕ: Запальная газовая рампа должна подключаться в соответствии с чертежом газопровода.

РЕГУЛИРОВКА ГАЗОВЫХ КЛАПАНОВ

Примечание : Управляющие клапаны имеют предварительную заводскую регулировку. Для увеличения или уменьшения потока газа используйте газовый регулятор.

НАСТРОЙКА РЕГУЛЯТОР ДАВЛЕНИЯ

Регулятор давления со встроенным фильтром должен устанавливаться таким образом, чтобы обеспечивать стабилизацию давления газа на выходе и исключать попадание примесей в газовый клапан. Чтобы увеличить давление газа, снимите крышку стабилизатора и закрутите винт С. Чтобы понизить давление, отвинтите винт С и оденьте крышку. Примечание: давление газа на входе не должно быть выше указанного максимального давления газа.



KITPRES... Реле давления макс

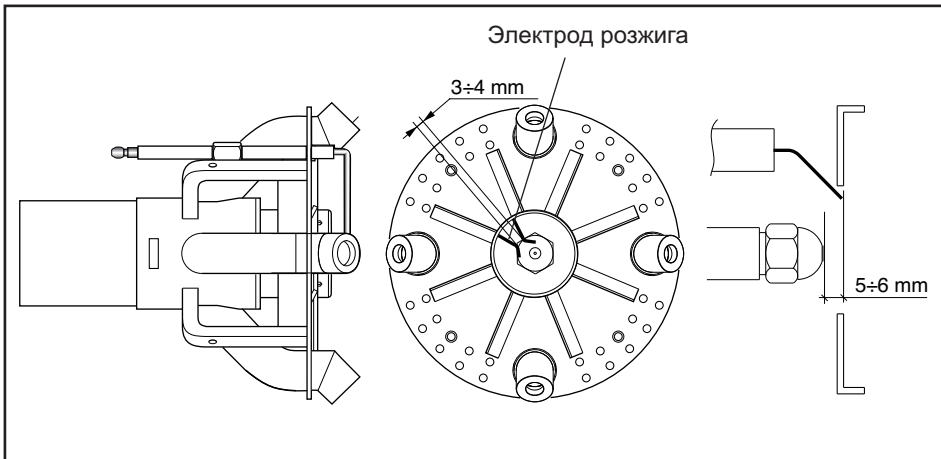
Реле давления макс предоставляется как набор инструментов и должен быть собран в основную газовую рампу согласно инструкции отдельного руководства газовой рампы.

KITMD-регулятор RWF50 PID

Вся прогрессивная горелка может быть переключены к регулятору с установкой регулятора PID, которая регулирует мощность в сочетании с датчиком.

Регулятор	Реле давления макс
KITMD-RWF50	KITPRES50
Датчик-...	KITPRES150

Установка - Подключение к электросети - Необходимые проверки перед пуском в эксплуатацию



Электроподключение

Электропроводка и все работы по подключению к сети должны выполняться только квалифицированным электриком. Должны выполняться действующие предписания и директивы. Установка электропитания должна быть оснащена дифференциальным выключателем типа А.

Строго соблюдать действующие предписания и директивы, помимо электросхемы, поставляемой с горелкой!

- Проверить, чтобы прибор был подсоединен к исправной системе заземления.
- Проверить, чтобы провод заземления сетевого кабеля был на пару см длиннее других проводов.
- Убедитесь, что напряжение электропитания соответствует указанному рабочему напряжению в электросхеме и табличке с данными.
- Защита горелки : 5 А

Подключение разъемами

Горелка должна быть изолирована от сети с помощью всеполюсного размыкателя, соответствующего действующим стандартам. Горелка и теплогенератор (котел) подключены к клеммной колодке кабинета.

Подключение газовой рампы

Выполните подключение газовой рампы при помощи розеток, установленных на горелке.

Горелки производятся с соединениями, предназначенными для трехфазного электропитания 380-400В.

Горелки с электродвигателями мощностью 3 кВт или менее могут быть адаптированы под 220-230В (пожалуйста, следуйте инструкции на обратной стороне); электродвигатели большей мощности могут работать только при трехфазном электропитании 380-400В. Если требуемое исполнение горелки отличается от вышеупомянутого стандарта, рекомендуется сделать отдельное примечание при заказе.

Инструкция: как адаптировать

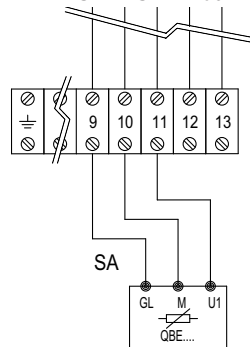
электродвигатели мощностью 3 кВт или менее под электропитание 220-230В

Напряжение горелки можно изменить путем следующих действий:
1. Изменить соединение внутри клеммной коробки двигателя со "звезды" на соединение треугольником (см. рисунок 3);
2. Изменить настройку термореле в соответствии со значениями, указанными на шильдике двигателя. Если необходимо, замените термореле другим, с подходящей шкалой. Вышеуказанные действия невозможны для электродвигателей мощностью выше 3 кВт. Для более подробной информации, пожалуйста, свяжитесь с Ecoflam.

СОЕДИНЕНИЕ ДАТЧИКОВ

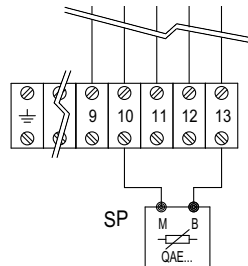
СОЕДИНЕНИЕ АКТИВНЫХ ДАТЧИКОВ

(ДЛЯ ВЕРСИИ С РЕГУЛЯТОРОМ)



СОЕДИНЕНИЕ ПАСИВНЫХ ДАТЧИКОВ

(ДЛЯ ВЕРСИИ С РЕГУЛЯТОРОМ)



Положение электродов

Обязательно проверьте положение электродов после их замены или установки комплекта KIT GPL. Неправильное положение электродов может затруднить розжиг горелки или выявление.

Проверки перед пуском в эксплуатацию

Перед первым запуском следует проверить следующее:

- Убедитесь, что горелка установлена согласно настоящей инструкции.
- Предварительная регулировка горелки выполнена правильно, согласно указанным в таблице регулировок значениям.
- Настройка органов горения
- Теплогенератор должен быть готов к работе согласно инструкции по его использованию.
- Все электрические соединения выполнены правильно.
- Теплогенератор и система отопления заполнены достаточным количеством воды. Циркуляционные насосы действуют.
- Регуляторы температуры и давления, устройство защиты от недостатка воды, а также другие предохранительные и защитные устройства, используемые на установке, правильно подсоединены и действуют.
- Вытяжная труба должна быть прочищена. Устройство для подачи дополнительного воздуха, если оно установлено, в рабочем состоянии.
- Гарантирована подача свежего воздуха.
- Получен запрос на тепло.
- Должно быть доступным достаточное давление газа.
- Топливопроводы установлены согласно техническим нормам, прочищены и проверена их герметичность.
- Согласно существующим нормам на вытяжной трубе должна находиться точка измерения. До этого места труба должна быть герметичной для того, чтобы подсос наружного воздуха не повлиял на результаты измерений.

СОКРАЩЕНИЯ

SA: активный датчик
SP: пассивный датчик

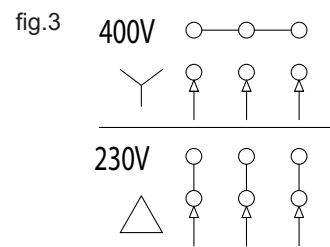
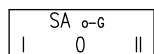


fig.3

Пуск со стороны жидкого топлива

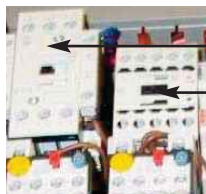
Продолжайте запуск. На переключателе выберите минимальную мощность.



0=STOP
1=OIL
2=GAS



KMP - KMV контактор: проверьте направление вращения привода насоса жидкого топлива и привода вентилятора, нажимайте и не отпускайте KMP до заполнения контура жидкого топлива. Если неверно, то поменяйте две фазы электропитания.



KMV

KMP

Запустить горелку

Контрольная аппаратура запускает цикл предварительной продувки, привод вентилятора и привод топлива и переводит клапан отбора воздуха в полное открытое положение. В конце предварительной продувки, контрольная аппаратура запускает сервопривод и положение поджига и запускает трансформатор. Через несколько секунд контрольная аппаратура открывает клапан жидкого топлива и зажигает пламя. После стабилизации пламени контрольная аппаратура переводит сервопривод в режим тихого пламени. При неисправном поджоге, контрольная аппаратура переводит горелку и безопасное положение, в этом случае, необходимо заново запустить горелку. Постепенно увеличивайте мощность горелки с тихого до сильного пламени и настройте кривую сервопривода топлива для получения стабильного пламени. См. руководство по использованию блока управления LAMTEC.

Регулировка максимального расхода жидкого топлива

Переведите переключатель в положение работы на максимальной мощности. Отрегулируйте давление жидкого топлива, сняв показание с манометра или датчика давления возврата, используя таблицы с характеристиками форсунок, приведенные в приложении. Регулировка расхода мазут достигается за счет настройки параметров блока управления LAMTEC. См. руководство по использованию блока управления LAMTEC.

ПРИМЕЧАНИЕ: давление насоса настроено на заводе на требуемое для форсунок значение согласно таблице выбора форсунок, приведенной в приложении. Если требуемая мощность отличается от настроенной на заводе, то давление можно отрегулировать, выполняя приведенные ниже инструкции.

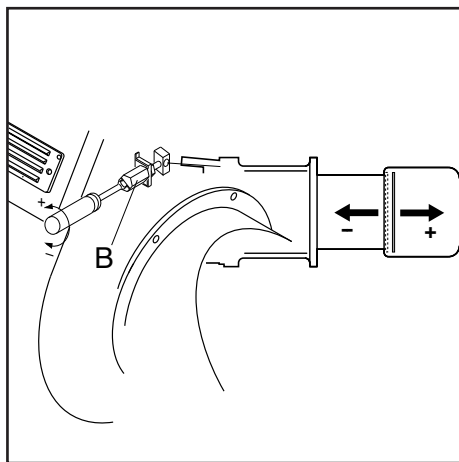
Регулировка максимального потока воздуха

Регулировка расхода воздуха и мазут достигается за счет настройки парамет-

ров блока управления LAMTEC. См. руководство по использованию блока управления LAMTEC.

Регулировка огневой головки

Огневая головка предварительно отрегулирована при 50% от изготовителя. Полная открытая настройка дает возможность для достижения полной мощности горелки и полного закрытого положения для достижения минимальной мощности горелки. Оптимальное положение зависит от мощности, которое вы хотите достигнуть, но настройка по умолчанию может быть изменено только если вам не удалось достигнуть рекомендуемого значения сжигания регулировкой высокого пламени.



Сервопривод LAMTEC

Регулировка расхода воздуха достигается за счет настройки параметров блока управления LAMTEC. См. руководство по использованию блока управления LAMTEC.



Опасность вспышки! Постоянно контролируйте содержание CO, CO₂ и дымовые выбросы в процессе регулировки. В случае образования CO оптимизируйте значения горения. Содержание CO не должно превышать 50 пропромилле.

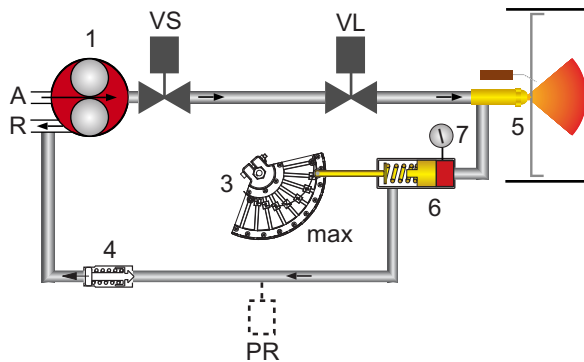
Пуск со стороны жидкого топлива

Регулировка средней мощности горелки

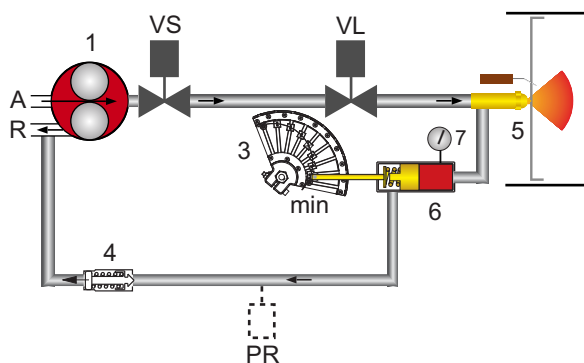
Регулировка расхода топлива достигается за счет настройки параметров блока управления LAMTEC.

См. руководство по использованию блока управления LAMTEC.

ПРЕДУПРЕЖДЕНИЕ: регулируемый профиль имеет нормальную пропорциональный изгиб для соответствующих значений сжигания и уменьшения поломки от механического напряжения.



! **ПРЕДУПРЕЖДЕНИЕ:** После завершения настройки жидкого топлива убедитесь, что вы закрыли точку подключения манометра - датчика давления.

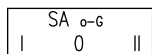


ОБОЗНАЧЕНИЯ

- 1. Топливный насос
- VS. Предохранительный клапан
- 3. Регулировка
- 4. Обратный клапан
- VL. Рабочий топливный клапан
- PR. Реле давления (дополнительное)
- 5. Форсунке
- 6. Регулятор давления
- 7. Манометр-датчик давления

Пуск со стороны газа

Выберите вид работы с газом для продолжения пуска газа.



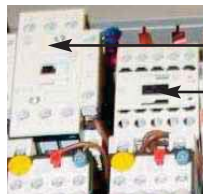
0=STOP

1=OIL

2=GAS



KMV контактор : проверьте вращение привода вентилятора. Если неверно, то поменяйте две фазы электропитания.



KMV

KMP

Пуск горелки

Контрольная аппаратура запускает цикл предварительной продувки, привод вентилятора и открывает клапан отбора воздуха в полное открытое положение. Через несколько секунд, контрольная аппаратура открывает газовые клапана и запускает пламя.

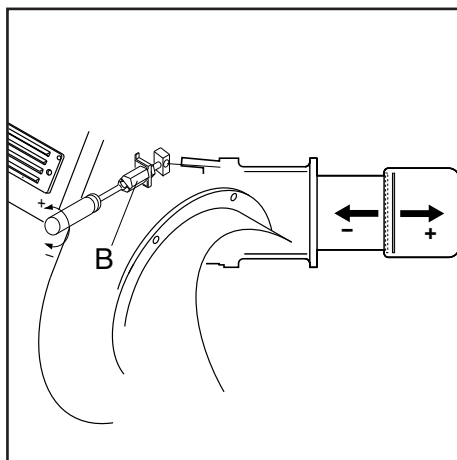
В конце предварительной продувки, контрольная аппаратура запускает сервопривод и положение поджига и запускает трансформатор. После стабилизации, горелка переходит в режим низкого пламени. При неисправном поджоге, контрольная аппаратура переводит горелку и безопасное положение, в этом случае, необходимо заново запустить горелку. Постепенно увеличивайте мощность горелки с тихого до сильного пламени и настройте кривую сервопривода газа для получения стабильного пламени. См. руководство по использованию блока управления LAMTEC.

Регулировка максимального потока воздуха

Регулировка расхода воздуха и газа достигается за счет настройки параметров блока управления LAMTEC. См. руководство по использованию блока управления LAMTEC.

Регулировка огневой головки

Огневая головка предварительно отрегулирована при 50% от изготовителя. Полная открытая настройка дает возможность для достижения полной мощности горелки и полного закрытого положения для достижения минимальной мощности горелки. Оптимальное положение зависит от мощности, которое вы хотите достигнуть, но настройка по умолчанию может быть изменено только если вам не удалось достигнуть рекомендуемого значения сжигания регулировкой высокого пламени.



Сервопривод LAMTEC

Регулировка расхода воздуха достигается за счет настройки параметров блока управления LAMTEC. См. руководство по использованию блока управления LAMTEC.



Опасность вспышки! Постоянно контролируйте содержание CO, CO₂ и дымовые выбросы в процессе регулировки. В случае образования CO оптимизируйте значения горения. Содержание CO не должно превышать 50 пропромилле.

Пуск со стороны газа

Регулировка средней мощности горелки

Газа достигается за счет настройки параметров блока управления LAMTEC. См. руководство по использованию блока управления LAMTEC.

Регулировка реле давления воздуха

Реле давления воздуха контролирует давление воздуха для горения.

Отвинтить винты **A** и **B** и снять крышку **C**.

•Отрегулируйте горение с реле давления воздуха, настроенным на минимальное значение.

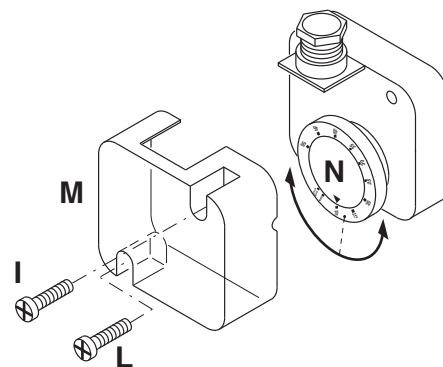
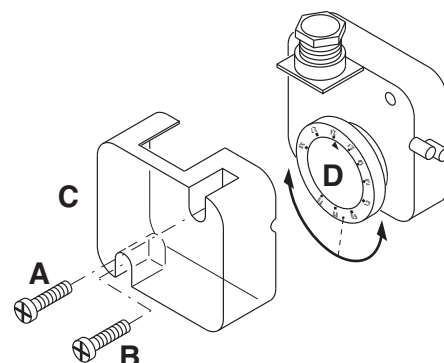
•Закройте отверстие всасывания воздуха куском картона, следя за анализируемыми значениями O₂ и CO.

•Постепенно еще больше закройте проход воздуха до тех пор, пока значение CO не окажется слегка выше 1000 ppm. Оставьте картонку в этом положении.

•Увеличьте настройку реле давления воздуха вплоть до блокировки горелки.

•На данном этапе реле давления настроено таким образом, чтобы избежать образования CO.

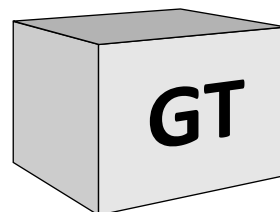
•Уберите картонку и установите на место крышку **C**.



Регулировка реле минимального давления газа

Функция реле минимального давления газа - следить за тем, чтобы давление газа перед газовым клапаном было не ниже минимального, при котором горелка работает нормально.

Отвинтить винты **I** и **L** и снять крышку **M**. Установить регулятор **N** на значение равное 60% номинального давления газа (например, при номинальном давлении метана 20 мбар регулятор устанавливается на значение 12 мбар; для сжиженного газа с номинальным давлением 30/37 мбар регулятор устанавливается на значение 18 мбар). Установить на место крышку **M** и ввернуть винты **I** и **L**.



Регулировка газового клапана

Отрегулируйте газовые клапаны в соответствии с инструкциями Руководства по эксплуатации газовой рампы.

Внимание! Соблюдайте минимальную необходимую температуру дымовых газов, следуя указаниям производителя котла и принимая во внимание тип вытяжных труб, чтобы избежать эффекта конденсации.

Техническое - Работы по техническому обслуживанию

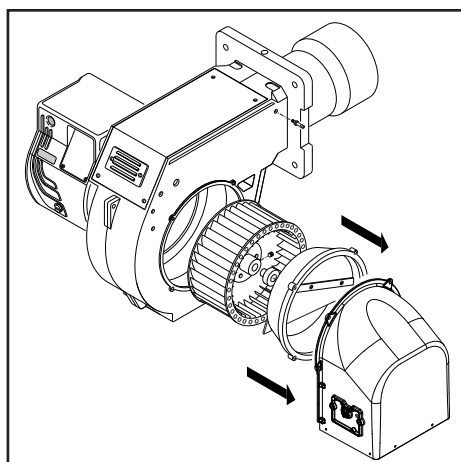
Работы по техническому обслуживанию котла и горелки должны выполняться только специалистом-теплотехником. Для обеспечения регулярного обслуживания пользователю рекомендуется заключить договор на техническое обслуживание.

Внимание

- Перед выполнением любых работ по техническому обслуживанию и очистке отключите электропитание.
- Блокирование и компоненты головки могут быть горячими.

Проверка температуры топочных газов

- Регулярно проверяйте температуру дымовых газов.
- Выполняйте очистку котла, если температура продуктов сгорания более чем на 30° С превышает значение температуры, измеренное при пуске горелки в эксплуатацию.
- С целью упрощения контроля установить дисплей для визуализации температуры выхлопных дымов.

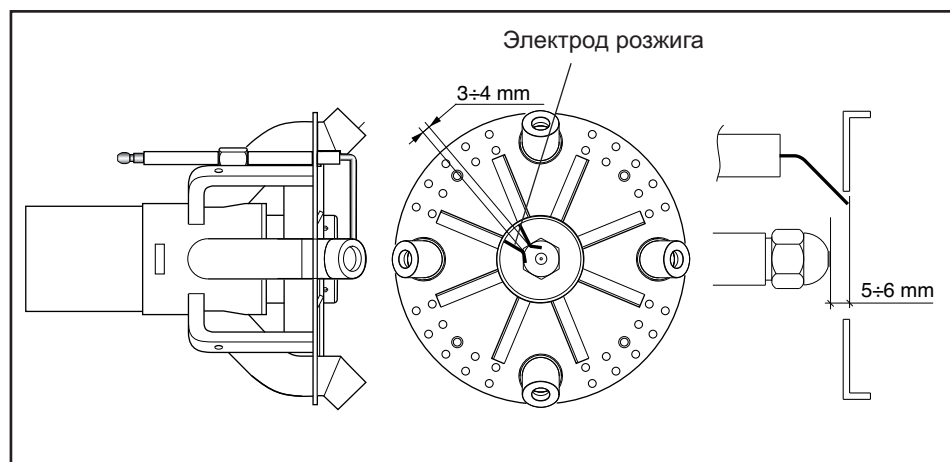


Положения для технического обслуживания

- Все компоненты системы подачи топлива (шланги, трубопроводы) и их соединения должны быть проверены (герметичность, износ) и, при необходимости, заменены.
- Проверьте все электрические подключения и кабели, при необходимости замените их.
- Проверьте состояние газового фильтра, очистите или замените его.
- Проверьте рабочее колесо вентилятора и корпус и убедитесь, что они не повреждены.
- Проверьте и очистите головку горелки.
- Проверьте электроды, при

необходимости отрегулируйте или замените их.

- Запустите горелку, проверьте процесс сгорания и, при необходимости, откорректируйте регулировки горелки.
- Проверьте реле давления воздуха и реле давления газа.
- Проверьте чувствительность газовой рампы к регулировке.
- Выполнить контроль функционирования.



Техническое - Возможные неполадки

Причины неисправностей и способы их устранения

При отклонениях от нормы, должны быть проверены нормальные условия для работы горелки:

1. Есть электрический ток?
2. Есть давление газа?
3. Кран остановки подачи газа открыт?
4. Правильно ли настроены все регулирующие и предохранительные устройства, такие как термореле котла, предохранитель от недостатка воды, электрические концевые выключатели?

В случае, если после контролей в названных точках аномалия сохранится, пользоваться следующей таблицей.

Ни один из существенных компонентов системы безопасности не должен ремонтироваться; эти компоненты должны заменяться компонентами с таким же обозначением.

Используйте только оригинальные запасные части.

ВВ: После проведения любых работ:

- выполните проверку параметров горения в реальных условиях эксплуатации (дверцы закрыты, крышкана месте и т. д.).
- отрегулировать параметры сгорания в технических документах станции.

Обслуживание

Периодическое обслуживание

Периодическое обслуживание горелки (головки, электродов и т.д.) должно выполняться квалифицированным персоналом. В зависимости от условий эксплуатации это делается один или два раза в год. Прежде чем приступить к проверке и последующему обслуживанию горелки рекомендуется произвести её общий осмотр.

Для этого:

- отключить энергоснабжение горелки (вытащить штекер из розетки);
- закрыть отсечной газ/мазут овый кран;
- снять крышку горелки, прочистить вентилятор и всасывающий воздуховод;
- прочистить головку горелки и проверить положение электродов;
- установить обратно все детали;
- открытый отсечной газ/мазут овый кран;
- проверить герметичность газовых соединений;
- проверить дымоход;
- запустить горелку;
- измерить параметры горения.

Прежде, чем выполнять дальнейшие операции, необходимо проверить, верно, что:

- напряжение подается на установку, а горелка подключена;
- в сети имеется требуемое давления газа, и отсечной газ/мазут овый кран находится в открытом положении;
- предохранительные устройства и приборы управления подключены правильно. Если все вышеупомяну-

тые условия соблюдены, нажатием кнопки перезапуска запустить горелку;

- Проверить рабочий цикл горелки.

Не происходит запуск горелки:

- Проверить выключатель, термостаты, двигатель и давление газа.

После предварительной продувки происходит блокировка горелки:

- Проверить давление газа и вентилятор.
- Проверить реле давления воздуха.
- Проверить форсунки (забиты или изношены).
- Проверить фильтры (Засорились).
- Слишком низкое давление топлива.
- Слишком большой расход воздуха горения для форсунки данной производительности.

После предварительной продувки розжиг горелки не происходит:

- Проверить правильность установки электродов и их положение.
- Проверить провод розжига.
- Проверить трансформатор розжига.
- Проверить предохранительные устройства.

После розжига по истечении времени аварийной остановки происходит блокировка горелки:

- Проверить правильность подключения фазы и нуля.
- Проверить газовые электроклапаны.
- Проверить состояние самого фотоэлемента.
- Проверить фотоэлемента.
- Проверить предохранительные

устройства.

- Проверить форсунки (забиты или изношены).
- Проверить фильтры (Засорились).
- Слишком низкое давление топлива.
- Слишком большой расход воздуха горения для форсунки данной производительности.

Блокировка горелки происходит после ее непродолжительной нормальной работы:

- Проверить регулятор давления газа и газовый фильтр.
- Проверить давление газа с помощью манометра.
- Проверить параметры обнаружения пламени.

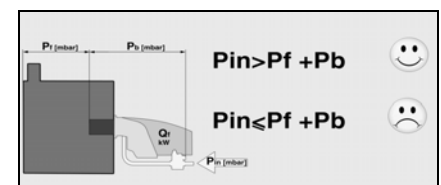
Overview - Gas pressure loss diagrams / Panoramica - Diagramma perdita di pressione / Vue d'ensemble - Diagrammes perte de pression de gaz / Descripción - Diagramas de pérdida de presión / Обзор - Диаграмма перепада давления газов

Burner Bruciatore Brûleur Quegador Горелок	Gas train Rampa gas Rampe gaz Rampa de gas Газовая рампа	Advisable gas governor & filter Stabilizzatore e Filtro Gaz recommandé régulateur et filtre Aconsejable de regulador de presión y el filtro Рекомендуемые газовые регуляторы и фильтры	Spring color Colore molla Couleur du ressort color de resorte Цвет пружины	Inlet gas pressure MIN [mbar] Pressione ingresso gas MIN [mbar] Pression du gaz d'entrée MIN [mbar] Presión de gas de entrada MIN [mbar] Давление газа вход МИН [мбар]	Inlet gas pressure MAX [mbar] Pressione ingresso gas MAX [mbar] Pression du gaz d'entrée MAX [mbar] Presión de gas de entrada MAX [mbar] Давление газа вход МАКС [мбар]	Diagram Diagramma Diagramme Diagrama Диаграмма
BLU 1700.1 (Natural Gas)	VGD 40.080	FILTER DN80	neutral	20	500	5
	VGD 40.065	FILTER DN 65	neutral	30	500	
	VGD 20.503	FILTER 2"	neutral	45	500	
	VCS 350	FGDR 2"	violet	65	500	6
	VCS 240	FGDR-RP50		105	500	
	VCS 240	FGDR 1"1/2	brown	150	500	
	MBDLE 420	included	-	60	360	
	MBDLE 415	included	-	85	360	7
BLU 2000.1 (Natural Gas)	VGD 40.080	FILTER DN80	neutral	23	500	9
	VGD 40.065	FILTER DN 65	neutral	35	500	
	VGD 20.503	FILTER 2"	neutral	60	500	
	VCS 350	FGDR 2"	violet	90	500	10
	VCS 240	FGDR-RP50		155	500	
	VCS 240	FGDR 1"1/2	brown	220	500	
	MBDLE 420	included	-	75	360	
	MBDLE 415	included	-	100	360	11

! PRESSURE DROP includes: "COMBUSTION HEAD + GAS TRAIN + GAS GOVERNOR & FILTER" as per EN676 Standard. Back pressure of boiler (or other applications) must be added/included in order to have the total min pressure drop.
 Le PERDITE DI PRESSIONE includono: "TESTA DI COMBUSTIONE + RAMPA GAS + STABILIZZATORE & FILTRO" come da standard EN676. La contropressione della caldaia (o altre applicazioni) deve essere aggiunta / inclusa per avere la caduta di pressione totale min.
 La CHUTE DE PRESSION comprend : "TETE DE COMBUSTION + RAMPE DE GAZ + REGULATEUR DE GAZ ET FILTRE" conformément à la norme EN676. La contrepession de la chaudière (ou d'autres applications) doit être ajoutée /incluse afin d'avoir la chute totale de pression min.
 LA CAÍDA DE PRESIÓN incluye: "CABEZA COMBUSTIÓN + RAMPA DE GASES + REGULADOR GAS Y FILTRO según la norma EN 676. La contrapresión de la caldera (o de otras aplicaciones) puede adicionarse/incluirse para obtener la caída de presión mínima total.
 ПАДЕНИЕ ДАВЛЕНИЯ включает в себя: "ГОЛОВКА СГОРАНИЯ + ГАЗОВАЯ РАМПА + ГАЗОВЫЙ РЕГУЛЯТОР И ФИЛЬТР" согласно стандарту EN676. Противодавление котла (или других устройств) должно быть добавлено/включено для получения минимального падения давления.

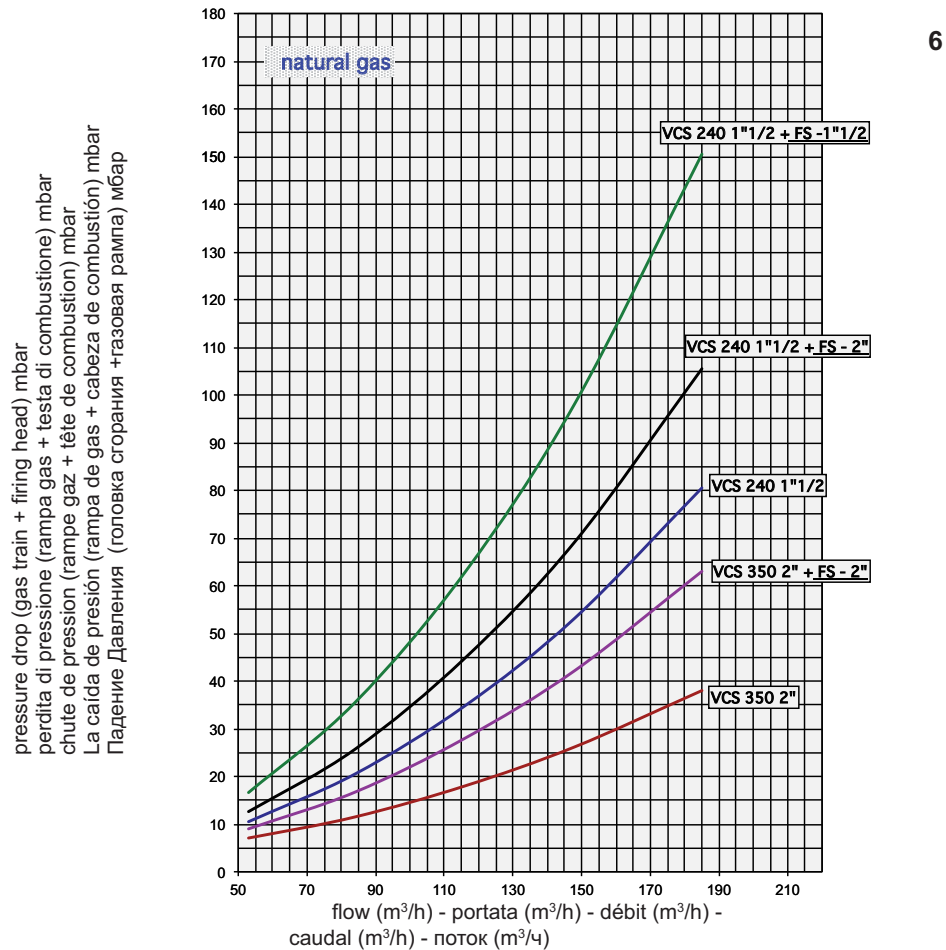
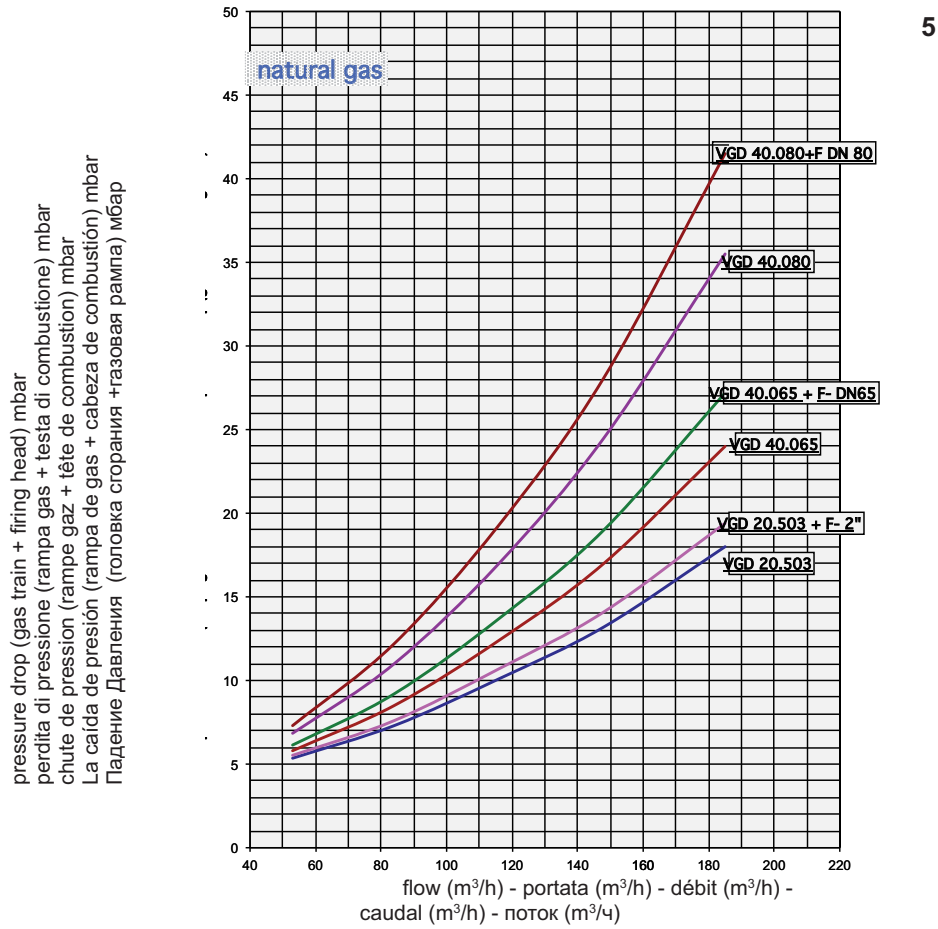
LEGENDA / УСЛОВНЫЕ ОБОЗНАЧЕНИЯ/ LEGENDE

Pf: Back pressure of furnace / Contropressione al focolare / retour pression du chambre de combustion / Contra presión del horno / Противодавление в топке
 Pb: Pressure of burner (combustion head + complete gas train) / Pressione gas bruciatore (testa di combustione + rampa gas) / pression du brûleur (tête de combustion + rampe gaz complète) / Presión del quemador (Cabeza de combustión + Rampa de gas completa) / Газовое давление горелки (головка сгорания + газовая рампа) /



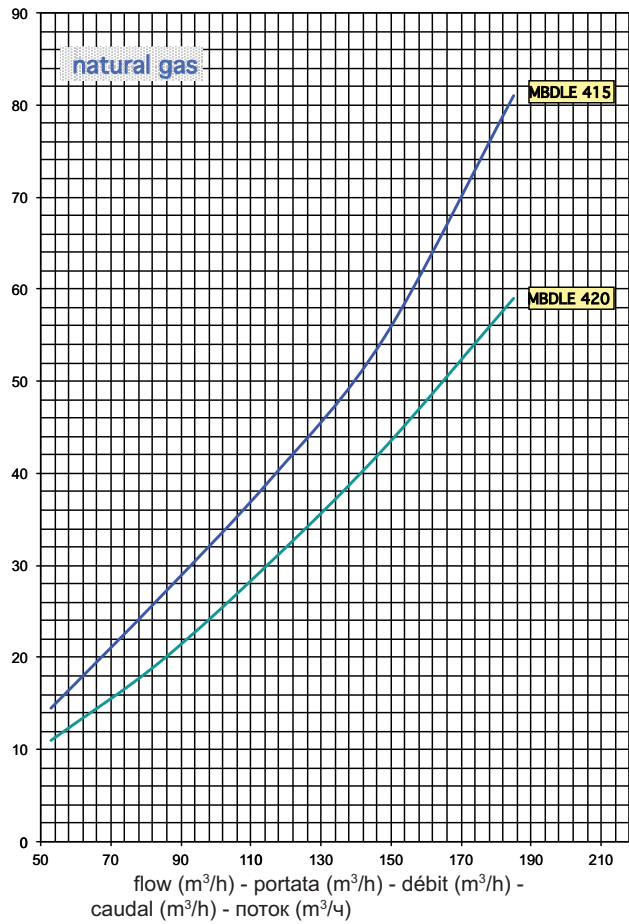
Pin: Minimum inlet pressure / Pressione minima di alimentazione / la pression d'entrée minimale / Presión mínima de entrada / Минимальное давление питания

Overview - Gas pressure loss diagrams / Panoramica - Diagramma perdita di pressione / Vue d'ensemble - Diagrammes perte de pression de gaz / Descripción - Diagramas de pérdida de presión / Обзор - Диарамма перепада давления газов



Overview - Gas pressure loss diagrams / Panoramica - Diagramma perdita di pressione / Vue d'ensemble - Diagrammes perte de pression de gaz / Descripción - Diagramas de pérdida de presión / Обзор - Диарамма перепада давления газов

pressure drop (gas train + firing head) mbar
 perdita di pressione (rampa gas + testa di combustione) mbar
 chute de pression (rampe gaz + tête de combustion) mbar
 La caída de presión (rampa de gas + cabeza de combustión) mbar
 Падение Давления (головка сгорания + газовая рампа) мбар



7

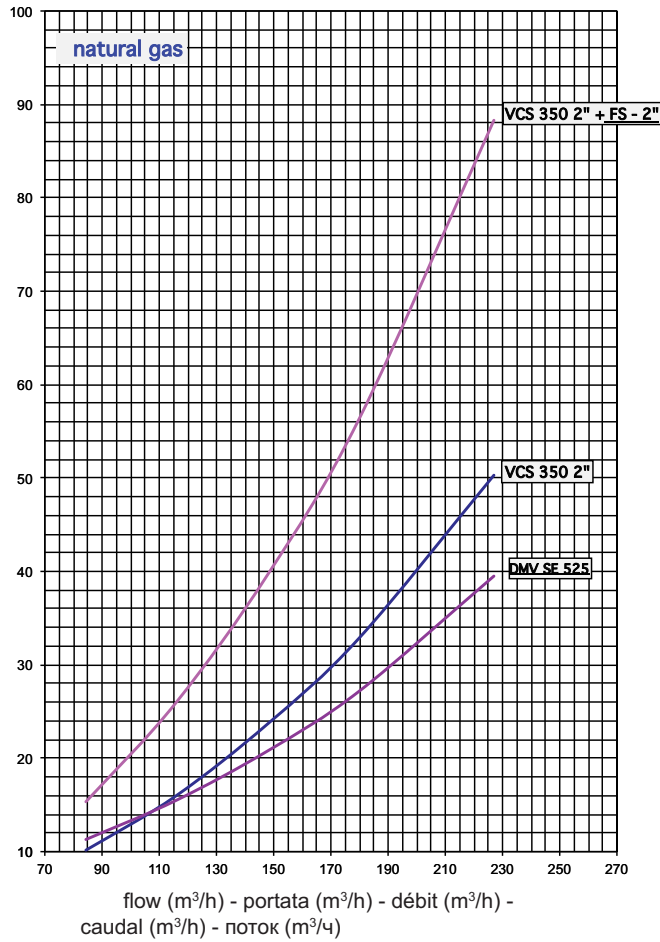
pressure drop (gas train + firing head) mbar
 perdita di pressione (rampa gas + testa di combustione) mbar
 chute de pression (rampe gaz + tête de combustion) mbar
 La caída de presión (rampa de gas + cabeza de combustión) mbar
 Падение Давления (головка сгорания + газовая рампа) мбар



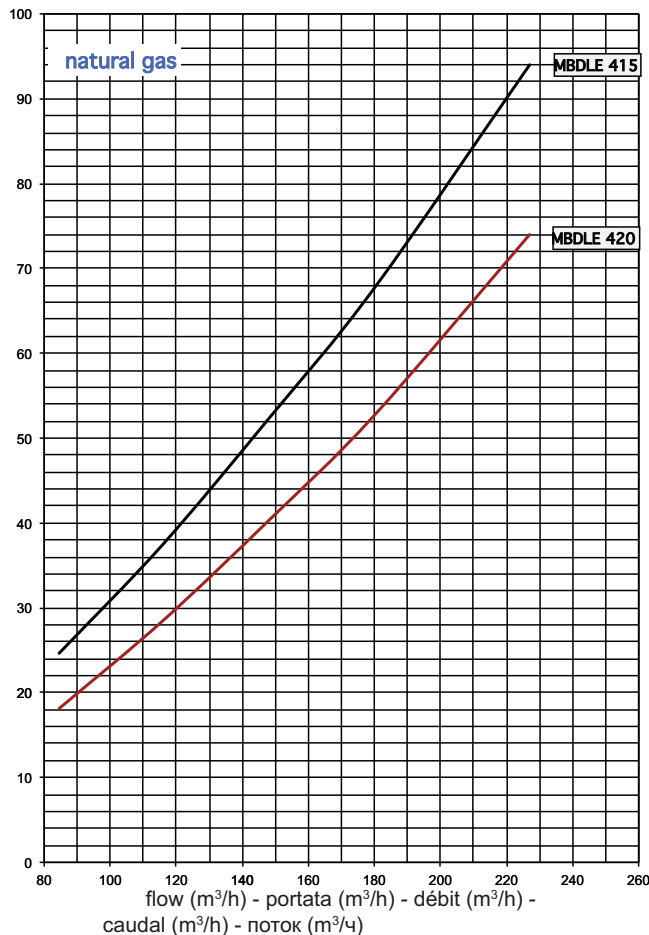
9

Overview - Gas pressure loss diagrams / Panoramica - Diagramma perdita di pressione / Vue d'ensemble - Diagrammes perte de pression de gaz / Descripción - Diagramas de pérdida de presión / Обзор - Диаграмма перепада давления газов / Überblick - Druckverlust-Diagramm

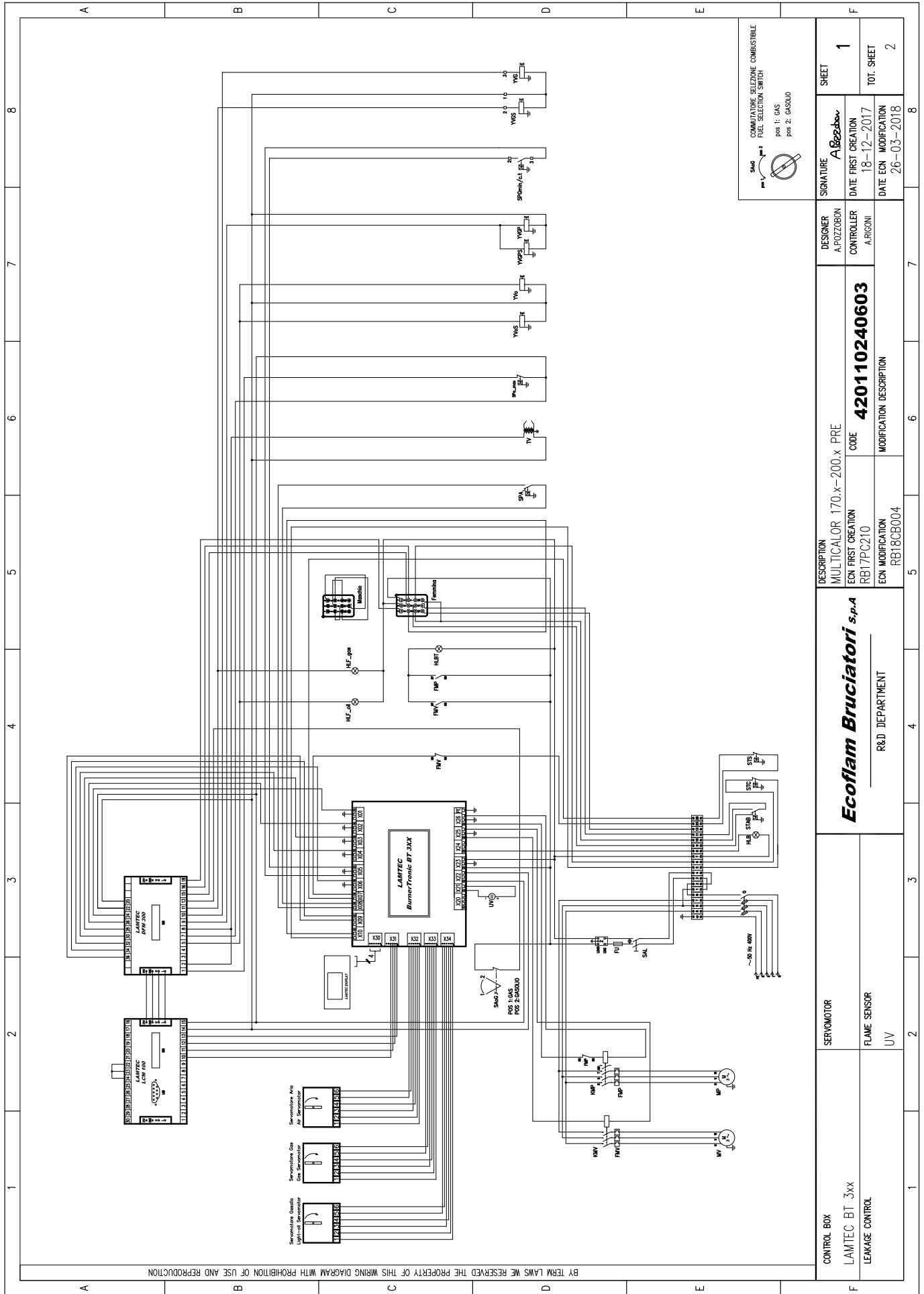
pressure drop (gas train + firing head) mbar
 perdita di pressione (rampa gas + testa di combustione) mbar
 chute de pression (rampe gaz + tête de combustion) mbar
 La caída de presión (rampa de gas + cabeza de combustión) mbar
 Падение Давления (головка сгорания + газовая рампа) мбар



pressure drop (gas train + firing head) mbar
 perdita di pressione (rampa gas + testa di combustione) mbar
 chute de pression (rampe gaz + tête de combustion) mbar
 La caída de presión (rampa de gas + cabeza de combustión) mbar
 Падение Давления (головка сгорания + газовая рампа) мбар



Overview - Electric diagrams / Panoramica - Schemi elettrici / Обзор - Электрические схемы



BY TERM LAWS WE RESERED THE PROPERTY OF THIS WIRING DIAGRAM WITH PROHIBION OF USE AND REPRDUCTION

CONTROL BOX LAMTEC BT 3xx LEAKAGE CONTROL	SERVOMOTOR	DESCRIPTION MULTICALOR 170.x-200.x PRE		DESIGNER A. POZZOBON	SIGNATURE <i>A. Pozzobon</i>	SHEET 1
	FLAME SENSOR UV	ECON FIRST CREATION RB17PC210	CODE 420110240603	CONTROLLER A. RIGONI	DATE FIRST CREATION 18-12-2017	TOT. SHEET 2
		ECON MODIFICATION RB18CB004	MODIFICATION DESCRIPTION		DATE ECON MODIFICATION 26-03-2018	

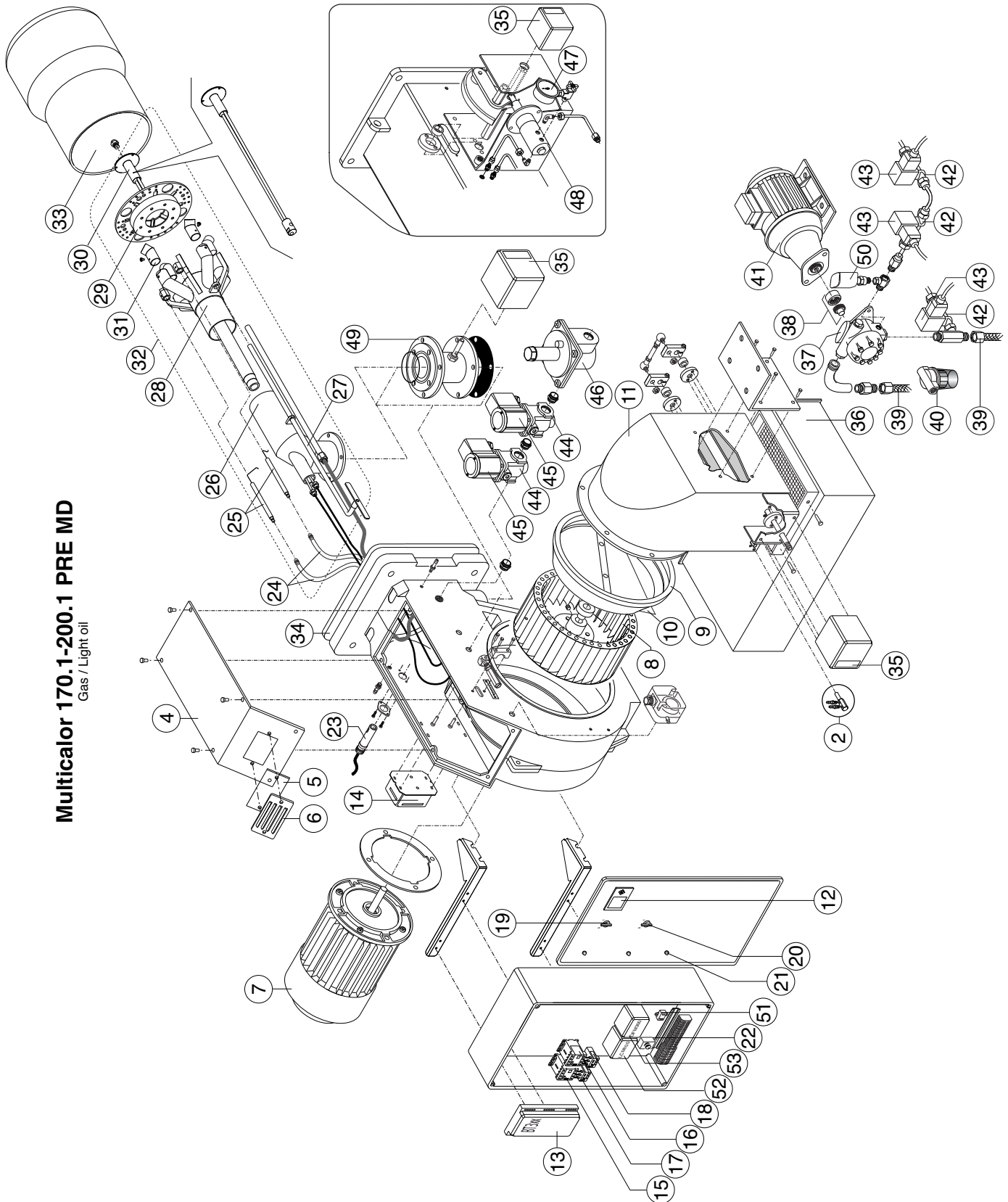
COMPUTATORE SELEZIONE COMBUSTIBILE
FUEL SELECTION SWITCH
pos 1: GAS
pos 2: GASOLIO

1		2		3		4		5		6		7		8	
Q/01	INTERRUTTORE GENERALE CON FUSIBILE MAIN SWITCH WITH FUSE INTERRUPTEUR GENERAL AVEC FUSIBLE INTERRUPTOR GENERAL CON FUSIBLE	Y6S	ELETTROVALVOLA GAS DI SICUREZZA EXTRA SAFETY GAS SOLENOID VALVE ELECTROVANNE GAZ DE SECURITE ELECTROVALVULA GAS DE SEGURIDAD												
Z	FILTRO ANTIDISTURBO ANTI-JAMMING FILTER FILTRE ANTI-PARASITES FILTRO DE PROTECCION ANTIDISTURBO	SPGmin c.t	PRESSOSTATO GAS DI MINIMA/TENUTA GAS PRESSURE SWITCH MIN/LEAKAGE CONTROL PRESSOSTAT GAZ PRESSION MIN/CONTR. D'ETANCHEITI PRESOSTAT GAS DE MINIMA PNT./CONTROL DE ESTANQUIDAD												
FU	FUSIBILE FUSE FUSIBLE FUSIBLE	HLP6max	LAMPADA GAS DI MASSIMA MAX PRESSURE LAMP LAMPADRE PRESSION MAXIMALE ESPIA DE MAXIMA PRESSION GAS												
MV	MOTORE VENTILATORE MOTOR FAN MOTEUR VENTILATEUR MOTOR VENTILADOR	HLF_gps	LAMPADA GAS GAS LAMP LAMPE DE GAZ ESPIA GAS												
TV	TRASFORMATORE IGNITION TRANSFORMER TRANSFORMATEUR D'ALLUMAGE TRANSFORMADOR	HLF_oil	LAMPADA GASOLIO OIL LAMP LAMPON MAZOUT ESPIA GASOLEO												
UV	FOTOCELLA UV UV CELL CELLULE UV FOTOCELULA	KA	RELE' RELAY RELAIS RELE												
FMV	RELE' TERMICO MOTORE VENTILATORE MOTOR THERMAL RELAY (FAN MOTOR) RELAIS THERMIQUE MOTEUR VENTILATEUR RELE' TERMICO MOTOR VENTILADOR	Y6P	ELETTROVALVOLA GAS PILOTA PILOT FLAME SOLENOID GAS VALVE ELECTROVANNE GAZ PILOTE ELECTROVALVULA GAS PILOTO												
HLB	LAMPADA DI BLOCCO LOCK-OUT LAMP LAMPE DE SECURITE ESPIA DE BLOQUEO	Y6PS	ELETTROVALVOLA GAS PILOTA DI SICUREZZA EXTRA SAFETY PILOT SOLENOID GAS VALVE ELECTROVANNE GAZ PILOTE DE SECURITE ELECTROVALVULA GAS PILOTO DE SEGURIDAD												
KMV	CONTATTORE MOTORE VENTILATORE REMOTE CONTROL SWITCH (FAN MOTOR) CONTACTEUR MOTEUR VENTILATEUR TELERRUPTEUR MOTOR VENTILADOR	Y6A	ELETTROVALVOLA GASOLIO DI ANDATA OIL SOLENOID VALVE ELECTROVANNE MAZOUT ELECTROVALVULA DE GASOLEO												
SAL	INTERRUTTORE DI LINEA WORKING SWITCH INTERRUPTEUR DE LIGNE INTERRUPTOR DE LINEA	Y6R	ELETTROVALVOLA GASOLIO DI RITORNO OIL SOLENOID VALVE ELECTROVANNE MAZOUT ELECTROVALVULA DE GASOLEO												
SPA	PRESSOSTATO ARIA AIR PRESSURE SWITCH PRESSOSTAT AIR PRESOSTATO AIRE	Y6s	ELETTROVALVOLA GASOLIO DI SICUREZZA EXTRA SAFETY OIL SOLENOID VALVE ELECTROVANNE MAZOUT DE SECURITE ELECTROVALVULA DE GASOLEO DE SEGURIDAD												
STC	TERMOSTATO CALDAIA BOILER THERMOSTAT THERMOSTAT CHAUDIERE TERMOSTATO CALDERA														
STS	TERMOSTATO DI SICUREZZA SAFETY THERMOSTAT THERMOSTAT DE SECURITE TERMOSTATO DE SEGURIDAD														
HLBT	LAMPADA DI BLOCCO TERMICO THERMAL LOCK-OUT LAMP LAMPE DE THERMAL DE SECURITE ESPIA DE BLOQUEO RELE TERMICO														
STAB	TERMOSTATO DI ALTA-BASSA FIAMMA HIGH-LOW FLAME THERMOSTAT THERMOSTAT GRANDE-PETITE ALLURE TERMOSTATO DE ALTA-BAJA LLAMA														
Y6G	ELETTROVALVOLA GAS DI PRIMA FAMMA FIRST STAGE GAS SOLENOID VALVE ELECTROVANNE GAZ PETITE ALLURE ELECTROVALVULA GAS DE 1.° LLAMA														
CONTROL BOX LAMTEC BT 3xx LEAKAGE CONTROL	SERVOMOTOR FLAME SENSOR UV														

BY TERM LAWS WE RESERVED THE PROPERTY OF THIS WIRING DIAGRAM WITH PROHIBITION OF USE AND REPRODUCTION

DESIGNER A. POZZOBON	SIGNATURE A. Pozzobon	SHEET 2
CONTROLLER A. RIGNI	DATE FIRST CREATION 18-12-2017	TOT. SHEET 2
DESCRIPTION MULTICALOR 170.x-200.x PRE		
ECON FIRST CREATION RBT7PC210		
CODE 420110240603		
ECON MODIFICATION RBT18CB004		
MODIFICATION DESCRIPTION		
ECON MODIFICATION RBT18CB004		
DESCRIPTION Ecoflam Bruciatori s.p.a R&D DEPARTMENT		

Multicalor 170.1-200.1 PRE MD
Gas / Light oil



N°	DESCRIPTION	DESCRIZIONE	НАИМЕНОВАНИЕ	Multicalor 170.1 PRE code	Multicalor 200.1 PRE code
1	AIR PRESSURE SWITCH	PRESSOSTATO ARIA	РЕЛЕ ДАВЛЕНИЯ ВОЗДУХА	65323047	65323047
2	AIR INTAKE SET	GRUPPO PRESE ARIA	ВОЗДУХОЗАБОР В СБОРЕ	65324718	65324718
3	WIELAND PLUG	SPINA WIELAND	ШТЕКЕР WIELAND	-	-
4	COVER	COPERCHIO BRUCIATORE	КРЫШКА ГОРЕЛКИ	65320676	65320676
5	GLASS	VETRINO	СМОТРОВОЕ СТЕКЛО	65320487	65320487
6	PEED WINDOM FRAME	CORNICE OBLO	РАМКА СМОТРОВОГО СТЕКЛА	65320488	65320488
7	MOTOR	MOTORE	ДВИГАТЕЛЬ	65322831	-
8	FAN	VENTOLA	ВЕНТИЛЯТОР	65321798	65321798
9	AIR CONVEYOR	CONVOGLIATORE	ВОЗДУХОВОД	840050055301	840050055301
10	FAN SCOOP	SURPRESSORE	ДЕФЛЕКТОР	-	65320625
11	AIR INTAKE	CASSETTO	КОЖУХ ВОЗДУХОЗАБОРА	840050066405	840050066405
12	DISPLAY	DISPLAY	МОНТАЖН ПЛАСТИНА АППАРАТУРЫ УПРАВЛ	LAMTEC U1800	65326932
13	CONTROL BOX	APPARECCHIATURA	БЛОК УПРАВЛЕНИЯ	LAMTEC BT 340 667R1340-1	14058433
14	IGNITION TRANSFORMER	TRASFORMATORE	ТРАНСФОРМАТОР РОЗЖИГА	65323222	65323222
15	REMOTE CONTROL SWITCH	CONTATTORE	ПУСКАТЕЛЬ	BF1810A230	65073928
16	REMOTE CONTROL SWITCH (PUMP)	CONTATTORE MOTORE POMPA	ДИСТАНЦИОННЫЙ ПУСКАТЕЛЬ (НАСОСА)	LS7K.10	65324097
17	MOTOR THERMAL RELAY	RELE TERMICO	ТЕПЛОВОЕ РЕЛЕ ДВИГАТЕЛЯ	65074309	65074309
18	MOTOR THERMAL RELAY (PUMP)	RELE TERMICO POMPA	ТЕПЛОВОЕ РЕЛЕ ДВИГАТЕЛЯ (НАСОСА)	11 BG0910 A230	65323113
19	MAIN SWITCH	INTERRUTTORE DI LAVORO	РАБОЧИЙ ВЫКЛЮЧАТЕЛЬ	AEG 5.5-8.5A	65074493
20	SELECTOR	COMMUTATORE	ПЕРЕКЛЮЧАТЕЛЬ	AEG 1.35-2A	65324098
21	LAMP	LAMPADA	ИНДИКАТОРНАЯ ЛАМПОЧКА	ECX4252	65324278
				ECX4350	65324100
				LYVIA 10X28 BA9S	65324100
				RED LED	65325033
				GREEN LED	65325034
				YELLOW LED	65325044
22	FUSE SUPPORT	PORTA FUSIBILE	НЕЗДЛО ПЛАВКОГО ПРЕДОХРАНИТЕЛЯ	65324279	65324279
23	UV CELL	FOTOCELULA	ФОТОЭЛЕМЕНТ	HK 520 04-1 10A	65320075
24	IGNITION CABLE	CAVO DI ACCENSIONE	ПРОВОД РОЗЖИГА	SIEMENS QRA	65320946
25	IGNITION ELECTRODES SET	ELETTRODO	ЭЛЕКТРОДЫ РОЗЖИГА	65325903	65325903
26	PIPE	TUBO	КРЕПЕЖНАЯ ТРУБКА ОГНЕВОЙ ГОЛОВКИ	65321674	65321674
				TC	65324593
				TL	65320244
27	ROD	ASTA SUPPORTO TESTA	РЕГУЛИРОВОЧНЫЙ ШТОК ГОРЕЛКИ	65320244	65320244
				TL	65320245
28	GAS FIRING HEAD	TESTA DI COMBUSTIONE GAS	ОГНЕВАЯ ГОЛОВКА ДЛЯ ГАЗА	TC	840050064301
29	DISC ASSEMBLY	GRUPPO DISCO	РАССЕКАТЕЛЬ	TL	65320821
30	LIGHT OIL FIRING HEAD	TESTA DI COMBUSTIONE OLIO	ОГНЕВАЯ ГОЛОВКА ДЛЯ МАЗУТА	TC	65325101
				TL	65325102
31	DIFFUSER	DIFFUSORE	ОГНЕВАЯ ГОЛОВКА В СБОРЕ	TC	65325795
32	INNER ASSEMBLY	GRUPPO TESTA DI COMBUSTIONE	ОГНЕВАЯ ГОЛОВКА В СБОРЕ	TL	65325795

TC = Testa corta / Short Head / Tete courte / Cabeza corta / КОРОТКАЯ ОГНЕВАЯ ГОЛОВКА / TL = Testa lunga / Long Head / Tete longue / Cabeza larga / ДЛИННАЯ ОГНЕВАЯ ГОЛОВКА / LANGER BRENNERKOPF

Overview - Spare parts list / Panoramica - Parti di ricambio / Обзор - Запчасти

N°	DESCRIPTION	DESCRIZIONE	НАИМЕНОВАНИЕ	Multicalor 170.1 PRE code	Multicalor 200.1 PRE code
33	BLAST TUBE	BOCCAGLIO	СТАКАН	65320451	65320453
34	GASKET ISOMART	GUARNIZIONE	ЮЛАНЦИ	65320452	65320454
35	SERVOMOTOR	MOTORIDUTTORE	РЕГУЛЯТОР ДАВЛЕНИЯ ТОПЛИВА	65321124	65321124
36	SILENCER	SILENZIATORE	ШУМОГЛУШИТЕЛЬ	65311650	65311650
37	OIL PUMP	POMPA	ТОПЛИВНЫЙ НАСОС	65300527	65300527
38	COUPLING	GIUNTO	МУФТА	400010100700	400010100700
39	HOSES	FLESSIBILI	ГИБКИЕ ШЛАНГИ	65322991	65322991
40	OIL FILTER	FILTRO	ТОПЛИВНЫЙ ФИЛЬТР	65325386	65325386
41	PUMP MOTOR	MOTORE POMPA	ДВИГАТЕЛЬ НАСОСА	65323182	65323182
42	OIL VALVE	VALVOLA	ТОПЛИВНЫЙ КЛАПАН	65324806	65324806
43	COIL	BOBINA	КАТУШКА	65322836	65322836
44	PILOT GAS VALVE	VALVOLA GAS PILOTA	ПИЛОТНЫЙ КЛАПАН ЗАПАЛЫВНИКА	65323739	65323739
45	COIL	BOBINA	КАТУШКА	65323595	65323595
46	GAS GOVERNOR	STABILIZZATORE DI PRESSIONE	СТАБИЛИЗАТОР ДАВЛЕНИЯ ФИЛЬТР	65323707	65323707
47	MANOMETER	MANOMETRO	МАНОМЕТР	65325207	65325207
48	ADJUSTMENT PRESSURE	REGOLATORE DI PRESSIONE OLIO	РЕГУЛЯТОР ДАВЛЕНИЯ ТОПЛИВА	65324105	65324105
49	THRUSTLE VALVE	VALVOLA A FARFALLA GAS	УЗЕЛ ДРОССЕЛЬНОГО КЛАПАНА	65322350	65322350
50	OIL PRESSURE SWITCH	PRESSOSTATO OLIO	РЕЛЕ ДАВЛЕНИЯ ТОПЛИВА	65326913	65326913
51	ANTI-KNOCKING FILTER	FILTRO ANTIDISTURBO	ФИЛЬТР ПОДАВЛЕНИЯ ПОМЕХ	65312206	65312206
52	LOAD CONTROL UNIT		LCM100	65323170	65323170
53	DUAL-FUEL MODULE		DMF300	65311790	65311790

TC = Testa corta / Short Head / Tete courte / Cabeza corta / КОРОТКАЯ ОГНЕВАЯ ГОЛОВКА / TL = Testa lunga / Long Head / Tete longue / Cabeza larga / ДЛИННАЯ ОГНЕВАЯ ГОЛОВКА / LANGER BRENNERKOPF

Ecoflam

Ecoflam Bruciatori S.p.A.

Via Roma, 64 - 31023 Resana (TV) - Italy

Tel. +39 0423 719500

Fax +39 0423 719580

<http://www.ecoflam-burners.com>

e-mail: export@ecoflam-burners.com

Società soggetta alla direzione e al coordinamento di Ariston Thermo S.p.A.

Via A. Merloni, 45 - 60044 Fabriano (AN) - CF 01026940427

Ecoflam Bruciatori S.p.A. reserves the right to make any adjustments, without prior notice, which is considered necessary or useful to its products, without affecting their main features

Ecoflam Bruciatori S.p.A. si riserva il diritto di apportare ai prodotti le modifiche che riterrà necessarie o utili, senza pregiudicarne le caratteristiche principali.

La maison Ecoflam Bruciatori S.p.A. se réserve le droit d'apporter les modifications qu'elle jugera nécessaires ou utiles à ses produits sans pour autant nuire à leurs caractéristiques principales

Ecoflam Bruciatori S.p.A. se reserva el derecho a introducir en sus productos todas las modificaciones que considere necesarias o utiles, sin perjudicar sus características

"Ecoflam Bruciatori S.p.A." оставляет за собой право вносить в конструкцию оборудования любые необходимые изменения без особого предупреждения