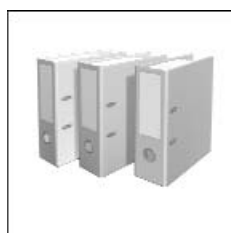
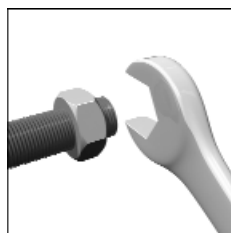


BLU TS 500.1 PR
BLU TS 700.1 PR
BLU TS 1000.1 PR



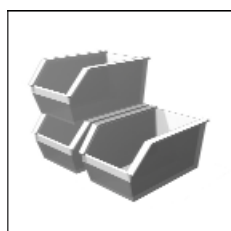
Technical data
Dati tecnici
Données techniques
Datos técnicos
Технические характеристики
Technische Daten



Operating instructions
Istruzioni per l'uso
Notice d'emploi
Manual de uso
Руководство по эксплуатации
Betriebsanleitung



Electric diagrams
Schemi elettrico
Schémas électrique
Esquemas eléctrico
Электрические схемы
Elektro Schalt- und Anschlussschemata



Spare parts list
Parti ricambi
Pièces de rechange
Piezas de recambio
Запчасти
Ersatzteilliste



420010593900

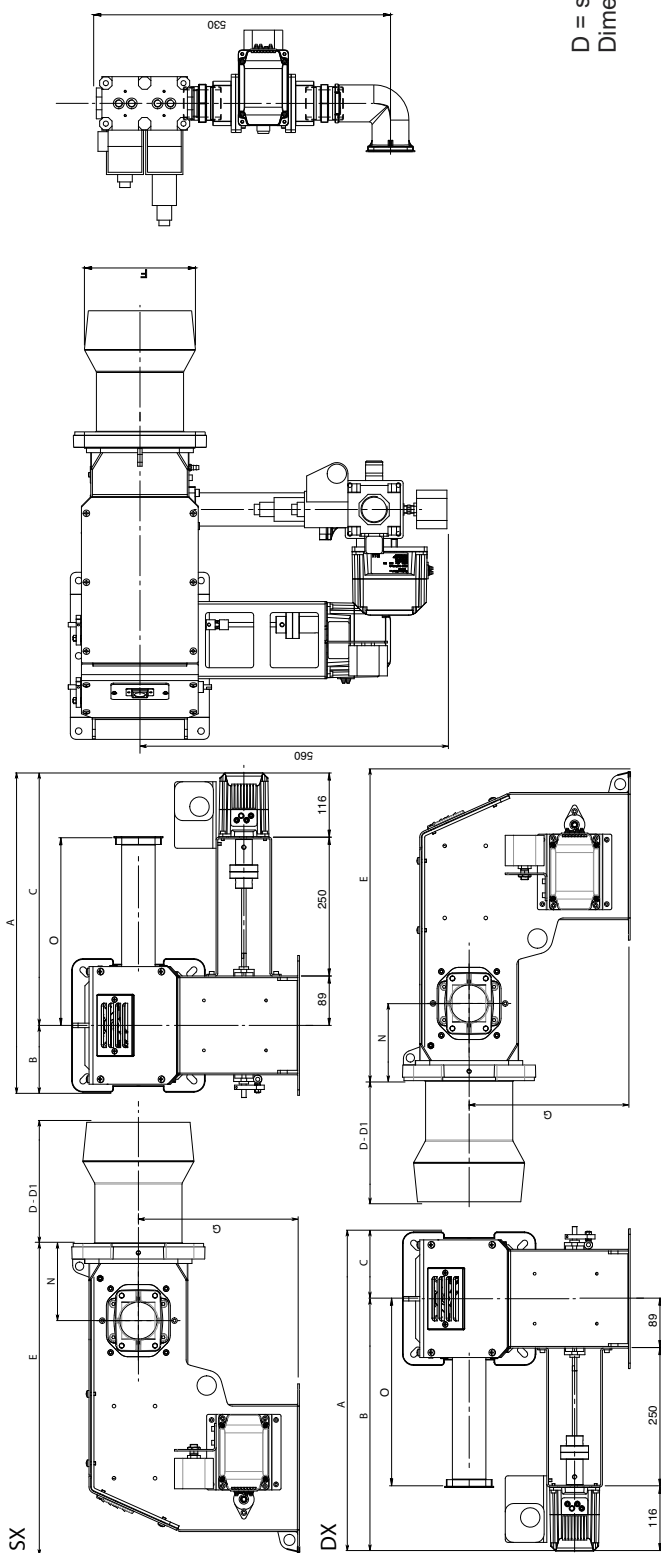
BLU TS 500.1 PR TC HT SP SX GN 18MBAR	3143932
BLU TS 700.1 PR TC HT SP SX GN 30MBAR	3143948
BLU TS 1000.1 PR TC HT SP SX GN 60MBAR	3143958

Overview - Index of contents / Panoramica - Indice dei contenuti / Vue d'ensemble - Table des matières
Descripción - Sumario / Обзор - Содержание / Überblick - Inhaltsverzeichnis

<p>Technical data Dati tecnici Données techniques Datos técnicos Технические характеристики Technische Daten</p>	<p>EN IT FR ES RU DE</p>	<p>3</p>
<p>Dimensions Dimensioni Dimensions Dimensiones Размеры Größe</p>	<p>EN IT FR ES RU DE</p>	<p>5</p>
<p>Operating instructions for authorised specialists</p>	<p>EN</p>	<p>6 - 15</p>
<p>Istruzione per l'uso per il personale qualificato</p>	<p>IT</p>	<p>16 - 25</p>
<p>Notice d'emploi pour l'installateur spécialiste</p>	<p>FR</p>	<p>26 - 35</p>
<p>Instrucciones de montaje para el instalador especialista</p>	<p>ES</p>	<p>36 - 45</p>
<p>Инструкция по эксплуатации Предназначено для квалифицированных специалистов по установке</p>	<p>RU</p>	<p>46 - 55</p>
<p>Betriebsanleitung Für die autorisierte Fachkraft</p>	<p>DE</p>	<p>56 - 65</p>
<p>Electric diagrams Schemi elettrico Schémas électrique Esquemas eléctrico Электрические схемы Elektro Schalt- und Anschlussschemata</p>	<p>EN IT FR ES RU DE</p>	<p>66 - 67</p>
<p>Spare parts list Parti di ricambio Pièces de rechange Piezas de recambio Запчасти Ersatzteilliste</p>	<p>EN IT FR ES RU DE</p>	<p>68 - 70</p>
<p>Conformity declaration Dichiarazione di conformità Déclaration de conformite Declaración de conformidad Сертификат соответствия Konformitätserklärung</p>	<p>EN IT FR ES RU DE</p>	<p>71</p>

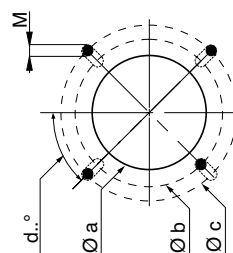
Technical data - Dati tecnici - Données techniques - Datos técnicos - Технические характеристики - Technische Daten		BLU TS 500.1		BLU TS 700.1		BLU TS 1000.1					
Burner output max/min kW - kcal/h	Potenza bruciatore max/min kW - kcal/h	Puissance du brûleur max/min kW - kcal/h	Potencia del quemador max/min kW - kcal/h	Мощность горелки макс./мин., кВт - ккал/час	Brennerleistung max/min kW - kcal/h	500 430.000	230 197.800	700 602.000	270 232.200	875 752.500	280 240.800
Operation	Funzionamento	Fonctionnement	Funcionamiento	Модификация	Betrieb	2		2			
Regulating ratio	Rapporto di regolazione	Rapport de régulation	Relación de regulación	Коэффициент регулирования	Regelverhältnis	1:5		1:5			
Fuel	Combustibile	Fuel	Combustible	Топливо	Kraftstoff	Natural Gas (L.C.V. 8.570 kcal/Nm ³), LPG (L.C.V. 22.260 kcal/Nm ³) (G20) Hu = 10,35 kWh/m ³ - (G25) Hu = 8,83 kWh/m ³ (G31) Hu = 25,89 kWh/m ³					
Emission class	Classe di emissione	Classe d'émission	Tipo de emisión	Класс выделения загрязняющих веществ	Emissionsklasse	Standard Class 3 - GAS EN676 (<80mg/kWh)					
Control box	Apparecchiatura di controllo	Coffret de sécurité	Cajetín de seguridad	Блок управления и безопасности	Feuerungsautomat	LAMTEC BT330					
Gas train	Rampa gas	Rampe gaz	Rampa de gas	Газовая рампа	Gasarmatur	GAS TRAIN TABLE - DIFFERENT MODELS / CONFIGURATIONS					
Gas connection	Allacciamento gas	Raccordement gaz	Conexión de gas	Подсоединение газа	Gasanschluss	Rp 20 3/4" - Rp 25 1" - Rp 32 1"1/4 - Rp 40 1"1/2 - Rp 50 2"					
Gas input pressure	Pressione di ingresso gas	Pression d'entrée du gaz	Presión de entrada del gas	Давление газа на входе	Gaseingangsdruck	SEE GAS TRAIN MATCHING TABLE					
LPG input pressure	Pressione di ingresso LPG	Pression d'entrée du gaz propane	Presión de entrada LPG	Давление LPG на входе	LPG eingangsdruck	SEE GAS TRAIN MATCHING TABLE					
Air regulation Air flap	Regolazione aria Serranda dell'aria	Réglage de l'air Volet d'air	Ajuste del aire Válvula de aire	Настройка подачи воздуха Воздушная заслонка	Luftregulierung Luftklappe	1					
Flame monitor	Rivelatore di fiamma	Surveillance de flamme	Vigilancia de llama	Контроль пламени	Flammenwächter	ionization					
Ignition transformer	Trasformatore d'accensione	Allumeur	Encendedor	Устройство розжига	Zündtransformator	Cofi / Fida					
Voltage	Tensione	Tension	Tensión	Напряжение	Spannung	230-400 V / 50 Hz					
Weight	Peso	Poids	Peso	Приблизительная масса	Gewicht	39,4 (.) kg					
Protection level	Classe di protezione	Indice de protection	Indice de protección	Класс электрозащиты	Schutzart	IP55					
Sound pressure level dB(A)	Livello pressione sonora dB(A)	Niveau pression acoustique dB(A)	Nivel de presión acústico dB(A)	Уровень шума, dB(A)	Schalldruckpegel dB(A)						
Ambient temp. for storage	Temperatura ambiente di stoccaggio	Température ambiente de stockage	Temperatura ambiente de almacenamiento	температура хранения	Umgebungstemperatur	-20° ... +70° C					
Temperature for use	Temperatura d'utilizzazione	Température d'utilisation	Temperatura ambiente de utilización	Рабочая температура	Betriebstemperatur	-10° ... +60° C					

Overview - Dimensions / Panoramica - Dimensioni / Vue d'ensemble - Dimensions / Descripción - Dimensiones /
Обзор - Размеры / Überblick - Größe

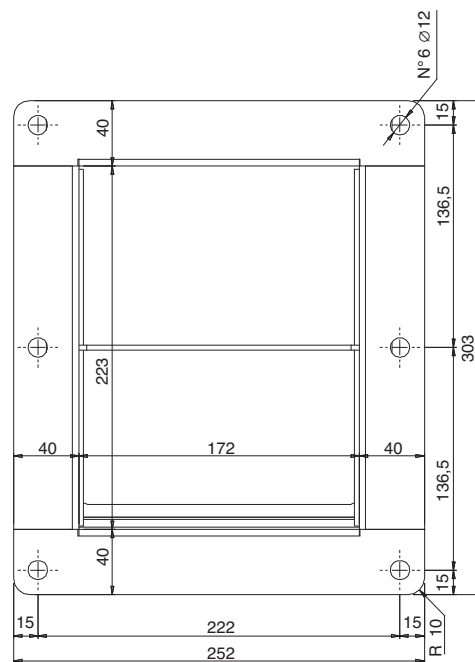


D = short head D1 = long head
Dimensions (mm)

Model	A	B	C	D	D1	E	F	G	I	L	M	N	O
BLU TS 500.1 PR SX	575	120	455	205		556	160	290	185/200	185/200	M10	140	338
BLU TS 700.1 PR SX	575	120	455	205		556	170	290	185/200	185/200	M10	140	338
BLU TS 1000.1 PR SX	575	120	455	205		556	190	290	185/200	185/200	M10	140	338



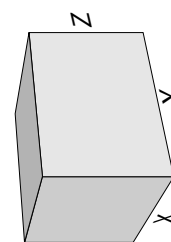
AIR FLANGE



Model	Ø a	Ø b	Ø c	d°
BLU TS 500.1 PR	170	262	283	45°
BLU TS 700.1 PR	180	262	283	45°
BLU TS 1000.1 PR	200	262	283	45°

Packaging

Model	X	Y	Z	kg
BLU TS 500.1 PR	796	1055	575	47,5
BLU TS 700.1 PR	796	1055	575	47,5
BLU TS 1000.1 PR	796	1055	575	47,5



Contents - Index - General warnings

Overview	Technical data	3
	Dimensions	4
Contents	Index	5
	General warnings	5
	Burner description	6
Function	General safety functions	7
	Control and safety unit LAMTEC	8
Installation	Burner assembly	9
	Electrical connection	10
	Checks before commissioning	10
Start up	Adjusting burner output	11
	Air pressure switch adjustment - setting gas pressostat	12
Service	Maintenance	13
	Troubleshooting	14
Overview	Electrical diagrams	66-67
	Spare parts list	68-70
Contents	Conformity declaration	71

Important notes

BLU TS burners are designed for the low-pollutant combustion of natural gas and Liquefied Petroleum Gas. The design and function of the burners comply with standard EN676. Assembly and commissioning must be carried out only by authorised specialists and all applicable guidelines and directives must be observed.

Burner description

BLU TS are progressive, fully automatic, duoblock type burners. The special design of the burner head provides low-polluting combustion with high efficiency. In line with testing as defined by EN676, the values comply with emissions class 3 (NOx<80mg/kWh) Emissions values may differ, depending on combustion chamber dimensions, combustion chamber load and the firing system (three-pass boilers, boilers with reverse firing). They are suitable for use with all heat generators complying with EN 303 or for use with hot air generators complying with DIN 4794, and DIN 30697 within their respective performance range.

Use for any other application requires the approval of Ecoflam. The following standards should be observed in order to ensure safe, environmentally sound and energy-efficient operation:

EN 676

Forced-draught gas burners

EN 226

Connection of fuel oil and forced-draught gas burners to a heat generator.

EN 60335-1, -2-102

Specification for safety of household and similar electrical appliances, particular requirements for gas burning appliances.

Installation location

The burner must not be operated in rooms containing aggressive vapours (e.g. spray, perchloroethylene, hydrocarbon tetrachloride, solvent, etc.) or tending to heavy dust formation or high air humidity. Adequate ventilation must be provided at the place of installation of the furnace system to ensure a reliable supply with combustion air.

Variations may arise as a result of local regulations.

We can accept no warranty liability whatsoever for loss, damage or injury caused by any of the following:

- Inappropriate use.
- Incorrect assembly or repair by the customer or any third party, including the fitting of non-original parts.

Provision of the system and the operating instructions

The firing system manufacturer must supply the operator of the system with operating and maintenance instructions on or before final delivery. These instructions should be displayed in a prominent location at the point of installation of the heat generator, and should include the address and telephone number of the nearest customer service centre.

Notes for the operator

The system should be inspected by a specialist at least once a year. It is advisable to take out a maintenance contract to guarantee regular servicing.

Ecoflam burners have been designed and built in compliance with all current regulations and directives.

All burners comply to the safety and energy saving operation regulations within the standard of their respective performance range. The quality is guaranteed by a quality and management system certified in accordance with ISO 9001:2008.



Contents - Burner description

BLU TS 700.1 PR TC - HT SP 230-400-50

RANGE NAME BY FUEL TYPE

BLU TS Gas

MODEL SIZE (Gas: kW; Oil: kg/h)

BLU 700.1 700 kW

EMISSIONS

LN Standard Class 2 - GAS EN676 (<120 mg/kWh)
Low NOx Class 3 - GAS EN676 (<80 mg/kWh)

OPERATION TYPE

PAB 2 stages soft start
PR 2 stages progressive mechanical
E 2 stages modulating electronic

HEAD TYPE

TC Short head
TL Long head

FUEL

LPG Gas natural
BIOGAS Liquid gas
Biogas

EQUIPMENT

with gas train
HT with gas train + High temperature
HT SP with gas train + High temperature + Special model
SGT Separate gas train
SGT HT Separate gas train + High temperature

ELECTRICAL POWER SUPPLY

230-400-50 230-400 Volt, 50 Hz

Scope of delivery

The burner is delivered in a modular system of packagings i.e. separate set/box:

BBCH: Burner Body with Combustion Head with flange.

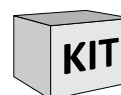
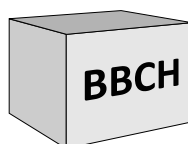
- 1 bag including :- multilanguage technical manual.

- spanner.

- screws, nuts and washer.

GT: separate Gas Train

KIT & ACS are managed and delivered separately



KIT & ACS delivered separately

Function - General safety functions

Description of functions

When the system is switched on for the first time, after a power failure or safety shutdown, after a lack of gas or after the system has been out of operation for 24 hours, the pre-ventilation period begins.

During pre-purge period:

- blower pressure is monitored
- the combustion chamber is monitored for flame signals.

At the end of the pre-purge period:

- ignition is switched on.
- main and safety valve are opened.
- burner starts.

Monitoring

The flame is monitored by an ionisation probe. The probe is insulated and fitted to the gas head and is routed through the flame disc into the flame zone. The probe must not have any electrical contact with earthed parts. The burner switches to lock-out if a short circuit occurs between the probe and the burner earth. During burner operation, an ionised zone is produced in the gas flame through which a rectified current flows from the probe to the burner head.

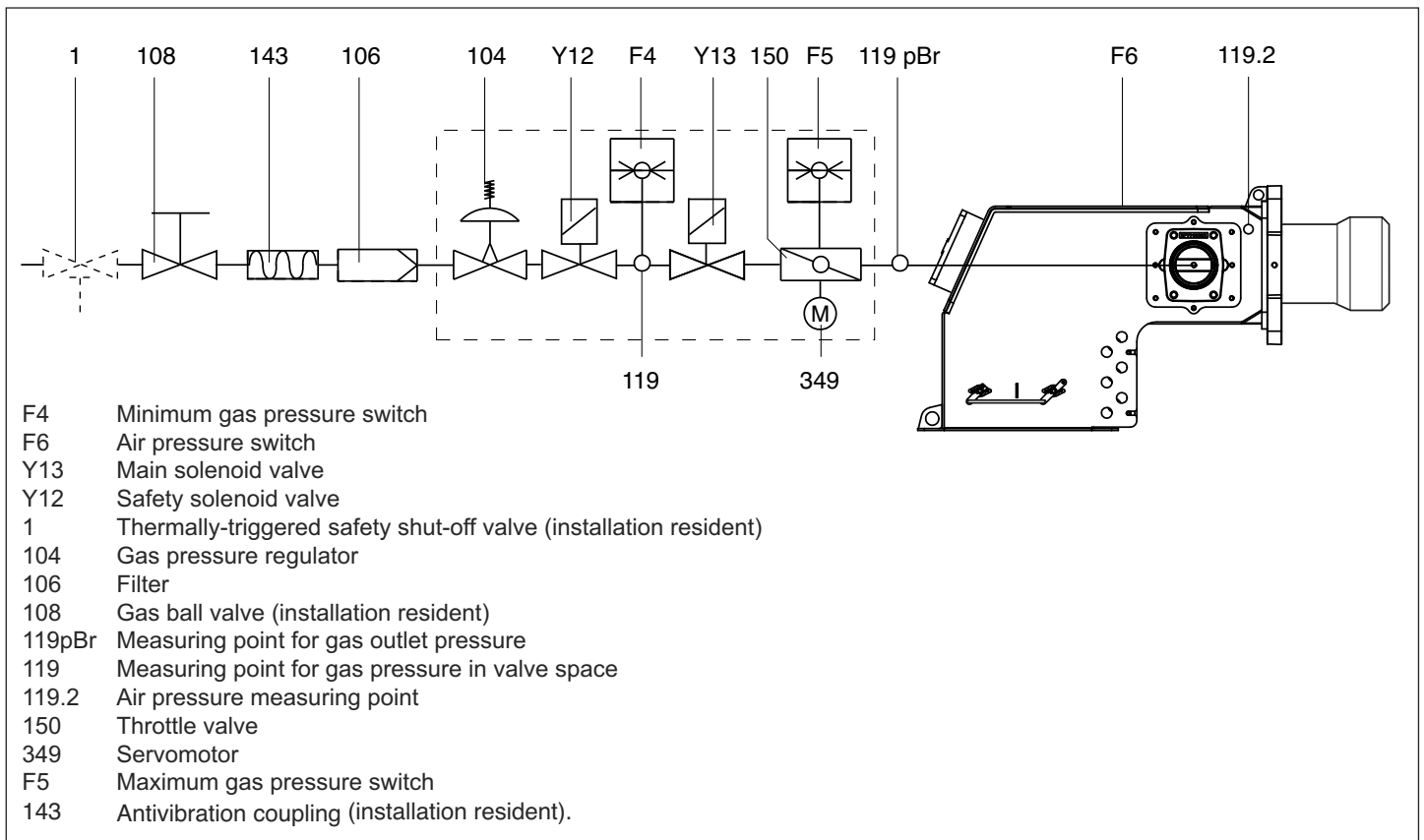
Safety functions

- If no flame is produced when the burner is started (gas release), the burner will be switched off at the end of the safety period, lasting no more than 3 seconds, and the gas valve will close.
- If the flame goes out during operation, the gas supply is interrupted within one

- second and the control unit goes to block.
- If there is a lack of air during reventilation or operation, a safety lock-out occurs.
- If there is a lack of gas, the burner does not begin operation or switches off.

In the event of controller shutdown

- Controller thermostat interrupts heat request.
- Gas solenoid valves close.
- Flame goes out.
- Burner motor switches off.
- Burner is ready for operation.




Function - Lamtec BT330 control and safety unit



The control and safety unit BT 3xx controls and monitors the forced draught burner. The microprocessor-controlled program sequence ensures the maximum consistency of the cycle times involved, regardless of fluctuations in the mains voltage or ambient temperature. The control and safety unit is designed to detect power failures. Depending on the parameter assignment, the unit either switches to malfunction mode or goes into the standby position if the power supply falls below the mains voltage. In the standby position, there is an automatic restart as soon as the set threshold value is exceeded by 105%.

Manual locking and unlocking

Using the reset button , the control and safety unit can be locked manually (interlocked) or unlocked, provided the unit is connected to the mains power supply. This function must not be confused with automatic locking and fault acknowledgement in case of an error.

! Always switch off the power supply before installing or removing the control unit. Do not attempt to open or carry out repairs on the control unit.

Pressing the unlocking button on the unit for	... causes ...
... 1 second ...	the control unit to unlock.
... 4 seconds ...	the control unit to unlock.



Moves the cursor upwards.



Moves the cursor downwards.



Increases the marked value.



Reduces the marked value.



Modifies/Confirms the value shown.

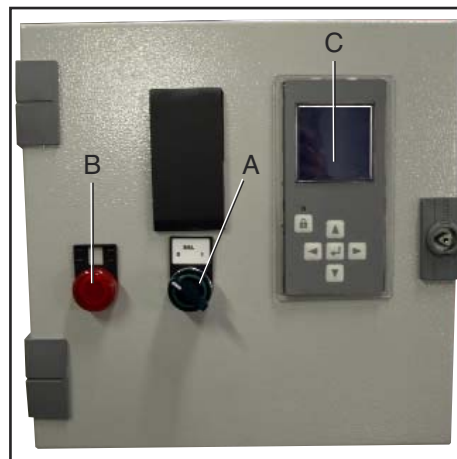


Unlocks the control unit.



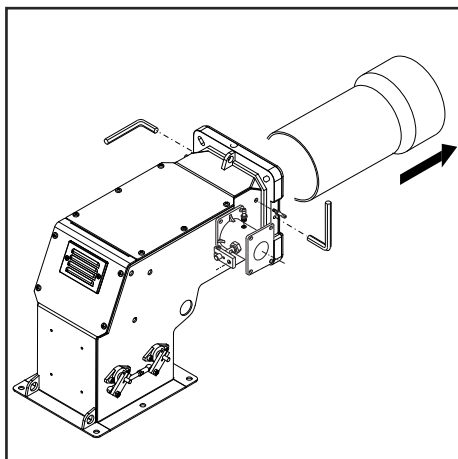
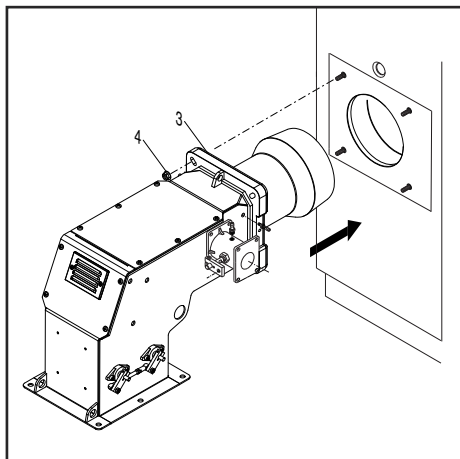
Red LED (flashes if a fault is present).

Function - Control panel



- A main switch I/O
- B thermal lock-out lamp
- C display

Installation - Burner assembly



Burner assembly

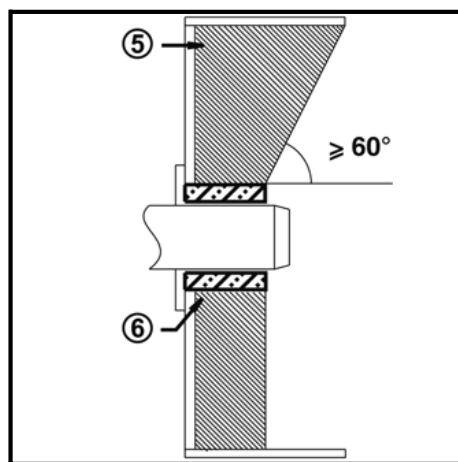
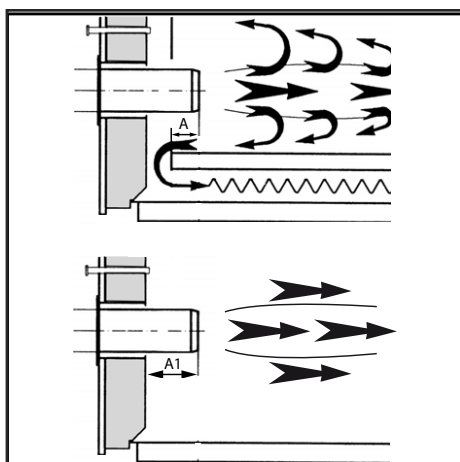
The burner is fixed to the boiler.

Installation:

- fix the flange 3 to the boiler with the screws 4

Removal:

- loosen the screws and remove the burner.



Burner blast tube insertion depth and brickwork

Unless otherwise specified by the boiler manufacturer, heat generators without a cooled front wall require brickwork or insulation 5 as shown in the illustration. The brickwork must not protrude beyond the leading edge of the blast tube, and should have a minimum conical angle of 60°. Gap 6 must be filled with an elastic, non-combustible insulation material. For boilers with reverse firing, the minimum burner tube insertion depth A as specified in the boiler manufacturer's instructions must be observed.

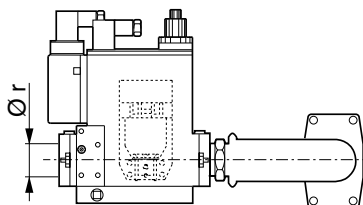
On boilers the blast tube insertion depth should be observed as per the boiler manufacturer's instructions.

Reverse flame boiler : A = 50-100 mm.
Three pass boilers : A1 = 50-100 mm.

Gas lines

When installing the gas lines and gas train, the general EN676 directives and guidelines must be observed.

Additional accessories and kits shall be installed by the installer in accordance to the local safety regulations and codes of practise.



General regulations applying to the gas connection

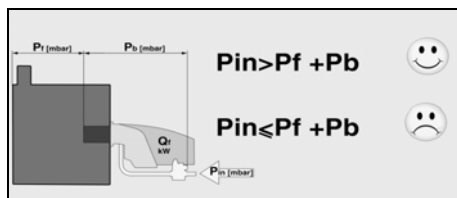
- The gas train must only be connected to the gas mains by a recognised specialist.
- The cross-section of the gas line should be of a size designed to guarantee that the gas flow pressure does not drop below the specified level.
- A manual shut-off valve (not supplied) must be fitted upstream of the gas train.

LEGENDA

Pf: Back pressure of furnace

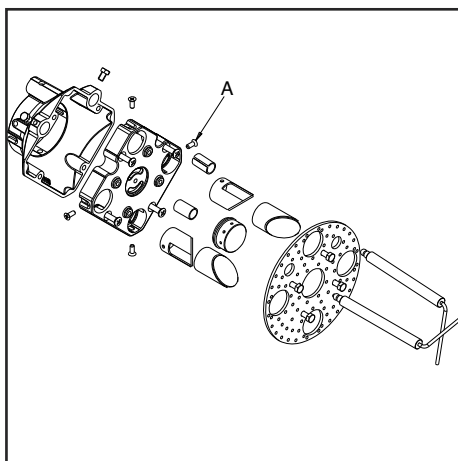
Pb: Pressure of burner (combustion head + complete gas train)

Pin: Minimum inlet pressure



Exhaust system

To avoid unfavourable noise emissions, right-angled connectors should not be used on the flue gas side of the boiler.



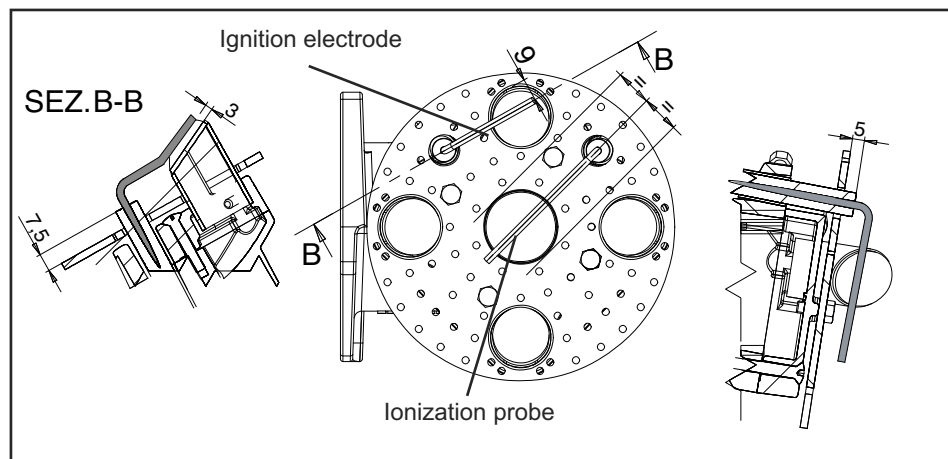
LPG TRANSFORMATION

KITLPG	
KITLPG-BLU500.1	3124487
KITLPG-BLU700.1	3124488
KITLPG-BLU1000.1-1500.1	3124489

In order to change the burner operation from natural gas to LPG you have to follow these instructions :

- Remove the blast tube.
- Remove the ignition electrode.
- Replace 4 Diffusers with LPG version, remove A screws.
- Remove the disc.
- Replace Tooth with LPG version.
- Install the disc and ignition electrode correctly.
- Replace the blast tube with LPG version.

Installation - Electrical connection - Checks before commissioning



Electrical connection

The electrical installation and connection work must only be carried out by an authorised electrical specialist. All applicable rules and regulations must be observed.

The electrical installation should include a type A circuit breaker.

The applicable guidelines and directives must be observed, as well as the electrical circuit diagram supplied with the burner!

- Check to ensure that the power supply voltage is as specified in the electric diagram and in data plate.
- Burner fuse: 5 A.

Electrical connection (plug-in)

It must be possible to disconnect the burner from the mains using an omnipolar shutdown device complying with the standards in force. The burner and heat generator (boiler) are connected to the terminal block of the cabinet (fig.1).

Connecting the gas train

Connect the gas train to the plugs on the burner (fig.2).

The burners are produced with connections suitable for power supply 400 V three-phase.

The burners with electric motors of an output lower or equal to 7,5 kW can be

adapted to 220-230 V (please follow the instructions on the backside); motors with higher output can only work 380-400 V three-phase.

In case of request of burners different from the above mentioned standard, it is recommended to make specific mention in the order.

Instructions: how to adapt electric motors of an output lower or equal to 7,5 kW to 220-230 V power supply

It is possible to change the voltage of the burner by operating as follows:

1. change the connection inside the electric box of the motor, from star to delta (see picture 3);
2. change the setting of the thermal relay, referring to the absorption values indicated in the motor nameplate. If necessary, replace the thermal relay with another one of suitable scale.

This operation is not possible on motors above 7.5 kW.

For more information, please contact the Ecoflam staff.

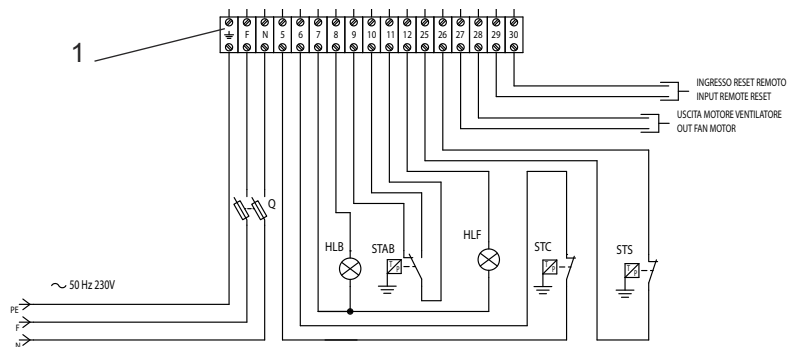
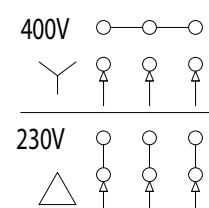
Position of electrodes

Setting the ionisation probe and ignition electrode: see diagram
Always check the position of the electrodes after service or substitution or assembly of LPG kit as wrong position might cause ignition problem.

Checks before commissioning

The following must be checked before initial commissioning:

- That the burner is assembled in accordance with the instructions given here.
- That the burner is pre-set in accordance with the values in the adjustment table.
- Setting the combustion components.
- The heat generator must be ready for operation, and the operating regulations for the heat generator must be observed.
- All electrical connections must be correct.
- The heat generator and heating system must be filled with water and the circulating pumps must be in operation.
- The thermostats, pressure regulator, low water detectors and any other safety or limiting devices that might be fitted must be connected and operational.
- The exhaust gas duct must be unobstructed and the secondary air system, if available, must be operational.
- An adequate supply of fresh air must be guaranteed.
- The heat request must be available.
- Sufficient gas pressure must be available.
- The fuel supply lines must be assembled correctly, checked for leaks and bled.
- A standard-compliant measuring point must be available, the exhaust gas duct up to the measuring point must be free of leaks to prevent anomalies in the measurement results.



Start up - Adjusting burner output

Adjusting the maximum air flow rate

Air and Gas adjustment are accomplished through BT3XX parameters setting. Refer to BT3XX manual attached.

Adjusting the minimum capacity of the burner

Air and Gas adjustment are accomplished through BT3XX parameters setting. Refer to BT3XX manual attached.

Adjusting the intermediate capacity of the burner

Gas adjustment is accomplished through BT3XX parameters setting. Refer to BT3XX manual attached.

Adjustment of gas solenoid valve

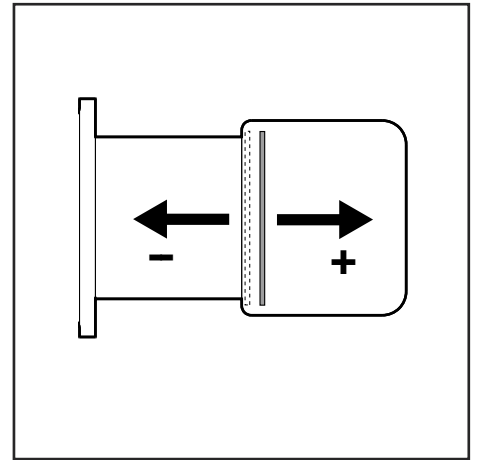
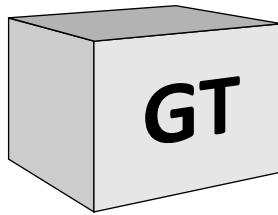
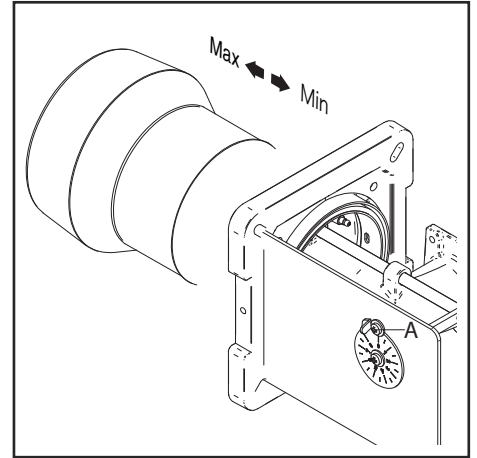
Refer to the gas train manual for the gas setting of the gas train selected.

N.B. observe the minimum required flue gas temperature specified by the boiler manufacturer and the requirements demanded of flue gas ducts for avoiding condensation.

Firing head setting

The firing head position adjustment is made in order to obtain the best combustion efficiency. When used with minimum outputs the firing head is adjusted in rear position. With high output, the firing head is adjusted in forward position. Adjustment:

- loosen screw A.
- adjust the combustion head until is reached the desired position.
- tighten screw A.



Risk of air blast! Continuously check CO, CO₂ and soot emissions when adjusting the output of the burner. Optimise combustion values in the event of CO formation. CO must not exceed 50 ppm.

Start up - Air pressure switch adjustment - Setting gas pressostat

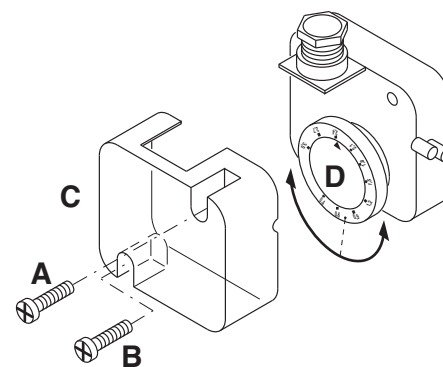
Air pressure switch calibration

The air pressure switch is provided for monitoring the pressure of the combustion air fan.

Unscrew screws A and B and remove cover C.

After the air and gas setting you have to calibrate the air switch with the burner working on the low flame by slowly turning the relative knob clockwise until the burner locks out. Read the value and then decrease it by 15%.

WARNING: the air pressure switch shall prevent the air pressure to go below 85% from the adjustment value in order to prevent the CO in the fumes to exceed 1% (10000 ppm).

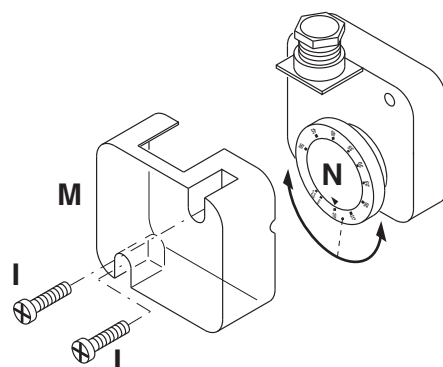


Min gas pressure switch

The gas pressure switch has the function to check that the gas pressure before the gas valve does have the minimum pressure to make the burner running correctly.

Unscrew off and remove cover M.

- Set knob N to a value equal to 60% of gas nominal feed pressure (i.e. for natural gas nom. pressure = 20 mbar, set knob to a value of 12 mbar; for LPG nom. pressure of G30/G31- 30/37 mbar, set knob to a value of 18 mbar). Screw up cover M.



Operating check

Flame monitoring must be checked for safety as part of initial commissioning and also after servicing or if the system has been out of operation for any significant period of time.

- Start attempt with gas ball valve closed: the automatic combustion control unit must switch to gas shortage or malfunction after the end of the safety period.

Service - Maintenance

Burner and boiler servicing must only be carried out by qualified personell. The system operator is advised to take out a service contract to guarantee regular servicing.

temperature is more than 30°C above the value measured at the time of commissioning.

- To simplify the check, use a flue gas temperature indicator.

Attention

- Disconnect the electrical supply before carrying out any maintenance or cleaning work.
- The blast tube and firing head may be hot.

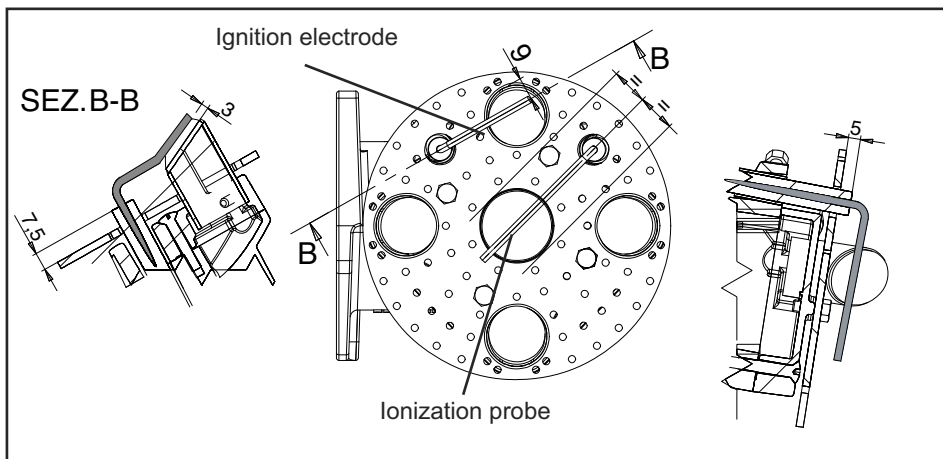
Checking the exhaust gas temperature

- Check the flue gas temperature at regular intervals.
- Clean the boiler if the flue gas

Maintenance on the burner

- Check gas supply components (tubes, lines) and their connections for leaks or signs of wear, replace if necessary.
- Check electrical connections and connection cables for damage, replace if necessary.
- Check gas filter, clean or replace as necessary.
- Clean fan wheel and housing and check for damage.
- Check and clean the mixing unit.
- Check ignition electrodes block, readjust or replace as necessary.
- Start burner, check flue gas data, correct burner settings if necessary.

- Check the setting for air pressure switch and gas pressostat.
- Check the gas train settings.
- Carry out an operating check.



Service - Troubleshooting

Fault diagnosis and repair

In the event of a malfunction, first check that the prerequisites for correct operation are fulfilled:

1. Is the system connected to the power supply?
2. Is there any gas pressure?
3. Is the gas shut-off valve open?
4. Are all control and safety devices, such as the boiler thermostat, low

Maintenance

Annual check

The burner (combustion head, electrodes, etc.) must be checked regularly by an authorized technician, once or twice a year, depending on how much it is used. Before proceeding with the maintenance check-up on the burner, it is advisable to check the general condition of the burner and take the following steps:

- Disconnect the burner (remove the plug).
- Close the gas shut-off cock.
- Remove the cover from the burner, clean the fan and air intake.
- Clean the combustion head and check the position of the electrodes.
- Re-install the parts.
- Check the seal on the gas connectors.
- Check the state of the flue.
- Start the burner.
- Check the combustion parameters

Before taking any action check:

- That there is power in the circuit and the burner is connected;
- That the gas pressure is right and the gas shut-off cock is open;
- That the control systems are properly connected. If all these conditions have been satisfied, start the burner by pressing the reset button.
- Check the burner cycle.

If the burner fails to start:

check the switch, the thermostats, the

water level detector, limit switch, etc. adjusted correctly?

If the malfunction persists, use the following table.

It is not permitted to repair any components relevant to safety. These components must be replaced by parts with the same order number.

motor and the gas pressure.

If the burner proceeds with pre-ventilation but cuts out at the end of the cycle:

- Check the air pressure and the fan.
- Check the air pressure switch.

If the burner proceeds with pre-ventilation but does not light:

- Check the installation and position of the electrodes.
- Check the ignition cable.
- Check the ignition transformer.
- Check the safety device.

If the burner lights but cuts out after the safety interval:

- Check that the phase and neutral wires are connected correctly.
- Check the gas solenoid valve.
- Check the position and connection of the detector electrode.
- Check the detector electrode. Check the safety device.

If the burner lights but cuts out after operating for a few minutes:

- Check the pressure regulator and gas filter.
- Check the gas pressure with a pressure gauge.
- Check the detector value.

Only use original spare parts.

NB: after each operation:

- under normal operating conditions (doors closed, hood fitted, etc.), check combustion and check the individual lines for leaks.
- Record the results in the relevant documents.

Contenuti generali - Indice - Avvertenze generali

Panoramica	Dati tecnici	3
	Dimensioni d'ingombro	4
Contenuti generali	Indice	15
	Avvertenze generali	15
	Descrizione del bruciatore	16
Funzione	Funzioni generali di sicurezza	17
	Programmatore di comando e sicurezza LAMTEC	18
Installazione	Montaggio del bruciatore	19
	Connessione elettrica	20
	Controlli da eseguire prima della messa in funzione	20
Messa in funzione	Regolazione del bruciatore	21
	Regolazione dei pressostati aria e gas	22
Assistenza	Manutenzione	23
	Possibili inconvenienti	24
Panoramica	Schemi elettrici	66-67
	Parti di ricambio	68-70
Contenuti generali	Dichiarazione di conformità	71

Avvertenze importanti

I bruciatori BLU sono progettati per la combustione di gas naturale e di gas propano, con basse emissioni inquinanti. I bruciatori sono conformi alla norma EN 676, dal punto di vista della progettazione e del funzionamento. Montaggio, messa in funzione e manutenzione devono essere eseguiti esclusivamente da personale tecnico autorizzato, nel rispetto delle direttive e delle prescrizioni in vigore.

Descrizione del bruciatore

I bruciatori BLU sono progressivi, a funzionamento completamente automatico in esecuzione duoblocco. La costruzione speciale della testa di combustione permette di ottenere una combustione con un debole tasso di ossidi di azoto e un coefficiente di rendimento elevato. I valori delle emissioni corrispondono alla classe 3, come definita da EN676 (NOx<80mg/kWh). A seconda della geometria del focolare, della carica e del sistema di combustione (caldaia a tre percorsi, caldaia a combustione inversa), si possono riscontrare valori di emissione diversi. Sono adatti per l'allestimento di tutti i generatori di calore conformi alla norma EN 303 o degli aerotermini secondo DIN 4794 o DIN 30697 nell'ambito del rispettivo

range di potenza. Per ogni altro utilizzo è necessaria l'autorizzazione della Ecoflam. Al fine di garantire un funzionamento sicuro, non inquinante ed a basso consumo energetico, è necessario rispettare le seguenti norme:

EN 676

Bruciatore di gas ad aria soffiata

EN 226

Allacciamento di bruciatori di gasolio a nebulizzazione e bruciatori di gas ad aria soffiata su generatori di calore

EN 60335-1, -2-102

Sicurezza degli apparecchi elettrici per uso domestico, norme particolari per gli apparecchi con combustione a gas.

Luogo di installazione

Il bruciatore non dev'essere messo in funzione in locali in cui siano presenti vapori aggressivi (ad es. lacca per capelli, percloroetilene, tetracloruro di carbonio), notevole accumulo di polvere o forte umidità dell'aria (ad es. lavanderie). Una adeguata ventilazione deve essere fornita nel locale dell'installazione in modo da garantire le condizioni per una buona combustione.

Si possono riscontrare scostamenti dovuti ad eventuali normative locali.

Si esclude qualsivoglia responsabilità per eventuali danni derivanti dalle seguenti cause:

- utilizzo non conforme.
- montaggio difettoso e/o riparazione a cura dell'acquirente o terzi, ivi inclusa l'applicazione di elementi di origine estranea.

Consegna e istruzioni per l'uso

Il costruttore dell'impianto di combustione è tenuto a consegnare al gestore dell'impianto, al più tardi all'atto della consegna dello stesso, le istruzioni per l'uso e la manutenzione. Queste istruzioni devono essere appese nel locale di installazione del generatore termico in modo ben visibile. Devono essere indicati l'indirizzo ed il numero telefonico del punto di assistenza più vicino.

Avvertenza per il gestore

L'impianto dev'essere controllato almeno una volta l'anno da un tecnico specializzato. Al fine di garantire un'esecuzione regolare, si suggerisce di stipulare un contratto per la manutenzione dell'impianto.

I bruciatori Ecoflam sono stati progettati e costruiti nel rispetto delle normative e direttive correnti. Tutti i bruciatori rispondono alle normative sulla sicurezza e sul risparmio energetico nel limite del campo di lavoro dichiarato.

La qualità del prodotto è garantita dal sistema di certificazione in base alla norma ISO 9001:2008.



Contenuti generali - Descrizione del bruciatore

BLU TS 1500.1 PR TC - HT SP 230-400-50

NOME

BLU TS Gas

MODELLO (Gas: kW; Gasolio: kg/h)

BLU 1500.1 1550 kW

EMISSIONI

Standard Classe 2 - GAS EN676 (<120 mg/kWh)
LN Low NOx Classe 3 - GAS EN676 (<80 mg/kWh)

TIPO DI FUNZIONAMENTO

PAB 2 stadi
PR 2 stadi progressivo meccanico
E 2 stadi progressivo elettronico

TIPO TESTA

TC Testa corta
TL Testa lunga

COMBUSTIBILE

Gas naturale
LPG Gas propano
BIOGAS Biogas

EQUIPAGGIAMENTO

con rampa gas
HT con rampa gas + Alte temperature
HT SP con rampa gas + Alte temperature + modello speciale
SGT Rampa gas separata
SGT HT Rampa gas separata + Alte temperature

TENSIONE DI ALIMENTAZIONE

230-400-50 230-400 Volt, 50 Hz

Imballaggio

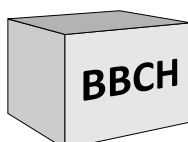
Il bruciatore è consegnato con un sistema modulare di imballo (scatole separate):

BBCH: Bruciatore completo con testa di combustione e flangia.

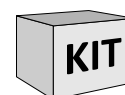
- 1 sacchetto : - manuale tecnico in multilingue.
- chiave esagonale.
- viti, dadi e rosette.

GT: Rampa Gas separata

KIT & ACS ordinabili e consegnati separatamente



KIT & ACS ordinabili e consegnati separatamente



Funzione - Funzioni generali di sicurezza

Descrizione del funzionamento

Alla prima messa sotto tensione, dopo un'interruzione di corrente e una fase di messa in sicurezza, dopo un'interruzione di gas o dopo un arresto di 24 ore, comincia un tempo di preventilazione.

Durante il tempo di preventilazione:

- la pressione dell'aria viene monitorata.
- controllo della presenza di eventuali segnali di fiamma anomali.

Al termine del tempo di preventilazione

- l'accensione è inserita.
- l'elettrovalvola principale e di sicurezza è aperta.
- il bruciatore si avvia.

Sorveglianza

La fiamma viene monitorata da una sonda di ionizzazione. La sonda è montata in modo isolato sulla testa del gas ed è diretta attraverso il disco fiamma nella zona della fiamma. La sonda non deve avere alcun contatto elettrico con componenti messi a terra. Se compare un cortocircuito tra la sonda e la massa del

bruciatore, il bruciatore entra in stato di anomalia. Durante il funzionamento, nella fiamma del gas si crea una zona ionizzata, attraverso la quale circola una corrente raddrizzata dalla sonda verso il boccaglio.

Funzioni di sicurezza

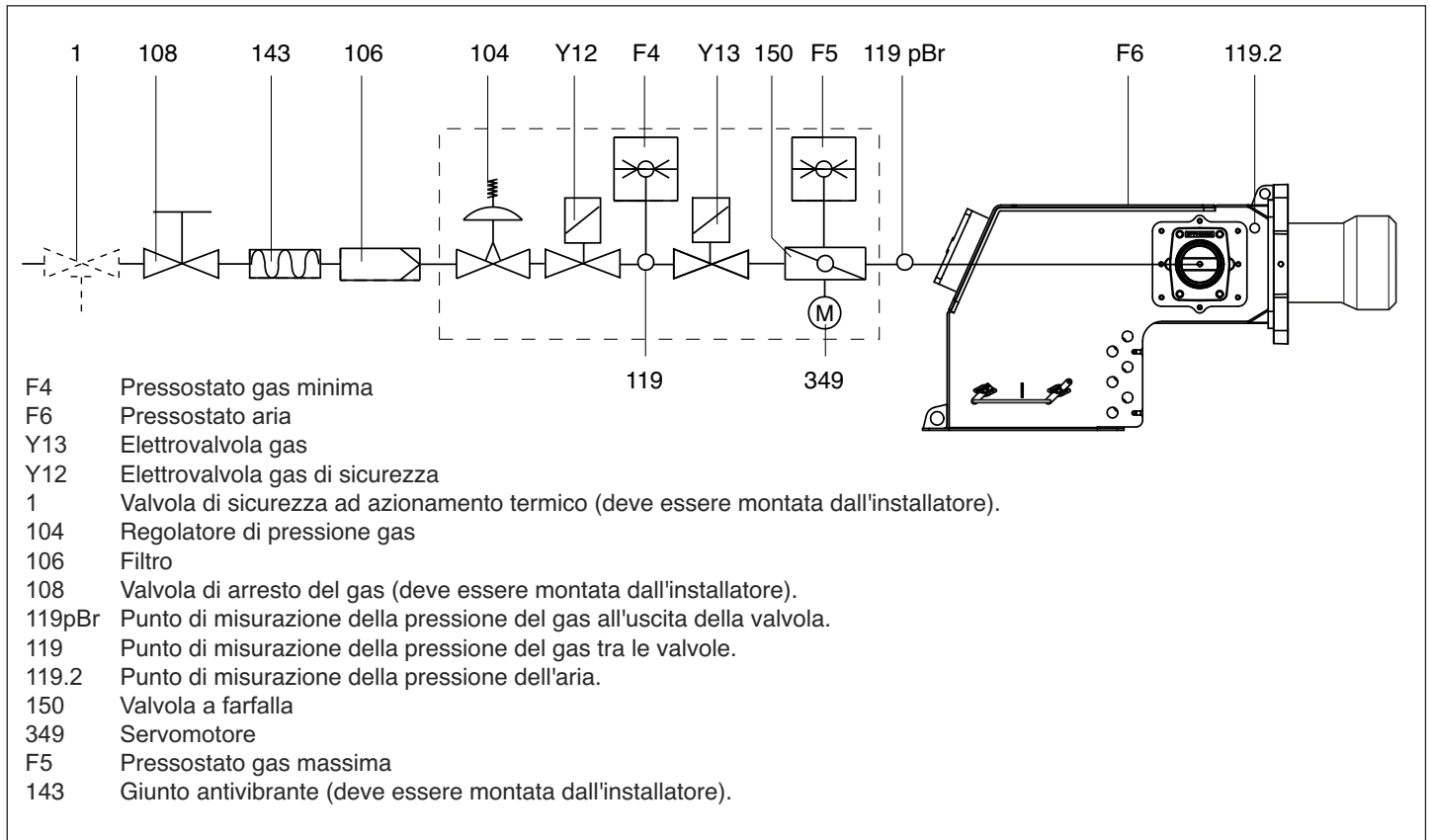
- Se all'avvio del bruciatore (rilascio del gas) non si forma la fiamma, il bruciatore viene arrestato al termine di un intervallo di sicurezza di max. 3 secondi, la valvola del gas si chiude.
- In caso di assenza della fiamma durante il funzionamento, l'alimentazione del gas si interrompe nella frazione di un secondo e l'apparecchio di comando e controllo va in blocco.
- In caso di mancanza d'aria durante la preventilazione o il funzionamento, si instaura una fase di messa in sicurezza.
- In caso di mancanza di gas, il bruciatore non si mette in funzione e/o si arresta.

Arresto di regolazione

- Il termostato di regolazione interrompe la

richiesta di riscaldamento.

- Le valvole gas si chiudono.
- La fiamma si spegne.
- Il motore del ventilatore si ferma
- Il bruciatore è pronto per il successivo funzionamento.




Funzione - Programmatore di comando e sicurezza Lamtec BT330









Il programmatore di comando e sicurezza gas BT 3xx comanda e sorveglia il bruciatore ad aria soffiata. Grazie al programma gestito dal microprocessore si ottengono tempi estremamente stabili, indipendentemente da oscillazioni della tensione di rete o della temperatura ambiente. Il programmatore comprende un dispositivo di protezione dai cali di tensione elettrica. A seconda della parametrizzazione, l'unità o passa alla modalità di malfunzionamento o va in posizione di attesa, se l'alimentazione scende al di sotto della tensione di rete. Nella posizione di attesa, c'è un riavvio automatico non appena il valore di soglia viene superato del 105%.

Bloccaggio e sbloccaggio

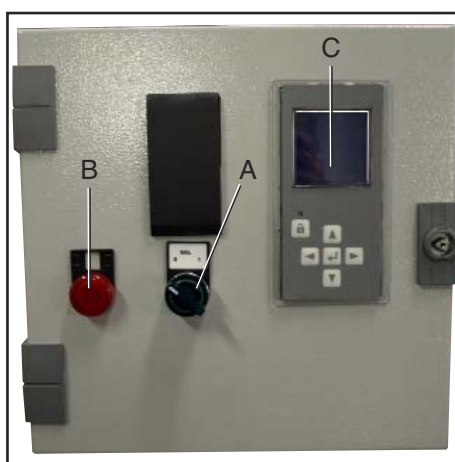
Il programmatore può essere bloccato manualmente (messo in sicurezza) per mezzo del pulsante di blocco  e sbloccato (eliminazione del guasto) a condizione che sia sotto tensione. Questa funzione non deve essere confusa con il bloccaggio automatico e riconoscimento guasto in caso di errore.

! Prima del montaggio o dello smontaggio del programmatore, la tensione dell'apparecchio deve essere disinserita. Il programmatore di comando non dev'essere aperto né riparato.

L'azionamento del pulsante di sblocco del programmatore per... causa
... 1 secondo ...	lo sblocco del programmatore.
... 4 secondi ...	il blocco del programmatore.

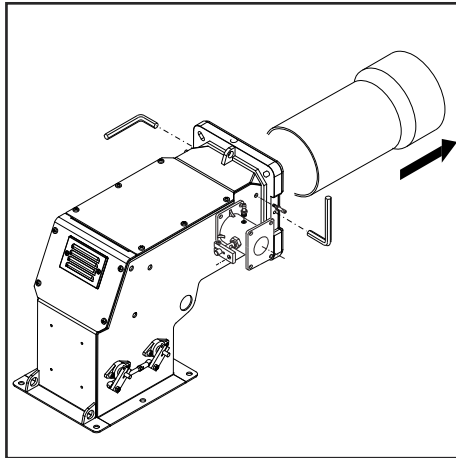
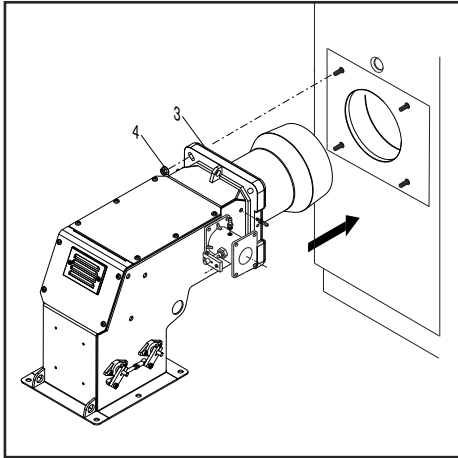
-  Spostamento del cursore verso l'alto.
-  Spostamento del cursore verso il basso.
-  Aumento del valore indicato.
-  Diminuzione del valore indicato.
-  Modifica / Conferma del valore indicato.
-  Sblocco del programmatore.
-  LED rosso (lampeggia in caso di guasto).

Funzione - Pannello di comando



- A interruttore I/O
- B lampada di blocco termico
- C display

Installazione - Montaggio del bruciatore



Montaggio del bruciatore

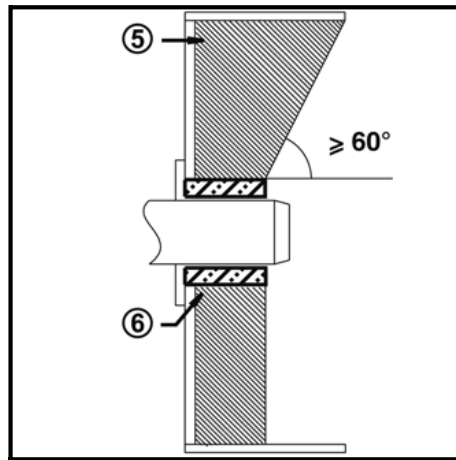
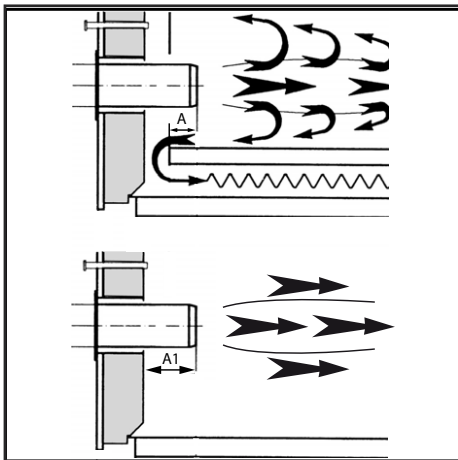
bruciatore viene fissato alla caldaia.

Montaggio :

- Fissare la flangia di attacco 3 alla caldaia con le viti 4.

Smontaggio :

- Allentare le viti e rimuovere il bruciatore.



Profondità di montaggio del bocchaglio del bruciatore e rivestimento refrattario

Per i generatori senza parete anteriore raffreddata e in assenza di indicazioni contrarie da parte del costruttore della caldaia, è necessario eseguire un rivestimento in mattoni o l'isolamento secondo la figura (5) a lato.

Il rivestimento in mattoni non deve sporgere oltre il bordo anteriore del bocchaglio e deve terminare con una conicità massima di 60°. Lo spazio d'aria (6) dev'essere riempito con un materiale isolante elastico, non infiammabile.

Per le caldaie deve essere rispettata la profondità di penetrazione del bocchaglio, in conformità con le indicazioni fornite dal costruttore della caldaia stessa.

Caldaie ad inversione di fiamma :

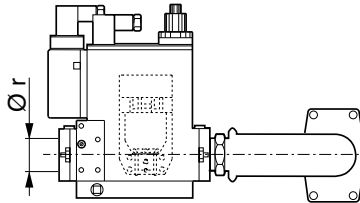
A = 50-100 mm.

Caldaie a tre giri di fumo :

A1 = 50-100 mm.

Linea alimentazione gas

Nell'installazione della linea di alimentazione e della rampa gas bisogna osservare le prescrizioni della EN676. Ulteriori accessori dovranno essere montati dall'installatore per soddisfare eventuali normative locali.



Prescrizioni di ordine generale per l'allacciamento del gas

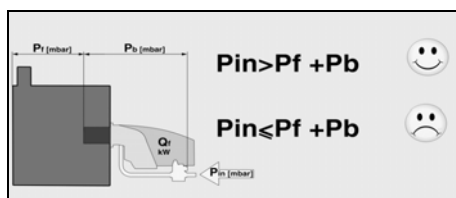
- Il collegamento della rampa gas alla rete del gas deve essere effettuato esclusivamente da un tecnico esperto autorizzato.
- La sezione della tubazione del gas deve essere preparata in modo tale che la pressione di alimentazione del gas non possa scendere al di sotto del valore prescritto.

LEGENDA

Pf: Contropressione al focolare

Pb: Pressione gas bruciatore (testa di combustione + rampa gas)

Pin: Pressione minima di alimentazione



- Una valvola manuale di arresto (non fornita) deve essere montata a monte della rampa gas.

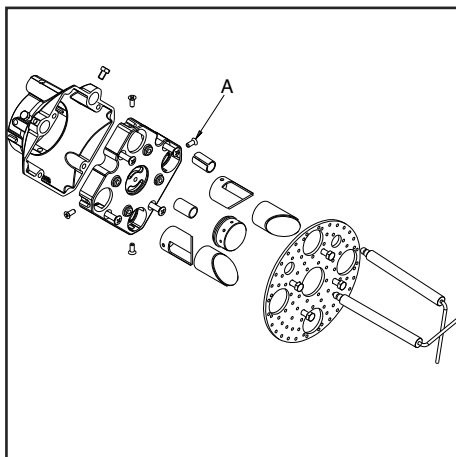
TRASFORMAZIONE LPG

KITLPG

KITLPG-BLU500.1 3124487

KITLPG-BLU700.1 3124488

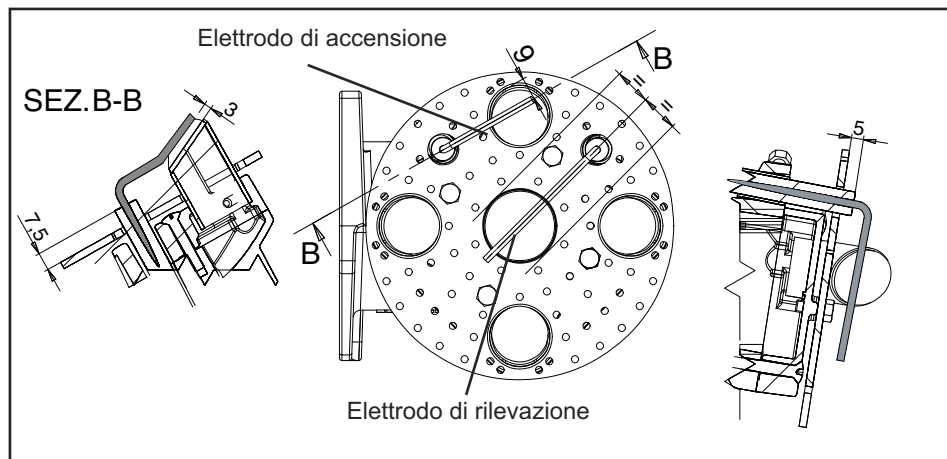
KITLPG-BLU1000.1-1500.1 3124489



Per trasformare il bruciatore da Metano a G.P.L. eseguire le seguenti operazioni :

- Rimuovere il bocchaglio.
- Rimuovere l'elettrodo di accensione.
- Sostituire i 4 diffusori con quelli G.P.L. agendo sulle viti A. - Rimuovere il disco.
- Sostituire il Nasello con quello G.P.L..
- Rimontare correttamente il disco e l'elettrodo di accensione.
- Sostituire il bocchaglio con quello G.P.L..

Installazione - Connessione elettrica - Controlli da eseguire prima della messa in funzione



Allacciamento elettrico

L'impianto elettrico e i lavori di allacciamento devono essere eseguiti esclusivamente da personale specializzato autorizzato. A tal proposito devono essere rispettate le normative e le direttive vigenti. L'impianto d'alimentazione dovrà essere dotato di un interruttore differenziale di tipo A.

Rispettare obbligatoriamente le prescrizioni e le direttive in vigore, oltre allo schema elettrico fornito con il bruciatore!

- Verificare che la tensione di rete corrisponda alla tensione d'esercizio indicata nello schema elettrico e targa dati. Fusibile sulla caldaia: 5 A

Allacciamento elettrico (plug-in)

Il bruciatore deve poter essere scollegato dalla rete mediante uno dei corrispondenti dispositivi di interruzione onnipolari conformi alle norme vigenti. Bruciatori e generatori termici (caldaie) vengono collegati tra di loro mediante una connessione alla morsettiiera del pannello (fig. 1).

Collegamento della rampa gas

Eseguire il collegamento della rampa gas con le prese situate sul bruciatore (fig. 2).

I bruciatori sono prodotti con i collegamenti adatti all'alimentazione 400 V trifase.

I bruciatori con motori elettrici di potenza inferiore o uguale a 7,5 kW possono essere adattati per alimentazione a 220-230 V (seguire le istruzioni sul retro); per i motori con potenze superiori è possibile solo l'alimentazione a 380-400 V trifase. In caso di richiesta di bruciatori diversi dallo standard sopra indicato si raccomanda di farne specifica menzione nell'ordine.

Istruzioni: come adattare motori elettrici di potenza uguale o inferiore a 7,5 kW per alimentazione 220-230 V

E' possibile modificare il voltaggio del bruciatore operando come segue:

1. modificare il collegamento all'interno della scatola di alimentazione del motore elettrico: da stella a triangolo (vedi figura 3);
2. modificare la taratura del relè termico, riferendosi ai valori di assorbimento riportati nella targa dati del motore elettrico. Se necessario, sostituire il relè termico con altro di scala idonea.

Questa operazione non è possibile su motori superiori ai 7,5 kW. Per ulteriori informazioni, vi preghiamo di contattare il personale Ecoflam.

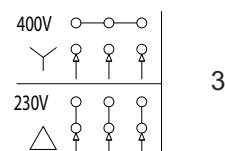
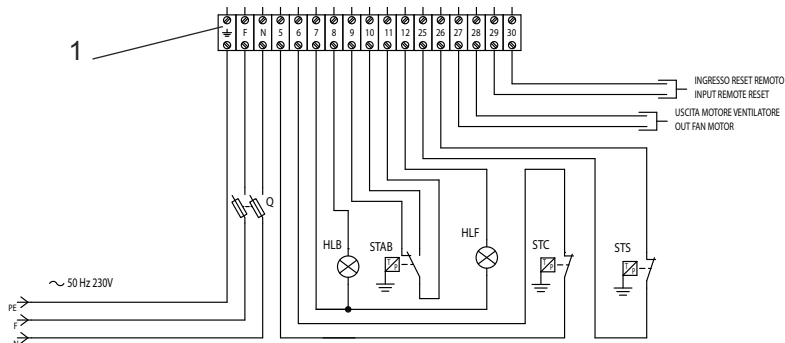
Posizione elettrodi

Verificare sempre la posizione degli elettrodi dopo la loro sostituzione o il montaggio del KIT LPG. Una posizione errata può comportare problemi di accensione o rilevazione.

Controlli da eseguire prima della messa in funzione

Prima della messa in funzione devono essere controllati i seguenti punti.

- Montaggio del bruciatore secondo le presenti istruzioni.
- Preimpostazione del bruciatore secondo le indicazioni riportate nella tabella di regolazione.
- Controllo degli organi di combustione
- Il generatore termico dev'essere pronto per l'uso, le prescrizioni di montaggio del generatore termico devono essere rispettate.
- Tutti gli allacciamenti elettrici devono essere eseguiti correttamente.
- Il generatore termico ed il sistema di riscaldamento sono pieni d'acqua, le pompe di circolazione sono in funzione.
- Termostati, regolatore di pressione, dispositivo di sicurezza in caso di carenza d'acqua ed altri dispositivi limitatori eventualmente installati sono correttamente collegati e funzionanti.
- Le vie di scarico dei fumi devono essere sgombrare, il dispositivo per l'aria secondaria, se presente, dev'essere in funzione.
- Dev'essere garantito un sufficiente apporto di aria pura.
- Dev'essere presente una richiesta di riscaldamento.
- Deve essere disponibile una pressione del gas sufficiente.
- I condotti per il combustibile devono essere installati a regola d'arte, devono essere sottoposti ad un controllo per garantirne l'ermeticità ed essere disaerati.
- Il punto di misurazione previsto dalla norma per il controllo dei fumi di scarico dev'essere presente, il percorso dei fumi sino al punto di misurazione dev'essere a tenuta stagna in modo che i risultati delle misurazioni non possano essere falsati.



Messa in funzione - Regolazione

Regolazione della potenza massima del bruciatore

Le regolazioni dell'aria e del gas sono ottenute impostando i parametri della BT3xx. Fare riferimento al manuale della BT3xx.

Regolazione della potenza minima del bruciatore

Le regolazioni dell'aria e del gas sono ottenute impostando i parametri della BT3xx. Fare riferimento al manuale della BT3xx.

Regolazione delle potenze intermedie del bruciatore

Le regolazioni dell'aria e del gas sono ottenute impostando i parametri della BT3xx. Fare riferimento al manuale della BT3xx.

Regolazione della valvola gas

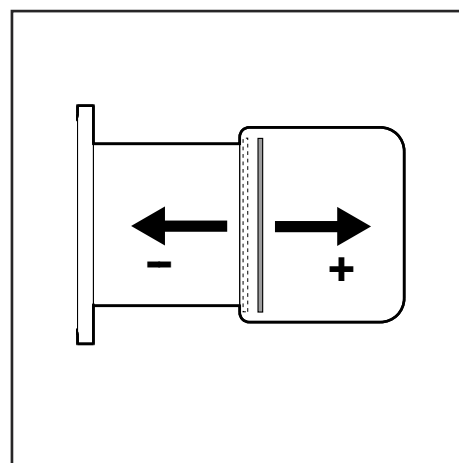
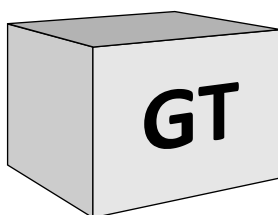
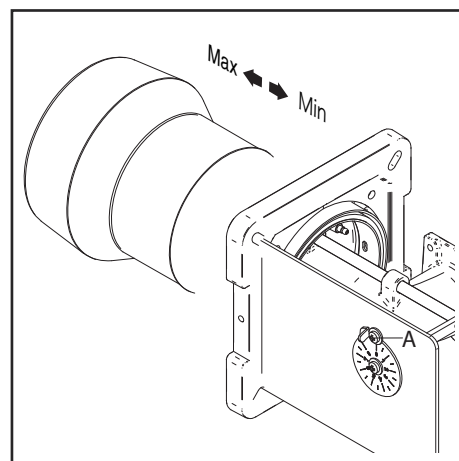
Regolate le valvole gas in base alle istruzioni del manuale della rampa gas.

N.B. rispettate il valore minimo della temperatura fumi specificato dal costruttore della caldaia per evitare la formazione di condensa.

Regolazione della testa di combustione

La regolazione della posizione della testa di combustione viene effettuata per ottenere il miglior rendimento di combustione. Nelle applicazioni alle portate minime del bruciatore la testa viene arretrata, alle potenze massime viene avanzata. Esecuzione :

- allentare la vite A.
- regolare la testa di combustione sino al raggiungimento della posizione desiderata.
- rifissare la vite A.



Pericolo di deflagrazione:

durante le operazioni di regolazione, verificare costantemente le emissioni di CO, CO₂ e l'indice di fumosità. In presenza di formazioni di CO modificare i valori della combustione. Il valore massimo di CO non deve superare i 50ppm.

Messa in funzione - Regolazione dei pressostati aria e gas

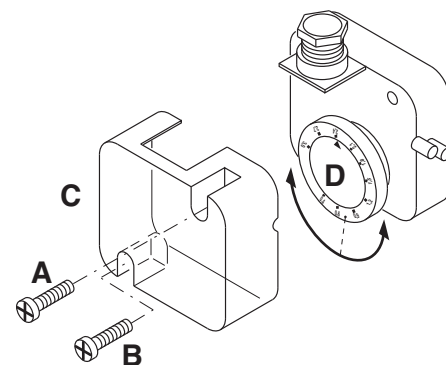
Regolazione del pressostato aria

Il pressostato aria controlla la pressione dell'aria di ventilazione.

Svitare le viti A e B e rimuovere il coperchio C.

Dopo aver tarato l'aria e il gas, con il bruciatore in funzione ruotate lentamente in senso orario la ghiera D fino all'arresto di blocco del bruciatore. Leggete il valore indicato sulla ghiera e riducetelo del 15%. Rimontare il coperchio C e riavvitare le viti A e B.

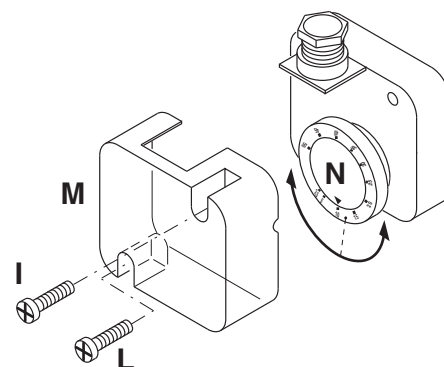
ATTENZIONE: Il pressostato eviterà che la pressione dell'aria non scenda sotto 85% del valore impostato, evitando così che il CO nei fumi superi 1% (10000 ppm).



Regolazione del pressostato gas di minima

Il pressostato gas di minima ha la funzione di controllare la pressione minima del gas prima della valvola gas permettendo al bruciatore di funzionare correttamente.

Svitare le viti I e L e togliere il coperchio M. posizionare il regolatore N ad un valore pari al 60% della pressione nominale di alimentazione gas (es.: per gas metano press. nominale =20 mbar; regolatore posizionato al valore 12 mbar; per G.P.L. pressione nominale G30-G31 30/37 mbar regolatore posizionato al valore di 18 mbar). Rimontare il coperchio M.



Controllo funzionamento

Un controllo di sicurezza del monitoraggio fiamma dev'essere eseguito sia in occasione della prima messa in funzione, sia dopo aver eseguito revisioni o dopo un lungo periodo di inattività dell'impianto.

- Test di messa in moto con il rubinetto del gas chiuso:

l'apparecchiatura di controllo dovrà segnalare il non funzionamento per mancanza gas o andare in blocco al termine del tempo di sicurezza.

Assistenza - Manutenzione

Gli interventi di assistenza sulla caldaia e sul bruciatore devono essere eseguiti esclusivamente da personale tecnico addestrato nel campo del riscaldamento. Al fine di garantire una regolare esecuzione degli interventi di assistenza, si consiglia al gestore dell'impianto di stipulare un contratto di assistenza.

Attenzione

- Prima degli interventi di manutenzione e pulizia, disinserire la tensione.
- Il boccaglio ed i componenti della testa possono essere caldi.

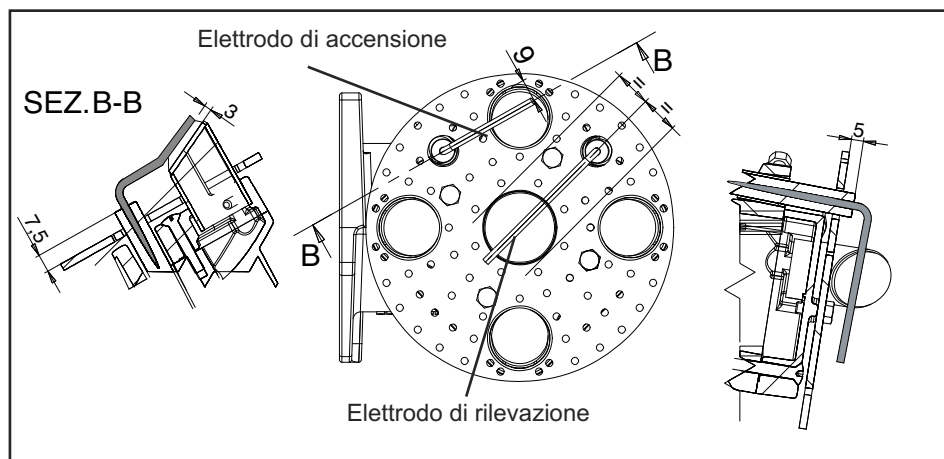
Interventi di manutenzione sul bruciatore

- Controllare i componenti di alimentazione gas (tubazioni, filtri, ecc.) ed i collegamenti per individuare perdite o segni di usura ed eventualmente sostituirli.
- Controllare la presenza di danni su connessioni elettriche e cavi di raccordo ed eventualmente sostituirli.
- Controllare il filtro gas, pulire e, all'occorrenza, sostituzione se necessario.
- Pulire ventola a carter e controllare che non presentino danni.
- Controllare e pulire i dispositivi di miscelazione.
- Controllare gli elettrodi di accensione ed eventualmente regolarli o sostituirli.
- Avviare il bruciatore, controllare i dati

Controllo della temperatura dei fumi di scarico

- Controllare regolarmente la temperatura dei fumi di scarico.
- Pulire la caldaia se la temperatura dei fumi di scarico supera il valore della messa in funzione di oltre 30°C.
- Al fine di semplificare il controllo, installare un display per la visualizzazione della temperatura dei fumi di scarico.

- dei fumi di scarico ed eventualmente correggere le regolazioni del bruciatore.
- Controllare le regolazioni dei pressostati aria e gas.
- Controllare la regolazione della rampa gas.
- Effettuare un controllo del funzionamento.



Assistenza - Possibili inconvenienti

Cause ed eliminazione delle anomalie

In presenza di anomalie, devono essere controllati i presupposti fondamentali per il corretto funzionamento dell'impianto:

1. C'è tensione?
2. C'è la pressione del gas?
3. La valvola di intercettazione del gas è aperta?
4. Tutti gli apparecchi di regolazione e sicurezza come il termostato caldaia, il

Manutenzione

Controllo annuale

Il controllo periodico del bruciatore (testa di combustione, elettrodi, ecc.) deve essere effettuato da personale autorizzato una o due volte all'anno a secondo dell'utilizzo. Prima di procedere al controllo per la manutenzione del bruciatore è consigliabile verificare lo stato generale del bruciatore e seguire le seguenti operazioni:

- Togliere tensione al bruciatore (togliere la spina).
- Chiudere il rubinetto di intercettazione gas.
- Togliere il coperchio del bruciatore, pulire la ventola e l'aspirazione dell'aria.
- Pulire la testa di combustione e controllare la posizione degli elettrodi.
- Rimontare i pezzi.
- Verificare la tenuta dei raccordi gas.
- Verificare il camino.
- Far ripartire il bruciatore.
- Controllare i parametri della combustione.

Prima di ogni intervento controllare:

- Che ci sia tensione elettrica nell'impianto e il bruciatore collegato.
- Che la pressione del gas sia corretta e il rubinetto di intercettazione del gas aperto.
- Che i sistemi di controllo siano regolarmente collegati. Se tutte queste condizioni sono soddisfatte, far partire il bruciatore premendo il pulsante di

dispositivo di sicurezza in caso di carenza d'acqua, il fincorsa, ecc., sono impostati?

Nel caso in cui, dopo il controllo dei punti suddetti, l'anomalia persistesse, usare la seguente tabella.

I componenti di sicurezza non devono essere riparati, bensì devono essere sostituiti con componenti riportanti lo stesso codice articolo.

- sblocco.
- Controllare il ciclo del bruciatore.

Il bruciatore non si avvia:

- Controllare l'interruttore, i termostati, il motore, pressione gas.

Il bruciatore effettua la preventilazione ed al termine del ciclo va in blocco:

- Controllare la pressione dell'aria e la ventola.
- Controllare il pressostato aria.

Il bruciatore effettua la preventilazione e non accende:

- Verificare il montaggio e la posizione degli elettrodi.
- Verificare il cavo di accensione.
- Verificare il trasformatore di accensione.
- Verificare l'apparecchiatura di sicurezza.

Il bruciatore si accende e dopo il tempo di sicurezza va in blocco:

- Controllare fase e neutro che siano collegati correttamente.
- Controllare l'elettrovalvole del gas.
- Controllare la posizione dell'elettrodo di rilevazione e la sua connessione.
- Controllare l'elettrodo di rilevazione.
- Controllare l'apparecchiatura di sicurezza.

Il bruciatore si accende e dopo qualche minuto di funzionamento va in blocco:

- Controllare il regolatore di pressione ed il filtro gas.

Utilizzare esclusivamente pezzi originali del costruttore.

NB: Dopo ogni intervento controllare:

- i valori di combustione in condizioni di esercizio (porta del locale caldaia chiusa, copertura montata, ecc.).
- registrare i valori di combustione nel libretto di centrale.

- Controllare la pressione del gas con un manometro.
- Controllare il valore di rilevazione.

Contenus généraux - Sommaire - Notices générales

Vue d'ensemble	Données techniques	3
	Dimensions	4
Contenus généraux	Sommaire	25
	Notices générales	25
	Description du brûleur	26
Fonction	Fonctions générales de sécurité	27
	Coffret de commande et de sécurité LAMTEC	28
Installation	Montage du brûleur	29
	Raccordement électrique	30
	Contrôles avant la mise en service	30
Mise en service	Réglage du brûleur	31
	Réglage des pressostats d'air et de gaz	32
Maintenance	Entretien	33
	Problèmes possibles	34
Vue d'ensemble	Schémas électrique	66-67
	Pièces de rechange	68-70
Contenus généraux	Déclaration de conformité	71

Mise en garde

Les brûleurs BLU TS sont conçus pour la combustion de gaz naturel et de gaz propane, avec faibles rejets polluants. D'un point de vue conception et fonctionnement, les brûleurs répondent à la norme EN 676. Le montage, la mise en route et l'entretien ne peuvent être exécutés que par des spécialistes autorisés, dans le respect des directives et prescriptions en vigueur.

Description du brûleur

Le brûleur BLU TS progressif, à fonctionnement complètement automatique en exécution duobloque. La construction spéciale de la tête de combustion permet une combustion à un faible taux d'oxyde d'azote et avec un coefficient de rendement élevé. Les valeurs des émissions correspondent à la classe 3, définie par EN676 (NOx<80mg/kWh).

Selon la géométrie du foyer, la charge du foyer et le système de combustion (chaudière à trois parcours, chaudière à foyer borgne), des valeurs d'émission différentes peuvent en résulter. Ils conviennent pour l'équipement de tous les générateurs de chaleur conformes à la norme EN 303, ou de générateurs d'air

chaud selon la norme DIN 4794 ou DIN 30697, dans leur plage de puissances. Toute autre utilisation doit faire l'objet d'une demande d'autorisation auprès d'Ecoflam. Pour un fonctionnement en toute sécurité, respectueux de l'environnement et économe en énergie, il faut prendre en considération les normes suivantes:

EN 676

Brûleurs gaz à air soufflé

EN 226

Raccordement de brûleurs fuel à nébulisation et brûleurs gaz à air soufflé à un générateur de chaleur.

EN 60335-1, -2-102

Sécurité d'appareils électriques pour usage domestique, règles particulières pour les appareils à combustion au gaz.

Lieu d'installation

Le brûleur ne doit pas être mis en service dans des locaux exposés à des vapeurs agressives (p. ex. laque pour cheveux, tétrachloréthylène, tétrachlorure de carbone), poussières importantes ou humidité de l'air élevée (p. ex. dans des buanderies).

Le local d'installation doit être correctement aéré de manière à garantir les conditions pour une bonne combustion. Les dispositions locales peuvent contenir des prescriptions différentes.

Les dommages résultant des causes suivantes ne pourront pas être couverts par la garantie:

- utilisation inappropriée.
- installation et/ou remise en état erronées par l'acheteur ou par un tiers, y compris la mise en place de pièces d'autres origines.

Remise de l'installation et conseils d'utilisation

L'artisan qui réalise l'installation doit donner à l'utilisateur, au plus tard au moment de la réception de l'installation, les notices d'utilisation et d'entretien. Elles doivent être conservées bien visibles dans la chaufferie. L'adresse et le numéro d'appel de la station-service la plus proche doivent y être inscrits.

Conseils à l'utilisateur

L'installation doit être vérifiée au moins une fois par an par un spécialiste. Pour en garantir l'exécution régulière, la conclusion d'un contrat d'entretien est fortement conseillée. contract to guarantee regular servicing.

Les brûleurs Ecoflam ont été conçus et construits dans le respect des réglementations et des directives actuelles. Tous les brûleurs sont conformes aux réglementations relatives à la sécurité et aux économies d'énergie dans la limite du domaine d'utilisation déclaré. La qualité du produit est garantie par le système de certification conformément à la norme ISO 9001:2008.



Contenus généraux - Description du brûleur

BLU TS 1500.1 PR TC - HT SP 230-400-50

NOM

BLU TS Gaz

MODÈLE (Gaz: kW; fioul domestique: kg/h)

BLU 1500.1 1550 kW

ÉMISSIONS

Standard Classe 2 - GAS EN676 (<120 mg/kWh)
 LN Low NOx Classe 3 - GAS EN676 (<80 mg/kWh)

TYPE DE FONCTIONNEMENT

PAB 2 allure
 PR 2 allure progressifs mécanique
 E 2 allure électronique progressive

TYPE TETE

TC Tête courte
 TL Tête longue

COMBUSTIBLE

Gaz Naturel
 LPG Gaz Propane
 BIOGAS Biogas

ÉQUIPEMENT

avec rampe gaz
 HT avec rampe gaz + Les températures élevées
 HT SP avec rampe gaz + Les températures élevées + modèle spécial
 SGT Rampe gaz séparée
 SGT HT Rampe gaz séparée + Les températures élevées

TENSION D'ALIMENTATION

230-400-50 230-400 Volt, 50 Hz

Emballage

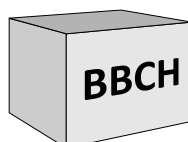
Le brûleur est livré avec un système modulaire d'emballage (boîtes séparées):

BBCH: Brûleur avec une tête de combustion et une bride.

- 1 sachet :
 - manuel technicien dans multilangue.
 - clé six-pans.
 - vis, écrous et rondelles.

GT: Rampe gaz séparée

KIT & ACS commandés et livrés séparément



KIT & ACS commandés et livrés séparément



Fonction - Fonctions générales de sécurité

Description du fonctionnement

Lors de la première mise sous tension, après une coupure de tension ainsi qu'une mise en sécurité, après une coupure de gaz ou après un arrêt de 24 heures commence un temps de pré ventilation.

Pendant le temps de préventilation:

- la pression d'air est surveillée.
- contrôle de la présence d'éventuels signaux de flamme anormaux.

Après l'écoulement du temps de préventilation

- l'allumeur est mis en circuit.
- l'électrovanne principale et de sécurité est ouverte.
- démarrage du brûleur.

Surveillance

La flamme est surveillée par une sonde d'ionisation. La sonde est montée de façon isolée sur la tête gaz et est dirigée à travers le déflecteur dans la zone de la flamme. La sonde ne doit pas avoir de contact électrique avec des pièces mises à la terre. Si un court-circuit apparaît entre

la sonde et la masse du brûleur, le brûleur se met en défaut. En fonctionnement, une zone ionisée naît dans la flamme à travers laquelle un courant redressé circule de la sonde vers le tube du brûleur.

demande de chauffe.

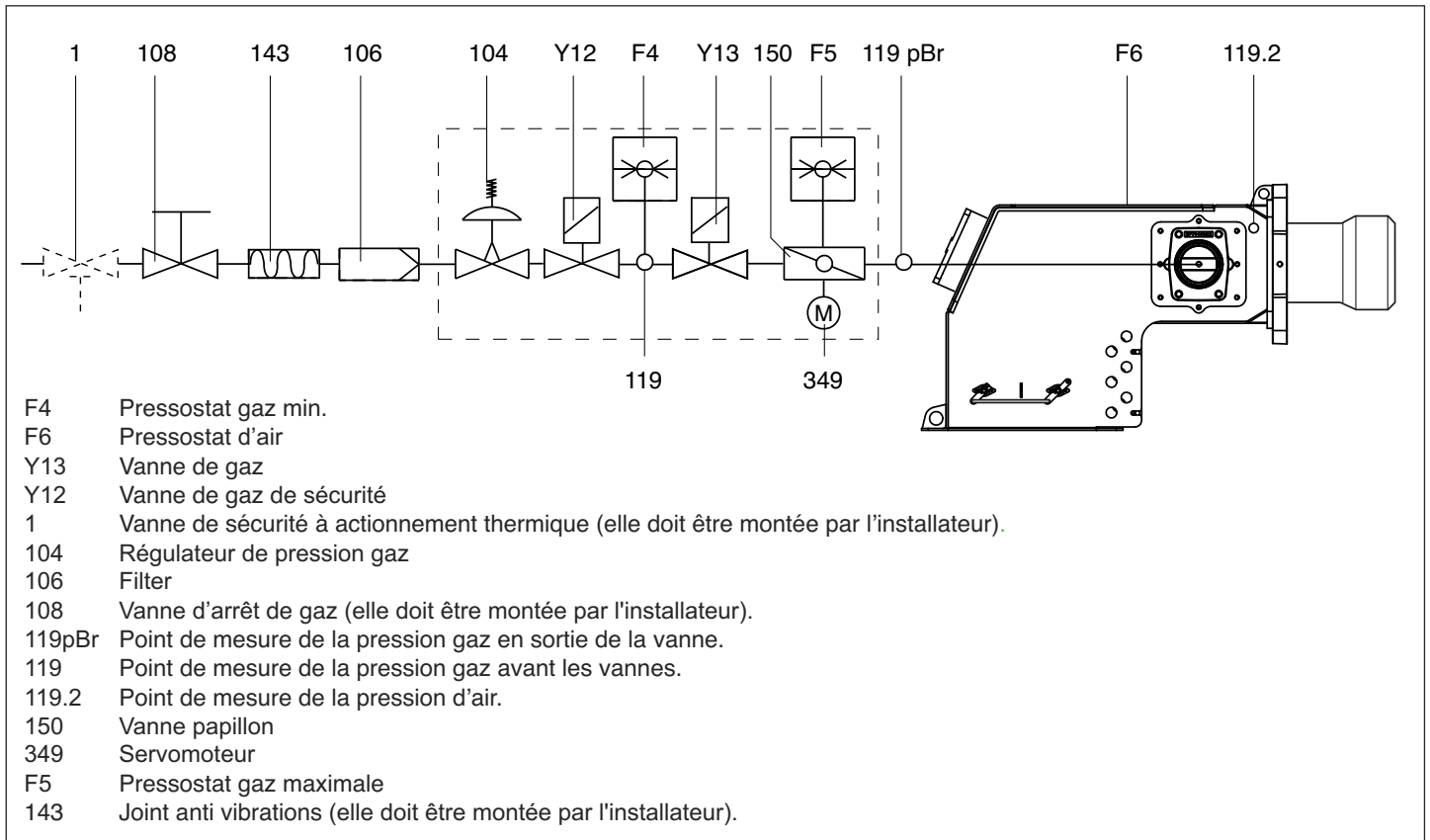
- Les vannes gaz se ferment.
- La flamme s'éteint.
- Le moteur de ventilation s'arrête.
- Le brûleur est prêt à fonctionner.

Fonctions de sécurité

- Si aucune flamme ne se forme au démarrage du brûleur (libération du gaz), le brûleur est coupé après écoulement du temps de sécurité de 3 secondes max., la vanne gaz se ferme.
- En cas de défaillance de la flamme pendant le fonctionnement, l'alimentation en gaz est interrompue en l'espace d'une seconde et l'unité de commande et le contrôle passe au bloc.
- En cas de manque d'air pendant la préventilation ou le fonctionnement, une mise en sécurité intervient.
- En cas de manque de gaz, le brûleur ne se met pas en fonctionnement et/ ou s'arrête.

Lors de l'arrêt de régulation

- Le thermostat de régulation interrompt la




Fonction - Coffret de commande et de sécurité Lamtec BT330










Le coffret de commande et de sécurité BT 3xx pilote et surveille le brûleur à air pulsé. Grâce à la commande du programme par microprocesseur, on obtient des temps de cycle extrêmement stables, indépendamment des variations de tension du secteur ou de la température ambiante. Le coffret de commande et de sécurité est équipé d'une détection de panne secteur. Selon le paramétrage, le coffret passe en défaut ou en position d'attente dès que la tension du secteur est insuffisante. En position d'attente, un redémarrage s'effectue automatiquement dès que la valeur seuil programmée est dépassée de 105 %.

Verrouillage et déverrouillage manuel

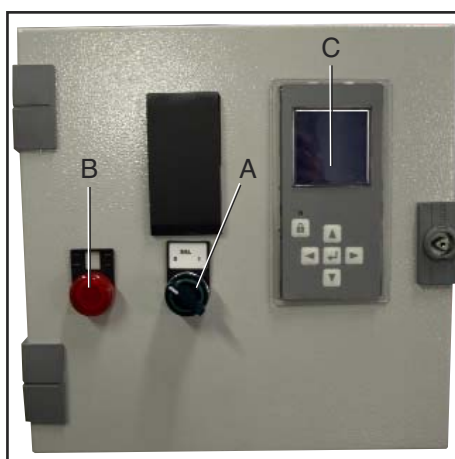
Le coffret peut être verrouillé (protégé) ou déverrouillé manuellement à l'aide du bouton de réarmement , à condition que le coffret soit alimenté en tension. Ne pas confondre cette fonction avec le verrouillage automatique et l'acquittement des défauts en cas de panne.

! Avant le montage ou le démontage du coffret, l'appareil doit être mis hors tension. Il ne faut ni ouvrir ni réparer le coffret.

Le fait d'actionner le bouton de déverrouillage du coffret pendant provoque ...
...1 seconde..	le déverrouillage du coffret.
.. 4 secondes..	le verrouillage du coffret.

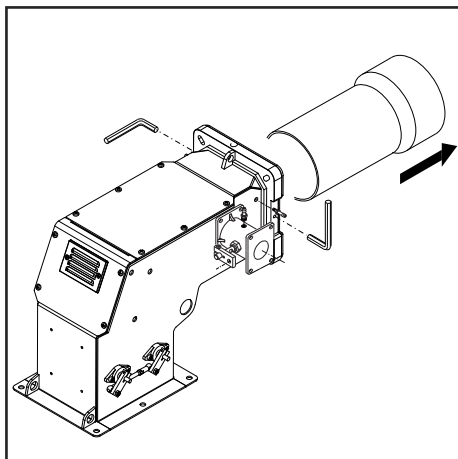
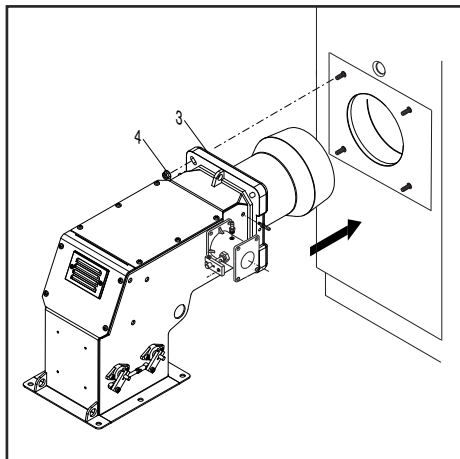
-  Déplacement du curseur vers le haut.
-  Déplacement du curseur vers le bas.
-  Augmentation de la valeur indiquée.
-  Diminution de la valeur indiquée.
-  Modification / Confirmation de la valeur indiquée.
-  Déverrouillage du coffret.
-  Diode lumineuse rouge (clignote en cas de défaut).

Function - Tableau de commande



- A interrupteur I/O
- B lampe de thermal de sécurité
- C display

Installation - Montage du brûleur



Montage du brûleur

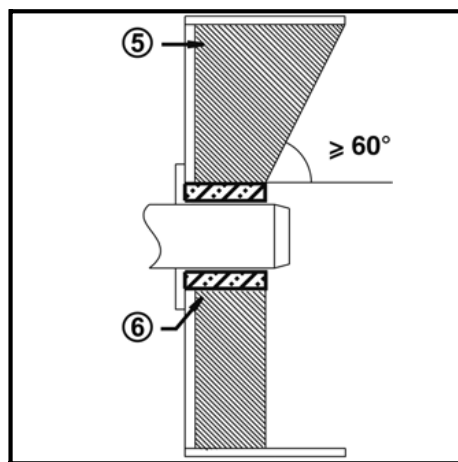
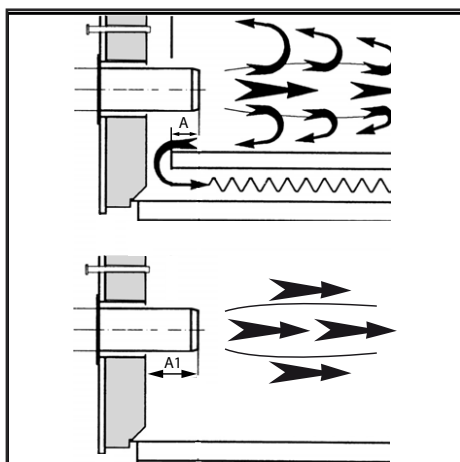
Le brûleur est fixé à la chaudière.

Montage :

- Fixer la bride de fixation 3 à la chaudière au moyen des vis 4.

Démontage :

- desserrez les vis et retirez le brûleur.



Profondeur de montage du tube du brûleur et garnissage en maçonnerie

Pour les générateurs sans paroi avant refroidie et en l'absence d'indications contraires par le constructeur de la chaudière, il est nécessaire de réaliser un garnissage en maçonnerie ou une isolation (5) selon la figure ci-contre. Le garnissage en maçonnerie ne doit pas déborder la bordure avant du gueulard et sa dépouille conique ne doit pas dépasser 60°. L'interstice d'air (6) doit être comblé avec un matériau d'isolation élastique et ininflammable.

Dans les chaudières, la profondeur de pénétration du tube de flamme doit être respectée tout en tenant compte des indications du constructeur de la chaudière.

Chaudières à foyer borgne :

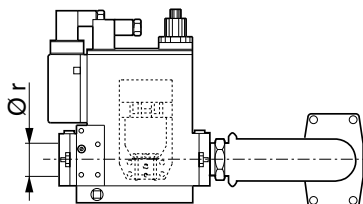
A = 50-100 mm.

Chaudières à trois passes :

A1 = 50-100 mm.

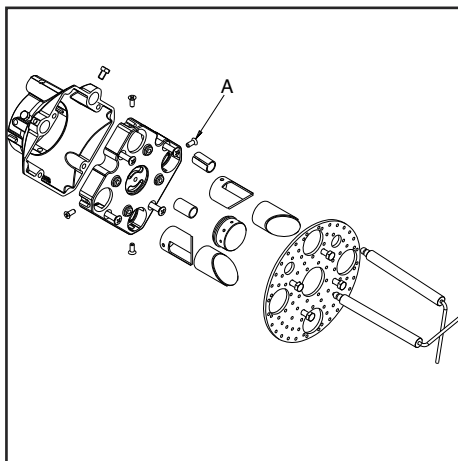
Ligne d'alimentation en gaz

Dans l'installation de la ligne d'alimentation et de la rampe de gaz, il y a lieu de respecter les consignes de l'EN676. D'autres accessoires devront être montés par l'installateur pour satisfaire à d'éventuelles réglementations locales.



Prescriptions d'ordre général pour le raccordement gaz

- Le raccordement de la rampe gaz au réseau de gaz ne peut être réalisé que par un technicien spécialiste agréé.
- La section de la tuyauterie de gaz doit être réalisée de telle sorte que la pression d'alimentation gaz ne tombe pas en dessous de la valeur prescrite.
- Une vanne manuelle d'arrêt (non fournie) doit être montée en amont de la rampe gaz.



Mené des fumées

Au fin d'éviter du bruit non désirées, il est recommandé d'éviter les pièces de raccordement à angles droits lors du raccordement de la chaudière à la cheminée.

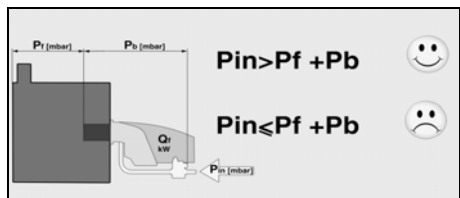
TRANSFORMATION AU GPL

KITLPG

KITLPG-BLU500.1	3124487
KITLPG-BLU700.1	3124488
KITLPG-BLU1000.1-1500.1	3124489

Pour transformer le brûleur du gaz naturel (méthane) au GPL, exécuter les opérations suivantes:

- Enlever le gueulard.
- Enlever l'électrode d'allumage.
- Remplacer les 4 diffuseur par les diffuseur GPL en agissant sur les vis A.
- Enlever de disc.
- Remplacer le Mentonnet par le Mentonnet G.P.L..
- Remonter correctement le disc en l'électrode d'allumage.
- Remplacer le gueulard par le gueulard GPL.



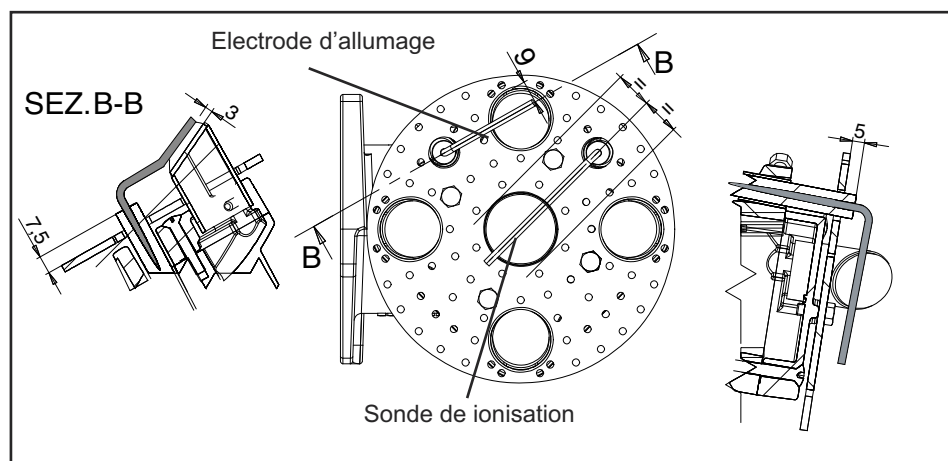
LÉGENDE

Pf: contre-pression dans la chambre de combustion.

Pb: pression du brûleur (tête de combustion + rampe gaz complète)

Pin: pression d'entrée gaz minimale

Installation - Raccordement électrique - Contrôles avant la mise en service



Raccordement électrique

L'installation électrique et les travaux de raccordement doivent être réalisés exclusivement par le personnel qualifié et autorisé.

Les prescriptions et directives en vigueur doivent être respectées.

L'installation d'alimentation devra être munie d'un interrupteur différentiel de type A.

Respecter obligatoirement les prescriptions et les directives en vigueur, outre le schéma électrique fourni avec le brûleur!

- Vérifier si la tension électrique d'alimentation correspond à la tension indiquée dans le schéma électrique et sur la plaque signalétique. Fusible sur la chaudière: 5 A

Raccordement électrique par connecteurs

Le brûleur doit pouvoir être déconnecté du réseau à l'aide d'un dispositif de coupure omnipolaire conforme aux normes en vigueur. Le brûleur et le générateur de chaleur (chaudière) sont reliés entre eux par un connecteur. Le brûleur et le générateur de chaleur (chaudière) sont reliés entre eux par au bornier (fig.1).

Raccordement de la rampe de gaz

Raccorder la rampe de gaz aux prises situées sur le brûleur (fig.2).

Les brûleurs sont fabriqués avec d'appropriées connexions d'alimentation 400 V triphasées.

Les brûleurs équipés de moteurs électriques d'une puissance égale ou inférieure à 7,5 kW peuvent être adaptés à l'alimentation 220-230 V (suivre les instructions au verso); les moteurs de puissance supérieure peuvent seulement fonctionner 380-400 V phase.

En cas de demande de brûleurs avec des standards différents par rapport à ceux dessus mentionnés, il est recommandé d'en faire mention spécifique dans la commande.

Instructions: adapter les moteur électriques d'une puissance égale ou inférieure à 7,5 kW à l'alimentation 220-230 V

Il est possible de modifier la tension du brûleur de la manière suivante:

1. changer le lien à l'intérieur de la boîte du moteur électrique: d'étoile en triangle (voir image 3);
2. modifier le réglage du relais thermique, se référant aux valeurs d'absorption indiquées sur la plaque signalétique du moteur. Si nécessaire, remplacer le relais thermique avec un autre d'échelle appropriée.

Cette opération n'est pas possible sur les moteurs supérieurs à 7,5 kW.

Pour plus de renseignements, s'il vous plaît contacter le personnel Ecoflam.

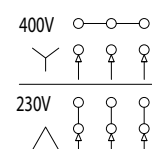
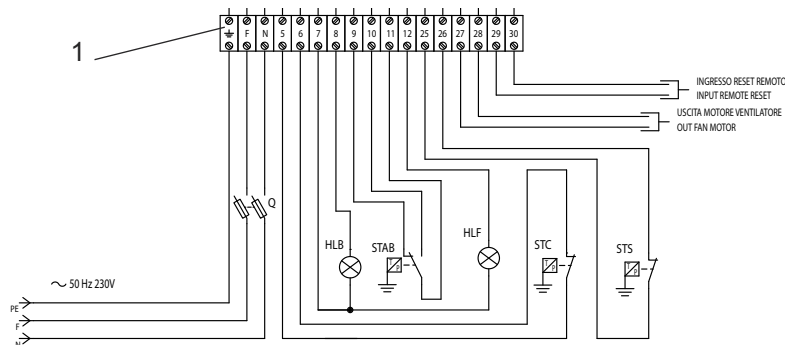
Position électrodes

Toujours vérifier la position des électrodes après leur remplacement ou le montage du KIT LPG. Une position erronée des électrodes pourrait causer des problèmes d'allumage ou de révélation.

Contrôles avant la mise en service

Il convient de contrôler les points suivants avant la première mise en service.

- Montage du brûleur conformément aux présentes instructions.
- Préréglage du brûleur conformément aux indications du tableau de réglage.
- Réglage des organes de combustion.
- Le générateur de chaleur doit être prêt à fonctionner, les prescriptions d'exploitation du générateur de chaleur doivent être respectées.
- Toutes les connexions électriques doivent être réalisées correctement.
- Le générateur de chaleur et le Les données de réglage ci-dessus sont des réglages de base. Les données de réglage d'usine sont encadrées en gras et sur fond gris. Dans un cas normal, ces réglages permettent la mise en service du brûleur. Vérifier en tout état de cause soigneusement les valeurs de réglage. En général, en fonction de l'installation, des corrections doivent être apportées.
- Le système de chauffage sont remplis d'eau, les pompes de circulation sont en service.
- Le régulateur de température, le régulateur de pression, la protection contre le manque d'eau et les autres dispositifs de limitation et de sécurité éventuellement présents sont raccordés et opérationnels.
- La cheminée doit être dégagée et le dispositif d'air additionnel, si présent, en fonctionnement.
- Un apport d'air frais suffisant doit être garanti.
- La demande de chaleur doit être présente.
- Une pression de gaz suffisante doit être disponible.
- Les conduites de combustible doivent être montées dans les règles de l'art, leur étanchéité contrôlée et être purgées.
- Un point de mesure conforme aux normes doit être présent, le conduit de fumée jusqu'au point de mesure doit être étanche, de telle manière que les résultats de mesure ne soient pas faussés.



3

Mise en service - Réglage du brûleur

Réglage de la puissance maximale du brûleur

Ajustements de l'air et du gaz sont obtenues en réglant les paramètres de BT3xx. Référez au manuel de BT3xx.

Réglage de la puissance minimale du brûleur

Ajustements de l'air et du gaz sont obtenues en réglant les paramètres de BT3xx. Référez au manuel de BT3xx.

Réglage des puissances intermédiaires du brûleur

Ajustements de l'air et du gaz sont obtenues en réglant les paramètres de BT3xx. Référez au manuel de BT3xx.

Réglage de la vanne de gaz

Régler les vannes de gaz en fonction des instructions du manuel de la rampe de gaz.

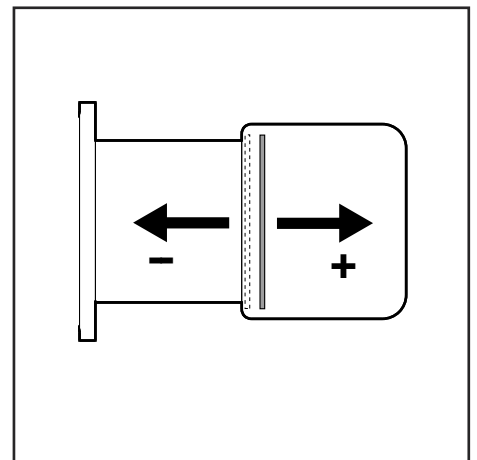
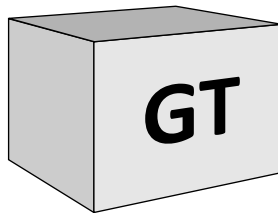
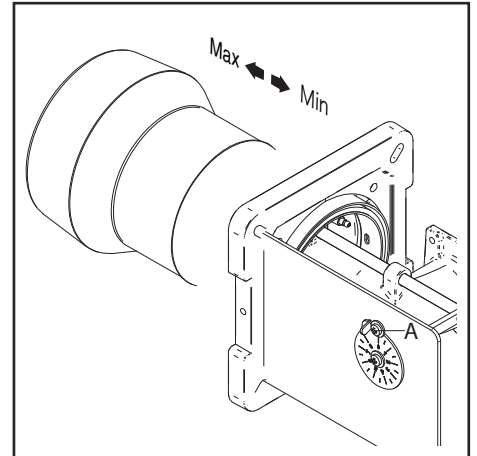
Attention: en cas d'installation sur une chaudière, respecter la température minimale des fumées d'évacuation en fonction des indications du fabricant de la chaudière et selon les exigences du système d'évacuation des fumées, afin d'éviter la formation de condensation.

Régulation de la tête de combustion

La régulation de la tête de combustion est faite pour obtenir le meilleur rendement de combustion.

En cas d'installation du brûleur aux puissances minimales, la tête est reculée, tandis qu'elle est avancée pour les puissances maximales. Exécution:

- desserrer la vis de blocage A.
- ajuster la tête de combustion jusqu'à atteindre la position désirée.
- serrer à nouveau la vis de blocage A.



Risque de déflagration:

Contrôler en permanence le CO, le CO₂ et les émissions de fumée pendant le réglage. En cas de formation de CO, optimiser les valeurs de combustion. La teneur en CO ne doit pas dépasser 50 ppm.

Mise en service - Régulation des pressostat air et gaz

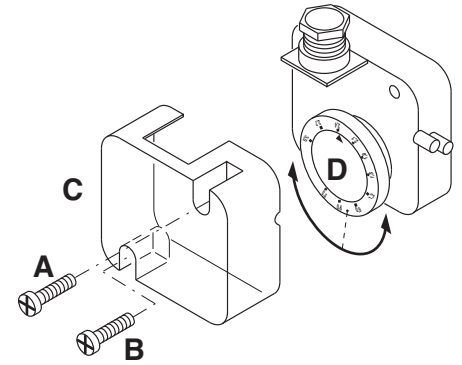
Réglage du pressostat d'air

Le pressostat d'air contrôle la pression de l'air de ventilation.

Dévisser les vis A et B et enlever le couvercle C.

Après avoir calibré l'air et le gaz, alors que le brûleur fonctionne, tourner lentement la bague D dans le sens des aiguilles d'une montre jusqu'à l'arrêt de blocage du brûleur. Lire la valeur indiquée sur la bague et la réduire de 15%.

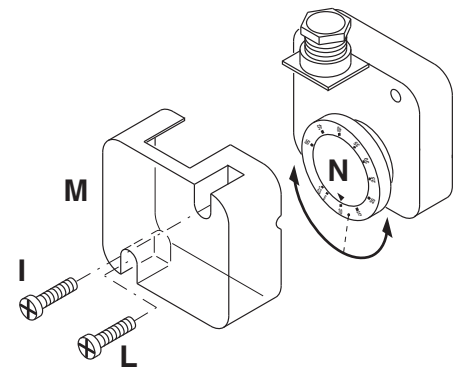
ATTENTION: le pressostat évitera que la pression de l'air ne descende sous 85% de la valeur programmée, en évitant ainsi que le CO des fumées ne dépasse 1%(10000 ppm).



Réglage du pressostat du gaz min.

Le pressostat gaz mini a la fonction de vérifier que la pression du gaz avant la vanne soit à la valeur minimale pour que le brûleur fonctionne correctement.

Dévisser les vis I et L et enlever le couvercle M. - Positionner le régulateur N à un valeur équivalent au 60% de la pression nominale d'alimentation du gaz(par ex.: pour gaz nat. avec pression nom. de 20 mbar, positionner le régulateur à une valeur de 12 mbar; pour G.L.P. avec pression nom. G30/G31 30/37 mbar, positionner le régulateur à 18 mbar). - Remonter le couvercle M et visser les vis I et L.



Contrôle de fonctionnement

Il convient de procéder à un contrôle de sécurité de la surveillance de flamme aussi bien lors de la première mise en service qu'après des révisions ou un arrêt prolongé de l'installation.

- Essai de démarrage avec la vanne de gaz fermée:

L'appareillage de contrôle devra signaler le non fonctionnement par absence de gaz ou se bloquer une fois le temps de sécurité écoulé.

Maintenance - Entretien

Les travaux d'entretien sur la chaudière et sur le brûleur ne doivent être exécutés que par un spécialiste en chauffage. Afin d'assurer des opérations d'entretien régulières la souscription d'un contrat d'entretien doit être recommandée à l'utilisateur de l'installation.

Attention

- Avant toute intervention d'entretien et de nettoyage, couper l'alimentation électrique.
- L'gueulard et les composantes de la tête peuvent être chauds.

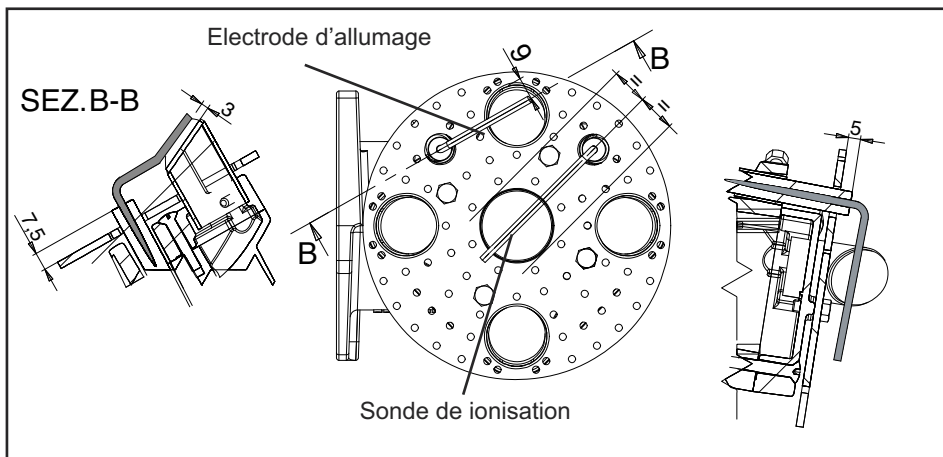
Positions d'entretien

- Tous les composants d'alimentation en combustible (flexibles, canalisations) et leurs accouplements respectifs devraient être vérifiés (étanchéité, usure) et changés si nécessaire.
- Vérifier toutes les connexions électriques et les câbles, et les remplacer si nécessaire.
- Vérifier le filtre gaz, le cas échéant le nettoyer ou le remplacer.
- Nettoyer la turbine et le carter, et vérifier qu'ils ne sont pas endommagés.
- Vérifier et nettoyer la tête de combustion.
- Vérifier les électrodes, les régler ou les remplacer si nécessaire.

Contrôle des températures des gaz de combustion

- Contrôler régulièrement la température des gaz de combustion.
- Nettoyer la chaudière lorsque la température des gaz de combustion dépasse la valeur à la mise en service de plus de 30°C.
- Utiliser un afficheur de température des gaz de combustion pour faciliter le contrôle.

- Démarrer le brûleur, vérifier la combustion, et corriger les réglages du brûleur si nécessaire.
- Vérifier le manostat d'air et le manostat gaz.
- Vérifier l'aptitude au réglage de la rampe gaz.
- Contrôler le fonctionnement.



Maintenance - Problèmes possibles

Causes et élimination des anomalies

En présence d'anomalies, es conditions de fonctionnement normal doivent être vérifiées:

1. Y a-t-il du courant?
2. Y a-t-il de la pression de gaz?
3. Est-ce que le robinet d'arrêt du gaz est ouvert ?
4. Tous les appareils de régulation et de sécurité tels que thermostat de chaudière, protection contre le manque d'eau, interrupteur de fin de course, sont-ils réglés?

Maintenance

Contrôle annuel

Le contrôle périodique du brûleur (tête de combustion, électrodes, etc.) doit être effectué, par un technicien autorisé, une ou deux fois par an, suivant l'utilisation. Avant de procéder au contrôle pour la maintenance du brûleur, il est souhaitable de contrôler l'état général du brûleur et d'effectuer les opérations suivantes:

- Débrancher le brûleur (enlever la prise).
- Fermer le robinet d'arrivée du gaz.
- Enlever le couvercle du brûleur, nettoyer le ventilateur et l'aspiration de l'air.
- Nettoyer la tête de combustion et contrôler la position des électrodes.
- Remonter les pièces.
- Contrôler l'étanchéité des raccords gaz.
- Contrôler la cheminée.
- Faire redémarrer le brûleur.
- Contrôler les paramètres de la combustion.

Avant chaque intervention contrôler:

- Qu'il y ait du courant électrique dans l'installation et que le brûleur soit branché.
- Que la pression du gaz soit correcte et que le robinet d'arrivée du gaz soit ouvert.
- Que les systèmes de contrôle soient branchés correctement.
- Si toutes ces conditions sont accomplies, faire démarrer le brûleur en appuyant sur le bouton de déblocage.
- Contrôler le cycle du brûleur.

Au cas où, après le contrôle des points susdits, l'anomalie persistait, employer le suivant tableau.

Les composants de sécurité ne doivent pas être réparés, mais plutôt ils doivent être substitués avec des composants rapportant le même code article.

Utiliser exclusivement des pièces

Le brûleur ne démarre pas:

- Contrôler l'interrupteur, les thermostats, le moteur, la pression du gaz.

Le brûleur effectue le prebalayage et se bloque à la fin du cycle:

- Contrôler la pression de l'air et le ventilateur.
- Contrôler le pressostat de l'air.

Le brûleur effectue le prebalayage et ne s'allume pas :

- Contrôler le montage et la position des électrodes.
- Contrôler le câble d'allumage.
- Contrôler le transformateur d'allumage.
- Contrôler le coffret de sécurité.

Le brûleur s'allume et se bloque après le temps de sécurité:

- Contrôler que la phase et le neutre soient branchés correctement.
- Contrôler l'électrovanne du gaz.
- Contrôler la position de l'électrode de détection et son branchement.
- Contrôler l'électrode de détection.
- Contrôler le dispositif de sécurité.

Le brûleur s'allume et se bloque après quelques minutes de fonctionnement :

- Contrôler le régulateur de pression et le filtre du gaz.
- Contrôler la pression du gaz avec un manomètre.
- Contrôler la valeur de détection

derechange d'origine.

NB: Après toute intervention contrôler:

- es valeurs de combustion en conditions de exercice (porte de la locale chaudière éclose, couverture montée, etc).
- enregistrer les valeurs de combustion dans le livret de central.

Contenidos generales - índice - advertencias generales

Descripción	Datos técnicos	3
	Dimensiones	4
Contenidos generales	índice	35
	Advertencias generales	35
	Descripción del quemador	36
Función	Funciones generales de seguridad	37
	Equipo control llama y de seguridad LAMTEC	38
Instalación	Montaje del quemador	39
	Conexión eléctrica	40
	Comprobaciones previas a la puesta en servicio	40
Puesta en servicio	Ajuste del quemador	41
	Ajuste de los presostatos de aire y gas	42
Mantenimiento	Conservación	43
	Posibles inconvenientes	44
Descripción	Esquemas eléctrico	66-67
	Piezas de recambio	68-70
Contenidos generales	Declaración de conformidad	71

Advertencia

Los quemadores BLU TS se han concebido para la combustión de gas natural y de gas propano con bajas emisiones contaminantes. Los quemadores cumplen la norma EN 676, desde el punto de vista del diseño y del funcionamiento. La instalación, la puesta en marcha y el mantenimiento deben ser realizados exclusivamente por técnicos instaladores autorizados siguiendo las directivas y recomendaciones vigentes.

Descripción del quemador

Los quemadores BLU TS son aparatos duobloque progresivo y con un funcionamiento completamente automático. La construcción especial del cabezal de combustión permite obtener una combustión con un índice de óxidos de nitrógeno débil y un coeficiente de rendimiento elevado. Los valores de las emisiones corresponden a la clase 3, tal como la define la EN676 (NOx<80mg/kWh). Según la geometría del hogar, la carga del mismo y el sistema de combustión (caldera de tres pasos de humos, caldera con hogar de fondo ciego), pueden obtenerse valores de emisiones diferentes. Son adecuados para todo tipo de generadores de calor que cumplan la

norma EN 303 o para generadores-pulsadores de aire caliente fabricados según la norma DIN 4794 o DIN 30697, en su intervalo de potencias. Cualquier otro uso debe ser objeto de una solicitud de autorización a Ecoflam. Para un funcionamiento completamente seguro, respetuoso con el medio ambiente y económico desde el punto de vista energético, se deben tener en cuenta las siguientes normas:

EN 676

Quemadores de gas de aire soplado

EN 226

Conexión de quemadores de gasóleo y de gas de aire soplado a un generador de calor.

EN 60335-1, -2-102

Seguridad de los dispositivos eléctricos para un uso doméstico, normas especiales para dispositivos de combustión de gas.

Condiciones de instalación

El quemador no se debe poner en servicio en locales expuestos a vapores agresivos (por ejemplo laca para el cabello, tetracloroetileno, tetracloruro de carbono), con gran cantidad de polvo o alto grado de humedad del aire (por ejemplo en

lavanderías). Es necesario que el local de instalación disponga de una ventilación adecuada para garantizar las condiciones para una buena combustión. Las disposiciones locales pueden indicar requisitos diferentes.

No quedan cubiertos por la garantía los daños resultantes de las siguientes causas:

- uso inadecuado.
- montaje defectuoso, instalación realizada por el comprador o un tercero, uso de piezas no originales.

Entrega de la instalación y consejos de uso

El instalador del sistema debe facilitar al usuario de la misma, como muy tarde en el momento de la entrega, las instrucciones de uso y mantenimiento. éstas deben conservarse en un lugar bien visible de la sala de calderas. Deben contener la dirección y número de teléfono del servicio de atención al cliente más cercano.

Advertencia para el operador

Al menos una vez al año, un técnico especialista deberá revisar la instalación. Para garantizar que dicha revisión se realice de una manera regular, es muy recomendable suscribir un contrato de mantenimiento.

Los quemadores Ecoflam se han diseñado y construido de acuerdo con las normativas y directivas corrientes. Todos los quemadores responden a las normativas sobre la seguridad y sobre el ahorro energético en el límite del campo de trabajo declarado. La calidad del producto está garantizada por el sistema de certificación según la norma ISO 9001:2008.



Contenidos generales - Descripción del quemador

BLU TS 1500.1 PR TC - HT SP 230-400-50

NOMBRE

BLU TS Gas

MODELO (Gas: kW; Gasóleo: kg/h)

BLU 1500.1 1550 kW

EMISIONES

Standard Clase 2 GAS EN676 (<120 mg/kWh)
 LN Low NOx Clase 3 GAS EN676 (<80 mg/kWh)

TIPO DE OPERACIÓN

PAB 2 llama
 PR 2 llama progresiva mecánico
 E 2 llama progresiva electrónico

TIPO DE CABEZA

TC Cabeza corta
 TL Cabeza larga

COMBUSTIBLE

Gas Natural
 LPG Gas Propano
 BIOGAS Biogas

EQUIPMENT

con rampa gas
 HT con rampa de gas + altas temperaturas
 HT SP con rampa de gas + altas temperaturas + modelo especial
 SGT Rampa de gas separado
 SGT HT Rampa de gas separado + Alte temperature

TENSION DE ALIMENTACIÓN

230-400-50 230-400 Volt, 50 Hz

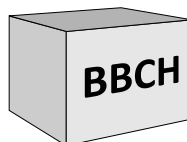
Embalaje

El quemador se entrega con un sistema modular de embalaje (cajas separadas) es decir, separadas set/box: **BBCH**: Quemador completo con cabezal de combustión y brida.

- 1 bolsa :
 - manual técnico multilingüe.
 - llave hexagonal.
 - tornillo, tuercas y arandelas.

GT: Rampa de gas por separado.

KIT & ACS disponibles y entregados por separado.



KIT & ACS disponibles y entregados por separado



Función - Funciones generales de seguridad

Descripción del funcionamiento

Durante la primera activación, tras un corte de tensión o en caso de parada de seguridad tras una interrupción del suministro de gas o tras una parada de 24 horas, comienza un tiempo de preventilación.

Durante el tiempo de preventilación:

- se vigila la presión de aire inyectado.
- control de la presencia de eventuales señales de llama anómalas.

Transcurrido el tiempo de preventilación

- el encendido entra en el circuito.
- la electroválvula principal y de seguridad está abierta.
- arranque del quemador.

Vigilancia

La llama se vigila por medio de una sonda de ionización. La sonda se monta, de manera que quede aislada, en el cabezal de gas y pasa a través del deflector a la zona de llama. La sonda no debe estar en contacto eléctrico con piezas que tengan

toma de tierra.

Si se produce un cortocircuito entre la sonda y la masa del quemador, el quemador indicará un fallo.

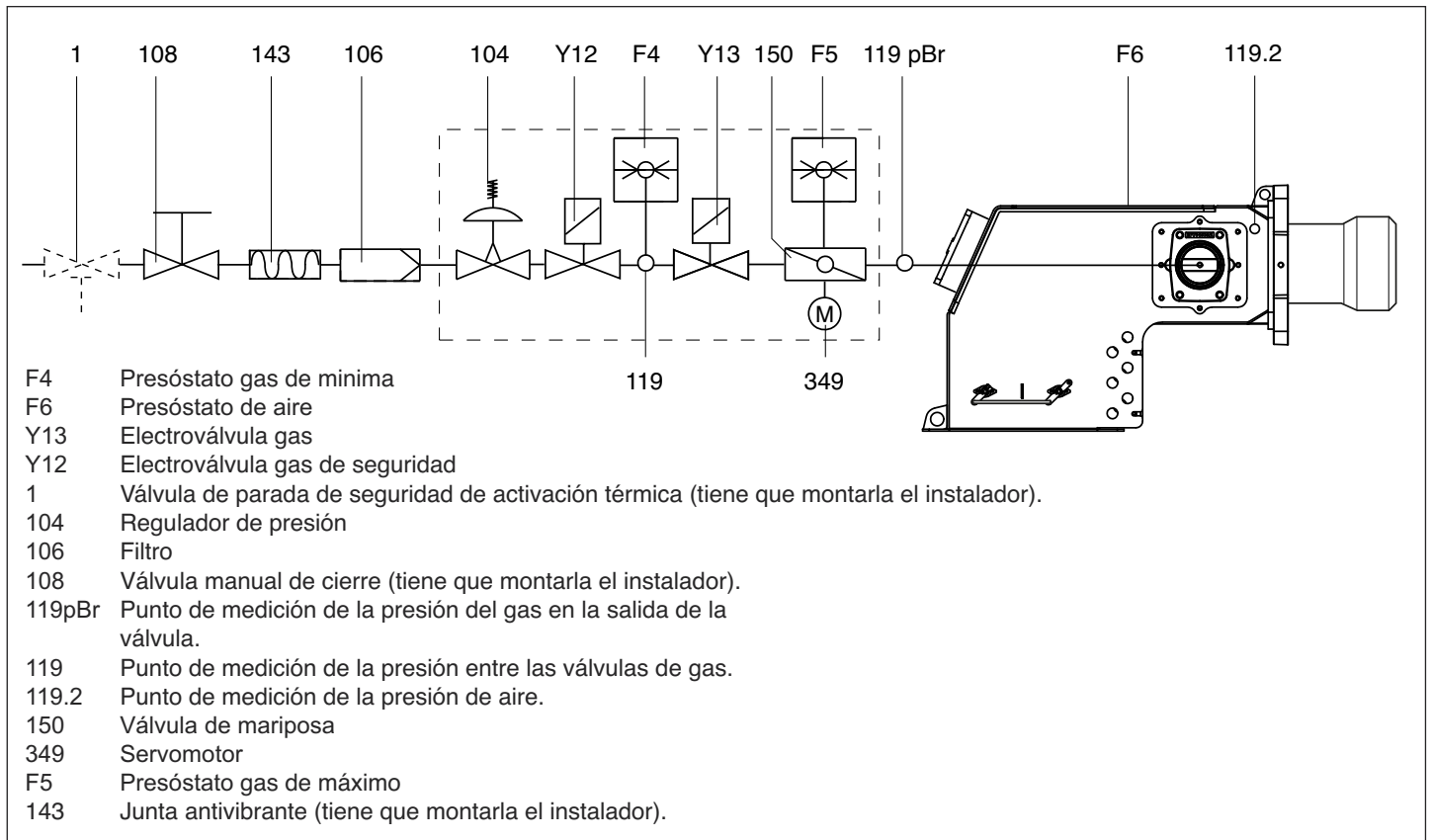
Durante el funcionamiento se crea una zona ionizada en la llama de gas. Por esta zona circula una corriente rectificadora hacia el extremo del quemador.

Funciones de seguridad

- Si no se produce llama al arrancar el quemador (salida de gas), el quemador se interrumpirá transcurrido el tiempo de seguridad de 3 segundos y la válvula de seguridad se cierra.
- En caso de fallar la llama durante el funcionamiento, la alimentación de gas se interrumpe en el espacio de un segundo y la equipo control llama y de seguridad pasa al bloque.
- En caso de falta de aire durante la preventilación o el funcionamiento, se produce el bloqueo de seguridad.
- En caso de falta de gas, el quemador no se pondrá en marcha o se detendrá.

Parada de ajuste

- El termostato de regulación interrumpe la solicitud de calor.
- Las válvulas de gas se cierran.
- La llama se apaga.
- El motor de ventilación se detiene.
- El quemador está listo para funcionar.




Función - Equipo control llama y de seguridad Lamtec BT330







El programador de control y seguridad del gas BT 3xx controla y gestiona el quemador de aire forzado. Gracias al programa controlado por el microprocesador se obtienen tiempos extremadamente estables, independientemente de oscilaciones de la tensión de red o de la temperatura ambiente. El programador incluye un dispositivo de protección contra las caídas de tensión eléctrica. Según la parametrización, la unidad pasa a la modalidad de fallo o se sitúa en posición de espera, si la alimentación desciende por debajo de la tensión de red. En la posición de espera existe un rearme automático que se activa cuando el valor de umbral se supera del 105%.

Bloqueo y desbloqueo

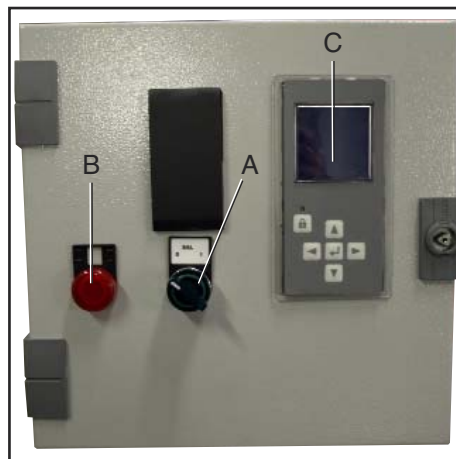
El programador se puede bloquear de forma manual (protección) mediante el botón de bloqueo  y desbloqueo (eliminación de la avería) siempre que esté en tensión. Esta función no se tiene que confundir con el bloqueo automático y el reconocimiento de avería en caso de error.

! Antes del montaje o del desmontaje del programador de comando, el equipo debe ser desconectado de la red de alimentación. El programador de comando no debe ser abierto o reparado.

Si se acciona el botón de desbloqueo del equipo control llama provoca
... 1 segundo ...	el desbloqueo del equipo control llama.
... 4 segundos ...	el bloqueo del equipo control llama.

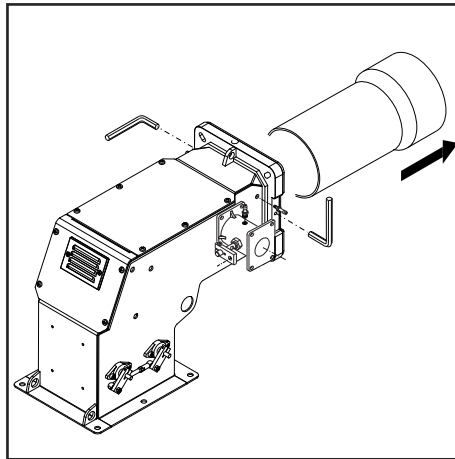
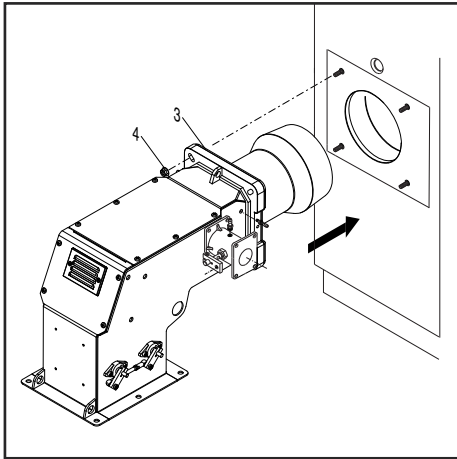
-  Desplazamiento del cursor hacia arriba.
-  Desplazamiento del cursor hacia abajo.
-  Aumento del valor indicado.
-  Disminución del valor indicado.
-  Modificación/Confirmación del valor indicado.
-  Desbloqueo del programador.
-  Diodo luminoso rojo (parpadea en caso de fallo).

Función - Cuadro de mandos



- A interruptor I/O
- B Indicador de bloqueo relé termico
- C display

Instalación - Montaje del quemador



Montaje del quemador

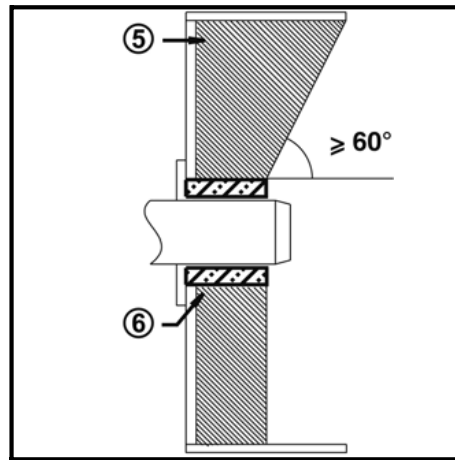
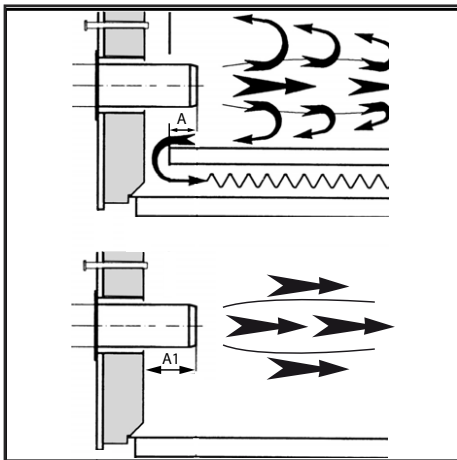
El quemador se fija a la caldera.

Montaje :

- Fijar la brida de encaje 3 a la caldera con los tornillos 4.

Desmontaje :

- Afloje los tornillos y retire el quemador.



Profundidad de montaje del tubo del quemador y guarnecido de albañilería

Para los generadores sin pared delantera enfriada y en ausencia de indicaciones contrarias del fabricante de la caldera, es necesario realizar un guarnecido de albañilería o un aislamiento (5) según la ilustración contigua. El guarnecido de albañilería no debe sobresalir del borde delantero del tubo de llama y su conicidad no debe ser superior a 60°. El hueco de aire (6) debe rellenarse con un material de aislamiento elástico y no inflamable.

Para los calderas se debe respetar la profundidad de penetración del tubo de llama teniendo en cuenta las indicaciones del fabricante de la caldera.

Calderas con combustión inversa :

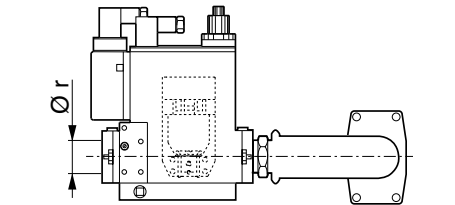
A = 50-100 mm.

Calderas en tres pasos :

A1 = 50-100 mm.

Línea alimentación del gas

En la instalación de la línea de alimentación y de la rampa de gas es necesario cumplir con las disposiciones de la EN676. El instalador tendrá que ocuparse de montar ulteriores accesorios para satisfacer eventuales normativas locales.



Disposiciones de tipo general para la conexión del gas

- La conexión de la rampa de gas a la red del gas tiene que efectuarla exclusivamente un técnico experto autorizado.

- La sección del tubo del gas tiene que prepararse de manera que la presión de alimentación del gas no pueda disminuir por debajo del valor establecido.

- Se tiene que montar al inicio de la rampa

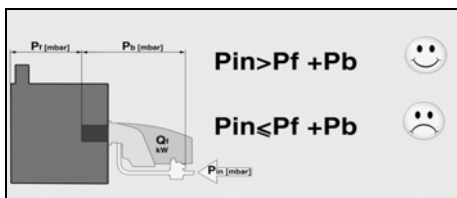
del gas una válvula de cierre manual (no suministrada).

LEYENDA

Pf: Controresión en cámara de combustión

Pb: Presión gas quemador (cabeza de combustion + rampa de gas).

Pin: Presión mínima de suministro



Conducto de humo

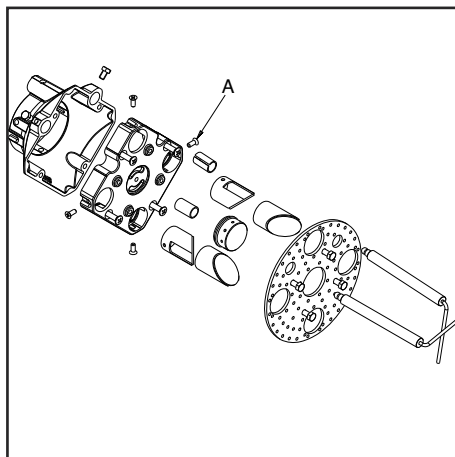
Con el fin de evitar posibles emisiones acústicas desagradables, se recomienda evitar las piezas de conexión con ángulos rectos durante la conexión de la caldera a la chimenea.

CONVERSIÓN DE GPL

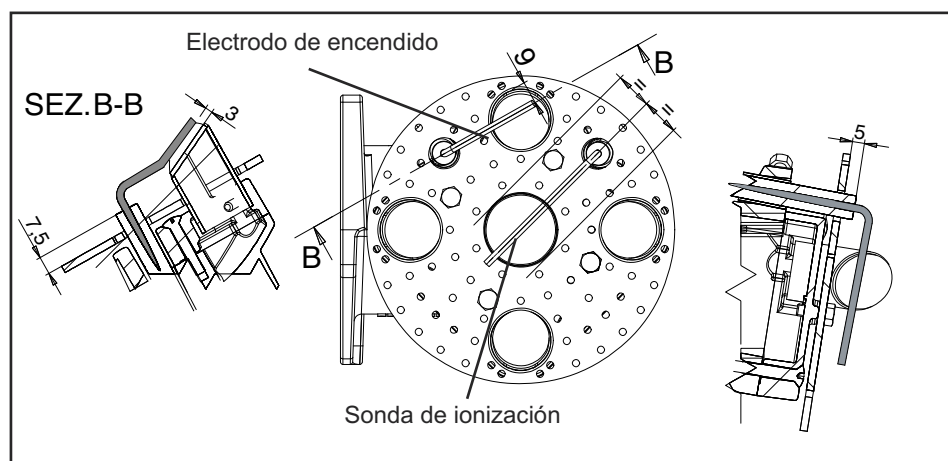
KITLPG	
KITLPG-BLU500.1	3124487
KITLPG-BLU700.1	3124488
KITLPG-BLU1000.1-1500.1	3124489

Para transformar el quemador de metano a GPL seguir las siguientes instrucciones;

- Desmontar el tubo llama.
- Desmontar el electrodo de encendido.
- Sustituir los 4 difusores por los de GPL actuando sobre el tornillo A.
- Desmontar el disco.
- Sustituir el inyector por el de GPL actuando sobre el tornillo B.
- Montar correctamente el disco y electrodo de encendido.
- Sustituir el tubo llama por el de GPL.



Instalación - Conexión eléctrica - Comprobaciones previas a la puesta en servicio



Conexión eléctrica

La instalación eléctrica y los trabajos de conexión debe realizarlos exclusivamente por personal autorizado.

Deben seguirse las recomendaciones y las directivas vigentes.

El equipo de alimentación tiene que disponer de un interruptor diferencial de tipo A.

Respetar obligatoriamente las disposiciones y las directivas en vigor, además del esquema eléctrico suministrado con el quemador!

• Compruebe si la tensión eléctrica de alimentación se corresponde con la tensión de funcionamiento indicada en el esquema eléctrico y en la placa de características.

Fusible de la caldera : 5 A

Conexión eléctrica mediante conectores

El quemador debe poder desconectarse de la red por medio de un dispositivo de corte unipolar acorde con la normativa vigente. El quemador y el generador de calor (caldera) están conectados entre sí por medio de una conexión a la regleta de bornes del panel (fig.1).

Conexión de la rampa del gas

Efectuar la conexión de la rampa del gas con las tomas situadas en el quemador (fig.2).

La configuración estándar de los motores es trifásica 400 V.

Los quemadores con motores eléctricos de potencia inferior o igual a 7,5 kW pueden ser adaptados para la alimentación de 220-230 V (ver instrucciones en el reverso); para motores de potencias superiores, solamente se admite la alimentación trifásica a 380-400 V. Si se necesita un quemador con alimentación a 220 V, mencionarlo específicamente en el pedido.

Instrucciones para la alimentación eléctrica a 220-230 V de motores de 7,5 kW o menos

Los quemadores Ecoflam con motores de 7,5 kW o menos pueden ser adaptados para ser conectados a una alimentación eléctrica de 220-230 V; para ello, proceder de la manera siguiente:

1. cambiar la conexión dentro de la caja de alimentación del motor eléctrico, de estrella a delta (ver figura 3);
2. cambiar el ajuste del relé térmico, tomando como referencia los valores de absorción indicados en la placa de datos del motor. De ser necesario, reemplazar el relé térmico con otro de escala adecuada. Esto no es posible con motores de más de 7,5 kW. Para más información, póngase en contacto con su persona de referencia en Ecoflam.

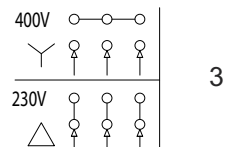
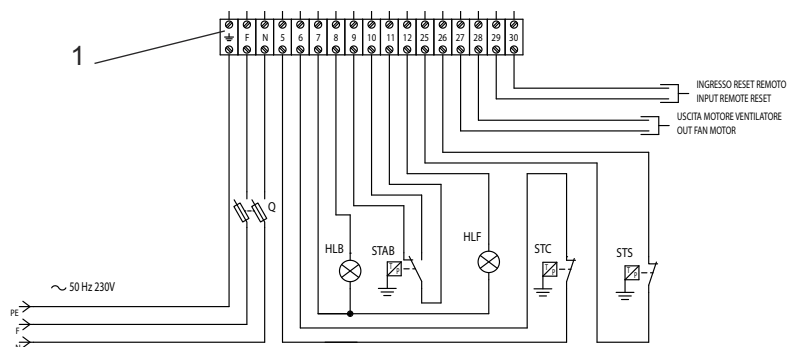
Posición del electrodo

Comprobar siempre la posición de los electrodos tras su sustitución o el montaje del KIT LPG. Una posición errónea puede provocar problemas de encendido o detección.

Controlli da eseguire prima della messa in funzione

Conviene controlar los siguientes puntos antes de la puesta en servicio.

- Montaje del quemador de conformidad con las presentes instrucciones.
- Ajuste previo del quemador según las indicaciones del cuadro de ajuste.
- Ajuste de los dispositivos de combustión.
- El generador de calor debe estar listo para funcionar; deben respetarse sus recomendaciones de utilización.
- Todas las conexiones eléctricas deben realizarse correctamente.
- El generador de calor y el sistema de calefacción deben estar lo suficientemente llenos de agua; las bombas de circulación deben funcionar.
- El regulador de temperatura, el regulador de presión, la protección contra la falta de agua y el resto de dispositivos de limitación y de seguridad que puedan encontrarse presentes están conectados y operativos.
- La chimenea debe estar despejada y el dispositivo de aire adicional, si se encuentra instalado, en funcionamiento.
- Se debe garantizar un aporte suficiente de aire fresco.
- La solicitud de calor debe estar presente.
- Tiene que estar disponible una presión de gas suficiente.
- Los conductos de combustible deben estar montados según las reglas del oficio, su estanqueidad comprobada y estar purgados.
- Debe existir un punto de medición conforme a las normas; el conducto de humos hasta el punto de medición debe ser estanco, de tal forma que los resultados de medición no se falseen.



Puesta en servicio - Ajuste del quemador

Regulación de potencia máxima del quemador

La regulación del aire y del gas se obtienen configurando los parámetros de la BT3xx. Tomar como referencia al manual de la BT3xx.

Regulación de potencia mínima del quemador

La regulación del aire y del gas se obtienen configurando los parámetros de la BT3xx. Tomar como referencia al manual de la BT3xx.

Regulación de las potencias intermedias del quemadore

La regulación del aire y del gas se obtienen configurando los parámetros de la BT3xx. Tomar como referencia al manual de la BT3xx.

Ajuste de la válvula del gas

Regular las válvulas del gas según las instrucciones del manual de la rampa del gas.

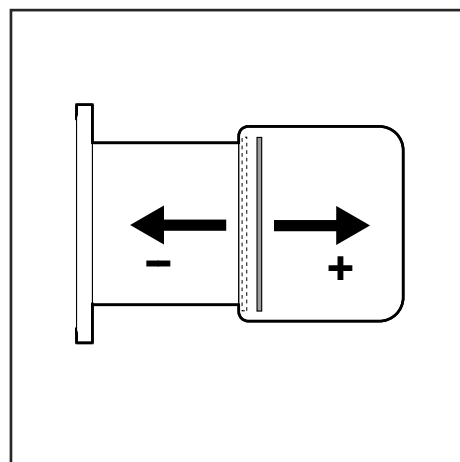
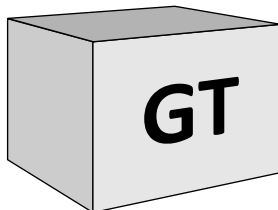
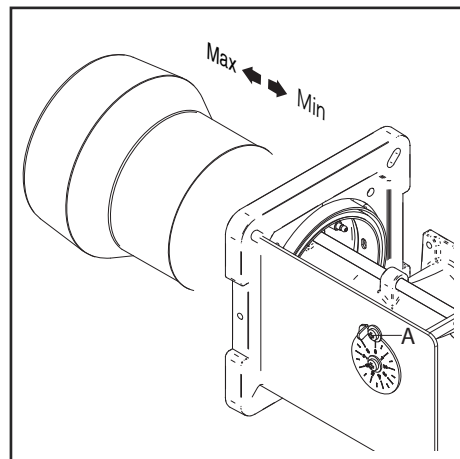
Atención: en caso de instalación sobre caldera, respetar la temperatura mínima de los gases de combustión según las indicaciones del fabricante de la caldera y según los requisitos del sistema de escape de dichos gases, para evitar la formación de condensación.

Reglaje de la cabeza de combustión

La regulación de la posición de la cabeza de combustión es efectuada para obtener el mejor rendimiento de la combustión. En caso de instalaciones con caudales mínimos, la cabeza es arredrada, con caudales máximos es adelantada.

Ejecución:

- aflojar el tornillo A de fijación.
- ajustar el cabezal de combustión hasta conseguir la posición que se necesita.
- atornillar el tornillo A.



Existe riesgo de deflagración:

controle constantemente el CO, el CO₂ y las emisiones de humo durante el ajuste. En caso de formación de CO, optimice los valores de combustión. El contenido de CO no debe ser superior a 50 ppm.

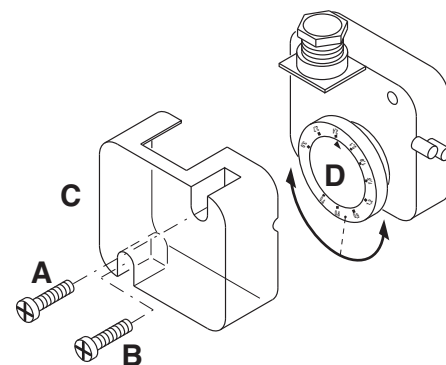
Puesta en servicio - Regulación de presóstati aire y gas

Regulación del presóstato aire

El presóstato aire controla la presión de ventilación de aire.

Destornillar los tornillos A y B y quitar la tapa C. Después de la calibración del aire y del gas, con el quemador en función, girar lentamente en el sentido de las agujas del reloj la abrazadera D hasta el tope de bloqueo del quemador. Leer el valor indicado en la abrazadera y reducirlo un 15%. Remontar la tapa C y atornillar los tornillos A y B.

ATENCIÓN: el presostato evitará que la presión del aire disminuya por debajo del 85% del valor configurado, evitando de esta forma que el CO en los humos supere el 1% (10000 ppm).

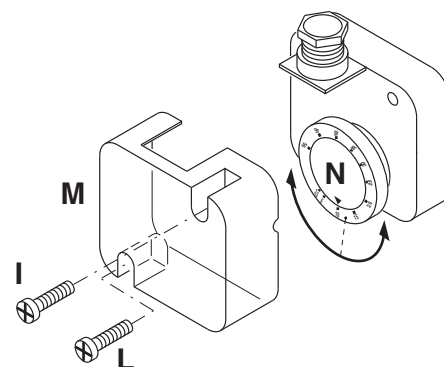


Regulación del presóstato gas de mínima

El presóstato gas de mínima tiene la función de verificar que la presión de gas antes de la rama de gas tenga la mínima presión para asegurar que el quemador funcione correctamente.

Destornillar los tornillos I y L y quitar la tapa M. Posicionar el regulador N a un valor igual al 60% de la presión nominal de alimentación el gas (ej. para gas nat. con pres. nom. de alim. de 20 mbar, regulador regulado al valor de 12 mbar; para G.P.L. con pres. nom. de alim. G30-G31 30/37 mbar, regulador regulado al valor 18

mbar). Remontar la tapa M y atornillar los tornillos I y L.



Control de funcionamiento

Es necesario efectuar un control de seguridad del seguimiento de la llama, tanto con motivo de la primera puesta en función como tras haber efectuado una revisión o tras un largo periodo de inactividad del equipo.

- Prueba de puesta en marcha con el grifo del gas cerrado: el equipo de control tendrá que señalar el no funcionamiento por ausencia de gas o bloquearse al final del tiempo de seguridad.

Mantenimiento - Conservación

Las operaciones de mantenimiento de la caldera debe llevarlas a cabo un técnico especialista en calefacción. Para garantizar la realización anual de los trabajos de mantenimiento, se recomienda firmar un contrato de mantenimiento.

Atención

- Antes de realizar cualquier intervención de mantenimiento y limpieza, cortar el suministro eléctrico.
- La tobera y los componentes del cabezal pueden estar calientes.

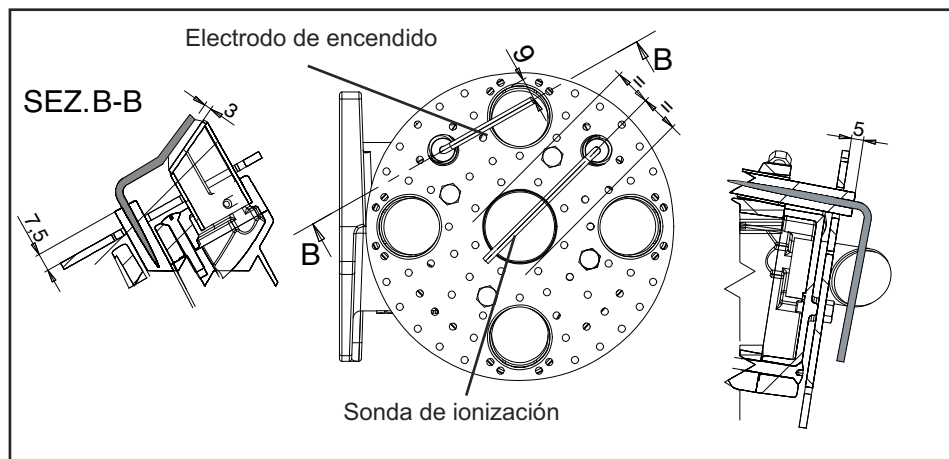
Control de las temperaturas de los gases de combustión

- Compruebe con regularidad la temperatura de los gases de combustión.
- Limpie la caldera cuando la temperatura de los gases de combustión supere el valor de puesta en servicio en más de 30 °C.
- Utilice un indicador de temperatura de los gases de combustión para facilitar la comprobación.

Posiciones de mantenimiento

- Todos los componentes de alimentación de combustible (mangueras, canalizaciones) y sus acoplamientos respectivos deben ser comprobados (estanqueidad, desgaste) y cambiados si es preciso.
- Comprobar las conexiones eléctricas y los cables y sustituirlos en caso necesario.
- Comprobar el filtro de gas, limpiarlo o sustituirlo.
- Limpiar la turbina y el cárter y comprobar que no estén deteriorados.
- Comprobar y limpiar la cabeza de combustión.
- Comprobar los electrodos de encendido, ajustarlos o sustituirlos si es necesario.

- Poner en marcha el quemador, comprobar la combustión y corregir los ajustes del quemador si es necesario.
- Comprobar el presóstato de aire y el presóstato de gas.
- Comprobar la aptitud del ajuste de la rampa de gas.
- Realizar una comprobación de funcionamiento.



Mantenimiento - Posibles inconvenientes

Causas y resolución de anomalía

En caso de anomalía se deben comprobar las condiciones de funcionamiento normal:

1. Hay corriente eléctrica?
2. Hay presión de gas?
3. Está abierta la válvula de cierre del gas?
4. Todos los aparatos de regulación y de seguridad, como por ejemplo el termostato de la caldera, el dispositivo de protección contra la falta de agua, el interruptor de fin de carrera, etc. están regulados?

En el caso de que, después de comprobar los puntos arriba, la anomalía persiste, consulte la tabla siguiente.

Mantenimiento

Controle anual

El control periódico del quemador (cabeza de combustión, electrodos etc.) tiene que ser efectuado por técnicos autorizados una o dos veces cada año, según la utilización del quemador. Antes de proceder con las operaciones de mantenimiento, es aconsejable comprobar el estado general del quemador actuando de la manera siguiente:

- Desconectar la clavija del quemador de la red.
- Cerrar la válvula de cierre del gas.
- Sacar la tapa del quemador y limpiar ventilador y conducto de aspiración del aire.
- Limpiar la cabeza de combustión y comprobar la posición de los electrodos.
- Remontar el todo.
- Comprobar la estanqueidad de las uniones del gas.
- Comprobar la chimenea.
- Arrancar el quemador y comprobar los parámetros de combustión.

Antes de cada intervención comprobar:

- Que hay corriente en la instalación y que el quemador sea conectado.
- Que la presión del gas sea la correcta y la válvula de cierre esté abierta.
- Que los equipos de control estén debidamente conectados.
- Cuando todas estas condiciones se cumplan, arrancar el quemador presionando

Los componentes de seguridad no debe ser reparado, pero se debe reemplazados por componentes de la muestra el mismo número de artículo.

Utilice exclusivamente piezas.

NB: Después de cualquier intervención:

- bajo condiciones de funcionamiento normales (las puertas se cerraron, capilla cabida, etc.), la combustión del cheque y comprueba las líneas individuales para saber si hay escapes.
- Registre los resultados en los documentos relevantes.

el botón de bloqueo y comprobar la secuencia de encendido.

Breve guía de averías :

- El quemador no arranca: comprobar el interruptor de arranque, los termostatos, el motor, la presión del gas, el equipo de control de estanqueidad (si lo hay).
- El quemador efectúa el prebarrido pero se pone en seguridad al final del ciclo: comprobar la presión del aire, el ventilador y el presostato del aire.
- El quemador efectúa el prebarrido pero no se enciende: comprobar el montaje y la posición de los electrodos, el cable de encendido, el transformador de encendido, el equipo de control llama y las electroválvulas del gas.
- El quemador se enciende pero se pone en seguridad al cumplir del tiempo de seguridad: comprobar que fase y neutro sean conectados correctamente; comprobar posición y conexión de la sonda de ionización; comprobar el equipo de control de llama.
- El quemador se enciende normalmente pero se pone en seguridad después unos minutos de funcionamiento: comprobar el regulador de presión y el filtro del gas; controlar la presión del gas; controlar el valor de ionización; comprobar los valores de la combustión.

Содержание общего характера - Содержание - Предупреждения общего характера

Обзор	Технические характеристики	3
	Размеры	4
Содержание общего характера	Содержание	46
	Предупреждения общего характера	46
	Описание горелки	47
Функция	Общие функции безопасности	48
	Блок управления и безопасности LAMTEC	49
Установка	Установка горелки	50
	Электрическое соединение	51
	Необходимые проверки перед пуском в эксплуатацию	51
Ввод в эксплуатацию	Регулировка горелки	52
	Регулировка реле давления воздуха и газа	53
Техническое обслуживание	Работы по техническому обслуживанию	54
	Возможные неполадки	55
Обзор	Электрические схемы	66-67
	Запчасти	68-70
Содержание общего характера	Сертификат соответствия	71

Основные указания

Горелки BLU TS спроектированы для сжигания природного газа и газа пропан с низким выбросом в атмосферу загрязняющих веществ. Горелки соответствуют норме EN 676 с точки зрения дизайна и функционирования. Монтаж, пуск в эксплуатацию и техническое обслуживание должны производиться только квалифицированными техническими специалистами с соблюдением всех действующих директив и предписаний.

Описание горелки

Горелки BLU TS спроектированы для сжигания природного газа и газа пропан с низким выбросом в атмосферу загрязняющих веществ. Специальная конструкция головки сгорания позволяет достичь сгорания с низким уровнем окислов азота и высоким коэффициентом полезного действия. Величины выбросов соответствуют классу 3, как определено нормой EN676 (NOx<80 мг/кВт.ч). В зависимости от геометрических параметров топочной камеры, нагрузки котла и системы сгорания (трехконтурный котел, котел с замкнутой топочной камерой) значения выделения загрязняющих веществ могут быть различными. Они пригодны для оборудования всех теплогенераторов,

соответствующих стандарту EN 303, или нагнетательных генераторов теплого воздуха, соответствующих стандартам DIN 4794 или DIN 30697, в их мощностном диапазоне. Для любого другого использования требуется разрешение компании Ecoflam. В целях обеспечения безопасного, экологически чистого функционирования, низкого потребления энергии, необходимо соблюдать следующие правила:

EN 676

Вентиляторные газовые горелки (с наддувом)

EN 226

Подключение наддувных жидкотопливных или газовых горелок к теплогенератору.

EN 60335-1, -2-102

Безопасность электроприборов домашнего пользования, особые нормы для аппаратов сгорания на газе.

Условия установки

Горелка не должна эксплуатироваться в помещениях с агрессивной средой (например, с распыляемыми веществами, тетрахлорэтилен, тетрахлорметан), сильно запыленным воздухом или с высокой влажностью (например, в прачечных). Достаточная вентиляция должна быть предусмотрена в помещении, где установлена горелка, так, чтобы

обеспечить условия для хорошего сгорания. Местное законодательство может содержать дополнительные требования.

Гарантия не распространяется на возмещение ущерба, вызванного следующими причинами:

- ненадлежащее использование
- неправильная установка, установка, выполненная покупателем или третьими лицами, использование неоригинальных элементов.

Передача установки пользователю и рекомендации по эксплуатации

Установщик обязан не позднее момента передачи установки пользователю передать ему инструкции по эксплуатации и техническому обслуживанию установки. Они должны храниться в котельной на видном месте. В них должен быть указан номер телефона и адрес ближайшего центра технического обслуживания.

Рекомендации пользователю

Не менее одного раза в год оборудование должно проверяться квалифицированным специалистом. Для обеспечения регулярных проверок рекомендуется заключить договор на проведение технического обслуживания.

Горелки производства Ecoflam были разработаны и изготовлены в соответствии с действующими нормативами и директивами. Все горелки соответствуют стандартам безопасности и энергосбережения в пределах заявленного рабочего поля. Качество продукции гарантировано системой сертификации в соответствии с нормой ISO 9001:2008



Содержание общего характера - Описание горелки

BLU TS 1500.1 PR TC - HT SP 230-400-50

НАЗВАНИЕ

BLU TS газ

МОДЕЛЬ (газ: кВт; Газойль: кг/ч)

BLU 1500.1 1550 kW

ВЫБРОСЫ

Стандарт Класс 2 GAS EN676 (<120 мг/кВтч)
 LN Low NOx Класс 3 GAS EN676 (<80 мг/кВтч)

Тип операции

PAB 2 этапы
 PR 2 этапы стадию механического
 E 2 этапы прогрессивной электронной

Головка типа

TC КОРОТКАЯ ОГНЕВАЯ ГОЛОВКА
 TL ДЛИННАЯ ОГНЕВАЯ ГОЛОВКА

ТОПЛИВО

природный газ
 LPG пропан газ
 BIOGAS биогаз

ОБОРУДОВАНИЕ

с газовая рампа
 HT с газовая рампа + Высокие температуры
 HT SP соп рампа gas + Высокие температуры + специальная модель
 SGT Отдельная газовая рампа
 SGT HT Отдельная газовая рампа + Высокие температуры

ИСТОЧНИК ПИТАНИЯ

230-400-50 230-400 В, 50 Гц

Упаковка

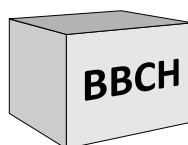
Горелка поставляется с модульной системой упаковки (отдельные коробки) отдельные комплекты/боксы:

BBCH: Горелка в комплекте с головкой сгорания и фланцем.

- 1 пакет : - многоязычное техническое руководство.
- гаечный ключ.
- винты, гайки и шайбы.

GT: Отдельная газовая рампа.

KIT & ACS заказываемые и поставляемые отдельно



KIT & ACS заказываемые и поставляемые отдельно



Функция - Общие функции безопасности

Описание работы

При первой подаче напряжения, после отключения напряжения или перевода в режим безопасности, после отключения газа или после остановки на 24 часа, начинается время предварительной вентиляции.

В течение предварительной вентиляции:

- давление воздуха находится под контролем.
- контроль присутствия возможных аномальных указаний пламени.

После истечения периода предварительной вентиляции

- запускается розжиг.
- главный и предохранительный электромагнитные клапаны открыты.
- пуск горелки.

Контроль

Пламя контролируется ионизационным зондом. Зонд вместе с изоляцией встроен в газовую головку и проходит через дефлектор в зону пламени. Зонд

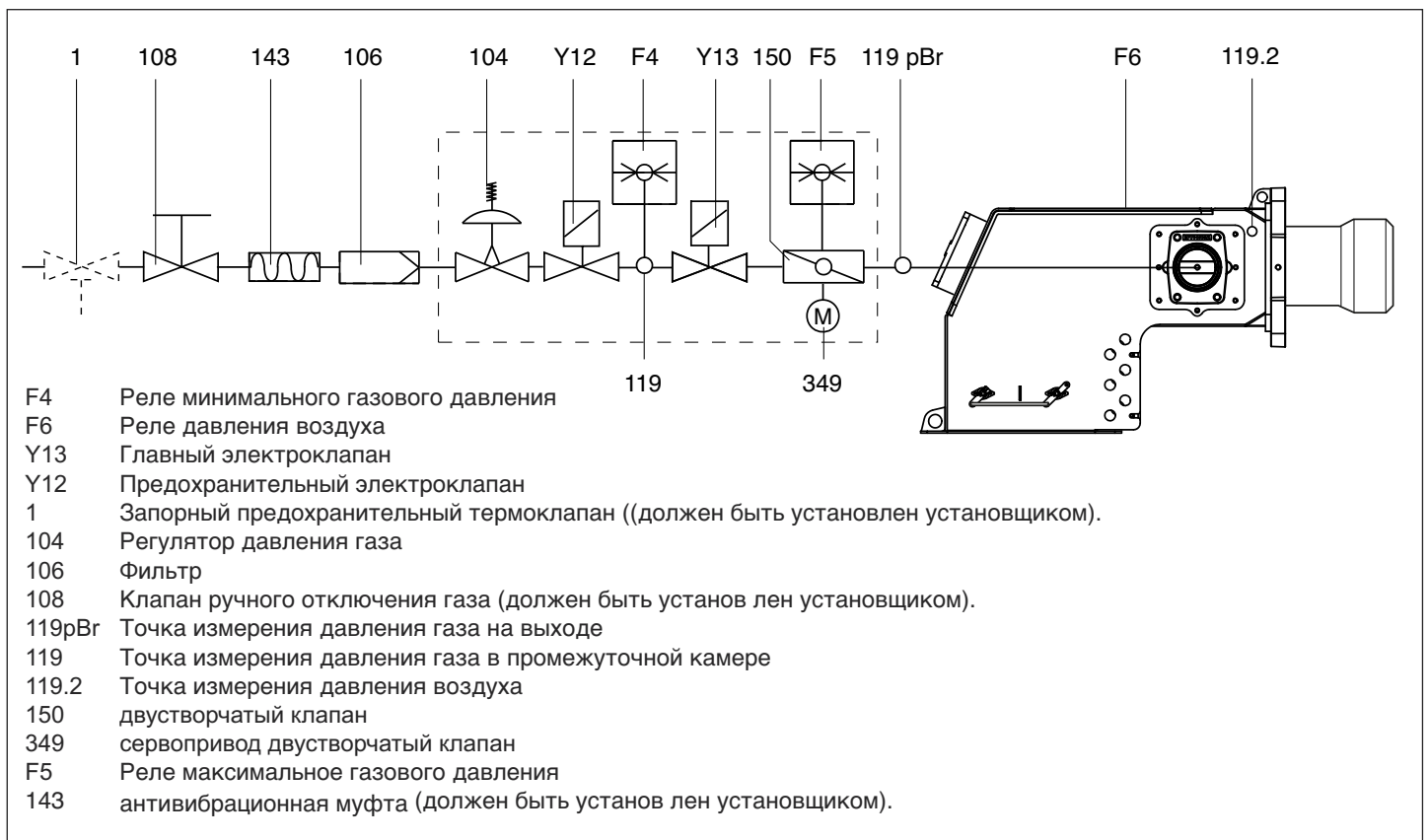
не должен иметь электрический контакт с заземленными деталями. В случае короткого замыкания между зондом и массой горелки горелка переходит в аварийный режим. При горении в газовом пламени образуется ионизационная зона, эта зона пересекается выпрямленным током, который идет от зонда к соплу горелки.

Режим безопасности

- Если при запуске горелки (пуск газа) не образовалось никакого пламени, то по истечении времени безопасности 3 секунды макс., газовый клапан закрывается.
- В случае исчезновения пламени во время работы подача газа прекращается не позже, чем через секунду.
- В случае нехватки воздуха при предварительной вентиляции или во время работы происходит переход в режим безопасности.
- В случае нехватки газа горелка не включается и/или останавливается.

Остановка регулировки

- Реле регулятора температуры прерывает запрос на нагрев.
- Газовые клапаны закрываются.
- Пламя гаснет.
- Электродвигатель вентилятора останавливается.
- Горелка готова к работе.




Функция - Блок управления и безопасности Lamtec BT330




Блок управления и безопасности ВТ 3хх управляет и отслеживает работу наддувной горелки. Благодаря микропроцессору, управляющему программой, обеспечивается стабильная работа на длительном промежутке времени, независимо от изменения напряжения электросети и окружающей температуры. Блок управления и безопасности оборудован системой обнаружения сбоя питания. В зависимости от введенных параметров при падении напряжения блок или переключается в аварийный режим или в режим ожидания. В режиме ожидания самостоятельно выполняется повторный запуск, как только заданное пороговое значение будет превышено на 105%.

Ручная блокировка и разблокировка

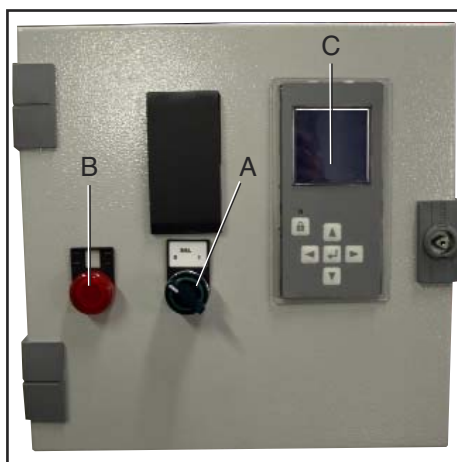
При помощи кнопки сброса  блок можно заблокировать (переход в аварийный режим) или разблокировать вручную, при условии, что блок находится под напряжением. Не путать эту функцию с функцией автоматической блокировки и квитированием неисправности.

! Перед тем как осуществить монтаж или демонтаж блока отключите устройство от электропитания. Открывать блок или производить ремонтные работы запрещено!

Нажатие кнопки в течение вызывает
... 1 секунды ...	разблокировку блока управления.
... 2 секунд ...	блокировку блока управления.

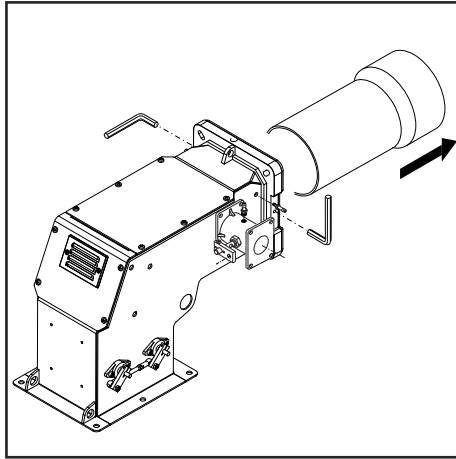
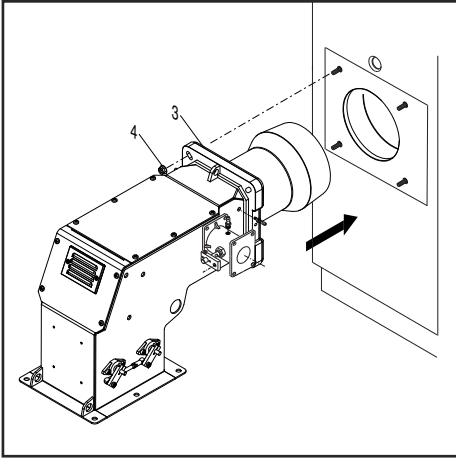
-  - Перемещение курсора вверх.
-  - Перемещение курсора вниз.
-  - Увеличение отображаемого значения.
-  - Уменьшение отображаемого значения.
-  - Изменение / подтверждение отображаемого значения.
-  - Разблокировка блока управления и безопасности.
-  - Красный светодиод (мигает в случае неисправности).

Функция - панель управления



- A** выключатель I/O
- B** индикатор аварийной блокировки по температуре.
- C** display

Установка - Установка горелки



Монтаж горелки

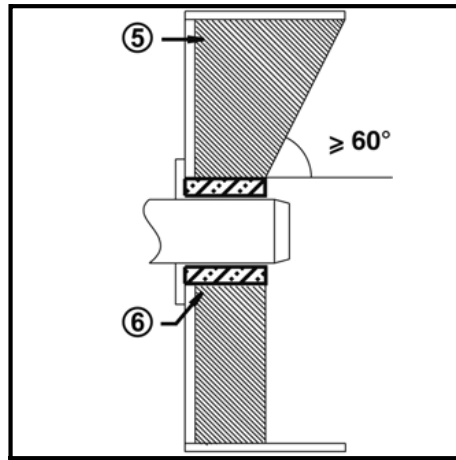
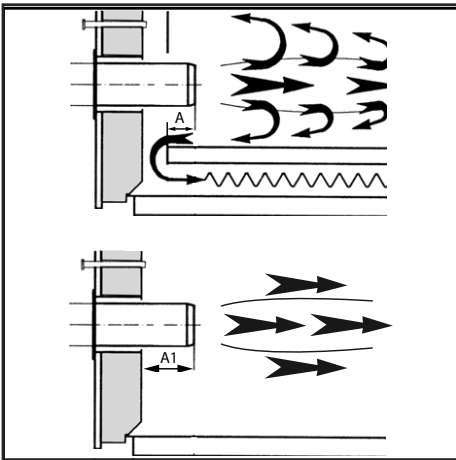
Горелка крепится к котлу.

Монтаж:

- Закрепить фланец креплением 3 к котлу винтами 4.

Демонтаж:

- Ослабьте винты и снимите горелку.



Глубина установки сопла горелки и огнеупорное уплотнение

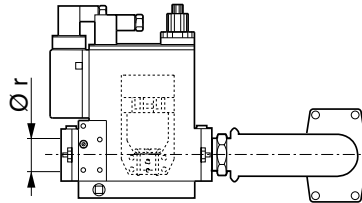
Для котлов без охлаждения передней стенки и при отсутствии других указаний со стороны производителя котла, необходимо выполнить огнеупорную вставку или теплоизоляцию (5), как показано на рисунке слева. Огнеупорная вставка не должна заходить за передний край сопла горелки, а угол ее конического скоса не должен превышать 60°. Воздушный промежуток (6) должен быть заполнен эластичным и невоспламеняемым теплоизоляционным материалом.

Для котлов при выборе глубины сопла горелки необходимо руководствоваться указаниями производителя котла.

Reverse flame boiler : A = 50-100 mm.
Three pass boilers : A1 = 50-100 mm.

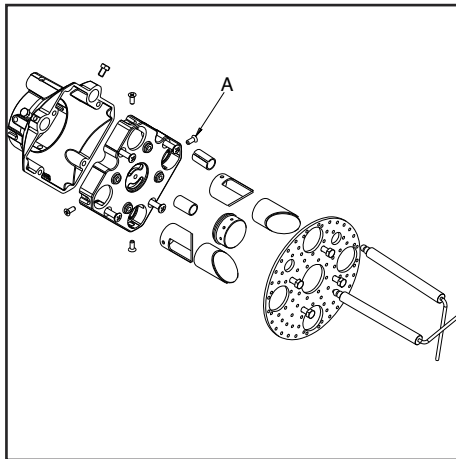
Линия газоснабжения

При установке линии газоснабжения и газовой рампы необходимо соблюдать предписания нормы EN676. Дополнительные принадлежности должны быть установлены установщиком для соблюдения любых местных норм.



Предписания общего порядка для подключения газа

- Подключение газовой рампы к сетевому газу должно исключительным образом выполняться уполномоченным квалифицированным специалистом.
- Сечение газовых труб должно быть подготовлено таким образом, чтобы давление питания газа не могло опуститься ниже предписанного значения.
- Клапан ручной остановки (не поставляется) должен быть установлен в верхней части газовой рампы.



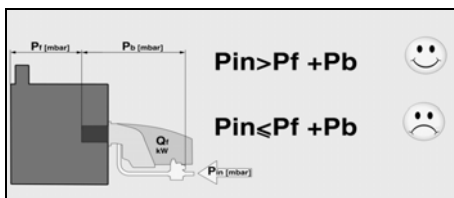
ПРЕОБРАЗОВАНИЕ В СУГ

KITLPG

KITLPG-BLU500.1	3124487
KITLPG-BLU700.1	3124488
KITLPG-BLU1000.1-1500.1	3124489

Для перевода горелки с метана на сжиженный газ действуйте следующим образом:

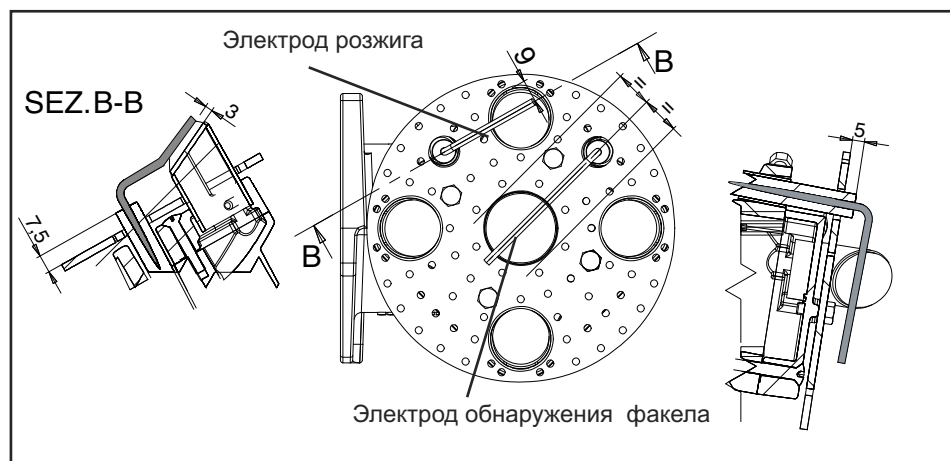
- Демонтировать стакан.
- Демонтировать электрод розжига.
- Вывинтив винты "А", заменить 4 форсунки форсунками для сжиженного газа.
- Демонтировать диск.
- Заменить вставку, вставкой предназначенной для работы на сжиженном газе.
- Установите диск и обратно электрод розжига в правильное положение.
- Установить обратно стакан.



УСЛОВНЫЕ ОБОЗНАЧЕНИЯ

Pf: Противодавление в топке.
Pb: Газовое давление горелки (головка сгорания + газовая рампа).
Pin: Минимальное давление питания.

Установка - Подключение к электросети - Необходимые проверки перед пуском в эксплуатацию



Электроподключение

Электропроводка и все работы по подключению к сети должны выполняться только квалифицированным электриком. Должны выполняться действующие предписания и директивы. Установка электропитания должна быть оснащена дифференциальным выключателем типа А.

Строго соблюдать действующие предписания и директивы, помимо электросхемы, поставляемой с горелкой!

- Убедитесь, что напряжение электропитания соответствует указанному рабочему напряжению в электросхеме и табличке с данными. Защита горелки : 5 А

Подключение разъемами

Горелка должна быть изолирована от сети с помощью всеполюсного размыкателя, соответствующего действующим стандартам. Горелка и теплогенератор (котел) подключены к клеммной колодке кабинета (рис.1).

Подключение газовой рампы

Выполните подключение газовой рампы при помощи розеток, установленных на горелке (рис.2).

Горелки производятся с соединениями, предназначенными для трехфазного электропитания 400В.

Горелки с электродвигателями мощностью 7,5 кВт или менее могут быть адаптированы под 220-230В (пожалуйста, следуйте инструкции на обратной стороне); электродвигатели большей мощности могут работать только при трехфазном электропитании 380-400В. Если требуемое исполнение горелки отличается от вышеупомянутого стандарта, рекомендуется сделать отдельное примечание при заказе.

Инструкция: как адаптировать электродвигатели мощностью 7.5 кВт или менее под электропитание 220-230В

Напряжение горелки можно изменить путем следующих действий:

1. Изменить соединение внутри клеммной коробки двигателя со "звезды" на соединение треугольником (см. рисунок 3);
2. Изменить настройку термореле в соответствии со значениями, указанными на шильдике двигателя. Если необходимо, замените термореле другим, с подходящей шкалой. Вышеуказанные действия невозможны для электродвигателей мощностью выше 7.5 кВт. Для более подробной информации, пожалуйста, свяжитесь с Ecoflam.

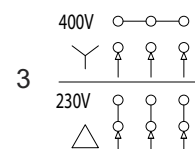
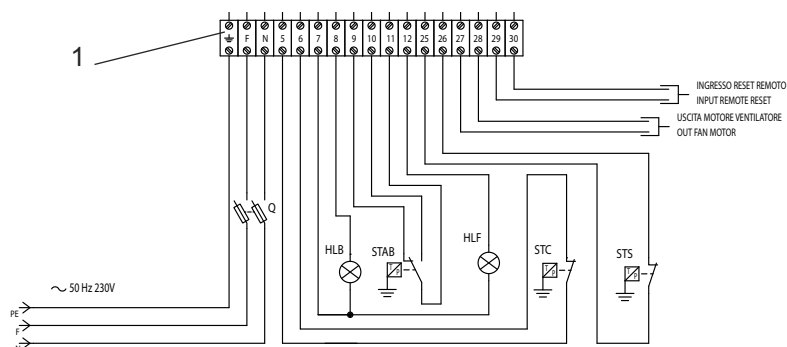
Положение электродов

Обязательно проверьте положение электродов после их замены или установки комплекта KIT GPL. Неправильное положение электродов может затруднить розжиг горелки или выявление.

Проверки перед пуском в эксплуатацию

Перед первым запуском следует проверить следующее:

- Убедитесь, что горелка установлена согласно настоящей инструкции.
- Предварительная регулировка горелки выполнена правильно, согласно указанным в таблице регулировок значениям.
- Настройка органов горения
- Теплогенератор должен быть готов к работе согласно инструкции по его использованию.
- Все электрические соединения выполнены правильно.
- Теплогенератор и система отопления заполнены достаточным количеством воды. Циркуляционные насосы действуют.
- Регуляторы температуры давления, устройство защиты от недостатка воды, а также другие предохранительные и защитные устройства, используемые на установке, правильно подсоединены и действуют.
- Вытяжная труба должна быть прочищена. Устройство для подачи дополнительного воздуха, если оно установлено, в рабочем состоянии.
- Гарантирована подача свежего воздуха.
- Получен запрос на тепло.
- Должно быть доступным достаточное давление газа.
- Топливопроводы установлены согласно техническим нормам, прочищены и проверена их герметичность.
- Согласно существующим нормам на вытяжной трубе должна находиться точка измерения. До этого места труба должна быть герметичной для того, чтобы подсос наружного воздуха не повлиял на результаты измерений.



Ввод в эксплуатацию - Регулировка горелки

Регулировка максимальной мощности горелки

Регулировка расхода воздуха и газа достигается за счет настройки параметров блока управления VT3xx. См. руководство по использованию блока управления VT3xx.

Регулировка минимальной мощности горелки

Регулировка расхода воздуха и газа достигается за счет настройки параметров блока управления VT3xx. См. руководство по использованию блока управления VT3xx.

Регулировка горелки в среднем диапазоне мощности

Регулировка расхода воздуха и газа достигается за счет настройки

Регулировка газового клапана

Отрегулируйте газовые клапаны в соответствии с инструкциями Руководства по эксплуатации газовой рампы.

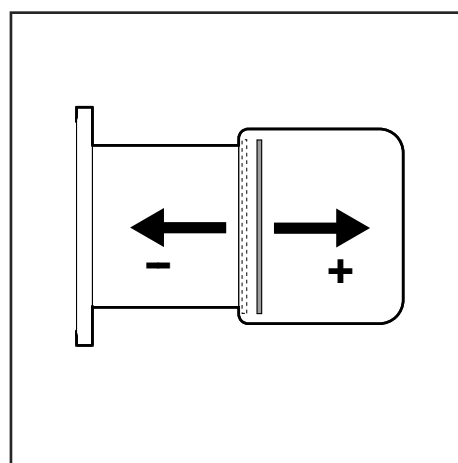
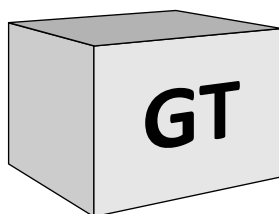
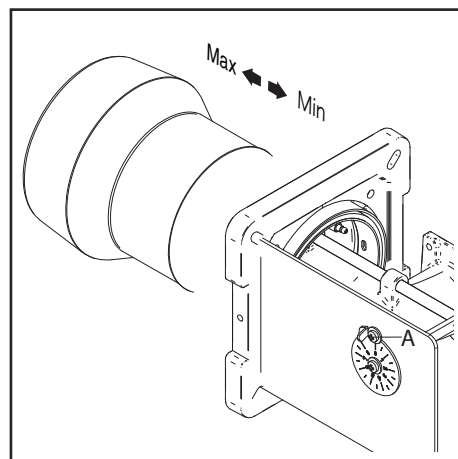
Внимание! Соблюдайте минимальную необходимую температуру дымовых газов, следуя указаниям производителя котла и принимая во внимание тип вытяжных труб, чтобы избежать эффекта конденсации.

параметров блока управления VT3xx. См. руководство по использованию блока управления VT3xx.

Регулировка огневой головки

Для оптимизации кпд сгорания может потребоваться отрегулировать положение огневой головки. При работе на малых мощностях головка задвигается назад, и, наоборот, выдвигается на больших мощностях. Положение головки регулируется следующим образом:

- ослабьте винт "А".
- регулировать огневой головки в требуемое положение.
- затяните винт "А".



Опасность вспышки! Постоянно контролируйте содержание CO, CO2 и дымовые выбросы в процессе регулировки. В случае образования CO оптимизируйте значения горения. Содержание CO не должно превышать 50 пропромилле.

Ввод в эксплуатацию - Регулировка реле давления воздуха и газа

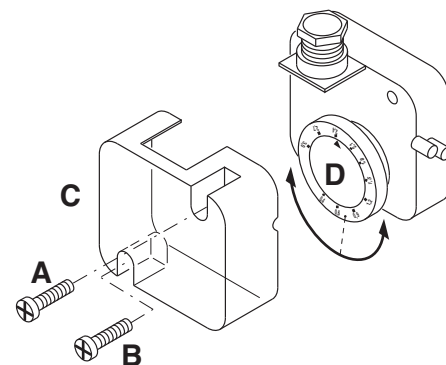
Регулировка реле давления воздуха

Реле давления воздуха контролирует давление вентиляции воздуха. Отвинтить винты **A** и **B** и снять крышку **C**. После настройки приборов воздуха и газа, с работающей горелкой медленно повернуть установочное кольцо **D** по часовой стрелке до остановки блока горелки. Прочтите значение, указанное на установочном кольце, понизив его на 15%.

Установить на место крышку **C** и

ввернуть винты **A** и **B**.

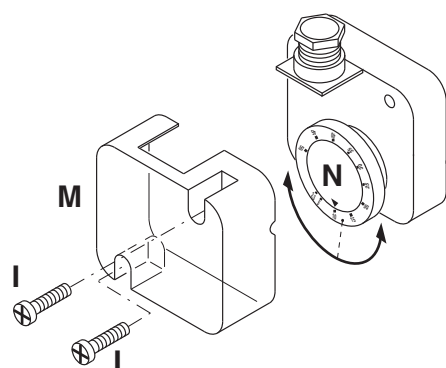
ВНИМАНИЕ: Реле давления позволит предотвратить, чтобы давление воздуха не опустилось ниже 85% от установленной величины, избегая таким образом превышения содержания CO в дымах 1%(10000 мг/м3).



Регулировка реле минимального давления газа

Функция реле минимального давления газа - следить за тем, чтобы давление газа перед газовым клапаном было не ниже минимального, при котором горелка работает нормально. Отвинтить винты **I** и **L** и снять крышку **M**. Установить регулятор **N** на значение равное 60% номинального давления газа (например, при номинальном давлении метана 20 мбар регулятор устанавливается на значение 12 мбар;

для сжиженного газа с номинальным давлением 30/37 мбар регулятор устанавливается на значение 18 мбар). Установить на место крышку **M** и ввернуть винты **I** и **L**.



Контроль функционирования

Контроль пламени должен быть выполнен как в случае первого запуска, так и после технического обслуживания или после длительного периода бездействия системы.

- Тест запуска с закрытым газовым краном:
блок управления должен сигнализировать сбой по причине нехватки газа или перейти в режим блокировки по окончании предохранительного времени.

Техническое - Работы по техническому обслуживанию

Работы по техническому обслуживанию котла и горелки должны выполняться только специалистом-теплотехником. Для обеспечения регулярного обслуживания пользователю рекомендуется заключить договор на техническое обслуживание.

Внимание

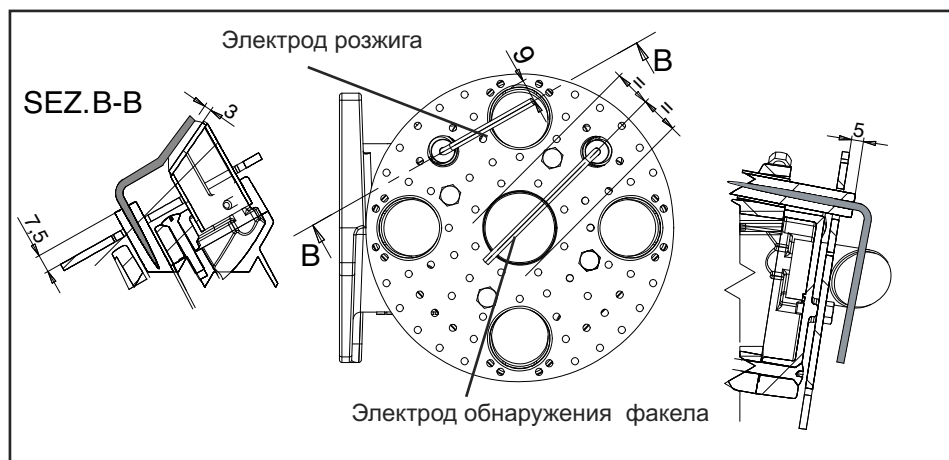
- Перед выполнением любых работ по техническому обслуживанию и очистке отключите электропитание.
- Блокирование и компоненты головки Могут быть горячими.

Проверка температуры топочных газов

- Регулярно проверяйте температуру дымовых газов.
- Выполняйте очистку котла, если температура продуктов сгорания более чем на 30° С превышает значение температуры, измеренное при пуске горелки в эксплуатацию.
- С целью упрощения контроля установить дисплей для визуализации температуры выхлопных дымов.

Положения для технического обслуживания

- Все компоненты системы подачи топлива (шланги, трубопроводы) и их соединения должны быть проверены (герметичность, износ) и, при необходимости, заменены.
- Проверьте все электрические подключения и кабели, при необходимости замените их.
- Проверьте состояние газового фильтра, очистите или замените его.
- Проверьте рабочее колесо вентилятора и корпус и убедитесь, что они не повреждены.
- Проверьте и очистите головку горелки.
- Проверьте электроды, при необходимости отрегулируйте или замените их.
- Запустите горелку, проверьте процесс сгорания и, при необходимости, откорректируйте регулировки горелки.
- Проверьте реле давления воздуха и реле давления газа.
- Проверьте чувствительность газовой рампы к регулировке.
- Выполнить контроль функционирования.



Техническое - Возможные неполадки

Причины неисправностей и способы их устранения

При отклонениях от нормы, должны быть проверены нормальные условия для работы горелки:

1. Есть электрический ток?
 2. Есть давление газа?
 3. Кран остановки подачи газа открыт?
 4. Правильно ли настроены все регулирующие и предохранительные устройства, такие как термореле котла, предохранитель от недостатка воды, электрические концевые выключатели?
- В случае, если после контролей в названных точках аномалия сохранится, пользоваться следующей таблицей.

Обслуживание

Периодическое обслуживание

Периодическое обслуживание горелки (головки, электродов и т.д.) должно выполняться квалифицированным персоналом. В зависимости от условий эксплуатации это делается один или два раза в год. Прежде чем приступить к проверке и последующему обслуживанию горелки рекомендуется произвести её общий осмотр.

Для этого:

- отключить энергоснабжение горелки (вытащить штекер из розетки);
- закрыть отсечной газовой кран;
- снять крышку горелки, прочистить вентилятор и всасывающий воздухопровод;
- прочистить головку горелки и проверить положение электродов;
- установить обратно все детали;
- проверить герметичность газовых соединений;
- проверить дымоход;
- запустить горелку;
- измерить параметры горения

Прежде, чем выполнять дальнейшие операции, необходимо проверить, верно, что:

- напряжение подается на установку, а горелка подключена;
- в сети имеется требуемое давления газа, и отсечной газовой кран находится в открытом положении;
- предохранительные устройства и

Ни один из существенных компонентов системы безопасности не должен ремонтироваться; эти компоненты должны заменяться компонентами с таким же обозначением.

Используйте только оригинальные запасные части.

NB: После проведения любых работ:

- выполните проверку параметров горения в реальных условиях эксплуатации (дверцы закрыты, крышка на месте и т. д.).
- отрегулировать параметры сгорания в технических документах станции.

приборы управления подключены правильно;

Если все вышеупомянутые условия соблюдены, нажатием кнопки перезапуска запустить горелку. Проверить рабочий цикл горелки.

Не происходит запуск горелки:

- Проверить выключатель, термостаты, двигатель и давление газа.

После предварительной продувки происходит блокировка горелки:

- Проверить давление газа и вентилятор.
- Проверить реле давления воздуха.

После предварительной продувки розжиг горелки не происходит:

- Проверить правильность установки электродов и их положение.
- Проверить провод розжига.
- Проверить трансформатор розжига.
- Проверить предохранительные устройства.

После розжига по истечении времени аварийной остановки происходит блокировка горелки:

- Проверить правильность подключения фазы и нуля.
- Проверить газовые электроклапаны.
- Проверить положение и правильность подключения электрода обнаружения пламени.
- Проверить состояние самого

электрода обнаружения пламени.

- Проверить предохранительные устройства.

Блокировка горелки происходит после ее непродолжительной нормальной работы:

- Проверить регулятор давления газа и газовый фильтр.
- Проверить давление газа с помощью манометра.
- Проверить параметры обнаружения пламени.

Inhalt - Inhaltsverzeichnis - Allgemeine Hinweise - Konformitätserklärung

Überblick	Technische Daten	3
	Größe	4
Inhalt	Inhaltsverzeichnis	55
	Allgemeine Hinweise	55
	Brennerbeschreibung	56
Funktion	Allgemeine Sicherheitsfunktionen	57
	LAMTEC... Steuerungs- und Sicherheitseinheit	58
Installation	Brennermontage	59
	Elektroanschluss	60
	Prüfungen vor der Inbetriebnahme	60
Inbetriebnahme	Regulierung des Brennerausgangs	61
	Regulierung des Luftdruckschalters - Einstellung des Gasdruckwächters	62
Service	Wartung	63
	Fehlerbehebung	64
Überblick	Elektro Schalt- und Anschlussschemata	65-66
	Ersatzteilliste	67-68
Inhalt	Konformitätserklärung	69

Wichtige Hinweise

Die BLU TS Brenner wurden für die schadstoffarme Verbrennung von Erd- und Propangas entworfen.

Die Auslegung und Betriebsweise der Brenner entsprechen der Norm EN676. Montage und Inbetriebnahme dürfen ausschließlich von autorisierten Fachkräften durchgeführt werden, wobei die geltenden Richtlinien und Vorschriften zu beachten sind.

Brennerbeschreibung

Die Blaubrenner BLU TS sind 2-stufig, vollautomatisch arbeitende Brenner in Duoblockausführung.

Die besondere Auslegung des Brennerkopfs sorgt für eine schadstoffarme Verbrennung mit hoher Brennleistung. Die Schadstoffwerte entsprechen der Klasse 3 (NOx<80mg/kWh), wie in der EN676 festgelegt ist. Je nach der Bemessung der Brennkammer, der Belastung und dem Feuerungssystem (Drehzugheizkessel, Heizkessel mit Umkehrfeuerung) können die Schadstoffwerte unterschiedlich sein. Sie eignen sich für Ausstattung aller konformen Wärmetauscher (nach EN303) und Heißluftgeräte (nach DIN 30697) innerhalb deren Leistungsbereich. Jede andere Verwendungsart erfordert die

Genehmigung von Ecoflam.

Für einen sicheren, umweltgerechten und energiesparenden Betrieb sind folgende Normen zu berücksichtigen:

EN 676

Automatische Brenner mit Gebläse für gasförmige Brennstoffe

EN 226

Anschluß von Ölzerstäubungs- und Gasbrennern mit Gebläse am Wärmeerzeuger.

EN 60335-1, -2-102

Sicherheit elektrischer Geräte für den Hausgebrauch und ähnliche Zwecke. Besondere Anforderungen für Gasbrennstoffgeräte.

Installationsort

Der Brenner darf nicht in Räumen mit aggressiven Dämpfen (z. B. Haarspray, Perchlorethylen, Tetrachlorkohlenstoff), starkem Staubanfall oder hoher Luftfeuchtigkeit (z. B. Waschküchen) in Betrieb genommen werden. Am Installationsort der Heizung muss eine angemessene Lüftung vorgesehen sein, um eine ausreichende Verbrennungsluftzufuhr zu gewährleisten. Aus kommunalen Vorschriften können sich

Abweichungen ergeben.

Wir lehnen jegliche Haftung für Schäden ab, die sich aus folgenden Gründen ergeben:

- unsachgemäße Benutzung
- fehlerhafte Montage bzw. Instandsetzung durch Käufer oder Dritte, einschließlich Einbringen von Teilen fremder Herkunft.

Übergabe und Bedienungsanweisungen

Der Installateur der Feuerungsanlage muss dem jeweiligen Betreiber spätestens bei der Übergabe der Anlage die Wartungs- und Bedienungsanweisungen übergeben. Diese sind gut sichtbar im Heizraum auszuhängen. Anschrift und Rufnummer der nächsten Kundendienststelle müssen eingetragen werden.

Wichtiger Hinweis für den Betreiber

Die Anlage sollte jährlich mindestens einmal von einer Fachkraft überprüft werden. Je nach Anlagentyp sind möglicherweise auch kürzere Wartungsintervalle erforderlich! Um eine regelmäßige Durchführung der Wartungsarbeiten zu gewährleisten, wird dem Betreiber der Anlage der Abschluss eines Wartungsvertrags empfohlen.

Ecoflam Brenner sind nach allen einschlägigen Vorschriften und Richtlinien entworfen und gebaut.

Alle Brenner entsprechen den Sicherheits- und Energiesparvorschriften im Rahmen ihrer jeweiligen Leistungsbereiche. Die Qualität wird durch das nach ISO 9001:2008 zertifizierte Qualitätsmanagementsystem garantiert



Inhalt - Brennerbeschreibung

BLU TS 1500.1 PR TC - HT SP 230-400-50

BEREICHSNAME NACH BRENNSTOFFTYP

BLU TS Gas

MODELLGRÖSSE (Gas: kW; Oil: kg/h)

BLU 1500.1 1550 kW

EMISSIONEN VERBRENNUNGSTYP

Standard Klasse 2 GAS EN676 (<120 mg/kWh)

LN Low NOx Klasse 3 GAS EN676 (<80 mg/kWh)

BETRIEBSART

PAB 2-stufig

PR Zweistufig-gleitend, mechanischer Verbund

E Modulierend, elektronischer Verbund

KOPFTYP

TC kurzer Brennerkopf

TL langer Brennerkopf

BRENNSTOFF

- Erdgas

LPG Flüssiggas

BIOGAS Biogas

AUSSTATTUNG

mit Gasarmatur

HT mit Gasarmatur + Hochtemperatur

HT SP mit Gasarmatur + Hochtemperatur + Sondermodell

SGT Separate Gasarmatur

SGT HT Separate Gasarmatur + Hochtemperatur

STROMVERSORGUNG DES SYSTEMS

230-400-50 230-400 Volt, 50 Hz

Lieferung

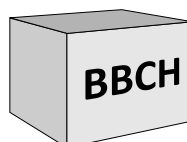
Der Brenner wird in einem modularen Verpackungssystem (Baugruppen separat verpackt) geliefert:

BBCH: Brennerkorpus mit Brennerkopf und Flansch.

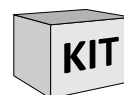
- 1 Tasche mit :- Mehrsprachigem technischen Handbuch.
- Schlüssel.
- Schrauben, Muttern und Unterlegscheiben.

GT: Separate Gasrampe

KIT & ACS sind separat bestellbar und werden getrennt geliefert



BAUSATZ UND ZUBEHÖR
werden separat geliefert



Funktion - Allgemeine Sicherheits-Funktionen

Beschreibung der Betriebsweise

Beim ersten Einschalten wird- nach einer Spannungsunterbrechung, einer Sicherheitsabschaltung, einer Gasleckage oder einer 24stündigen Stillstandszeit eine Vorbelüftung gestartet.

Während der Vorbelüftungsphase wird:

- der Gebläsedruck überwacht,
- der Feuerraum auf Fremdlicht überwacht
- Flammenanzeichen kontrolliert.

Nach der Vorbelüftung wird:

- die Zündung eingeschaltet,
- die Gasventile geöffnet,
- die Flamme bildet sich.

Überwachung

- Die Flamme wird durch eine Ionisationssonde überwacht.
- Die Sonde verfügt über einen Isolationskörper und ist im Mischkopf befestigt. und wird durch die Stauscheibe in die Flammenwurzel geführt. Die Sonde darf keine Berührung zur Brennermischkopf oder dem also der Masse haben. Wenn eine Verbindung zur

Masse entsteht schaltet der Brenner auf Störung und der Betrieb wird unterbrochen. Während des Betriebs bildet sich in der Flamme bei korrekter Funktion ein ionisierter Bereich durch den ein Gleichstrom von der Sonde zum Mischkopf fließt.

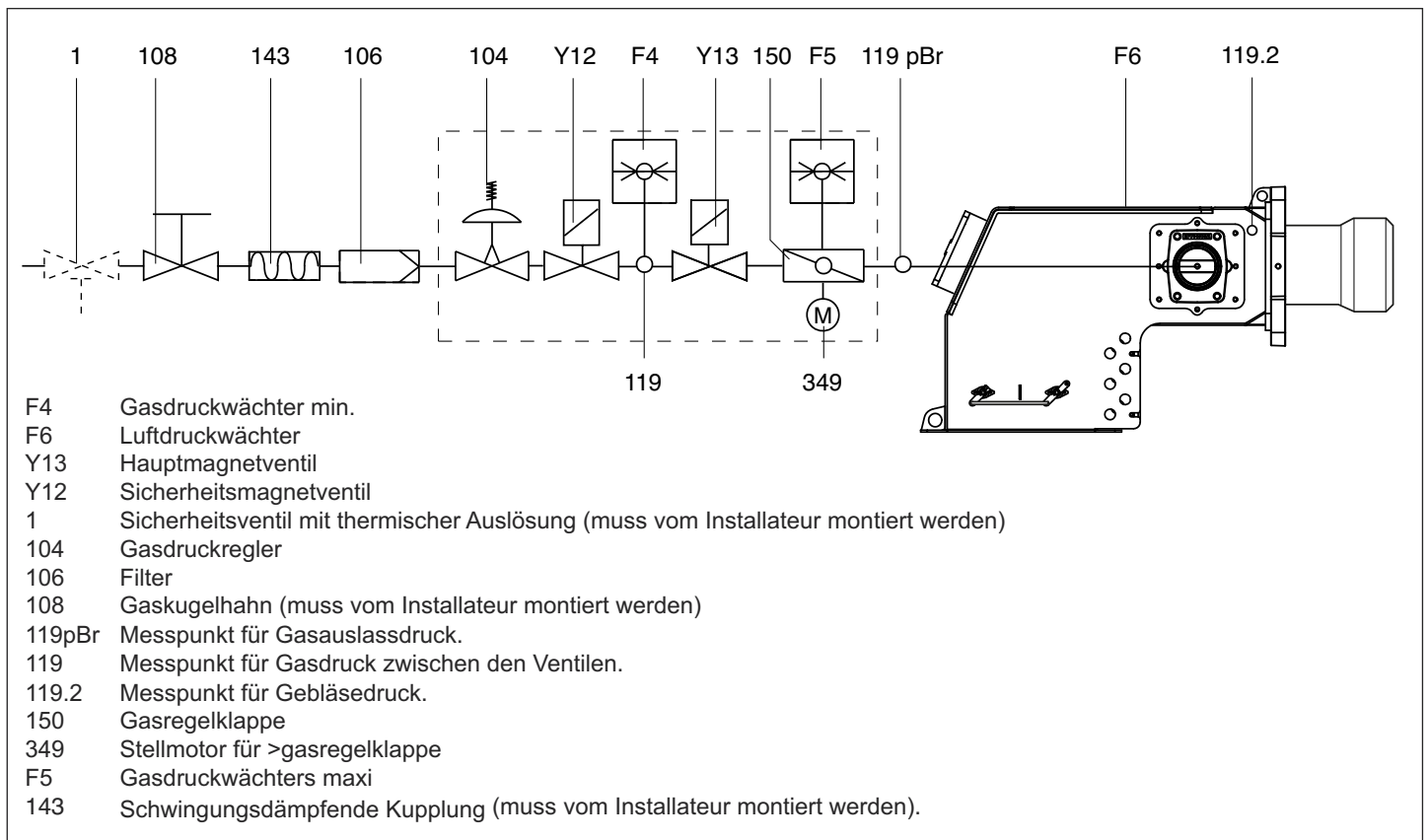
Sicherheitsfunktion

- Wenn beim Brennerstart (Brennstofffreigabe) keine Flamme entsteht schaltet der Brenner nach einer Sicherheitszeit von 3sek. Auf Störung. Die Gasventile werden geschlossen.
- Wenn die Flamme während des Betriebs erlischt, wird die Gaszufuhr innerhalb einer Sekunde unterbrochen. Darauf erfolgt ein neuer Startvorgang. Wenn der Brenner startet, wird der Vorgang fortgesetzt. Anderfalls tritt eine Sicherheitsabschaltung ein.
- Fällt während der Vorbelüftung oder des Startvorgangs der Gebläsedruck ab, wird der Brenner abgeschaltet. Fällt der Gasdruck ab startet der Brenner nicht, im etrieb wird der Brenner abgeschaltet.
- Bei einem Gasmangel startet der

Brenner nicht oder schaltet sich ab.

Regelabschaltung

- Der Regelthermostat öffnet und unterbricht die Leistungsanforderung,
- Die Gas-Magnetventile schließen sich.
- Die Flamme erlischt.
- Der Brennermotor schaltet sich ab.
- Der Brenner ist betriebsbereit.




Funktion - Lamtec BT330 Gas-Steuergerät




Der Feuerungsautomat BT 3xx steuert und überwacht den Gebläsebrenner. Durch den Mikroprozessorgesteuerten Programmablauf ergeben sich äußerst stabile Zykluszeiten, unabhängig von Schwankungen der Netzspannung oder der Umgebungstemperatur. Der Feuerungsautomat ist mit einer Netzausfallerkennung ausgestattet. Je nach Parametrierung schaltet der Automat, beim Unterschreiten der Netzspannung, entweder auf Störung oder geht in Wartestellung. In der Wartestellung erfolgt ein selbständiger Wiederanlauf sobald der eingestellte Schwellenwert um 105% überschritten wird.

Manuelle Verriegelung und Entriegelung

Der Automat kann mit Hilfe des Entstörknopfes  manuell verriegelt (abgesichert) oder entriegelt werden, vorausgesetzt, der Automat wird mit Spannung versorgt. Diese Funktion ist nicht mit der automatischen Verriegelung und Störquittierung im Fehlerfall zu verwechseln.



Vor Ein- oder Ausbau des Automaten, Gerät spannungslos machen. Der Automat darf nicht geöffnet oder repariert werden.

Die Betätigung des Knopfes  für verursacht
... 1 Sekunde ...	die Entriegelung des Feuerungsautomaten.
... 4 Sekunden ...	die Verriegelung des Feuerungsautomaten



Bewegen des Cursors nach oben



Bewegen des Cursors nach unten



Erhöhen des markierten Wertes.



Verringern des markierten Wertes.



Ändern / Bestätigen des markierten Wertes

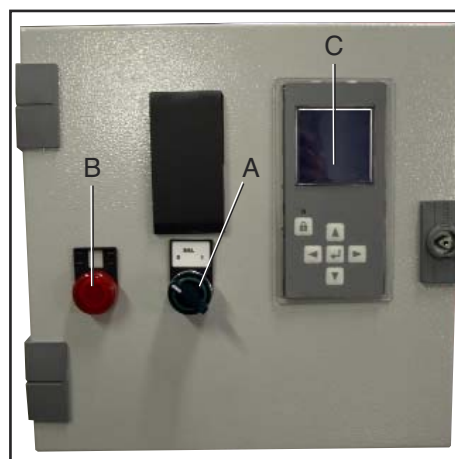


Entriegeln des Feuerungsautomaten.



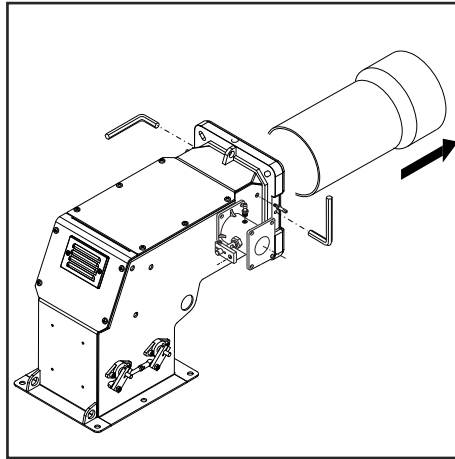
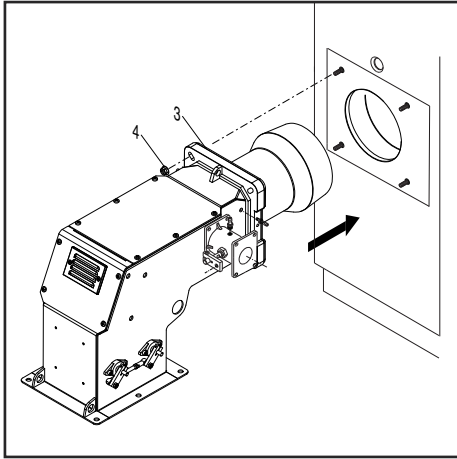
Rote Leuchtdiode (blinkt bei Störung)

Funktion - Schalttafel



- A Schalter I/O
- B Signallampe thermischer Block
- C display

Installation - Brennermontage



Brennermontage

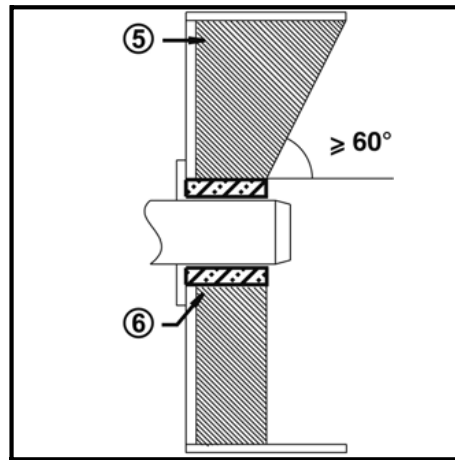
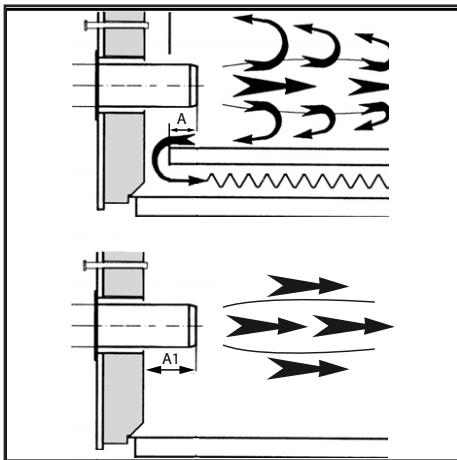
Der Brenner wird mit dem Anschlussflansch am Heizkessel befestigt.

Einbau:

- Anschlußflansch 3 mit Schrauben 4 am Kessel befestigen.

Ausbau :

- Die Schrauben lösen und den Brenner entfernen.



Brennerrohr-Einbautiefe und Ausmauerung

Bei Wärmeerzeugern ohne gekühlte Vorderwand ist, sofern der Kesselhersteller keine anderen Angaben macht, eine Ausmauerung oder eine Isolierung 5 wie in der nebenstehenden Abbildung erforderlich. Die Ausmauerung darf die Vorderkante des Flammrohrs nicht überragen und mit höchstens 60° konisch zulaufen. Der Luftspalt 6 ist mit einem elastischen, nicht brennbaren Isolationsmaterial auszufüllen. Bei Heizkesseln mit Umkehrfeuerung muss die Mindestdiefe beim Einsetzen des Schlauchs A laut Anweisungen des Kesselherstellers eingehalten werden.

Bei Kesseln mit ist die Eintauchtiefe des Flammrohrs nach den Angaben des Kesselherstellers zu beachten.

Caldaie ad inversione di fiamma :

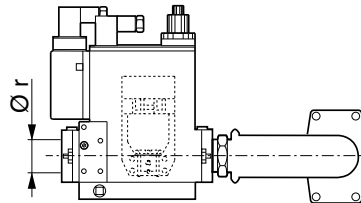
A = 50-100 mm.

Caldaie a tre giri di fumo :

A1 = 50-100 mm.

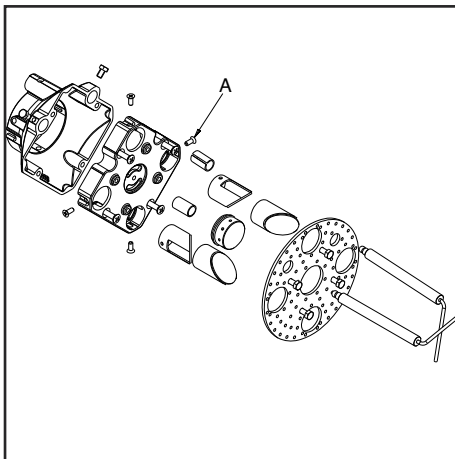
Gasleitungen

Bei der Installation der Gasleitungen und des Gas-Zugs müssen die Bestimmungen und Richtlinien in der EN676 befolgt werden. Gemäß den Der Installateur muss auch zusätzliches Zubehör installieren, das von den örtlichen Bestimmungen vorgeschrieben wird.



Allgemeine Bestimmungen für den Gasanschluss

- Die Gasrampe darf nur von einem autorisierten Fachmann an das Gasnetz angeschlossen werden.
- Der Querschnitt des Gasrohrs sollte so bemessen sein, dass der Gaszufuhrdruck nicht unter den vorgeschriebenen Wert abfällt.
- ein Gaskugelhahn (nicht im Lieferumfang enthalten) muss vor der Gasrampe montiert werden.



Abgasanlage

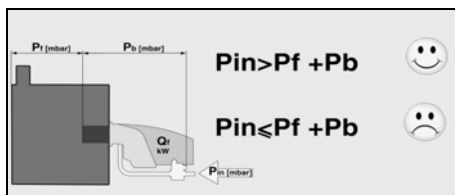
Um eine eventuelle ungünstige Schallemissionen zu vermeiden, sollten nach Möglichkeit keine rechtwinkligen Anschlussstücke bei der rauchgasseitigen Anbindung des Kessels verwendet werden.

LPG UMWANDLUNG

KITLPG	
KITLPG-BLU500.1	3124487
KITLPG-BLU700.1	3124488
KITLPG-BLU1000.1-1500.1	3124489

Für den Umbau von Erdgasbetrieb auf Flüssiggasbetrieb ist wie folgt vorzugehen:

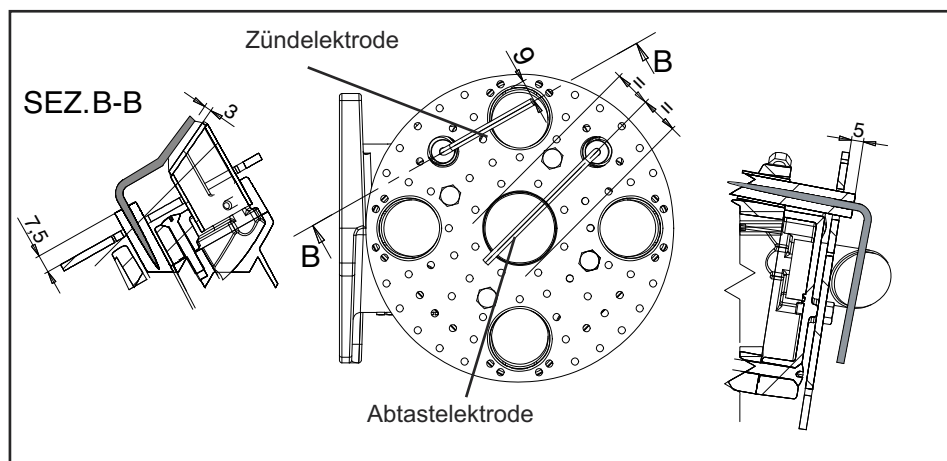
- Die Arretierung entfernen.
- Die Zündelektrode entfernen.
- Die 4 Gasdüsen ausbauen und gegen die Flüssiggasdüsen ersetzen.
- Die Scheibe entfernen.
- Die Nase gegen die für das Flüssiggas austauschen.
- Die Scheibe und die Zündelektrode wieder korrekt montieren.
- Die Blockierung gegen die für das Flüssiggas austauschen.



LEGENDE

Pf: Feuerraumwiderstand
Pb: Brennergasdruckverlust (Druckverlust des Mischkopfs und der gesamten Gasrampe),
Pin: minimaler Gasanschlussdruck

Installation - Elektroanschluss - Kontrollen für der Inbetriebnahme



Elektroanschluss

Die Elektroinstallation und Anschlussarbeiten dürfen ausschließlich vom Elektrofachmann ausgeführt werden. Dabei sind die geltenden Vorschriften und Richtlinien zu beachten.

Bei der Elektroinstallation ist ein Trennschalter vom Typ A einzusetzen.

Es sind alle anwendbaren Richtlinien und Vorschriften sowie der mit dem Brenner gelieferte Stromlaufplan zu beachten!

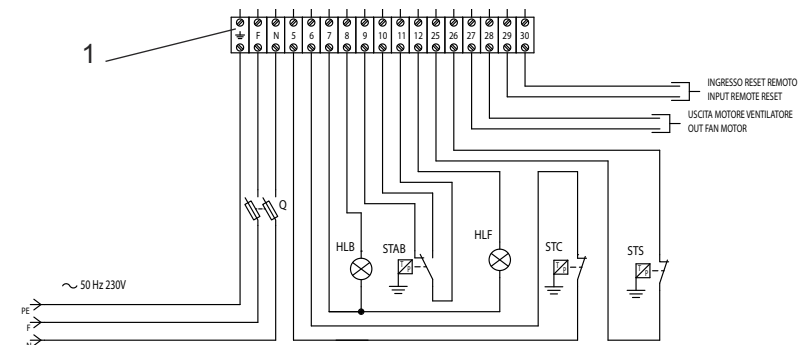
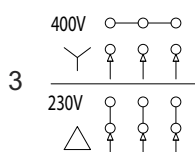
- Sicherstellen, dass die Spannungsversorgung den Angaben auf dem Stromlaufplan und dem Kennschild entspricht.
- Brennerabsicherung: 5 A.

Elektroanschluss über Steckverbindungen

Der Brenner muss mit einer den geltenden Normen entsprechenden allpoligen Abschaltvorrichtung vom Netz getrennt werden können. Die Brenner und die Thermogeneratoren (Kessel) werden durch Anschluss an das Klemmbrett der Tafel miteinander verbunden (Abb.1).

Anschluss der Gasrampe

Die Gasrampe an die Stecker am Brenner anschliessen Abb.2



Die Brenner sind für den Anschluss an eine Dreiphasen-Versorgung von 400 V geeignet.

Die Brenner mit Elektromotoren von einer Leistung unter oder gleich 7,5 KW können für eine Versorgung von 220-230 V angepasst werden (siehe Anweisungen auf der Rückseite); Für Motoren mit höheren Leistungen ist nur eine Dreiphasen-Versorgung von 380-400 V möglich. Sind Brenner, die nicht den oben angegebenen Standardausführungen entsprechen, muss dieses in der Bestellung ausdrücklich angegeben werden.

Anweisungen: Wie werden Elektromotoren unter oder gleich 7,5 KW für Versorgung von 220-230 V angepasst

Die Spannung des Brenners kann folgendermaßen geändert werden:

1. Die Verbindung innerhalb der Versorgungsdose des Elektromotors umändern: Von Stern auf Dreieck (siehe Abbildung 3);
2. Die Eichung des Thermo-Relais, in Bezug auf die auf dem Schild des Elektromotors angegebenen Aufnahmewerte, ändern. Sofern erforderlich, das Thermorelais gegen ein anderes mit geeigneter Skala auswechseln. Dieser Vorgang ist für Motore über 7,5 KW nicht möglich. Für ausführlichere Informationen wenden Sie sich bitte an das Personal von Ecoflam

Düsen austausch

Zur Einstellung der Ionisationssonde und der Zündeletrode siehe nebenstehendes Diagramm. Nach Tausch und bei Umbau auf Flüssiggasbetrieb sind die Elektroden-einstellungen grundsätzlich zu überprüfen. Eine falsche Einstellung kann zu Startproblemen führen.

Kontrollen vor Inbetriebnahme

Vor der Erstinbetriebnahme sollten die folgenden Punkte geprüft werden.

- Der Brenner wurde gemäß vorliegender Anleitung montiert.
- Der Brenner wurde gemäß den Angaben in der Einstelltabelle voreingestellt.
- Die Mischeinrichtung wurde eingestellt.
- Der Wärmeerzeuger muss betriebsbereit sein, die Betriebsvorschriften für den Wärmeerzeuger müssen eingehalten werden.
- Alle Elektroanschlüsse müssen vorschriftsmäßig ausgeführt sein.
- Wärmeerzeuger und Heizanlage sind mit Wasser gefüllt, die Umwälzpumpen sind in Betrieb.
- Temperaturregler, Druckregler, Wassermangelsicherung und andere eventuell vorhandene Begrenzungs- und Sicherheitsvorrichtungen sind angeschlossen und funktionsfähig.
- Der Schornstein muss frei und die Nebenluftvorrichtung, falls vorhanden, in Betrieb sein.
- Es muss eine ausreichende Frischluftzufuhr gewährleistet sein.
- Es muss eine Wärmeabnahme vorhanden sein.
- Es muss genügend Gasdruck vorhanden sein.
- Die Brennstoffleitungen müssen fachgerecht montiert, auf Dichtheit geprüft und entlüftet sein.
- Ein normgerechter Messpunkt muss vorhanden sein und das Abzugsrohr bis zum Messpunkt muss dicht sein, damit die Messergebnisse nicht verfälscht werden.

Inbetriebnahme - Regelung des Brenners

Einstellung der Maximalleistung des Brenners

Die Einstellungen von Luft und Gas erfolgen durch die Regelung der Parameter von BT3xx. Siehe die Bedienungsanleitung BT3xx.

Einstellung der Mindestleistung des Brenners

Die Einstellungen von Luft und Gas erfolgen durch die Regelung der Parameter von BT3xx. Siehe die Bedienungsanleitung BT3xx.

Einstellung der Zwischenleistungen des Brenners

Die Einstellungen von Luft und Gas erfolgen durch die Regelung der Parameter von BT3xx. Siehe die Bedienungsanleitung BT3xx.

Einstellung des Gasventils

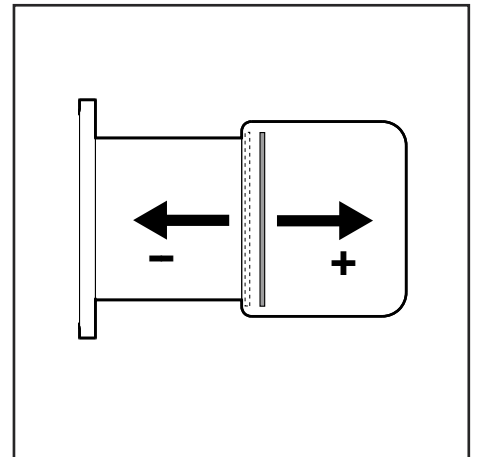
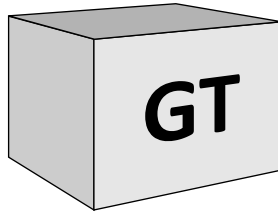
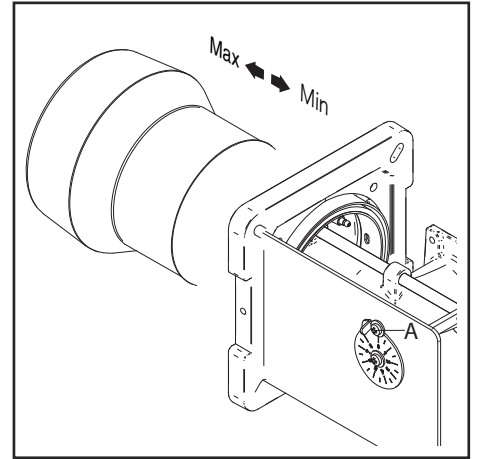
Für die Gaseinstellung des gewünschten Gas-Zugs wird auf das betreffende Handbuch verwiesen

Achtung : Minimal erforderliche Abgastemperatur nach Angaben des Kesselherstellers und nach Anforderungen Abgaswege zur Vermeidung von Kondensation beachten.

Brennerkopfeinstellung

Die Einstellung der Brennerkopfposition dient zur Verbesserung der Verbrennungsleistung. Bei Anwendungen mit Minstdurchsatz des Brenners wird der Kopf nach hinten verschoben, bei maximaler Leistung nach vorne bewegt. Ausführung:

- Schraube lösen A.
- einstellen die Brennerkopfposition bis die gewünschte Position erreicht wird.
- Schraube A wieder anziehen.



Verpuffungsgefahr!

Während der Einstellarbeiten permanent CO- und CO₂-Gehalt sowie Abgase kontrollieren. Bei CO- Bildung Verbrennungswerte optimieren. Der CO-Gehalt darf 50 ppm nicht überschreiten.

Inbetriebnahme- Einstellung des Luftdruckwächters- Einstellung des Gasdruckwächters

Einstellung des Luftdruckschalters

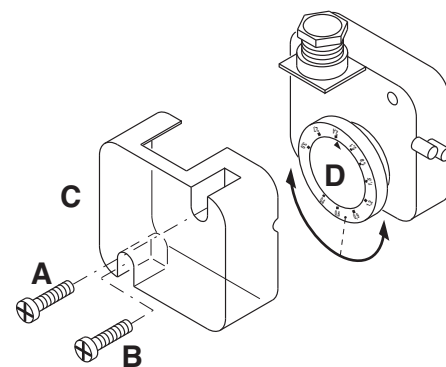
Der Luftdruckschalter kontrolliert den Lüfterluftdruck.

Die Schrauben A und B abschrauben und den Deckel C abnehmen.

Nachdem die Luft- und Gaszufuhr eingestellt wurden, den Ring D bei laufendem Brenner langsam im Uhrzeigersinn drehen, bis der Brenner blockiert wird. Den Wert auf dem Ring ablesen und diesen um 15 % reduzieren. Danach den Deckel C wieder

anschrauben.

ACHTUNG: Der Luftdruckwächter überwacht, dass der Gebläsedruck einen Wert von 85% des eingestellten Druckes nicht unterschreitet, sonst schaltet er den Brenner ab. Damit wird sichergestellt, dass im Abgas ein CO- wert von 1% nicht überschritten wird.



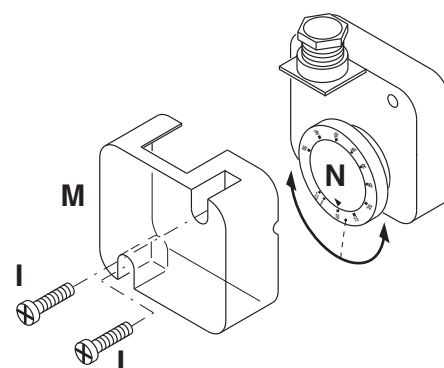
Gasdruckschalter min.

Der Gasdruckschalter hat die Aufgabe den Gasdruck am Eintritt der Gasarmatur zu überwachen und stellt sicher das ein minimaler Gasdruck für eine korrekten Betrieb des Brenners erreicht wird.

Ansonsten schaltet er den Brenner ab..

Den Deckel M abschrauben und abnehmen. Den Regler N auf einen Wert einstellen, der 60 % des nominalen Gaszufuhrdrucks entspricht (z.B. Nenndruck für Erdgas = 20 mbar; den Regler auf einen Wert von 12 mbar einstellen; Nenndruck für LPG G30/G31 = 30/37 mbar; den Regler auf einen Wert

von 18 mbar einstellen). Den Deckel M wieder anschrauben.



Betriebskontrolle

Eine Sicherheitskontrolle des Flammenwächters muss sowohl bei der Inbetriebnahme als auch nach Überholungen oder nach einer langen Stillstandszeit der Anlage durchgeführt werden.

- Beim Teststart wird der Gasgerätehahn geschlossen. Der Feuerungsautomat muss eine Betriebsunterbrechung durch Gasmangel anzeigen oder nach Ablauf der Sicherheitszeit eine Brennerstörung auslösen.

Service - Wartung

Servicearbeiten an Kessel und Brenner führt ausschließlich der geschulte Heizungsfachmann durch. Um eine regelmäßige Durchführung der Servicearbeiten zu gewährleisten sollte dem Betreiber der Anlage der Abschluß eines Wartungsvertrages empfohlen werden.

Achtung

- Das Flammrohr und der Mischkopf können sehr heiss sein.
- Das Blasrohr und der Zündkopf können sehr heiß sein.

Wartungsarbeiten am Brenner

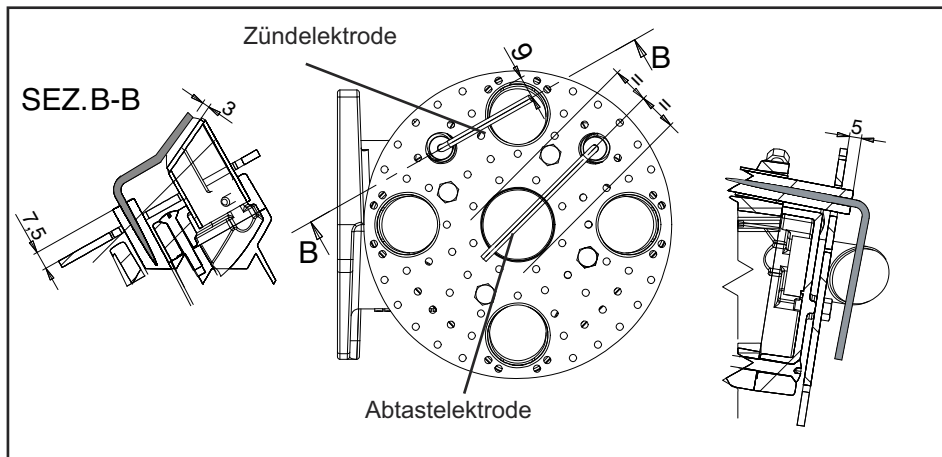
- Die Gaszufuhrkomponenten (Rohre, Leitungen) sowie deren Verbindungen auf Undichtigkeiten oder Verschleißerscheinungen prüfen, ggf. austauschen.
- Elektrische Anschlüsse und Verbindungskabel auf Beschädigungen überprüfen, ggf. austauschen.
- Den Gasfilter überprüfen, reinigen oder ggf. austauschen.
- Das Lüfterrad und das Gehäuse reinigen und auf Beschädigungen prüfen.
- Die Mischeinheit kontrollieren und reinigen.
- Zündelektroden prüfen, ggf. nachju-

Kontrolle der Abgastemperatur

- regelmäßig die Abgastemperatur überprüfen.
- Kessel reinigen, wenn die Abgastemperatur den Wert der Inbetriebnahme um mehr als 30°C überschreitet.
- setzen Sie zur Vereinfachung der Kontrolle eine Abgastemperaturanzeige ein.

stieren oder austauschen.

- Brenner starten, Abgasdaten kontrollieren, Brennereinstellungen ggf. korrigieren.
- Die Einstellung des Luftdruckwächters und des Gasdruckwächters überprüfen.
- Die Einstellung der Gasrampe überprüfen.
- Eine Funktionskontrolle durchführen.



Service - Fehlerbehebung

Ursachen und Beseitigung von Störungen

Bei Störungen müssen die grundsätzlichen Voraussetzungen zum ordnungsgemäßen Betrieb kontrolliert werden:

1. Ist Strom vorhanden?
2. Ist genügend Gasdruck vorhanden?
3. Ist das Gas-Absperrventil offen?
4. Sind alle Regel- und Sicherheitsgeräte wie Kesselthermostat,

Manutenzione

Jährliche kontrolle

Die Kontrolle des Brenners (Brennkopf, Elektroden usw.) muß je nach Benutzung ein- oder zweimal jährlich von qualifiziertem Fachpersonal durchgeführt werden.

Vor der Kontrolle für die Wartung des Brenners ist es ratsam, den allgemeinen Zustand des Brenners zu überprüfen und die folgenden Operationen durchzuführen:

- Spannung vom Brenner abklemmen (Stecker ziehen).
- Gashahn schließen.
- Deckel vom Brenner abnehmen, Gebläse und Luftansaugung reinigen.
- Brennkopf reinigen und Position der Elektroden kontrollieren.
- Teile wieder montieren.
- Dichtigkeit der Anschlüsse kontrollieren.
- Kamin kontrollieren.
- Brenner zünden.
- Die Verbrennungswerte kontrollieren

Vor jedem eingriff kontrollieren :

- daß Strom an Anlage und Brenner angeschlossen ist.
- daß der Gasdruck korrekt und der Gashahn offen ist.
- daß die Kontrollsysteme richtig angeschlossen sind. Wenn dies der Fall ist, den Brenner durch Drücken der Taste zünden. Die Zyklen des Brenners kontrollieren.

Wassermangelsicherung, Endschalter etc. eingestellt?

Falls die Betriebsstörung anhält, verwenden Sie die folgende Tabelle. Sicherheitskomponenten dürfen nicht repariert, sondern müssen durch Teile mit derselben Bestellnummer ersetzt werden

Wenn der brenner nicht zündet :

Schalter, Thermostate, Motor und Gasdruck kontrollieren.

- Der Brenner führt eine Vorventilation durch und bleibt am Ende des Zyklusses stehen:
- Luftdruck und Gebläse kontrollieren.
- Luftdruckwächter kontrollieren.

Der brenner führt die vorventilation durch und zündet nicht:

- Montage und Position der Elektroden kontrollieren.
- Zündkabel kontrollieren.
- Zündtransformator kontrollieren.
- Sicherheitsvorrichtung kontrollieren.

Der Brenner zündet geht aber nach kurzer Zeit auf Störung :

- Kontrollieren, das Nullleiter und Phase korrekt angeschlossen sind.
- Gas-Magnetventil kontrollieren.
- Position und Anschluß der Meßsonde kontrollieren.
- Meßsonde kontrollieren.
- Sicherheitsvorrichtung kontrollieren.

Der brenner zündet und geht nach einigen minuten aus :

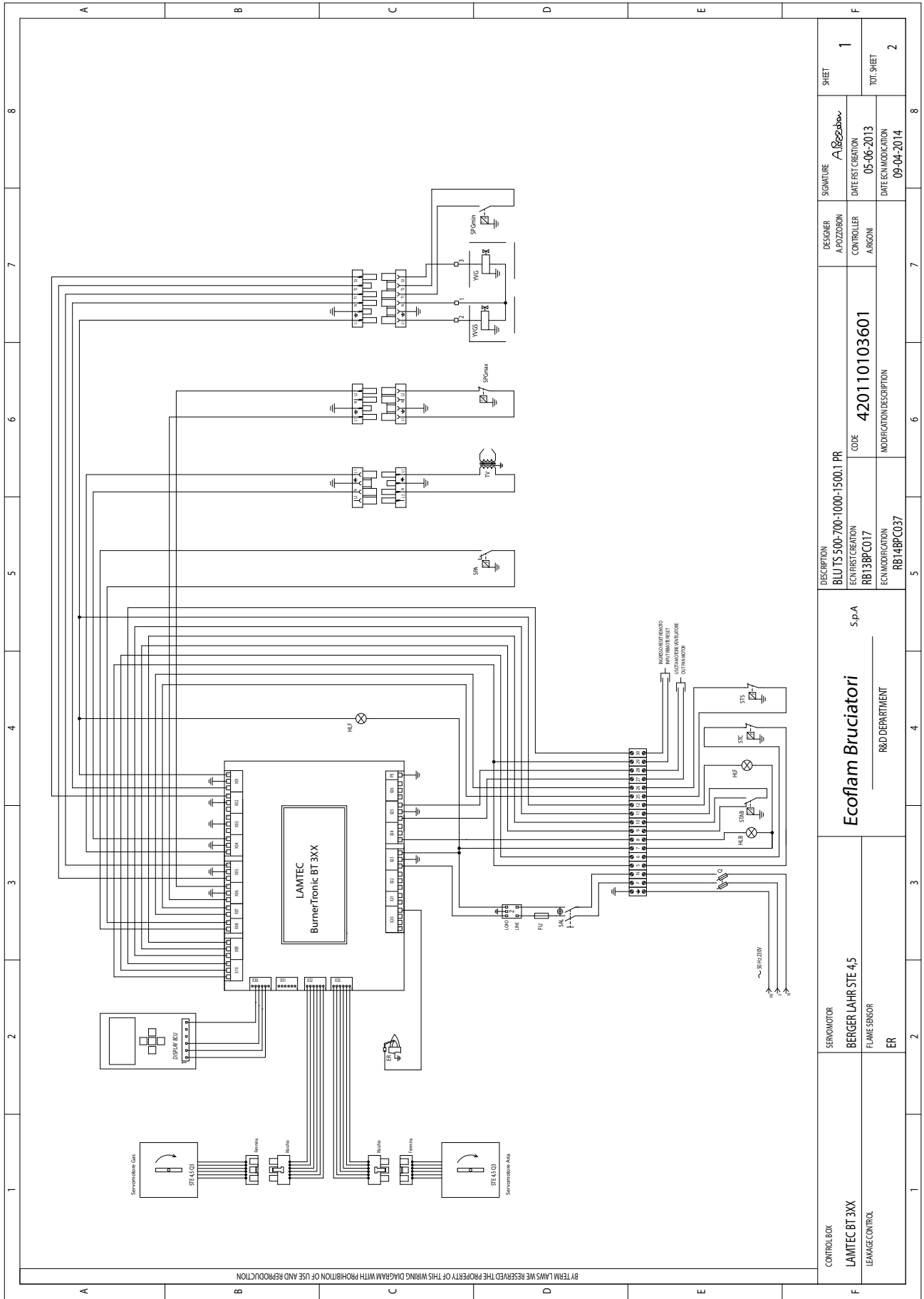
- Gasdruckregler und Filter kontrollieren.
- Gasdruck mit Manometer kontrollieren.
- Meßwert kontrollieren.

Nur Originalersatzteile verwenden.

NB: Nach jedem Eingriff Verbrennungs

- Werte bei Betriebsbedingungen kontrollieren (geschlossene Heizraumtür, montierte Haube, usw.).
- Die Ergebnisse in den entsprechenden Dokumenten eintragen.

Overview - Electric diagrams / Панорамica - Schemi elettrici / Vue d'ensemble - Schémas électrique / Descripción - Esquemas eléctrico /
Обзор - Электрические схемы / Überblick - Elektro Schalt- und Anschlussschemata



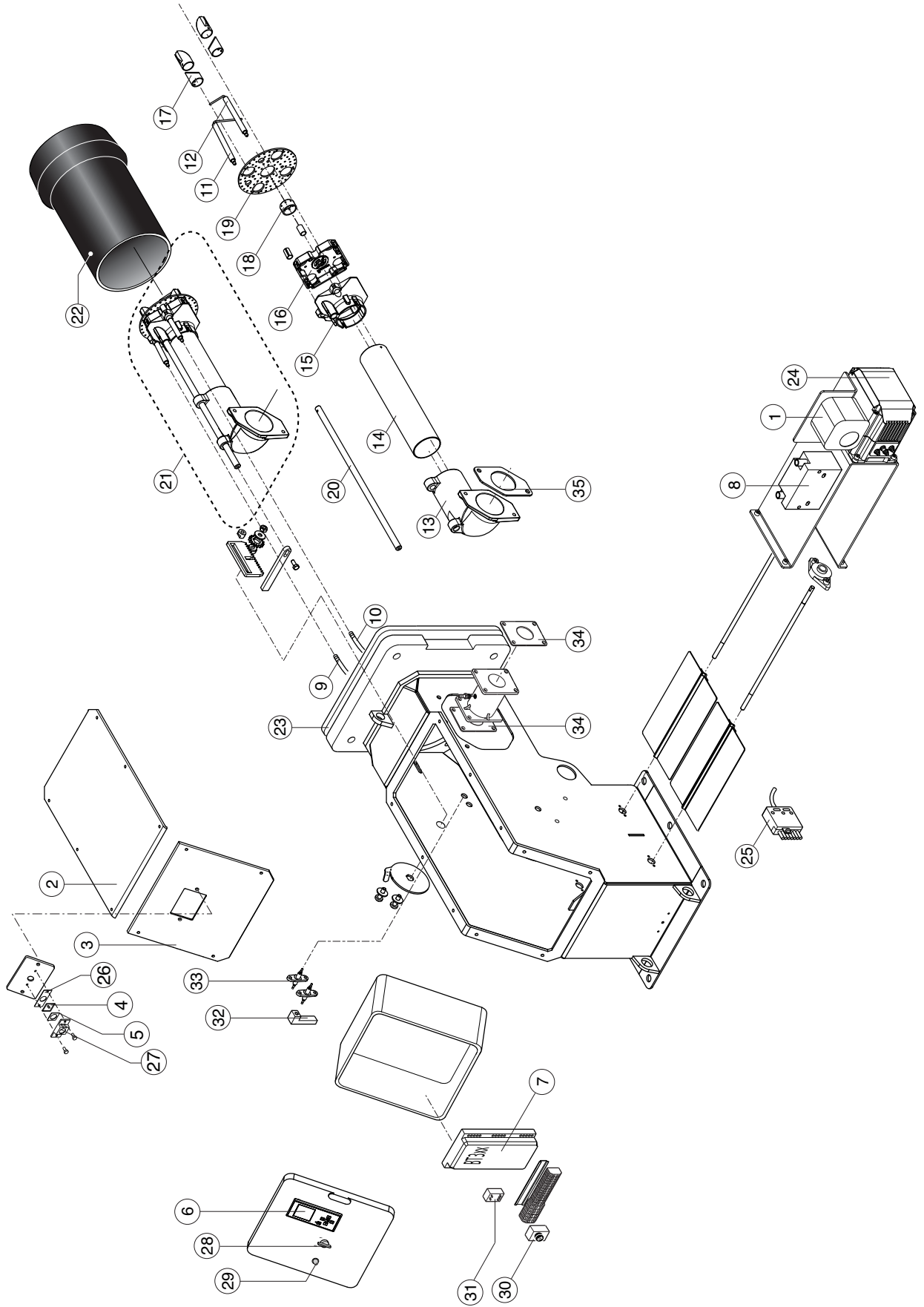
CONTROL BOX LAMTEC BT 3XX LEAKAGE CONTROL		SERVOMOTOR BERGER LAHR STE 4.5 FLAME SENSOR ER		Ecoflam Bruciatori S.p.A R&D DEPARTMENT				DESCRIPTION BLUTS 500-700-1000-1500.1 PR EQUIPMENT CREATION RB13BPC017 EQUIPMENT MODIFICATION RB14BPC037		DESIGNER A.PAZZUBON CONTROLLER A.RIZONI		SIGNATURE A. Gezzobon		SHEET 1	
				CODE 420110103601		MODIFICATION DESCRIPTION		DATE 1ST CREATION 05-06-2013		DATE 1ST CREATION		DATE 1ST CREATION		TOT. SHEET 2	

Overview - Electric diagrams / Panoramica - Schemi elettrici / Vue d'ensemble - Schémas électrique / Descripción - Esquemas eléctrico /
Обзор - Электрические схемы / Überblick - Elektrische Diagramme

	1	2	3	4	5	6	7	8																																
A	<table border="1"> <tr> <td>Q</td> <td>INTERRUTTORE GENERALE CON FUSIBILE MAIN SWITCH WITH FUSE INTERRUPTEUR GENERAL AVEC FUSIBLE INTERRUPTOR GENERAL CON FUSIBLE</td> </tr> <tr> <td>Z</td> <td>FILTRO ANTIDISTURBO ANTI-FLAMMING FILTER FILTRE ANTI-PARASITES FILTRO DE PROTECCION ANTIDISTURBO</td> </tr> <tr> <td>FU</td> <td>FUSIBILE FUSE FUSIBLE FUSIBLE</td> </tr> <tr> <td>TV</td> <td>TRASFORMATORE IGNITION TRANSFORMER TRANSFORMATEUR D'ALLUMAGE TRANSFORMADOR</td> </tr> <tr> <td>ER</td> <td>ELETTRODO DI RIVELAZIONE IONISATION PROBE ELECTRODE IONISATION ELECTRODO DE IONIZACION</td> </tr> <tr> <td>HLB</td> <td>LAMPADA DI BLOCCO LOCK-OUT LAMP LAMP DE SECURITE ESPA DE BLOQUEO</td> </tr> <tr> <td>SAL</td> <td>INTERRUTTORE DI LINEA WORKING SWITCH INTERRUPTEUR DE LIGNE INTERRUPTOR DE LINEA</td> </tr> <tr> <td>SPA</td> <td>PRESSOSTATO ARIA AIR PRESSURE SWITCH PRESOSTAT AIR PRESOSTATO AIRE</td> </tr> <tr> <td>STC</td> <td>TERMOSTATO CALDAIA SAFETY THERMOSTAT THERMOSTAT CHAUDIERE THERMOSTAT CALDERA</td> </tr> <tr> <td>STS</td> <td>TERMOSTATO DI SICUREZZA SAFETY THERMOSTAT THERMOSTAT DE SECURITE THERMOSTAT DE SEGURIDAD</td> </tr> <tr> <td>STAB</td> <td>TERMOSTATO DI ALTA BASSA Fiamma HIGH-LOW FLAME THERMOSTAT THERMOSTAT GRAND PETITE ALLURE THERMOSTAT DE ALTA-BAJA LLAMA</td> </tr> <tr> <td>YVS</td> <td>ELETTROVALVOLA GAS PRIMA Fiamma FIRST STAGE GAS SOLENOID VALVE ELECTROVANNE GAZ PETITE ALLURE ELECTROVALVULA GAS DE 1^a LLAMA</td> </tr> <tr> <td>YVS</td> <td>ELETTROVALVOLA GAS DISCUREZZA EXTRA SAFETY GAS SOLENOID VALVE ELECTROVANNE GAZ DE SECURITE ELECTROVALVULA GAS DE SEGURIDAD</td> </tr> <tr> <td>SPmin</td> <td>PRESOSTATO GAS DI MINIMA GAS PRESSURE SWITCH MIN PRESOSTAT GAZ PRESSION MIN PRESOSTATO GAS DE MINIMA POT.</td> </tr> <tr> <td>SPmax</td> <td>PRESOSTATO GAS DI MASSIMA GAS PRESSURE SWITCH MAX PRESOSTAT GAZ PRESSION MAX PRESOSTATO GAS DE MAXIMA POT.</td> </tr> <tr> <td>HLF</td> <td>LAMPADA DI FUNZIONAMENTO WORKING LAMP LAMP DE FONCTIONNEMENT ESPA DE FUNCIONAMIENTO</td> </tr> </table>								Q	INTERRUTTORE GENERALE CON FUSIBILE MAIN SWITCH WITH FUSE INTERRUPTEUR GENERAL AVEC FUSIBLE INTERRUPTOR GENERAL CON FUSIBLE	Z	FILTRO ANTIDISTURBO ANTI-FLAMMING FILTER FILTRE ANTI-PARASITES FILTRO DE PROTECCION ANTIDISTURBO	FU	FUSIBILE FUSE FUSIBLE FUSIBLE	TV	TRASFORMATORE IGNITION TRANSFORMER TRANSFORMATEUR D'ALLUMAGE TRANSFORMADOR	ER	ELETTRODO DI RIVELAZIONE IONISATION PROBE ELECTRODE IONISATION ELECTRODO DE IONIZACION	HLB	LAMPADA DI BLOCCO LOCK-OUT LAMP LAMP DE SECURITE ESPA DE BLOQUEO	SAL	INTERRUTTORE DI LINEA WORKING SWITCH INTERRUPTEUR DE LIGNE INTERRUPTOR DE LINEA	SPA	PRESSOSTATO ARIA AIR PRESSURE SWITCH PRESOSTAT AIR PRESOSTATO AIRE	STC	TERMOSTATO CALDAIA SAFETY THERMOSTAT THERMOSTAT CHAUDIERE THERMOSTAT CALDERA	STS	TERMOSTATO DI SICUREZZA SAFETY THERMOSTAT THERMOSTAT DE SECURITE THERMOSTAT DE SEGURIDAD	STAB	TERMOSTATO DI ALTA BASSA Fiamma HIGH-LOW FLAME THERMOSTAT THERMOSTAT GRAND PETITE ALLURE THERMOSTAT DE ALTA-BAJA LLAMA	YVS	ELETTROVALVOLA GAS PRIMA Fiamma FIRST STAGE GAS SOLENOID VALVE ELECTROVANNE GAZ PETITE ALLURE ELECTROVALVULA GAS DE 1 ^a LLAMA	YVS	ELETTROVALVOLA GAS DISCUREZZA EXTRA SAFETY GAS SOLENOID VALVE ELECTROVANNE GAZ DE SECURITE ELECTROVALVULA GAS DE SEGURIDAD	SPmin	PRESOSTATO GAS DI MINIMA GAS PRESSURE SWITCH MIN PRESOSTAT GAZ PRESSION MIN PRESOSTATO GAS DE MINIMA POT.	SPmax	PRESOSTATO GAS DI MASSIMA GAS PRESSURE SWITCH MAX PRESOSTAT GAZ PRESSION MAX PRESOSTATO GAS DE MAXIMA POT.	HLF	LAMPADA DI FUNZIONAMENTO WORKING LAMP LAMP DE FONCTIONNEMENT ESPA DE FUNCIONAMIENTO
Q	INTERRUTTORE GENERALE CON FUSIBILE MAIN SWITCH WITH FUSE INTERRUPTEUR GENERAL AVEC FUSIBLE INTERRUPTOR GENERAL CON FUSIBLE																																							
Z	FILTRO ANTIDISTURBO ANTI-FLAMMING FILTER FILTRE ANTI-PARASITES FILTRO DE PROTECCION ANTIDISTURBO																																							
FU	FUSIBILE FUSE FUSIBLE FUSIBLE																																							
TV	TRASFORMATORE IGNITION TRANSFORMER TRANSFORMATEUR D'ALLUMAGE TRANSFORMADOR																																							
ER	ELETTRODO DI RIVELAZIONE IONISATION PROBE ELECTRODE IONISATION ELECTRODO DE IONIZACION																																							
HLB	LAMPADA DI BLOCCO LOCK-OUT LAMP LAMP DE SECURITE ESPA DE BLOQUEO																																							
SAL	INTERRUTTORE DI LINEA WORKING SWITCH INTERRUPTEUR DE LIGNE INTERRUPTOR DE LINEA																																							
SPA	PRESSOSTATO ARIA AIR PRESSURE SWITCH PRESOSTAT AIR PRESOSTATO AIRE																																							
STC	TERMOSTATO CALDAIA SAFETY THERMOSTAT THERMOSTAT CHAUDIERE THERMOSTAT CALDERA																																							
STS	TERMOSTATO DI SICUREZZA SAFETY THERMOSTAT THERMOSTAT DE SECURITE THERMOSTAT DE SEGURIDAD																																							
STAB	TERMOSTATO DI ALTA BASSA Fiamma HIGH-LOW FLAME THERMOSTAT THERMOSTAT GRAND PETITE ALLURE THERMOSTAT DE ALTA-BAJA LLAMA																																							
YVS	ELETTROVALVOLA GAS PRIMA Fiamma FIRST STAGE GAS SOLENOID VALVE ELECTROVANNE GAZ PETITE ALLURE ELECTROVALVULA GAS DE 1 ^a LLAMA																																							
YVS	ELETTROVALVOLA GAS DISCUREZZA EXTRA SAFETY GAS SOLENOID VALVE ELECTROVANNE GAZ DE SECURITE ELECTROVALVULA GAS DE SEGURIDAD																																							
SPmin	PRESOSTATO GAS DI MINIMA GAS PRESSURE SWITCH MIN PRESOSTAT GAZ PRESSION MIN PRESOSTATO GAS DE MINIMA POT.																																							
SPmax	PRESOSTATO GAS DI MASSIMA GAS PRESSURE SWITCH MAX PRESOSTAT GAZ PRESSION MAX PRESOSTATO GAS DE MAXIMA POT.																																							
HLF	LAMPADA DI FUNZIONAMENTO WORKING LAMP LAMP DE FONCTIONNEMENT ESPA DE FUNCIONAMIENTO																																							
B	BY TERM LANS WE RESERVE THE PROPERTY OF THIS WIRING DIAGRAM WITH PROHIBITION OF USE AND REPRODUCTION																																							
C																																								
D																																								
E																																								
F	<table border="1"> <tr> <td>CONTROL BOX LAMITEC BT 3XX LEAKAGE CONTROL</td> <td>SEVENOMOTOR BERGER LAHR STE 4.5 FLAME SENSOR ER</td> </tr> </table>		CONTROL BOX LAMITEC BT 3XX LEAKAGE CONTROL	SEVENOMOTOR BERGER LAHR STE 4.5 FLAME SENSOR ER	<table border="1"> <tr> <td colspan="2">Ecoflam Bruciatori</td> </tr> <tr> <td colspan="2">S.p.A</td> </tr> <tr> <td colspan="2">R&D DEPARTMENT</td> </tr> </table>		Ecoflam Bruciatori		S.p.A		R&D DEPARTMENT		<table border="1"> <tr> <td>DESCRIPTION BLUTS 500-700-1000-1500.1 PR</td> <td>DESIGNER A.POZZOBON</td> </tr> <tr> <td>ECN FIRST CREATION RB13BP0C17</td> <td>CONTROLLER ALBIGNI</td> </tr> <tr> <td>ECN MODIFICATION RB14BP0C37</td> <td>DATE ECN MODIFICATION 09-04-2014</td> </tr> </table>		DESCRIPTION BLUTS 500-700-1000-1500.1 PR	DESIGNER A.POZZOBON	ECN FIRST CREATION RB13BP0C17	CONTROLLER ALBIGNI	ECN MODIFICATION RB14BP0C37	DATE ECN MODIFICATION 09-04-2014	<table border="1"> <tr> <td>DATE FIRST CREATION 05-06-2013</td> <td>SIGNATURE A. Pozzobon</td> </tr> <tr> <td>DATE ECN MODIFICATION 09-04-2014</td> <td>SHEET 2</td> </tr> <tr> <td>TOT. SHEET 2</td> <td></td> </tr> </table>		DATE FIRST CREATION 05-06-2013	SIGNATURE A. Pozzobon	DATE ECN MODIFICATION 09-04-2014	SHEET 2	TOT. SHEET 2													
CONTROL BOX LAMITEC BT 3XX LEAKAGE CONTROL	SEVENOMOTOR BERGER LAHR STE 4.5 FLAME SENSOR ER																																							
Ecoflam Bruciatori																																								
S.p.A																																								
R&D DEPARTMENT																																								
DESCRIPTION BLUTS 500-700-1000-1500.1 PR	DESIGNER A.POZZOBON																																							
ECN FIRST CREATION RB13BP0C17	CONTROLLER ALBIGNI																																							
ECN MODIFICATION RB14BP0C37	DATE ECN MODIFICATION 09-04-2014																																							
DATE FIRST CREATION 05-06-2013	SIGNATURE A. Pozzobon																																							
DATE ECN MODIFICATION 09-04-2014	SHEET 2																																							
TOT. SHEET 2																																								

Overview - Spare parts list / Panoramica - Parti di ricambio / Vue d'ensemble - Pièces de rechange / Descripción - Piezas de recambio /
Обзор - Запчасти / Überblick - Ersatzteilliste

BLU TS 500.1 PR HT
BLU TS 700.1 PR HT
BLU TS 1000.1 PR HT



Overview - Spare parts list / Panoramica - Parti di ricambio / Vue d'ensemble - Pièces de rechange / Descripción - Piezas de recambio /
Обзор - Запчасти / Überblick - Ersatzteilliste

Blu TS 500.1 PR Blu TS 700.1 PR Blu TS 1000.1 PR			
N° DESCRIPTION	DESCRIZIONE	DESIGNATION	code code
1 AIR PRESSURE SWITCH	PRESSOSTATO ARIA	DUNGS LGW10 A2P	65323047 65323047 65323047
2 UP COVER	COPERCHIO SUPERIORE	COUVERCLE TOP	65324163 65324163 65324163
3 DOWN COVER	COPERCHIO INFERIORE	COUVERCLE BAS	65324164 65324164 65324164
4 GLASS	VETRINO	HUBLOT	65321883 65321883 65321883
5 GASKET	GUARNIZIONE	JOINT	65321948 65321948 65321948
6 DISPLAY	DISPLAY	DISPLAY	65300975 65300975 65300975
7 CONTROL BOX	APPARECCHIATURA	COFFRET DE SECURITE	65325776 BT 330 667R1330-1 65325776 65325776
8 IGNITION TRANSFORMER	TRASFORMATORE	TRASFORMATEUR D'ALLUMAGE	65323227 65323227 65323227
9 IONIZATION CABLE	CAVO RILEVAZIONE	CABLE D'IONISATION	65326438 TC 65326438 65326438
10 IGNITION CABLE	CAVO ACCENSIONE	CABLE D'ALLUMAGE	65326438 TC 65326438 65326438
11 IONIZATION PROBE	ELETTRODO RILEVAZIONE	SONDE D'IONISATION	65320902 65320902 65320902
12 IGNITION ELECTRODES	ELETTRODO ACCENSIONE	ELECTRODE D'ALLUMAGE	65320903 65320903 65320903
13 HEAD SUPPORT PIPE	TUBO SUPPORTO TESTA	TUYAU SUPPORT TETE	65324209 65324209 65324209
14 HEAD PIPE	TUBO TESTA	TUYAU TETE	65321649 TC 65321649 65321649
15 FIRING HEAD	TESTA DI COMBUSTIONE	TETE DE COMBUSTION	65321646 65321646 65321646
16 HEAD CAP	TAPPO TESTA	CALOTTE TETE	65321647 65321647 65321647
17 DIFFUSER	TERMINALE DIFFUSORE	DIFFUSEUR	65321652 65321652 65321653
18 TOOTH	NASELLO	MENTONNET	65324161 65324161 65324161
19 FRONT DISC	DISCO ANTERIORE	DISQUE ANTERIEUR	65320822 65320822 65324345
20 ROD	ASTA REGOLAZIONE TESTA	SUPPORT	65326070 TC 65326070 65326070
21 INNER ASSEMBLY	GRUPPO TESTA	GROUPE TETE DE COMBUSTION	65326084 TC 65326084 65326085
22 BLAST TUBE	BOCCAGLIO	GUEULARD	65326072 TC 65326071 65326073
23 GASKET ISOMART	FLANGIA ISOMART	BRIDE ISOMART	65321115 65321115 65321116
24 AIR DAMPER MOTOR	MOTORIDUTTORE	MOTOREDUCTEUR	65311650 STE 4,5 BT3XX 65311650 65311650
25 PLUG WIELAND	SPINA WIELAND	FICHE MALE WIELAND	65322072 6 pin 65322072 65322072
26 GASKET	GUARNIZIONE	JOINT	65321949 65321949 65321949
27 PEED WINDOW FRAME	CORNICE OBLO	PROTECTION HULBOT	65321884 65321884 65321884
28 MAIN SWITCH	INTERRUTTORE DI LAVORO	INTERRUPTEUR DE TRAVAIL	65324098 ART.ECX1252 65324098 65324098
29 LAMP	LAMPADA	LAMPE	65324100 LYVIA 10X28 BA9S 65324100 65324100
30 FUSE SUPPORT	PORTA FUSIBILE	PORTEFUSIBLE	65324279 HK 520 04-1 10A 65324279 65324279
31 ANTIJAMMING FILTER	FILTRO ANTIDISTURBO	FILTRE ANTIPARASITES	65323170 65323170 65323170
32 CONNECTOR	CONNETTORE	CONNECTEUR	65326145 65326145 65326145
33 ELECTRODE	ELETTRODO	ELECTRODE	65326146 65326146 65326146
34 GASKET	GUARNIZIONE	JOINT	65326092 65326092 65326092
35 GASKET	GUARNIZIONE	JOINT	65326152 65326152 65326152

TC = Testa corta / Short Head / Tete courte / Cabeza corta / КОРОТКАЯ ГОЛОВА / SKURZER BRENNERKOPF TL = Testa lunga / Long Head / Tete longue / Cabeza larga / ДЛИННАЯ ОГНЕВАЯ ГОЛОВА / LANGER BRENNERKOPF

Overview - Spare parts list / Panoramica - Parti di ricambio / Vue d'ensemble - Pièces de rechange / Descripción - Piezas de recambio /
 Обзор - Запчасти / Überblick - Ersatzteilliste

Blu TS 500.1 PR Blu TS 700.1 PR Blu TS 1000.1 PR				
N° DESCRIPCIÓN	ОПИСАНИЕ	code	code	code
1 PRESÓSTATO AIRE	РЕЛЕ ДАВЛЕНИЯ ВОЗДУХА	65323047	DUNGS LGW10 A2P	65323047
2 TAPA SUPERIOR	ВЕРХ.КРЫШКА	65324163		65324163
3 TAPA INFERIOR	НИЖНЯЯ КРЫШКА	65324164		65324164
4 VIDRIOSO	СТЕКЛО	65321883		65321883
5 JUNTA	УПЛОТНЕНИЕ	65321948		65321948
6 DISPLAY	DISPLAY	65300975		65300975
7 EQUIPO CONTROL LLAMA	БЛОК УПРАВЛЕНИЯ	65325776	BT 330 667R1330-1	65325776
8 TRANSFORMADOR	ТРАНСФОРМАТОР РОЗЖИГА	65323227		65323227
9 CABLE DE CONTROL LLAMA	ПРОВОД ЭЛЕКТРОДА ОБНАРУЖДЕНИЯ ФАКЕ	65326438	TC	65326438
10 CABLE DE ENCENDIDO	ПРОВОД РОЗЖИГА	65326438	TC	65326438
11 ELECTRODO DE CONTROL LLAMA	ЭЛЕКТРОД ОБНАРУЖДЕНИЯ ПЛАМЕНИ	65320902		65320902
12 ELECTRODO DE ENCENDIDO	ЭЛЕКТРОДЫ РОЗЖИГА	65320903		65320903
13 TUBO SOPORTE CABEZA DE COMBUSTIÓN	КРЕПЕЖНАЯ ТРУБКА ОГНЕВОЙ ГОЛОВКИ	65324209		65324209
14 TUBO CABEZA DE COMBUSTIÓN	ТРУБКА ОГНЕВОЙ ГОЛОВКИ	65321649	TC	65321649
15 CABEZA DE COMBUSTIÓN	ОГНЕВАЯ ГОЛОВКА	65321646		65321646
16 TAPA CABEZA DE COMBUSTIÓN	ДЕРЖАТЕЛЬ ГОЛОВКИ	65321647		65321647
17 DIFUSOR	РАСРЕКАТЕЛЬ	65321652		65321653
18 MANGUITO	ВСТАВКА	65324161		65324161
19 DISCO ANTERIOR	ПЕРЕДНИЙ ДИСК	65320822		65320822
20 SOPORTE CABEZA DE COMBUSTIÓN	РЕГУЛИРОВОЧНЫЙ ШТОК ОГНЕВОЙ ГОЛОВКИ	65326070	TC	65326070
21 GRUPO CABEZA DE COMBUSTIÓN	ОГНЕВАЯ ГОЛОВКА В СБОРЕ	65326084	TC	65326083
22 TUBO LLAMA	СТАКАН ОГНЕВОЙ ГОЛОВКИ	65326072	TC	65326071
23 JUNTA ISOMART	ФЛАНЕЦ ISOMART	65321115		65321115
24 MOTORREDUCTOR	ПРИВОД ВОЗДУШНОЙ ЗАСЛОНКИ	65311650	STE 4.5 BT3XX	65311650
25 ESPIA WIELAND	ВИЛКА WIELAND	65322072	6 pin	65322072
26 JUNTA	УПЛОТНЕНИЕ	65321949		65321949
27 SOPORTE VIDRIOSO	РАМКА СМОТРОВОГО СТЕКЛА	65321884		65321884
28 INTERRUPTOR DE LINEA	ГЛАВНЫЙ ВЫКЛЮЧАТЕЛЬ	65324098	ART.ECX1252	65324098
29 ESPIA	ИНДИКАТОРНАЯ ЛАМПОЧКА	65324100	LYVIA 10X28 BA9S	65324100
30 PORTAFUSIBLE	ГНЕЗДО ПЛАВКОГО ПРЕДОХРАНИТЕЛЯ	65324279	HK 520 04-1 10A	65324279
31 FILTRO DE PROTECION ANTIDISTURBIO	ФИЛЬТР ПОДАВЛЕНИЯ ПОМЕХ	65323170		65323170
32 CONECTOR	РАЗЪЕМ	65326145		65326145
33 ELECTRODO	ЭЛЕКТРОДЫ	65326146		65326146
34 JUNTA	УПЛОТНЕНИЕ	65326092		65326092
35 JUNTA	УПЛОТНЕНИЕ	65326152		65326152

TC = Testa corta / Short Head / Tête courte / Cabeza corta / КОРОТКАЯ ОГНЕВАЯ ГОЛОВКА / SKURZER BRENNERKOPF TL = Testa lunga / Long Head / Tête longue / Cabeza larga / ДЛИННАЯ ОГНЕВАЯ ГОЛОВКА / LANGER BRENNERKOPF

Contents - Conformity declaration / Contenuti generali - Dichiarazione di conformità / Contenus généraux - Déclaration de conformite / Contenidos generales - Declaración de conformidad / Содержание - Сертификат соответствия / Inhalt - Konformitätserklärung

Declaration of conformity for gas burners

We,
Ecoflam Bruciatori S.p.A.

declare under our sole responsibility that the gas burners named
BLU TS 500.1 PR
BLU TS 700.1 PR
BLU TS 1000.1 PR
BLU TS 1200.1 PR

conform to the following standards:
EN 676: 2008
EN 60335-1: 2008
EN 60335-2-30: 2006
EN 60335-2-102: 2007
EN 55014-1: 2008 + A1: 2009
EN 55014-2: 1998 + A1: 2001 + A2: 2008

These products bear the CE mark in accordance with the stipulations of the following directives:
2009/142/EEC Gas Appliance Directive
2006/95/EEC Low Voltage Directive
2004/108/EEC EMC Directive
2006/42/EC Machinery directive

Resana, 28th June 2011
M. PANIZZON

Dichiarazione di conformità per bruciatori a gas

Noi,
Ecoflam Bruciatori S.p.A.

dichiariamo sotto la nostra responsabilità, che i bruciatori a gas
BLU TS 500.1 PR
BLU TS 700.1 PR
BLU TS 1000.1 PR
BLU TS 1200.1 PR

sono conformi alle norme elencate :
EN 676: 2008
EN 60335-1: 2008
EN 60335-2-30: 2006
EN 60335-2-102: 2007
EN 55014-1: 2008 + A1: 2009
EN 55014-2: 1998 + A1: 2001 + A2: 2008

Questi prodotti vengono contrassegnati con il marchio CE nel rispetto delle direttive:
2009/142/EEC Gas Appliance Directive
2006/95/EEC Low Voltage Directive
2004/108/EEC EMC Directive
2006/42/EC Machinery directive

Resana, 28 Giugno 2011
M. PANIZZON

Déclaration de conformité pour brûleurs de gaz

Nous ,
Ecoflam Bruciatori S.p.A.

déclarons sous notre responsabilité, que les brûleurs de gaz
BLU TS 500.1 PR
BLU TS 700.1 PR
BLU TS 1000.1 PR
BLU TS 1200.1 PR

sont en conformité avec les normes suivantes:
EN 676: 2008
EN 60335-1: 2008
EN 60335-2-30: 2006
EN 60335-2-102: 2007
EN 55014-1: 2008 + A1: 2009
EN 55014-2: 1998 + A1: 2001 + A2: 2008

Ces produits sont marqués avec la marque CE dans le respect des directives:
2009/142/EEC Gas Appliance Directive
2006/95/EEC Low Voltage Directive
2004/108/EEC EMC Directive
2006/42/EC Machinery directive

Resana, 28 Juin 2011
M. PANIZZON

Declaración de conformidad para quemadores de gas

Nosotros,
Ecoflam Bruciatori S.p.A.

declaramos bajo nuestra responsabilidad que los quemadores de gas
BLU TS 500.1 PR
BLU TS 700.1 PR
BLU TS 1000.1 PR
BLU TS 1200.1 PR

cumplen las normas siguientes :
EN 676: 2008
EN 60335-1: 2008
EN 60335-2-30: 2006
EN 60335-2-102: 2007
EN 55014-1: 2008 + A1: 2009
EN 55014-2: 1998 + A1: 2001 + A2: 2008

Estos productos están marcados con la marca CE de conformidad con la directivas:
2009/142/EEC Gas Appliance Directive
2006/95/EEC Low Voltage Directive
2004/108/EEC EMC Directive
2006/42/EC Machinery directive

Resana, 28 de junio 2011
M. PANIZZON

Декларация о соответствии для газовых горелок

Мы, компания
Ecoflam Bruciatori S.p.A.

заявляем под свою ответственность, что газовые горелки
BLU TS 500.1 PR
BLU TS 700.1 PR
BLU TS 1000.1 PR
BLU TS 1200.1 PR

соответствуют требованиям следующих стандартов :
EN 676: 2008
EN 60335-1: 2008
EN 60335-2-30: 2006
EN 60335-2-102: 2007
EN 55014-1: 2008 + A1: 2009
EN 55014-2: 1998 + A1: 2001 + A2: 2008

Эти изделия маркируются знаком CE в соответствии с директивами:
2009/142/EEC Gas Appliance Directive
2006/95/EEC Low Voltage Directive
2004/108/EEC EMC Directive
2006/42/EC Machinery directive

Resana, 28 июня 2011
M. PANIZZON

Konformitätserklärung für Gasbrenner

Wir,
Ecoflam Bruciatori S.p.A.

erklären in alleiniger Verantwortung, dass das Gasbrenner benannt
BLU TS 500.1 PR
BLU TS 700.1 PR
BLU TS 1000.1 PR
BLU TS 1200.1 PR

entsprechen den folgenden Normen:
EN 676: 2008
EN 60335-1: 2008
EN 60335-2-30: 2006
EN 60335-2-102: 2007
EN 55014-1: 2008 + A1: 2009
EN 55014-2: 1998 + A1: 2001 + A2: 2008

Diese Produkte verfügen über die CE-Kennzeichnung in Übereinstimmung mit den folgenden Richtlinien:
2009/142/EEC Gas Appliance Directive
2006/95/EEC Low Voltage Directive
2004/108/EEC EMC Directive
2006/42/EC Machinery directive

Resana, 28th Juni 2011
M. PANIZZON

Lined page for content entry.

Ecoflam

Ecoflam Bruciatori S.p.A.

Via Roma, 64 - 31023 Resana (TV) - Italy

Tel. +39 0423 719500

Fax +39 0423 719580

<http://www.ecoflam-burners.com>

e-mail: export@ecoflam-burners.com

Società soggetta alla direzione e al coordinamento di Ariston Thermo S.p.A.

Via A. Merloni, 45 - 60044 Fabriano (AN) - CF 01026940427

Ecoflam Bruciatori S.p.A. reserves the right to make any adjustments, without prior notice, which is considered necessary or useful to its products, without affecting their main features

Ecoflam Bruciatori S.p.A. si riserva il diritto di apportare ai prodotti le modifiche che riterrà necessarie o utili, senza pregiudicarne le caratteristiche principali.

La maison Ecoflam Bruciatori S.p.A. se réserve le droit d'apporter les modifications qu'elle jugera nécessaires ou utiles à ses produits sans pour autant nuire à leurs caractéristiques principales

Ecoflam Bruciatori S.p.A. se reserva el derecho a introducir en sus productos todas las modificaciones que considere necesarias o utiles, sin perjudicar sus características

"Ecoflam Bruciatori S.p.A." оставляет за собой право вносить в конструкцию оборудования любые необходимые изменения без особого предупреждения.

Ecoflam Bruciatori S.p.A. behält sich das Recht vor, ohne Beeinträchtigung der wesentlichen Eigenschaften für notwendig oder sinnvoll ersichtete Änderungen an den Produkten vorzunehmen.