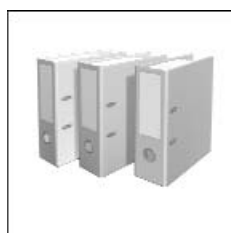
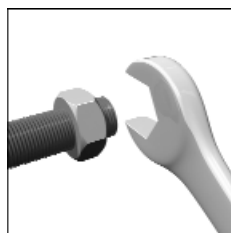


BLU 700.1	LN	PR
BLU 1000.1	PR	
BLU 1000.1	LN	PR
BLU 1200.1	PR	
BLU 1200.1	LN	PR



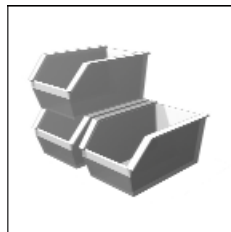
Technical data
Dati tecnici
Données techniques
Datos técnicos
Технические характеристики
Technische Daten



Operating instructions
Istruzioni per l'uso
Notice d'emploi
Manual de uso
Руководство по эксплуатации
Betriebsanleitung



Electric diagrams
Schemi elettrico
Schémas électrique
Esquemas eléctrico
Электрические схемы
Elektrische Diagramme



Spare parts list
Parti ricambi
Pièces de rechange
Piezas de recambio
Запчасти
Ersatzteilliste



420010605200

BLU 700.1 LN PR TC	3143984
BLU 700.1 LN PR TL	3143985
BLU 1000.1 PR TC	3144045
BLU 1000.1 PR TL	3144046
BLU 1000.1 LN PR TC	3143990
BLU 1000.1 LN PR TL	3143991
BLU 1200.1 PR TC	3144047
BLU 1200.1 PR TL	3144048
BLU 1200.1 LN PR TC	3143996
BLU 1200.1 LN PR TL	3143997

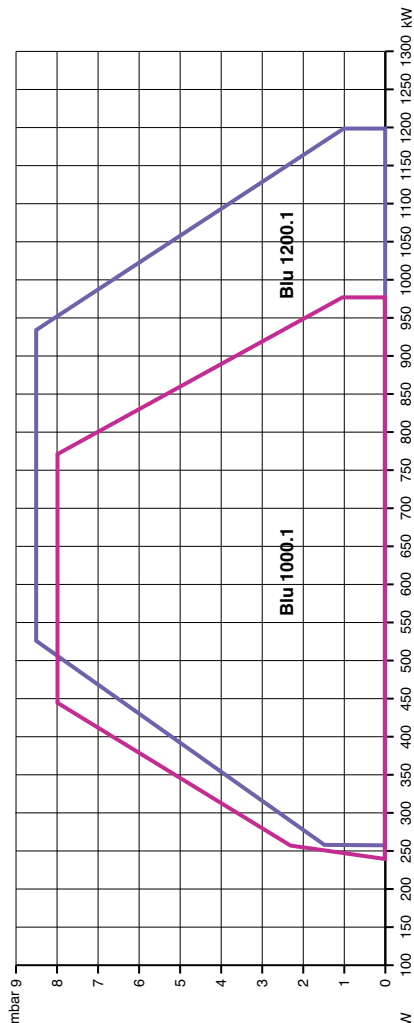
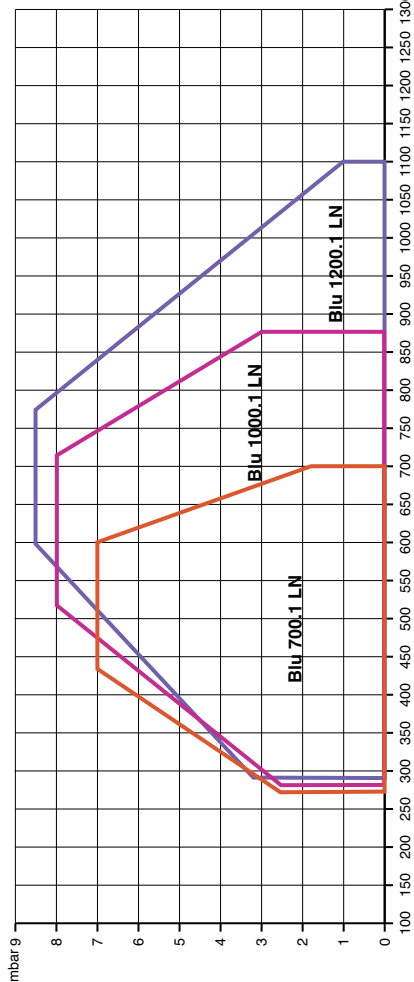
Overview - Index of contents / Panoramica - Indice dei contenuti / Vue d'ensemble - Table des matières
Descripción - Sumario / Обзор - Содержание / Überblick - Inhaltsverzeichnis

Technical data Dati tecnici Données techniques Datos técnicos Технические характеристики Technische Daten	EN IT FR ES RU DE	3
Working diagrams Campi di lavoro Domaine de fonctionnement Ámbito de funcionamiento Рабочий диапазон Arbeitsfeld	EN IT FR ES RU DE	4
Dimensions Dimensioni Dimensions Dimensiones Размеры Größe	EN IT FR ES RU DE	5
Operating instructions for authorised specialists	EN	6 - 15
Istruzione per l'uso per il personale qualificato	IT	16 - 25
Notice d'emploi pour l'installateur spécialiste	FR	26 - 35
Instrucciones de montaje para el instalador especialista	ES	36 - 45
Инструкция по эксплуатации Предназначено для квалифицированных специалистов по установке	RU	46 - 55
Betriebsanleitung Für die autorisierte Fachkraft	DE	56 - 65
Gas pressure loss diagrams Diagramma perdita di pressione Diagrammes perte de pression de gaz Diagramas de pérdida de presión Диарамма перепада давления газов Druckverlust-Diagramm	EN IT FR ES RU DE	66 - 75
Electric diagrams Schemi elettrico Schémas électrique Esquemas eléctrico Электрические схемы Elektrische Diagramme	EN IT FR ES RU DE	76 - 77
Spare parts list Parti di ricambio Pièces de rechange Piezas de recambio Запчасти Ersatzteilliste	EN IT FR ES RU DE	78 - 81
Conformity declaration Dichiarazione di conformità Déclaration de conformité Declaración de conformidad Сертификат соответствия Konformitätserklärung	EN IT FR ES RU DE	82

Technical data - Dati tecnici - Données techniques - Datos técnicos - Технические характеристики		характеристики - Technische Daten									
Burner output max/min kW	Potenza bruciatore max/min kW	Puissance du brûleur max/min kW	Potencia del quemador máx/mín kW	Мощность горелки макс./мин., кВт	Brennerleistung max/min kW	BLU 700.1 LN PR	BLU 1000.1 PR	BLU 1000.1 LN PR	BLU 1200.1 PR	BLU 1200.1 LN PR	BLU 1500.1 LN PR
Operation mode	Funcionamiento	Fonctionnement	Funcionamiento	Модификация	Betrieb	700	970	245	875	280	1100
Regulating ratio	Rapporto di regolazione	Rapport de régulation	Relación de regulación	Коэффициент регулирования	Regelverhältnis	1:4					
Fuel	Combustibile	Fuel	Combustible	Топливо	Kraftstoff	Natural Gas (L.C.V. 8.570 kcal/Nm ³) LPG (L.C.V. 22.260 kcal/Nm ³)					
Emission class	Classe di emissione	Classe d'émission	Tipo de emisión	Класс выделения загрязняющих веществ	Emissionsklasse	3	2	3	2	3	3
Control box	Apparechiatura di controllo	Coffret de sécurité	Cajetín de seguridad	Блок управления и безопасности	Feuerungsautomat	SIEMENS LME 22					
Gas train	Rampa gas	Rampe gaz	Rampa de gas	Газовая рампа	Gasarmatur	SEE GAS TRAIN MANUAL					
Flame monitor	Rilevatore di fiamma	Surveillance de flamme	Vigilancia de llama	Контроль пламени	Flammenwächter	ionization					
Electric motor	Motore elettrico	Moteur	Motor	Электродвигатель	Elektromotor	1,1 kW					
Voltage	Tensione	Tension	Tensión	Напряжение	Spannung	230-400 V / 50 Hz					
Power consumption (operation)	Potenza elettrica assorbita (Esercizio)	Puissance électrique absorbée (en service)	Potencia eléctrica absorbida (en funcionamiento)	Потребляемая электрическая мощность (при работе)	Elektrische Leistungsaufnahme (Betrieb)	1,6 kW					
Protection level	Classe di protezione	Indice de protection	Índice de protección	Класс электробезопасности	Schutzart	IP40					
Sound pressure level dB(A)	Livello pressione sonora dB(A)	Niveau pression acoustique dB(A)	Nivel de presión acústica dB(A)	Уровень шума, dB(A)	Schalldruckpegel dB(A)	80 (without silencer), 74 (with silencer)					
Ambient temp. for storage	Temperatura ambiente di stoccaggio	Température ambiante de stockage	Temperatura ambiente de almacenamiento	температура хранения	Umgebungstemperatur	-20° ... +70° C					
Temperature for use	Temperatura d'utilizzazione	Température d'utilisation	Temperatura ambiente de utilización	Рабочая температура	Betriebstemperatur	-10° ... +60° C					

Gas category		
Gas burners type	I2H	I2E
BLU 700.1 LN		I1E3P
BLU 1000.1 LN		AT CH CZ ES FR GB GR HU IE IT LT PT RO SI SK
BLU 1200.1 LN	DK EE FI LV NO SE	DE LU
BLU 1500.1 LN		
BLU 700.1	AT CH CZ DK EE ES FI FR GB GR HU IE IT LT LV NO PT RO SE SI SK	BE DE FR LU PL
BLU 1000.1		

Overview - Working diagrams / Панорамica - Campi di lavoro / Vue d'ensemble - Domaine de fonctionnement / Descripción - Ámbito de funcionamiento / Обзор - Рабочий диапазон / Überblick - Arbeitsfeld



Working diagram

The working diagram shows burner output as a function of combustion chamber pressure. It corresponds to the maximum values specified by EN 676 measured at the test fire tube. **The efficiency rating of the boiler should be taken into account when selecting a burner.**

Calculation of burner output:

$$QF = \frac{Q_N}{\eta_K}$$

QF = Burner output (kW)
QN = Rated boiler output (kW)

η_K = Boiler efficiency (%)

Calcolo della potenza del bruciatore:

$$QF = \frac{Q_N}{\eta_K}$$

QF= potenza bruciata (kW)
QN= potenza nominale della caldaia (kW)

η_K = rendimento energetico della caldaia (%)

Domaine de fonctionnement

Le domaine de fonctionnement correspond aux valeurs mesurées lors de l'homologation. Elle correspond aux valeurs max mesurées sur tunnel d'essai d'après l'EN 676. **Pour le choix du brûleur, tenir compte du rendement de la chaudière.**

Calcul de la puissance calorifique:

$$QF = \frac{Q_N}{\eta_K}$$

QF= Puissance calorifique (kW)
QN= Puissance nominale chaudière (kW)

η_K = Rendement chaudière (%)

Ámbito de funcionamiento

El ámbito de funcionamiento corresponde a los valores registrados en el momento de la homologación. Corresponde a los valores máx medidos en el túnel de ensayo según la EN 676. **Para la elección del quemador, se ha de tener en cuenta el rendimiento de la caldera.**

Cálculo de la potencia calorífica:

$$QF = \frac{Q_N}{\eta_K}$$

QF = Potencia calorífica (kW)
QN = Potencia nominal de la caldera (kW)

η_K = Rendimiento de la caldera (%)

Рабочий диапазон

Рабочий диапазон показывает производительность горелки в зависимости от давления в топочной камере. Он соответствует максимальным значениям согласно EN 676, измеренным в контрольной топочной камере.

При выборе горелки необходимо учитывать КПД котла.
Расчет тепловой мощности:

$$QF = \frac{Q_N}{\eta_K}$$

QF = Тепловая мощность, кВт
QN = Номинальная мощность котла, кВт

η_K = КПД котла, %

Arbeitsfelder

Das Arbeitsfeld zeigt die Bren- nerleistung in Abhängigkeit vom Feuerdruck. Es entspricht den Maximalwerten nach EN 676 gemessen am Prüfflammenrohr.

Berechnung der Brennerleistung:

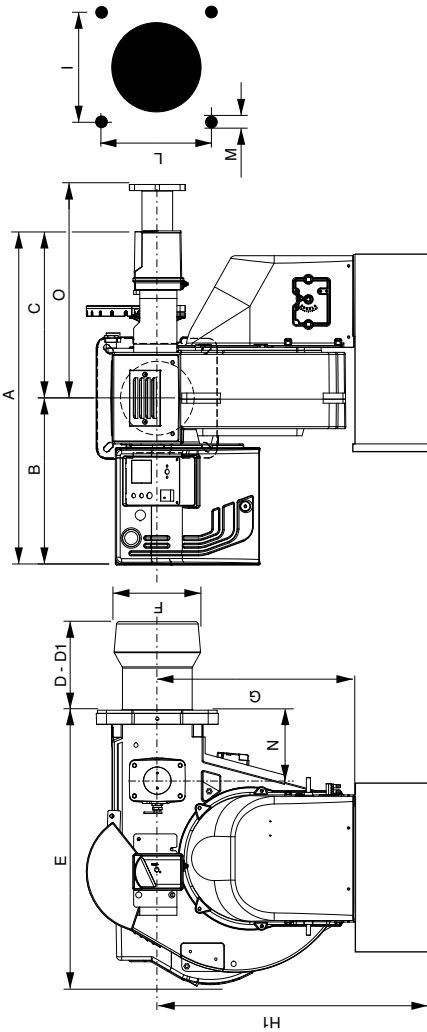
$$QF = \frac{Q_N}{\eta_K}$$

QF = Brennerleistung (kW)
QN = Kesselhennleistung (kW)

η_K = Kesselwirkungsgrad (%)

Bei der Brennerauswahl ist der Kesselwirkungsgrad zu berücksichtigen.

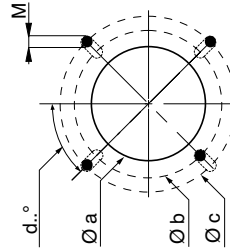
Overview - Dimensions / Panoramica - Dimensioni / Vue d'ensemble - Dimensions / Descripción - Dimensiones /
Обзор - Размеры / Überblick - Größe



Model	A	B	C	D	D1	E	F	G	H1	L	M	N	O
BLU 700.1 PR	657	328	329	174	394	543	170	401	601	185/200	M10	138	420
BLU 1000.1 PR	657	328	329	174	394	543	190	401	601	185/200	M10	138	420
BLU 1200.1 PR	657	328	329	309	459	543	200	401	601	185/200	M10	138	420

D = short head
D1 = long head
H1 = when silencer is fitted

Burner Flange

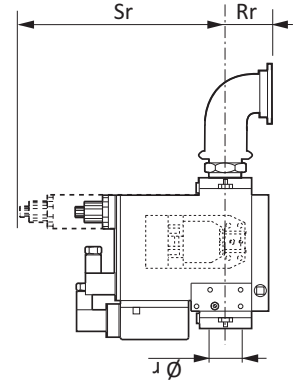
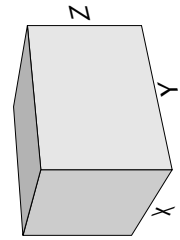


Model	Ø a	Ø b	Ø c	d°..
BLU 700.1 PR	180	262	283	45°
BLU 1000.1 PR	200	262	283	45°
BLU 1200.1 PR	210	262	283	45°

Dimensions (mm)

Packaging

Model	X	Y	Z	kg
BLU 700.1 PR	796	1055	575	50
BLU 1000.1 PR	796	1055	575	50
BLU 1200.1 PR	796	1055	575	60



GAS TRAIN DIMENSIONS:
refer to GT manual

Contents - Index - General warnings

Overview	Technical data	3
	Working diagrams	4
	Dimensions	5
Contents	Index	6
	General warnings	6
	Burner description	7
Function	General safety functions	8
	Control and safety unit SIEMENS	9
Installation	Burner assembly	10
	Electrical connection	11
	Checks before commissioning	11
Start up	Adjusting burner output	12
	Air pressure switch adjustment - setting gas pressostat	13
Service	Maintenance	14
	Troubleshooting	15
Overview	Gas pressure loss diagrams	66-75
	Electrical diagrams	76-77
	Spare parts list	78-83
Contents	Conformity declaration	84

Important notes

BLU burners are designed for the low-pollutant combustion of natural gas and Liquefied Petroleum Gas. The burners comply with standard EN676. Assembly and commissioning must be carried out only by authorised specialists and all applicable guidelines and directives must be observed.

Burner description

BLU PR are progressive, fully automatic, monoblock type burners. Burner head is designed to get the lowest emissions in terms of NOx and unburnt particles in order to maximize the heat generator efficiency. Emissions can be different respect to the ones recorded in the lab because they depends a lot on the generator on which the burner is fit.

The installer must comply with compulsory rules. Avoid for instance dangerous atmosphere or not ventilated rooms.

We can accept no warranty liability whatsoever for loss, damage or injury caused by any of the following:

- Inappropriate use.
- Incorrect assembly or repair by the customer or any third party, including the fitting of non-original parts.

Provision of the system and the operating instructions

The firing system manufacturer must supply the operator of the system with operating and maintenance instructions on or before final delivery. These instructions should be displayed in a prominent location at the point of installation of the heat generator, and should include the address and telephone number of the nearest customer service centre.

Notes for the operator

The system should be inspected by a specialist at least once a year. It is

advisable to take out a maintenance contract to guarantee regular servicing.

Ecoflam burners have been designed and built in compliance with all current regulations and directives.

All burners comply to the safety and energy saving operation regulations within the standard of their respective performance range. The quality is guaranteed by a quality and management system certified in accordance with ISO 9001:2008.



Contents - Burner description

BLU 1200.1 LN PR TC

RANGE NAME BY FUEL TYPE

BLU

MODEL SIZE

BLU 1200.1

EMISSIONS

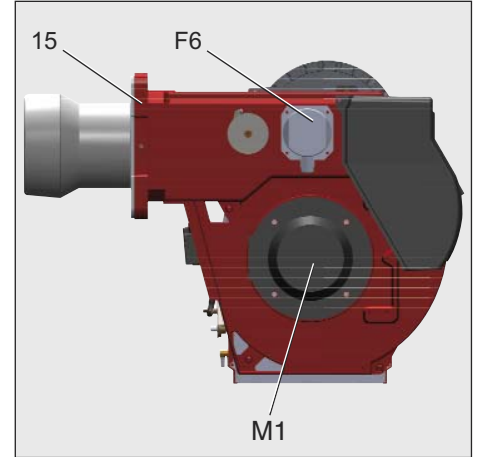
- Standard Class 2 - GAS EN676 (≤ 120 mg/kWh)
 LN Low NOx Class 3 - GAS EN676 (≤ 80 mg/kWh)

OPERATION TYPE

PAB 2 stages soft start
 PR 2 stages progressive mechanical
 PRE 2 stages modulating electronic

HEAD TYPE

TC Short head
 TL Long head



- A1 Siemens Gas control and safety unit
- F6 Air pressure switch
- M1 Electric motor
- T1 Ignition transformer
- 5 Housing
- 8 Blast tube
- 15 Burner flange
- 16 Reset key
- 103B Air regulation
- 113 Air intake

Scope of delivery

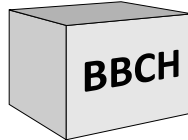
The burner is delivered in a modular system of packagings i.e. separate set/box:

BBCH: Burner Body with Combustion Head with flange.

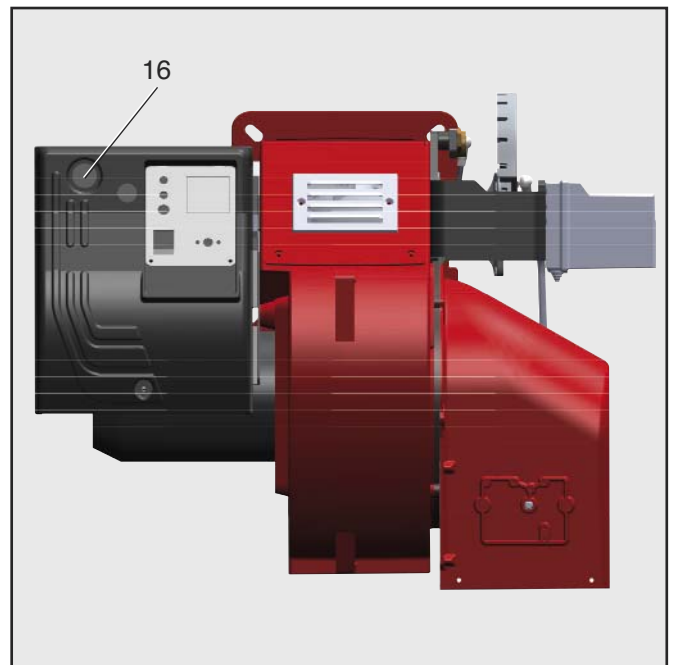
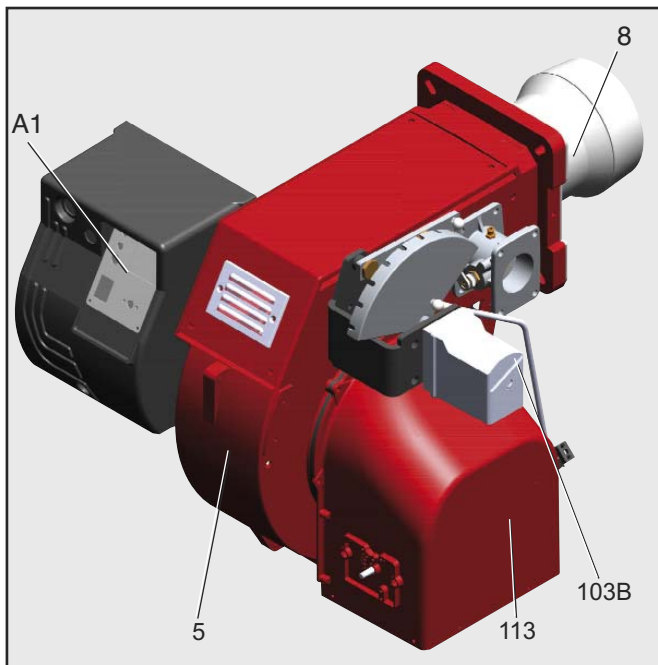
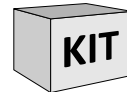
- 1 bag including :- multilanguage technical manual.
- spanner.
- screws, nuts and washer.

GT: separate Gas Train

KIT & ACS are managed and delivered separately



KIT & ACS delivered separately



Function - General safety functions

Description of functions

When the system is switched on for the first time, after a power failure or safety shutdown, after a lack of gas or after the system has been out of operation for 24 hours, the pre-ventilation period of 30 seconds begins.

During pre-purge period:

- blower pressure is monitored
- the combustion chamber is monitored for flame signals.

At the end of the pre-purge period:

- ignition is switched on.
- main and safety valve are opened.
- burner starts.

Monitoring

The flame is monitored by an ionization probe. The probe is insulated and fitted to the gas head and is routed

through the flame disc into the flame zone. The probe must not have any electrical contact with earthed parts. The burner switches to lock-out if a short circuit occurs between the probe and the burner earth.

During burner operation, an ionised zone is produced in the gas flame through which a rectified current flows from the probe to the burner head.

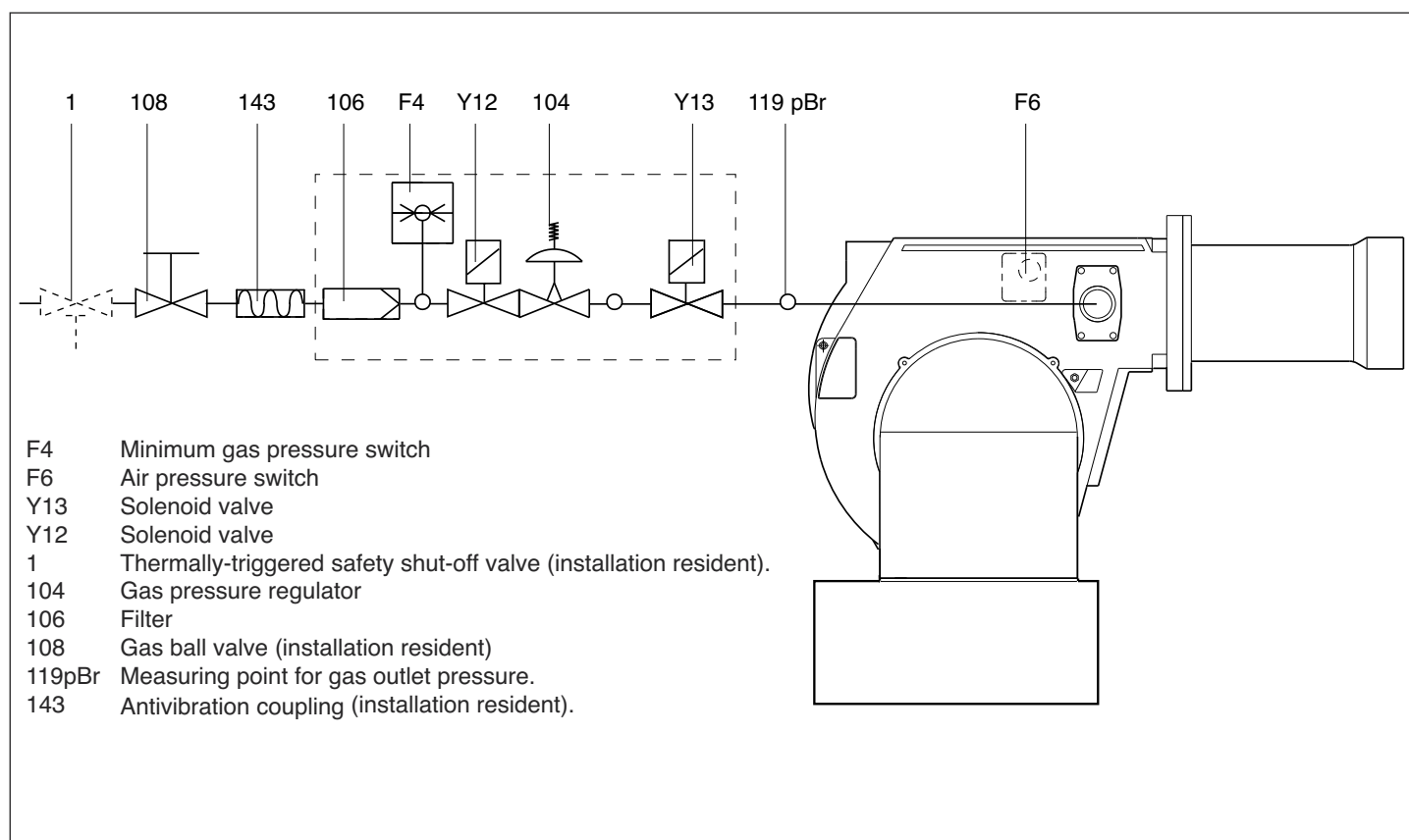
Safety functions

- If no flame is produced when the burner is started (gas release), the burner will be switched off at the end of the safety period, and the gas valve will close.
- If the flame goes out during operation, the gas supply is interrupted and the control unit goes to block.
- If there is a lack of air during reventilation or operation, the control unit goes to block.
- If there is a lack of gas, the burner does

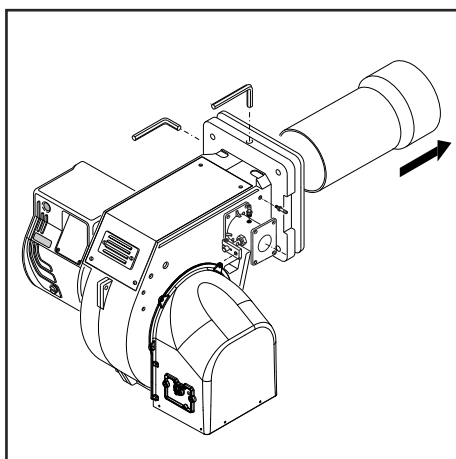
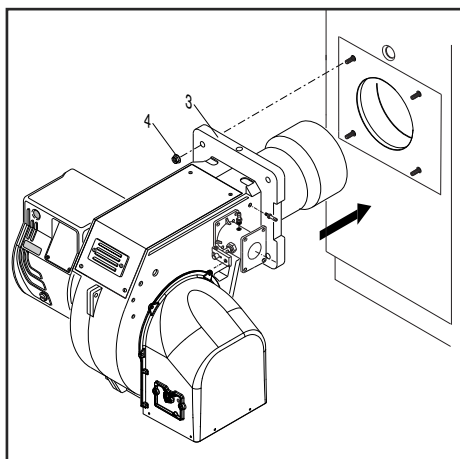
not begin operation or switches off.

In the event of controller shutdown

- Controller thermostat interrupts heat request.
- Gas solenoid valves close.
- Flame goes out.
- Burner motor switches off.
- Burner is ready for operation.



Installation - Burner assembly



Burner assembly

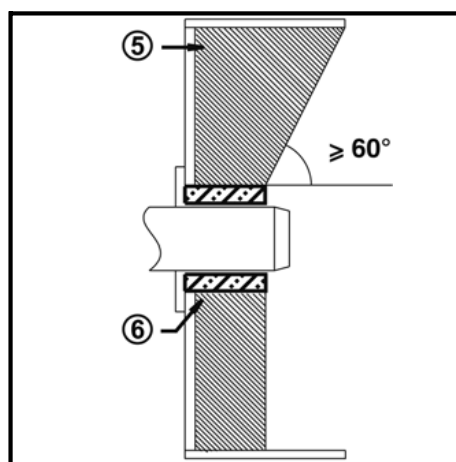
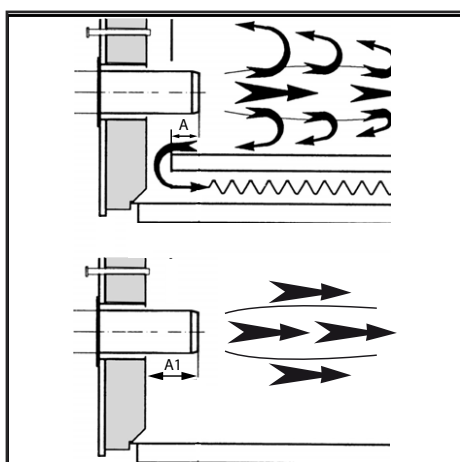
The burner is fixed to the boiler.

Installation:

- fix the flange 3 to the boiler with the screws 4

Removal:

- loosen the screws and remove the burner.



Burner blast tube insertion depth and brickwork

Unless otherwise specified by the boiler manufacturer, heat generators without a cooled front wall require brickwork or insulation 5 as shown in the illustration. The brickwork must not protrude beyond the leading edge of the blast tube, and should have a minimum conical angle of 60°. Gap 6 must be filled with an elastic, non-combustible insulation material. For boilers with reverse firing, the minimum burner tube insertion depth A as specified in the boiler manufacturer's instructions must be observed.

On boilers the blast tube insertion depth should be observed as per the boiler manufacturer's instructions.

Reverse flame boiler :

A = 50-100 mm.

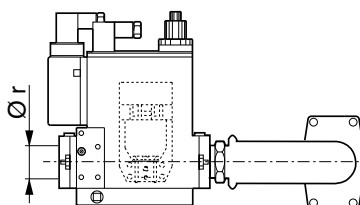
Three pass boilers :

A1 = 50-100 mm.

Gas lines

When installing the gas lines and gas train, the general EN676 directives and guidelines must be observed.

Additional accessories and kits shall be installed by the installer in accordance to the local safety regulations and codes of practise.



General regulations applying to the gas connection

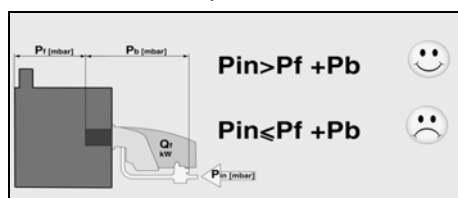
- The gas train must only be connected to the gas mains by a recognised specialist.
- The cross-section of the gas line should be of a size designed to guarantee that the gas flow pressure does not drop below the specified level.
- A manual shut-off valve (not supplied) must be fitted upstream of the gas train.

LEGENDA

Pf: Back pressure of furnace

Pb: Pressure of burner (combustion head + complete gas train)

Pin: Minimum inlet pressure

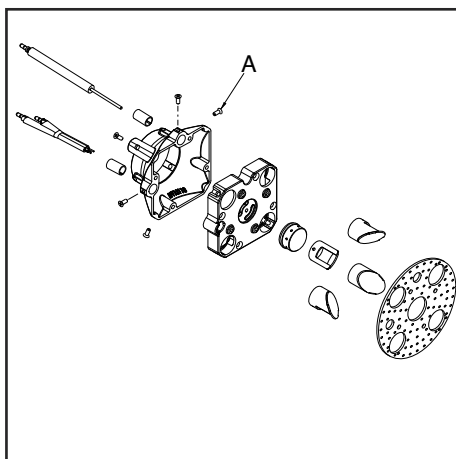


Exhaust system

To avoid unfavourable noise emissions, right-angled connectors should not be used on the flue gas side of the boiler.

LPG TRANSFORMATION

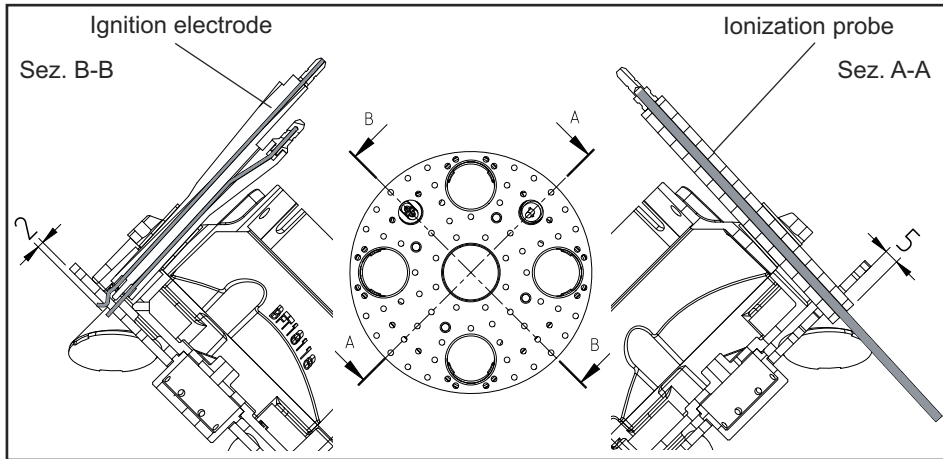
KITLPG	
KITLPG-BLU700.1	3124488
KITLPG-BLU1000.1-1500.1	3124489



In order to change the burner operation from natural gas to LPG you have to follow these instructions :

- Remove the blast tube.
- Replace 4 Diffusers with LPG version, remove A screws.
- Remove the disc.
- Replace Tooth with LPG version.
- Install the disc correctly.
- Replace the blast tube with LPG version (not for LN version).

Installation - Electrical connection - Checks before commissioning



Position of electrodes

Setting the ionisation probe and ignition electrode: see diagram
Always check the position of the electrodes after service or substitution or assembly of LPG kit as wrong position might cause ignition problem.

Checks before commissioning

The following must be checked before initial commissioning:

- That the burner is assembled in accordance with the instructions given here.
- That the burner is pre-set in accordance with the values in the adjustment table.
- Setting the combustion components.
- The heat generator must be ready for operation, and the operating regulations for the heat generator must be observed.
- All electrical connections must be correct.
- The heat generator and heating system must be filled with water and the circulating pumps must be in operation.
- The thermostats, pressure regulator, low water detectors and any other safety or limiting devices that might be fitted must be connected and operational.
- The exhaust gas duct must be unobstructed and the secondary air system, if available, must be operational.
- An adequate supply of fresh air must be guaranteed.
- The heat request must be available.
- Sufficient gas pressure must be available.
- The fuel supply lines must be assembled correctly, checked for leaks and bled.
- A standard-compliant measuring point must be available, the exhaust gas duct up to the measuring point must be free of leaks to prevent anomalies in the measurement results.

Electrical connection

The electrical installation and connection work must only be carried out by an authorised electrical specialist. All applicable rules and regulations must be observed.

The electrical installation should include a type A circuit breaker.

The applicable guidelines and directives must be observed, as well as the electrical circuit diagram supplied with the burner!

- Make sure that the appliance is connected to an efficient earthing system.
- Make sure that the earth wire is a couple of cm longer than the other wires in the power supply cable.
- Check to ensure that the power supply voltage is as specified in the electric diagram and in data plate.
- Burner fuse: 5 A.

Electrical connection (plug-in)

It must be possible to disconnect the burner from the mains using an omnipolar shutdown device complying with the standards in force. The burner and heat generator (boiler) are connected to the terminal block of the cabinet (fig.1).

Connecting the gas train

Connect the gas train to the plugs on the burner.

The burners are produced with connections suitable for power supply 400 V three-phase.

The burners with electric motors of an output lower or equal to 3 kW can be adapted to 220-230 V (please follow the instructions on the backside); motors with higher output can only work 380-400 V three-phase.

In case of request of burners different from the above mentioned standard, it is recommended to make specific mention in the order.

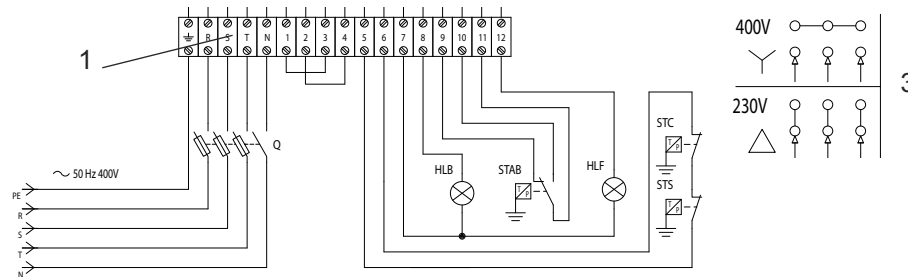
Instructions: how to adapt electric motors of an output lower or equal to 3 kW to 220-230 V power supply

It is possible to change the voltage of the burner by operating as follows:

1. change the connection inside the electric box of the motor, from star to delta (see picture 3);
2. change the setting of the thermal relay, referring to the absorption values indicated in the motor nameplate. If necessary, replace the thermal relay with another one of suitable scale.

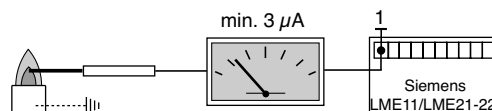
This operation is not possible on motors above 3 kW.

For more information, please contact the Ecoflam staff.

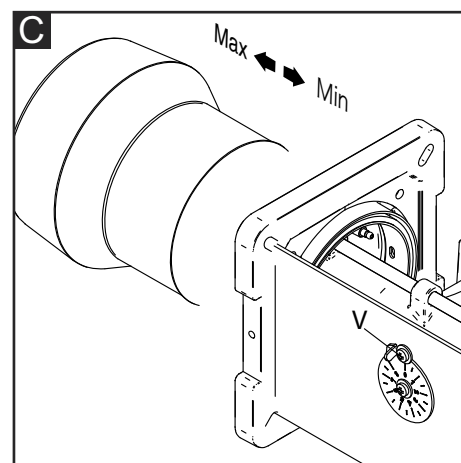
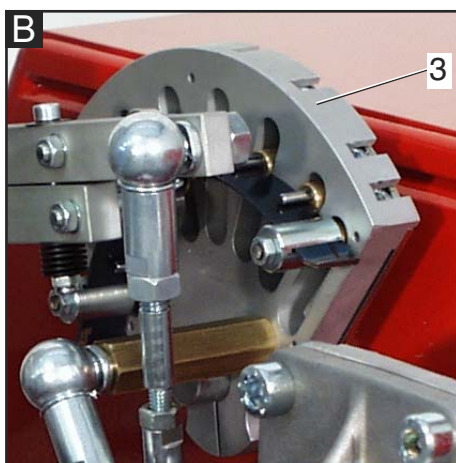
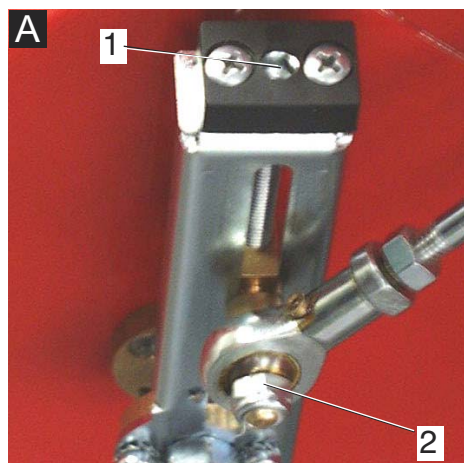


Ionization current measurement

With the burner switched off, connect a DC microammeter. When the burner is running, and is properly adjusted, the value read must be steady and never be smaller than 3 μ A.



Start up - Adjusting burner output



NB: burner regulation must always be carried out using the combustion analysis tool.

Gas throttle adjusting: operate on steel spring adjusting the screw 3.

Air damper adjustment: leva (A)

Gas pressure adjustment: see gas train documents.

The burner is supplied with the head and the air damper in an intermediate position.

- Light the burner and keep it in low flame using the switch on the control panel
- Check the combustion and adjust it changing the gas flow rate using the Allen key
- Through the switch, increase the power step by step stopping at each step in order to check and adjust the gas flow rate
- If the maximum firing rate is got before getting the full opened position of the air damper and the throttle, adjust the head by moving it towards the minimum flame position and reduce the gas pressure at the gas train outlet, at the same time increase the opening of the air damper and of the throttle
- If the maximum firing rate is not got when the servomotor is at full opened position, increase the air damper opening and if not enough, moving the head towards the maximum flame position; further, increase the gas pressure on the gas train

Now the burner is set at its maximum firing rate. Air damper and throttle are at their full opened position. Still checking the combustion parameters, decrease the burner output acting on the switch and stop in the intermediate positions for checking the combustion. The minimum firing rate can be set by means of the relevant cam on the servomotor.

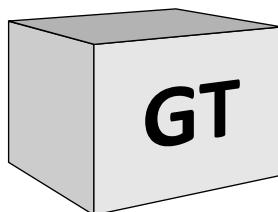
Firing head setting (C).

Execution :

- Loosen the locking screw of adjusting device V.
- Move the adjusting device until the desired position is reached.
- Tighten the locking screw.

Adjustment of gas solenoid valve

Refer to the gas train manual for the gas setting of the gas train selected.



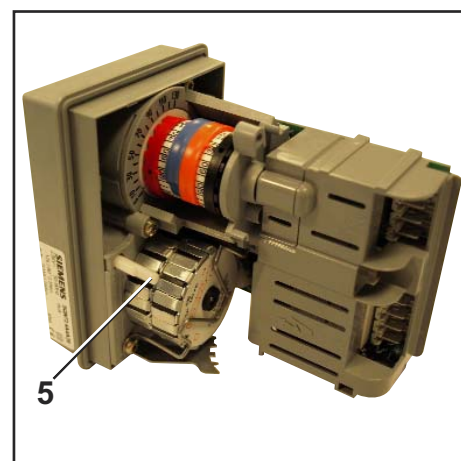
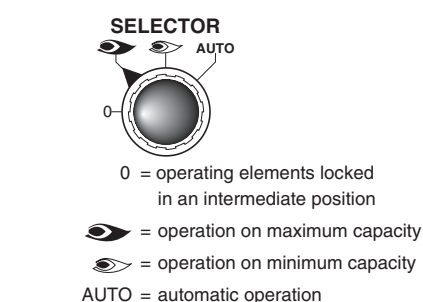
N.B. observe the minimum required flue gas temperature specified by the boiler manufacturer and the requirements demanded of flue gas ducts for avoiding condensation.

Servomotor SQN 72 4A4A20

Remove cover to gain access to the adjusting cams. The cams are to be adjusted through the suitable key provided for. Description:

- I - Limit switch (Red) for air damper "High Flame" position adjustment (Max. power).
- II - Limit switch (Blu) for the air damper position at burner's shut down.
- III- Limit switch (Orange) for air damper "Low Flame" position adjustment (Min. power).
- IV- Limit switch (Black) not used.

(5): MANUAL RELEASE SWITCH



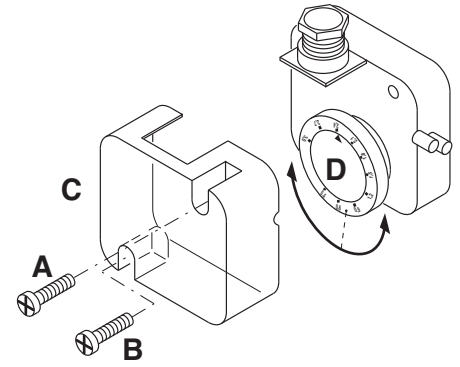
Risk of air blast!
Continuously check CO, CO₂ and soot emissions when adjusting the output of the burner. Optimise combustion values in the event of CO formation. CO must not exceed 50 ppm.

Start up - Air pressure switch adjustment - Setting gas pressostat

Air pressure switch calibration

The air pressure switch is provided for monitoring the pressure of the combustion air fan. Unscrew screws A and B and remove cover C.

- Adjust the combustion with air pressure switch (APS) set at minimum.
- Start to obstruct the air inlet with a paper paying attention to O₂ and CO values red on the analyzer.
- Progressively increase air inlet obstruction till the CO value is slightly more than 1000 ppm. Stop obstruction in this position.
- Increase APS setting up to burner lock out.
- Now the APS is set to avoid CO production during the combustion.
- Remove air obstruction and fit again APS cover C.

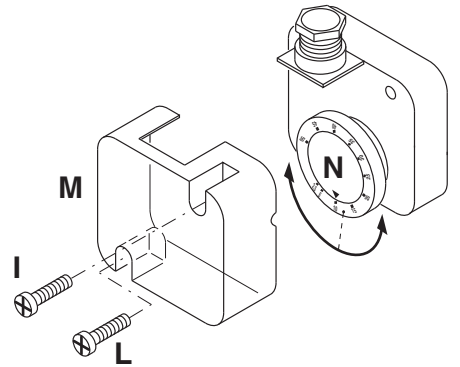


Min gas pressure switch

The gas pressure switch has the function to check that the gas pressure before the gas valve does have the minimum pressure to make the burner running correctly.

Unscrew off and remove cover M.

- Set knob N to a value equal to 60% of gas nominal feed pressure (i.e. for natural gas nom. pressure = 20 mbar, set knob to a value of 12 mbar; for LPG nom. pressure of G30/G31- 30/37 mbar, set knob to a value of 18 mbar). Screw up cover M.



Operating check

Flame monitoring must be checked for safety as part of initial commissioning and also after servicing or if the system has been out of operation for any significant period of time.

- Start attempt with gas ball valve closed: the automatic combustion control unit must switch to gas shortage or malfunction after the end of the safety period.

Service - Maintenance

Burner and boiler servicing must only be carried out by qualified personell. The system operator is advised to take out a service contract to guarantee regular servicing.

Attention

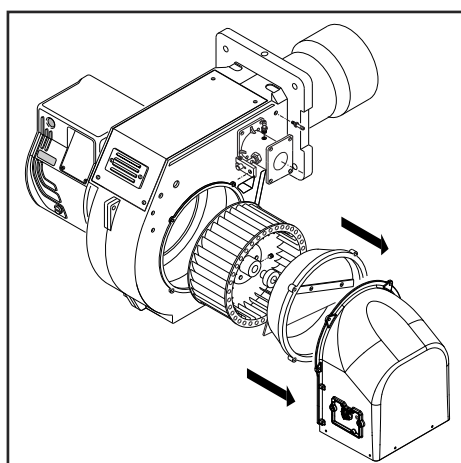
- Disconnect the electrical supply before carrying out any maintenance or cleaning work.
- The blast tube and firing head may be hot.

Checking the exhaust gas temperature

- Check the flue gas temperature at regular intervals.
- Clean the boiler if the flue gas

temperature is more than 30°C above the value measured at the time of commissioning.

- To simplify the check, use a flue gas temperature indicator.



Maintenance on the burner

- Check gas supply components (tubes, lines) and their connections for leaks or signs of wear, replace if necessary.
- Check electrical connections and connection cables for damage, replace if necessary.
- Check gas filter, clean or replace as necessary.
- Clean fan wheel and housing and check for damage.
- Check and clean the mixing unit.
- Check ignition electrodes block, readjust or replace as necessary.
- Start burner, check flue gas data, correct burner settings if necessary.

- Check the setting for air pressure switch and gas pressostat.
- Check the gas train settings.
- Carry out an operating check.

Service - Troubleshooting

Fault diagnosis and repair

In the event of a malfunction, first check that the prerequisites for correct operation are fulfilled:

1. Is the system connected to the power supply?
2. Is there any gas pressure?
3. Is the gas shut-off valve open?
4. Are all control and safety devices, such as the boiler thermostat, low

water level detector, limit switch, etc. adjusted correctly?

If the malfunction persists, use the following table.

It is not permitted to repair any components relevant to safety. These components must be replaced by parts with the same order number.

Only use original spare parts.

NB: after each operation:

- under normal operating conditions (doors closed, hood fitted, etc.), check combustion and check the individual lines for leaks.
- Record the results in the relevant documents.

Maintenance

Annual check

The burner (combustion head, electrodes, etc.) must be checked regularly by an authorized technician, once or twice a year, depending on how much it is used. Before proceeding with the maintenance check-up on the burner, it is advisable to check the general condition of the burner and take the following steps:

Disconnect the burner (remove the plug).

- Close the gas shut-off cock.
- Remove the cover from the burner, clean the fan and air intake.
- Clean the combustion head and check the position of the electrodes.
- Re-install the parts.
- Check the seal on the gas connectors.
- Check the state of the flue.
- Start the burner.
- Check the combustion parameters

Before taking any action check:

- That there is power in the circuit and the burner is connected;
- That the gas pressure is right and the gas shut-off cock is open;
- That the control systems are properly connected. If all these conditions have been satisfied, start the burner by pressing the reset button.
- Check the burner cycle.

If the burner fails to start:

check the switch, the thermostats, the motor and the gas pressure.

If the burner proceeds with preventilation but cuts out at the end of the cycle:

- Check the air pressure and the fan.
- Check the air pressure switch.

If the burner proceeds with preventilation but does not light:

- Check the installation and position of the electrodes.
- Check the ignition cable.
- Check the ignition transformer.
- Check the safety device.

If the burner lights but cuts out after the safety interval:

- Check that the phase and neutral wires are connected correctly.
- Check the gas solenoid valve.
- Check the position and connection of the detector electrode.
- Check the detector electrode. Check the safety device.

If the burner lights but cuts out after operating for a few minutes:

- Check the pressure regulator and gas filter.
- Check the gas pressure with a pressure gauge.
- Check the detector value (at least 3 µA).

Error code table

Red blink code of signal lamp (LED)	«AL» at term. 10	Possible cause
2 blinks	on	No establishment of flame at the end of «TSA» - Faulty or soiled fuel valves - Faulty or soiled flame detector - Poor adjustment of burner, no fuel - Faulty ignition equipment
3 blinks	on	«LP» faulty - Loss of air pressure signal after «t10», - «LP» welded in normal position
4 blinks	on	Extraneous light when burner is started up
5 blinks	on	Time out «LP» - «LP» welded in working position
6 blinks	on	Free
7 blinks	on	Too many losses of flame during operation (limitation of the number of repetitions)- Faulty or soiled fuel valves. - Faulty or soiled flame detector - Poor adjustment of burner.
8 blinks	on	Free
9 blinks	on	Free
10 blinks	off	Wiring error or internal error, output contacts, other faults.
14 blinks	on	CPI contact not closed

Contenuti generali - Indice - Avvertenze generali

Panoramica	Dati tecnici	3
	Campi di lavoro	4
	Dimensioni d'ingombro	5
Contenuti generali	Indice	16
	Avvertenze generali	16
	Descrizione del bruciatore	17
Funzione	Funzioni generali di sicurezza	18
	Apparecchio di comando e controllo SIEMENS	19
Installazione	Montaggio del bruciatore	20
	Connessione elettrica	21
	Controlli da eseguire prima della messa in funzione	21
Messa in funzione	Regolazione del bruciatore	22
	Regolazione dei pressostati aria e gas	23
Assistenza	Manutenzione	24
	Possibili inconvenienti	25
Panoramica	Diagramma perdita di pressione	66-75
	Schemi elettrici	76-77
	Parti di ricambio	78-83
Contenuti generali	Dichiarazione di conformità	84

Avvertenze importanti

I bruciatori BLU sono progettati per la combustione di gas naturale e di gas propano, con basse emissioni inquinanti. I bruciatori sono conformi alla norma EN 676. Montaggio, messa in funzione e manutenzione devono essere eseguiti esclusivamente da personale tecnico autorizzato, nel rispetto delle direttive e delle prescrizioni in vigore.

Descrizione del bruciatore

I bruciatori BLU PR sono progressivi, a funzionamento completamente automatico in esecuzione monoblocco. La geometria della testa di combustione permette di ottenere bassi livelli di NOx e di incombusti, massimizzando quindi il rendimento del generatore. Le emissioni possono essere diverse da quelle riscontrate nel laboratorio di prova in quanto dipendono molto dal generatore sul quale il bruciatore è installato.

L'installatore deve rispettare le normative vigenti. Per esempio sono da evitare locali con atmosfere pericolose o non ventilate.

Si esclude qualsivoglia responsabilità per eventuali danni derivanti dalle seguenti cause:

- utilizzo non conforme.
- montaggio difettoso e/o riparazione a cura dell'acquirente o terzi, ivi inclusa l'applicazione di elementi di origine estranea.

Consegna e istruzioni per l'uso

Il costruttore dell'impianto di combustione è tenuto a consegnare al gestore dell'impianto, al più tardi all'atto della consegna dello stesso, le istruzioni per l'uso e la manutenzione. Queste istruzioni devono essere appese nel locale di installazione del generatore termico in modo ben visibile. Devono essere indicati

l'indirizzo ed il numero telefonico del punto di assistenza più vicino.

Avvertenza per il gestore

L'impianto dev'essere controllato almeno una volta l'anno da un tecnico specializzato. Al fine di garantire un'esecuzione regolare, si suggerisce di stipulare un contratto per la manutenzione dell'impianto.

I bruciatori Ecoflam sono stati progettati e costruiti nel rispetto delle normative e direttive correnti. Tutti i bruciatori rispondono alle normative sulla sicurezza e sul risparmio energetico nel limite del campo di lavoro dichiarato.

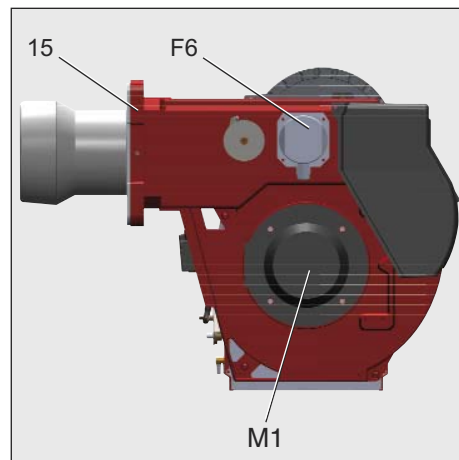
La qualità del prodotto è garantita dal sistema di certificazione in base alla norma ISO 9001:2008.



Contenuti generali - Descrizione del bruciatore

BLU 1200.1 LN PR TC

NOME	BLU
MODELLO	BLU 1200.1
EMISSIONI	- Standard Classe 2-GAS EN676 (≤ 120 mg/kWh) LN Low NOx Classe 3 GAS EN676 (≤ 80 mg/kWh)
TIPO DI FUNZIONAMENTO	PAB 2 stadi PR 2 stadi progressivo meccanico PRE 2 stadi progressivo elettronico
LUNGHEZZA TESTA	TC Testa corta TL Testa lunga



- A1 Apparecchio di comando e controllo
- F6 Pressostato aria
- M1 Motore ventilatore
- T1 Trasformatore d'accensione
- 5 Corpo bruciatore
- 8 Boccaglio
- 15 Flangia bruciatore
- 16 Pulsante Reset
- 103B Regolazione dell'aria
- 113 Cassetto aria

Imballaggio

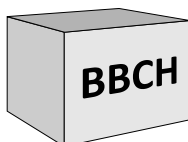
Il bruciatore è consegnato con un sistema modulare di imballo (scatole separate):

BBCH: Bruciatore completo con testa di combustione e flangia.

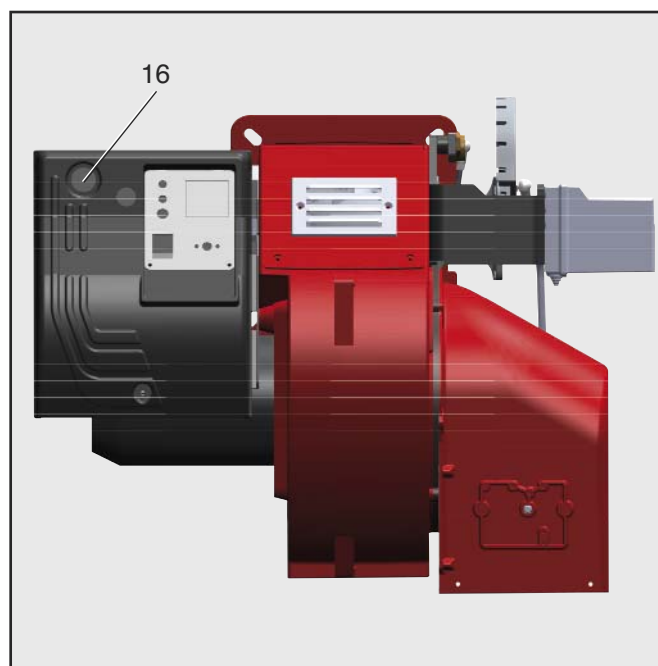
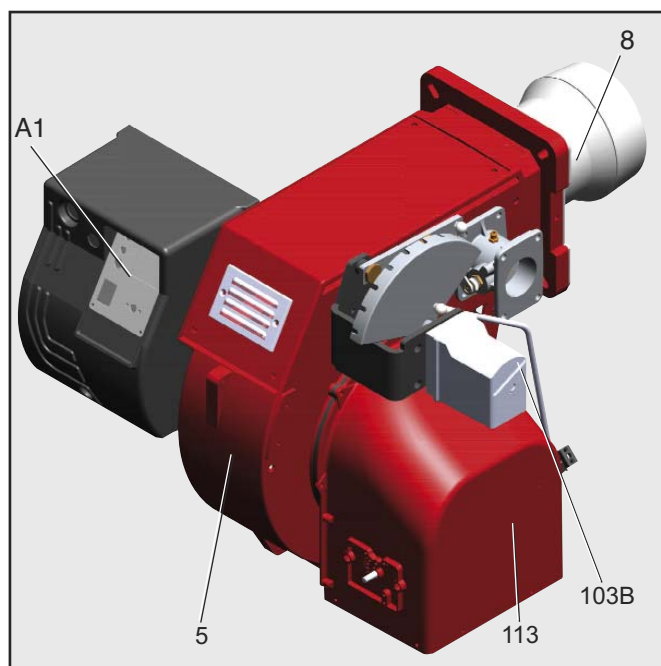
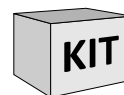
- 1 sacchetto : - manuale tecnico in multilingue.
- chiave esagonale.
- viti, dadi e rosette.

GT: Rampa Gas separata

KIT & ACS ordinabili e consegnati separatamente



KIT & ACS ordinabili e consegnati separatamente



Funzione - Funzioni generali di sicurezza

Descrizione del funzionamento

Alla prima messa sotto tensione, dopo un'interruzione di corrente e una fase di messa in sicurezza, dopo un'interruzione di gas o dopo un arresto di 24 ore, comincia un tempo di preventilazione di 30 sec.

Durante il tempo di preventilazione:

- la pressione dell'aria viene monitorata.
- controllo della presenza di eventuali segnali di fiamma anomali.

Al termine del tempo di preventilazione

- l'accensione è inserita.
- l'elettrovalvola principale e di sicurezza è aperta.
- il bruciatore si avvia.

Sorveglianza

La fiamma viene monitorata da una sonda di ionizzazione. La sonda è montata in modo isolato sulla testa del gas ed è diretta attraverso il disco fiamma nella zona della fiamma. La sonda non deve avere alcun contatto elettrico con componenti messi a terra. Se compare un

cortocircuito tra la sonda e la massa del bruciatore, il bruciatore entra in stato di anomalia. Durante il funzionamento, nella fiamma del gas si crea una zona ionizzata, attraverso la quale circola una corrente raddrizzata dalla sonda verso il boccaglio.

Funzioni di sicurezza

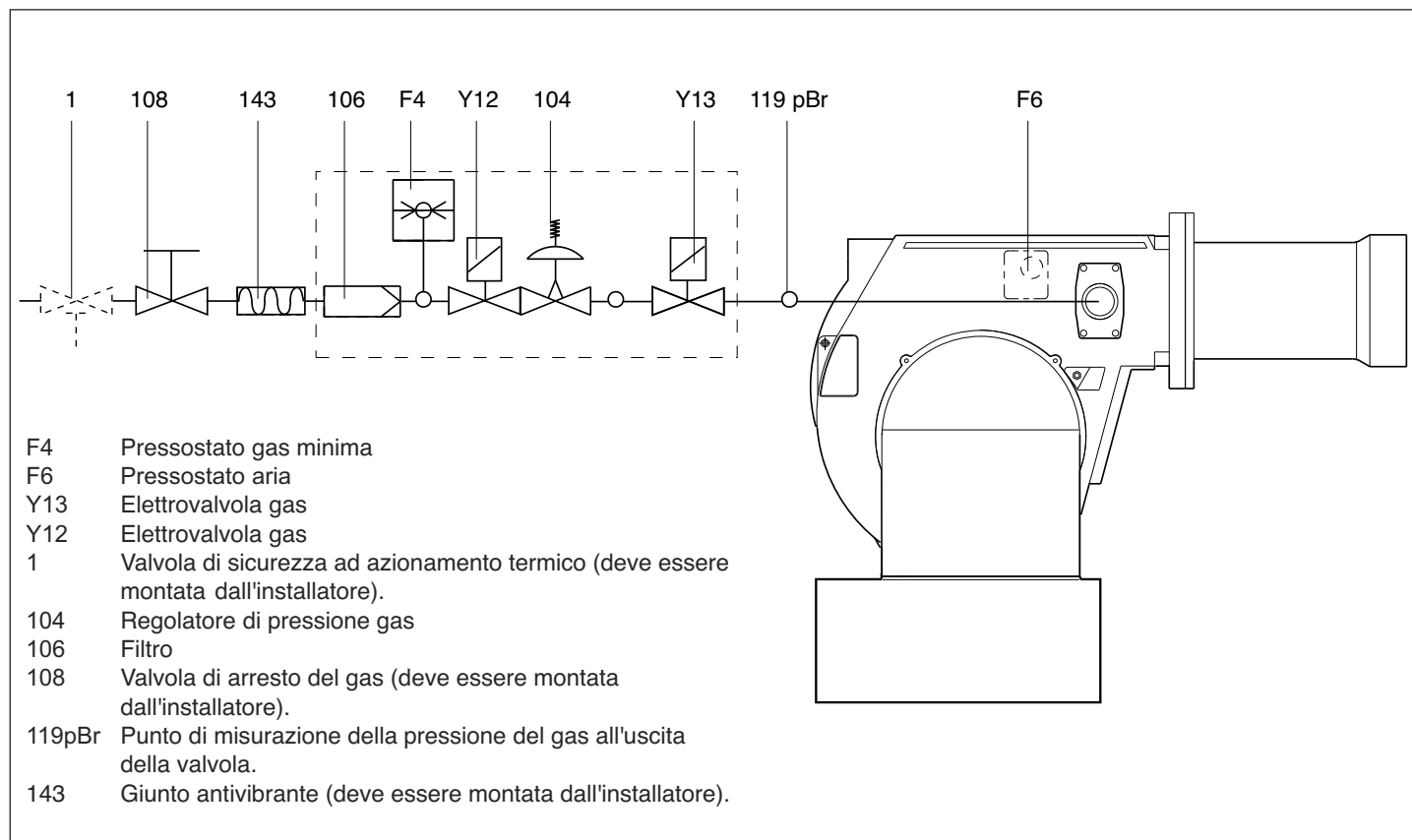
- Se all'avvio del bruciatore (rilascio del gas) non si forma la fiamma, il bruciatore viene arrestato al termine del tempo di sicurezza, la valvola del gas si chiude.
- In caso di assenza della fiamma durante il funzionamento, l'alimentazione del gas si interrompe e l'apparecchio di comando e controllo va in blocco.
- In caso di mancanza d'aria durante la preventilazione o il funzionamento, l'apparecchio di comando e controllo va in blocco.
- In caso di mancanza di gas, l'apparecchio di comando e controllo va in blocco.

Arresto di regolazione

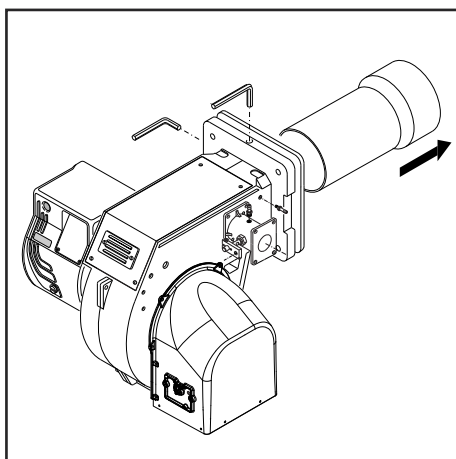
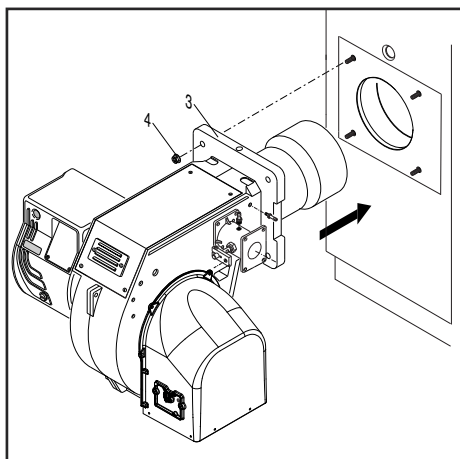
- Il termostato di regolazione interrompe la

richiesta di riscaldamento.

- Le valvole gas si chiudono.
- La fiamma si spegne.
- Il motore del ventilatore si ferma
- Il bruciatore è pronto per il successivo funzionamento.



Installazione - Montaggio del bruciatore



Montaggio del bruciatore

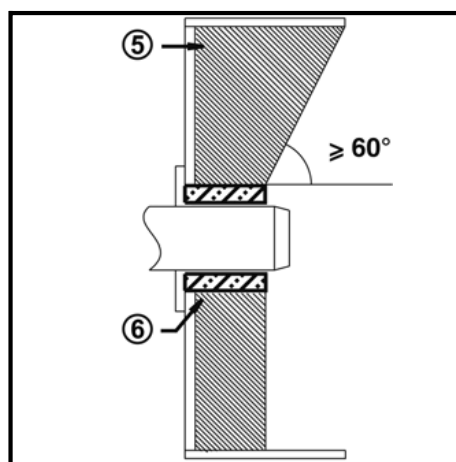
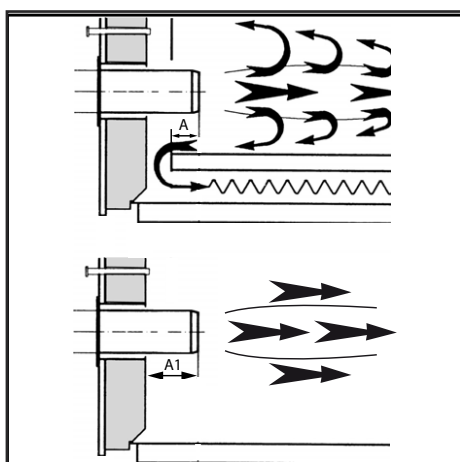
bruciatore viene fissato alla caldaia.

Montaggio :

- Fissare la flangia di attacco 3 alla caldaia con le viti 4.

Smontaggio :

- Allentare le viti e rimuovere il bruciatore.



Profondità di montaggio del bocchaglio del bruciatore e rivestimento refrattario

Per i generatori senza parete anteriore raffreddata e in assenza di indicazioni contrarie da parte del costruttore della caldaia, è necessario eseguire un rivestimento in mattoni o l'isolamento secondo la figura (5) a lato.

Il rivestimento in mattoni non deve sporgere oltre il bordo anteriore del bocchaglio e deve terminare con una conicità massima di 60°. Lo spazio d'aria (6) dev'essere riempito con un materiale isolante elastico, non infiammabile.

Per le caldaie deve essere rispettata la profondità di penetrazione del bocchaglio, in conformità con le indicazioni fornite dal costruttore della caldaia stessa.

Caldaie ad inversione di fiamma :

A = 50-100 mm.

Caldaie a tre giri di fumo :

A1 = 50-100 mm.

Linea alimentazione gas

Nell'installazione della linea di alimentazione e della rampa gas bisogna osservare le prescrizioni della EN676. Ulteriori accessori dovranno essere montati dall'installatore per soddisfare eventuali normative locali.

Prescrizioni di ordine generale per l'allacciamento del gas

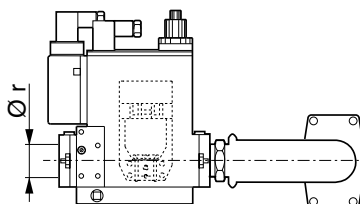
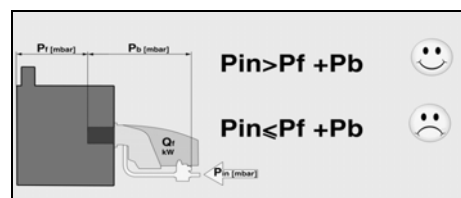
- Il collegamento della rampa gas alla rete del gas deve essere effettuato esclusivamente da un tecnico esperto autorizzato.
- La sezione della tubazione del gas deve essere preparata in modo tale che la pressione di alimentazione del gas non possa scendere al di sotto del valore prescritto.
- Una valvola manuale di arresto (non fornita) deve essere montata a monte della rampa gas.

LEGENDA

Pf: Contropressione al focolare

Pb: Pressione gas bruciatore (testa di combustione + rampa gas)

Pin: Pressione minima di alimentazione

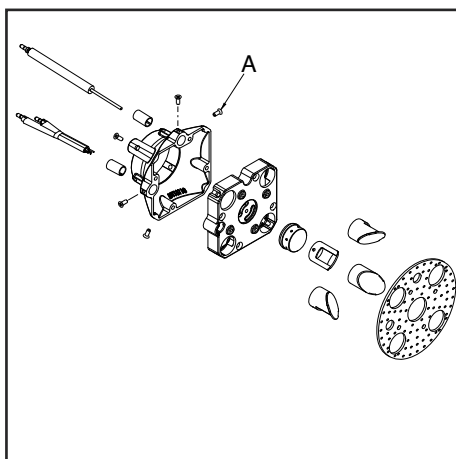


Condotta dei fumi

Al fine di evitare rumorosità indesiderate si raccomanda di evitare l'utilizzo di raccordi ad angolo retto al momento del collegamento della caldaia al camino.

TRASFORMAZIONE LPG

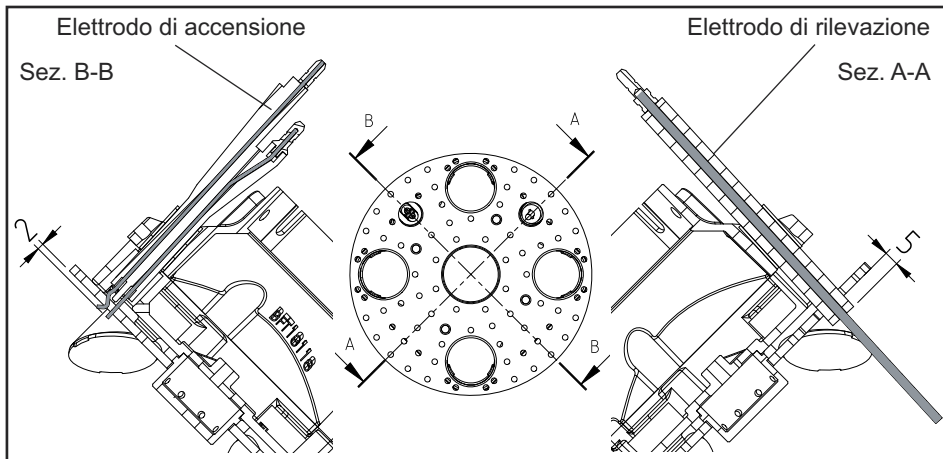
KITLPG	
KITLPG-BLU700.1	3124488
KITLPG-BLU1000.1-1500.1	3124489



Per trasformare il bruciatore da Metano a G.P.L. eseguire le seguenti operazioni :

- Rimuovere il bocchaglio.
- Sostituire i 4 diffusori con quelli G.P.L. agendo sulle viti A.
- Rimuovere il disco.
- Sostituire il Nasello con quello G.P.L..
- Rimontare correttamente il disco.
- Sostituire il bocchaglio con quello G.P.L. (non per la versione LN).

Installazione - Connessione elettrica - Controlli da eseguire prima della messa in funzione



Allacciamento elettrico

L'impianto elettrico e i lavori di allacciamento devono essere eseguiti esclusivamente da personale specializzato autorizzato.

A tal proposito devono essere rispettate le normative e le direttive vigenti. L'impianto d'alimentazione dovrà essere dotato di un interruttore differenziale di tipo A.

Rispettare obbligatoriamente le prescrizioni e le direttive in vigore, oltre allo schema elettrico fornito con il bruciatore!

- Verificare che l'apparecchio sia collegato ad un efficace impianto di terra.
- Verificare che il conduttore di terra del cavo di alimentazione sia più lungo di un paio di cm rispetto agli altri.
- Verificare che la tensione di rete corrisponda alla tensione d'esercizio indicata nello schema elettrico e targa dati.
- Fusibile sul bruciatore : 5 A

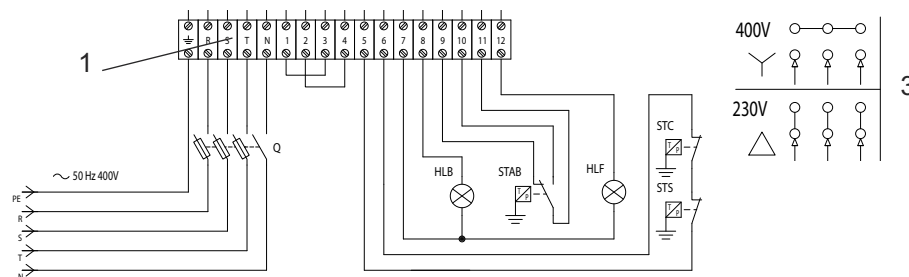
Allacciamento elettrico (plug-in)

Il bruciatore deve poter essere scollegato dalla rete mediante uno dei corrispondenti dispositivi di interruzione omipolari conformi alle norme vigenti.

Bruciatori e generatori termici (caldaie) vengono collegati tra di loro mediante una connessione alla morsettiera del pannello (fig.1).

Collegamento della rampa gas

Eseguire il collegamento della rampa gas-



Misurazione della corrente di ionizzazione

A bruciatore spento inserire un microamperometro in corrente continua. Con il bruciatore in funzione, e regolato correttamente, il valore letto dovrà essere stabile e mai inferiore a 3 μ A.

con le prese situate sul bruciatore.

I bruciatori sono prodotti con i collegamenti adatti all'alimentazione 400 V trifase.

I bruciatori con motori elettrici di potenza inferiore o uguale a 3 kW possono essere adattati per alimentazione a 220-230 V (seguire le istruzioni sul retro); per i motori con potenze superiori è possibile solo l'alimentazione a 380-400 V trifase.

In caso di richiesta di bruciatori diversi dallo standard sopra indicato si raccomanda di farne specifica menzione nell'ordine.

Istruzioni: come adattare motori elettrici di potenza uguale o inferiore a 3 kW per alimentazione 220-230 V

E' possibile modificare il voltaggio del bruciatore operando come segue:
1. modificare il collegamento all'interno della scatola di alimentazione del motore elettrico: da stella a triangolo (vedi figura 3);
2. modificare la taratura del relè termico, riferendosi ai valori di assorbimento riportati nella targa dati del motore elettrico. Se necessario, sostituire il relè termico con altro di scala idonea. Questa operazione non è possibile su motori superiori ai 3 kW. Per ulteriori informazioni, vi preghiamo di contattare il personale Ecoflam.

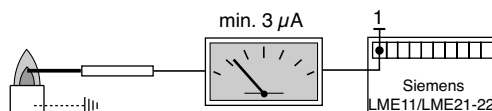
Posizione elettrodi

Verificare sempre la posizione degli elettrodi dopo la loro sostituzione o il montaggio del KIT LPG. Una posizione errata può comportare problemi di accensione o rilevazione.

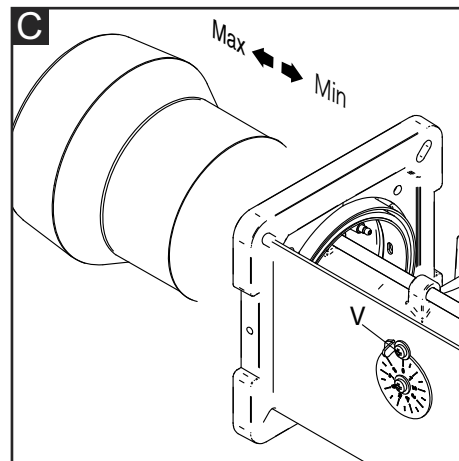
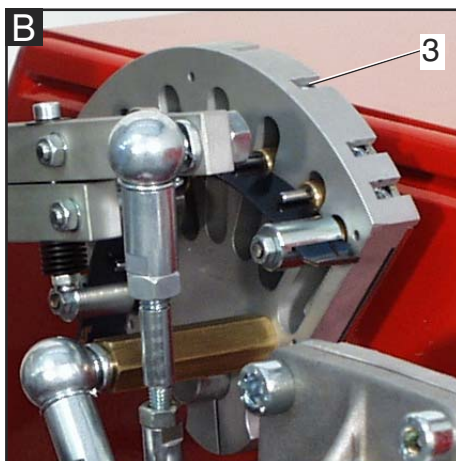
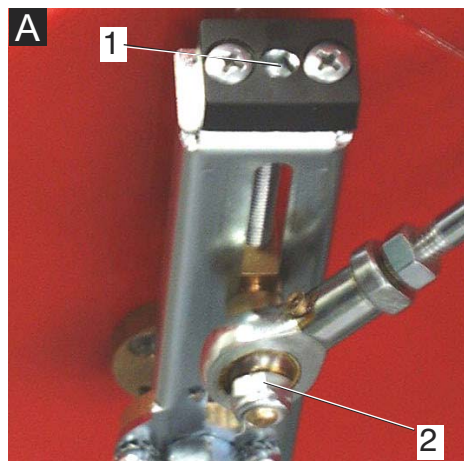
Controlli da eseguire prima della messa in funzione

Prima della messa in funzione devono essere controllati i seguenti punti.

- Montaggio del bruciatore secondo le presenti istruzioni.
- Preimpostazione del bruciatore secondo le indicazioni riportate nella tabella di regolazione.
- Controllo degli organi di combustione
- Il generatore termico dev'essere pronto per l'uso, le prescrizioni di montaggio del generatore termico devono essere rispettate.
- Tutti gli allacciamenti elettrici devono essere eseguiti correttamente.
- Il generatore termico ed il sistema di riscaldamento sono pieni d'acqua, le pompe di circolazione sono in funzione.
- Termostati, regolatore di pressione, dispositivo di sicurezza in caso di carenza d'acqua ed altri dispositivi limitatori eventualmente installati sono correttamente collegati e funzionanti.
- Le vie di scarico dei fumi devono essere sgombrare, il dispositivo per l'aria secondaria, se presente, dev'essere in funzione.
- Dev'essere garantito un sufficiente apporto di aria pura.
- Dev'essere presente una richiesta di riscaldamento.
- Deve essere disponibile una pressione del gas sufficiente.
- I condotti per il combustibile devono essere installati a regola d'arte, devono essere sottoposti ad un controllo per garantirne l'ermeticità ed essere disaerati.
- Il punto di misurazione previsto dalla norma per il controllo dei fumi di scarico dev'essere presente, il percorso dei fumi sino al punto di misurazione dev'essere a tenuta stagna in modo che i risultati delle misurazioni non possano essere falsati.



Messa in funzione - Regolazione



NB: la regolazione del bruciatore deve essere eseguita sempre con l'ausilio dello strumento di analisi della combustione

Regolazione della farfalla del gas: operare sulla lamina guida agendo sulla vite 3.

Regolazione della serranda aria: leva (A).

Regolazione della pressione del gas: vedi rampa gas.

Il bruciatore viene fornito con la testa di combustione e serranda aria entrambi regolati in posizione intermedia.

- Accendere il bruciatore e mantenerlo in minima potenza attraverso il commutatore del pannello di comando
- Controllare la combustione e regolarla cambiando la portata del gas attraverso chiave a brugola
- Attraverso il commutatore, aumentare la potenza a step successivi fermandosi a ciascuno di essi per regolare anche grossolanamente la portata del gas
- Se la potenza massima è raggiunta prima di arrivare a piena apertura farfalla gas e serranda aria, spostare la testa di combustione verso la posizione di minima potenza e ridurre la pressione in uscita dalle valvole e parallelamente aumentare sia l'apertura della serranda che la farfalla gas
- Se la potenza non viene raggiunta a piena apertura del servocomando, aumentare portata aria prima attraverso la serranda aria e poi attraverso lo spostamento della testa verso la posizione di massima fiamma; inoltre aumentare la pressione del gas agendo sulla rampa gas.

A questo punto il bruciatore è regolato alla potenza richiesta con serranda aria e farfalla gas a piena apertura. Sempre controllando i parametri di combustione. Si scende progressivamente verso la minima potenza utilizzando il selettore e fermandosi nei punti intermedi per controllare la combustione.

La potenza minima si può ora modificare attraverso la regolazione della relativa camma sul servocomando.

Regolazione della testa di combustione (C).

- Allentare la vite di fissaggio della leva V.
- Spostare la leva sino alla posizione desiderata.
- Ribloccare la vite di fissaggio.

Regolazione della valvola gas

Regolare le valvole gas in base alle istruzioni del manuale della rampa gas.

N.B. rispettate il valore minimo della temperatura fumi specificato dal costruttore della caldaia per evitare la formazione di condensa.

Servomotore SQN 72 4A4A20

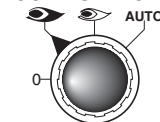
Togliere il coperchio per accedere alle camme di regolazione. Lo spostamento delle camme va effettuato con l'ausilio dell'apposita chiavetta in dotazione.

Descrizione:

- I - Camma (Rossa) di regolazione posizione di apertura in fiamma potenza max.
- II - Camma (Blu) di regolazione della posizione serranda allo spegnimento (chiusura).
- III - Camma (Arancione) di regolazione posizione di apertura in fiamma potenza min.
- IV - Non utilizzata (Nera).

(5): LEVA DI SBLOCCO

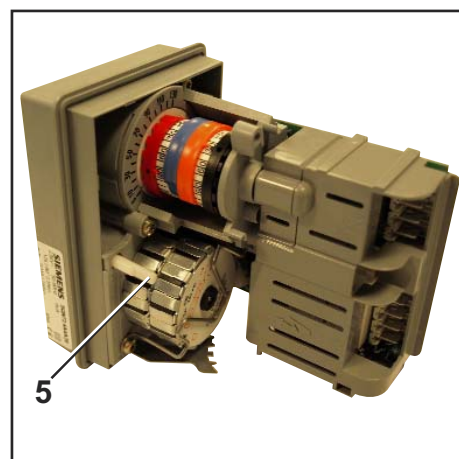
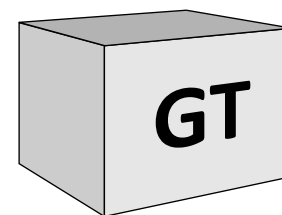
COMMUTATORE



0 = bloccaggio degli apparati per il funzionamento in una posizione intermedia

👁️ = funzionamento alla massima potenza
👁️ = funzionamento alla minima potenza

AUTO = funzionamento automatico



Pericolo di deflagrazione:

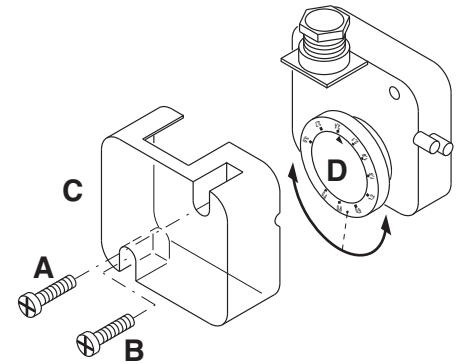
durante le operazioni di regolazione, verificare costantemente le emissioni di CO, CO₂ e l'indice di fumosità. In presenza di formazioni di CO modificare i valori della combustione. Il valore massimo di CO non deve superare i 50ppm.

Messa in funzione - Regolazione dei pressostati aria e gas

Regolazione del pressostato aria

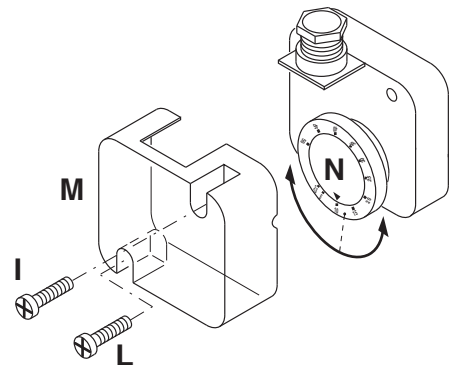
Il pressostato aria controlla la pressione dell'aria di ventilazione. Svitare le viti A e B e rimuovere il coperchio C.

- Tarate la combustione con il pressostato aria regolato al minimo.
- Ostruite l'aspirazione dell'aria con un cartone facendo attenzione ai valori di O₂ e CO dell'analizzatore.
- Progressivamente aumentate la chiusura del passaggio aria finché il valore del CO è leggermente sopra i 1000 ppm. Fermate il cartone in questa posizione.
- Aumentate la taratura del pressostato aria fino al blocco del bruciatore.
- Ora il pressostato è tarato in modo da evitare la produzione di CO.
- Togliete il cartone e rimontare il coperchio C.



Regolazione del pressostato gas di minima

Il pressostato gas di minima ha la funzione di controllare la pressione minima del gas prima della valvola gas permettendo al bruciatore di funzionare correttamente. Svitare le viti I e L e togliere il coperchio M. Posizionare la ghiera N ad un valore pari al 60% della pressione nominale di alimentazione gas (es.: per gas metano press. nominale =20 mbar; regolatore posizionato al valore 12 mbar; per G.P.L. pressione nominale G30-G31 30/37 mbar regolatore posizionato al valore di 18 mbar). Rimontare il coperchio M.



Controllo funzionamento

Un controllo di sicurezza del monitoraggio fiamma dev'essere eseguito sia in occasione della prima messa in funzione, sia dopo aver eseguito revisioni o dopo un lungo periodo di inattività dell'impianto.

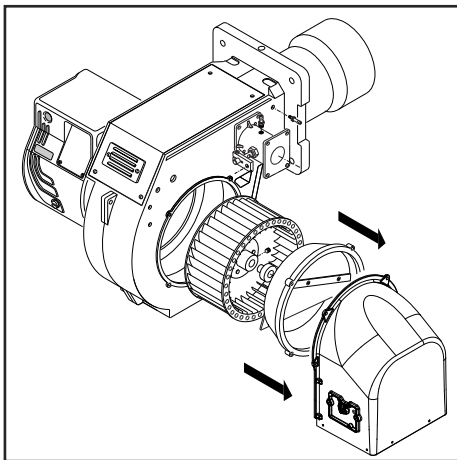
- Test di messa in moto con il rubinetto del gas chiuso: l'apparecchiatura di controllo dovrà segnalare il non funzionamento per mancanza gas o andare in blocco al termine del tempo di sicurezza.

Assistenza - Manutenzione

Gli interventi di assistenza sulla caldaia e sul bruciatore devono essere eseguiti esclusivamente da personale tecnico qualificato. Al fine di garantire una regolare esecuzione degli interventi di assistenza, si consiglia al gestore dell'impianto di stipulare un contratto di assistenza.

Attenzione

- Prima degli interventi di manutenzione e pulizia, disinserire la tensione.
- Il bocaglio ed i componenti della testa possono essere caldi.



Controllo della temperatura dei fumi di scarico

- Controllare regolarmente la temperatura dei fumi di scarico.
- Pulire la caldaia se la temperatura dei fumi di scarico supera il valore della messa in funzione di oltre 30°C.
- Al fine di semplificare il controllo, installare un display per la visualizzazione della temperatura dei fumi di scarico.

Interventi di manutenzione sul bruciatore

- Controllare i componenti di alimentazione gas (tubazioni, filtri, ecc.) ed i collegamenti per individuare perdite o segni di usura ed eventualmente sostituirli.
- Controllare la presenza di danni su connessioni elettriche e cavi di raccordo ed eventualmente sostituirli.
- Controllare il filtro gas, pulire e, all'occorrenza, sostituzione se necessario.
- Pulire ventola a carter e controllare che non presentino danni.
- Controllare e pulire i dispositivi di miscelazione.
- Controllare gli elettrodi di accensione ed eventualmente regolarli o sostituirli.
- Avviare il bruciatore, controllare i dati

dei fumi di scarico ed eventualmente correggere le regolazioni del bruciatore.

- Controllare le regolazioni dei pressostati aria e gas.
- Controllare la regolazione della rampa gas.
- Effettuare un controllo del funzionamento.

Assistenza - Possibili inconvenienti

Cause ed eliminazione delle anomalie

In presenza di anomalie, devono essere controllati i presupposti fondamentali per il corretto funzionamento dell'impianto:

1. C'è tensione?
2. C'è la pressione del gas?
3. La valvola di intercettazione del gas è aperta?
4. Tutti gli apparecchi di regolazione e sicurezza come il termostato caldaia, il

dispositivo di sicurezza in caso di carenza d'acqua, il fincorsa, ecc., sono impostati?

Nel caso in cui, dopo il controllo dei punti suddetti, l'anomalia persistesse, usare la seguente tabella.

I componenti di sicurezza non devono essere riparati, bensì devono essere sostituiti con componenti riportanti lo stesso codice articolo.

Utilizzare esclusivamente pezzi originali del costruttore.

NB: Dopo ogni intervento controllare:

- i valori di combustione in condizioni di esercizio (porta del locale caldaia chiusa, copertura montata, ecc.).
- registrare i valori di combustione nel libretto di centrale.

Manutenzione

Controllo annuale

Il controllo periodico del bruciatore (testa di combustione, elettrodi, ecc.) deve essere effettuato da personale autorizzato una o due volte all'anno a seconda dell'utilizzo. Prima di procedere al controllo per la manutenzione del bruciatore è consigliabile verificare lo stato generale del bruciatore e seguire le seguenti operazioni:

- Togliere tensione al bruciatore (togliere la spina).
- Chiudere il rubinetto di intercettazione gas.
- Togliere il coperchio del bruciatore, pulire la ventola e l'aspirazione dell'aria.
- Pulire la testa di combustione e controllare la posizione degli elettrodi.
- Rimontare i pezzi.
- Verificare la tenuta dei raccordi gas.
- Verificare il camino.
- Far ripartire il bruciatore.
- Controllare i parametri della combustione.

Prima di ogni intervento controllare:

- Che ci sia tensione elettrica nell'impianto ed il bruciatore sia collegato.
- Che la pressione del gas sia corretta e il rubinetto di intercettazione del gas aperto.
- Che i sistemi di controllo siano regolarmente collegati. Se tutte queste condizioni sono soddisfatte, far partire il bruciatore premendo il pulsante di

- sblocco.
- Controllare il ciclo del bruciatore.

Il bruciatore non si avvia:

- Controllare l'interruttore, i termostati, il motore, la pressione gas.

Il bruciatore effettua la preventilazione ed al termine del ciclo va in blocco:

- Controllare la pressione dell'aria e la ventola.
- Controllare il pressostato aria.

Il bruciatore effettua la preventilazione e non accende:

- Verificare il montaggio e la posizione degli elettrodi.
- Verificare i cavi di accensione.
- Verificare il trasformatore di accensione.
- Verificare l'apparecchiatura di sicurezza.

Il bruciatore si accende e dopo il tempo di sicurezza va in blocco:

- Controllare fase e neutro che siano collegati correttamente.
- Controllare le elettrovalvole del gas.
- Controllare la posizione dell'elettrodo di rilevazione e la sua connessione.
- Controllare l'elettrodo di rilevazione.
- Controllare l'apparecchiatura di sicurezza.

Il bruciatore si accende e dopo qualche minuto di funzionamento va in blocco:

- Controllare il regolatore di pressione ed il filtro gas.

- Controllare la pressione del gas con un manometro.
- Controllare il valore di rilevazione (min 3 µA).

Tabella codici errori

Lampeggi (LED)	«AL» term. n°10	Possibile cause
2 lampeggi	on	Assenza di fiamma al termine del tempo di sicurezza all'accensione «TSA» - elettrovalvole difettose - rilevatore fiamma difettoso - regolazione bruciatore errata - elettrodi difettosi
3 lampeggi	on	Guasto pressostato aria - Mancanza del segnale pressostato aria dopo «t10», - Contatti pressostato aria incollati in posizione di riposo
4 lampeggi	on	Segnale fiamma estraneo
5 lampeggi	on	Segnale pressostato aria fuori tempo Contatti pressostato aria incollati in posizione di lavoro
6 lampeggi	on	Non utilizzati
7 lampeggi	on	Troppe mancanze di fiamma durante il funzionamento (superato il limite del n° di ripetizioni del ciclo) - elettrovalvole difettose. - rilevatore fiamma difettoso - regolazione bruciatore errata.
8 lampeggi	on	Non utilizzati
9 lampeggi	on	Non utilizzati
10 lampeggi	off	Contatti in uscita difettosi o guasto del dispositivo interno od errore nel cablaggio
14 lampeggi	on	Indicatore di posizione chiusa aperto

Contenus généraux - Sommaire - Notices générales

Vue d'ensemble	Données techniques	3
	Domaine de fonctionnement	4
	Dimensions	5
Contenus généraux	Sommaire	26
	Notices générales	26
	Description du brûleur	27
Fonction	Fonctions générales de sécurité	28
	Coffret de commande et de sécurité SIEMENS	29
Installation	Montage du brûleur	30
	Raccordement électrique	31
	Contrôles avant la mise en service	31
Mise en service	Réglage du brûleur	32
	Réglage des pressostats d'air et de gaz	33
Maintenance	Entretien	34
	Problèmes possibles	35
Vue d'ensemble	Diagrammes perte de pression de gaz	66-75
	Schémas électrique	76-77
	Pièces de rechange	78-83
Contenus généraux	Déclaration de conformité	84

Mise en garde

Les brûleurs BLU sont conçus pour la combustion de gaz naturel et de gaz propane, avec faibles rejets polluants. Les brûleurs répondent à la norme EN 676. Le montage, la mise en route et l'entretien ne peuvent être exécutés que par des spécialistes autorisés, dans le respect des directives et prescriptions en vigueur.

Description du brûleur

Le brûleur BLU PR progressif, à fonctionnement complètement automatique en exécution monobloque. La géométrie de la tête de combustion permet d'obtenir de faibles niveaux de NOx et d'imbrûlés, pour un meilleur rendement du générateur. Les émissions peuvent différer de celles recensées dans le laboratoire d'essai puisque cela dépend beaucoup du générateur sur lequel le brûleur est installé.

L'installateur doit respecter les normes en vigueur. Par exemple, éviter les locaux dangereux et non ventilés.

Les dommages résultant des causes suivantes ne pourront pas être couverts par la garantie:

- utilisation inappropriée.
- installation et/ou remise en état erronées par l'acheteur ou par un tiers, y compris la mise en place de pièces d'autres origines.

Remise de l'installation et conseils d'utilisation

L'artisan qui réalise l'installation doit donner à l'utilisateur, au plus tard au moment de la réception de l'installation, les notices d'utilisation et d'entretien. Elles doivent être conservées bien visibles dans la chaufferie. L'adresse et le numéro d'appel de la station-service la plus proche doivent y être inscrits.

Conseils à l'utilisateur

L'installation doit être vérifiée au moins une fois par an par un spécialiste. Pour en garantir l'exécution régulière, la conclusion d'un contrat d'entretien est fortement conseillée. contract to guarantee regular servicing.

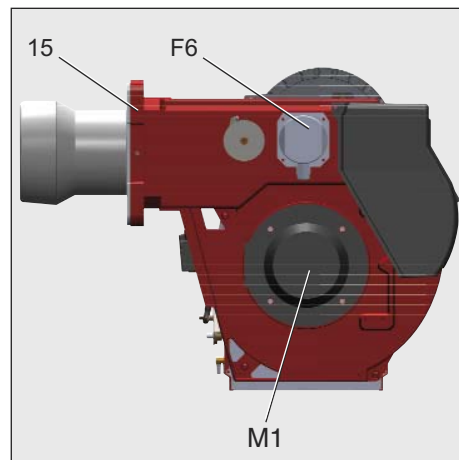
Les brûleurs Ecoflam ont été conçus et construits dans le respect des réglementations et des directives actuelles. Tous les brûleurs sont conformes aux réglementations relatives à la sécurité et aux économies d'énergie dans la limite du domaine d'utilisation déclaré. La qualité du produit est garantie par le système de certification conformément à la norme ISO 9001:2008.



Contenus généraux - Description du brûleur

BLU 1200.1 LN PR TC

NOM	BLU
MODÈLE	BLU 1200.1
ÉMISSIONS	LN Low NOx Classe 3 GAS EN676 (≤ 80 mg/kWh) - Standard Classe 2 GAS EN676 (≤ 120 mg/kWh)
TYPE DE FONCTIONNEMENT	PAB 2 allure PR 2 allure progressifs mécanique PRE 2 allure électronique progressive
TYPE TÊTE	TC Tête courte TL Tête longue



- A1 SIEMENS Coffret de commande et de sécurité gaz.
- F6 Pressostat air
- M1 Moteur électrique
- T1 Transformateur d'allumage
- 5 Fusion
- 8 Gueulard
- 10 Fiche femelle Wieland
- 15 Bride du brûleur
- 16 Bouton de déblocage
- 103B Régulation de l'air
- 113 Volet d'air

Emballage

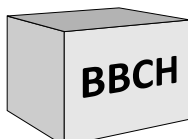
Le brûleur est livré avec un système modulaire d'emballage (boîtes séparées):

BBCH: Brûleur avec une tête de combustion et une bride.

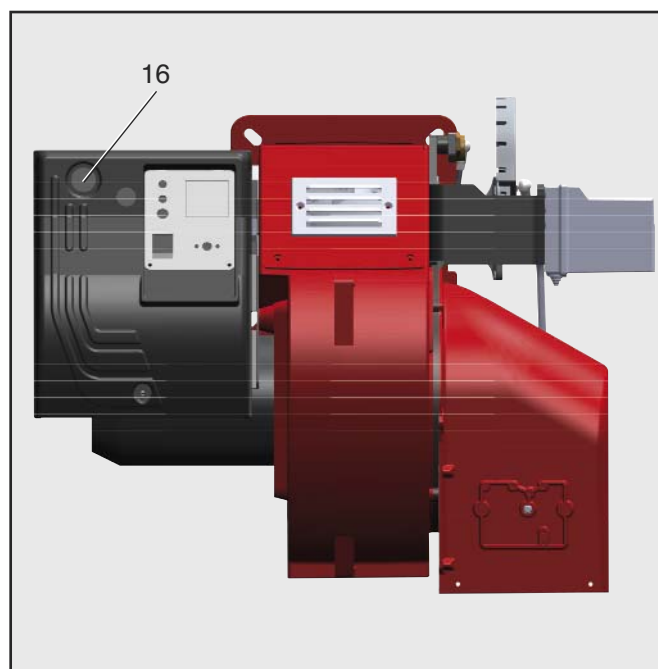
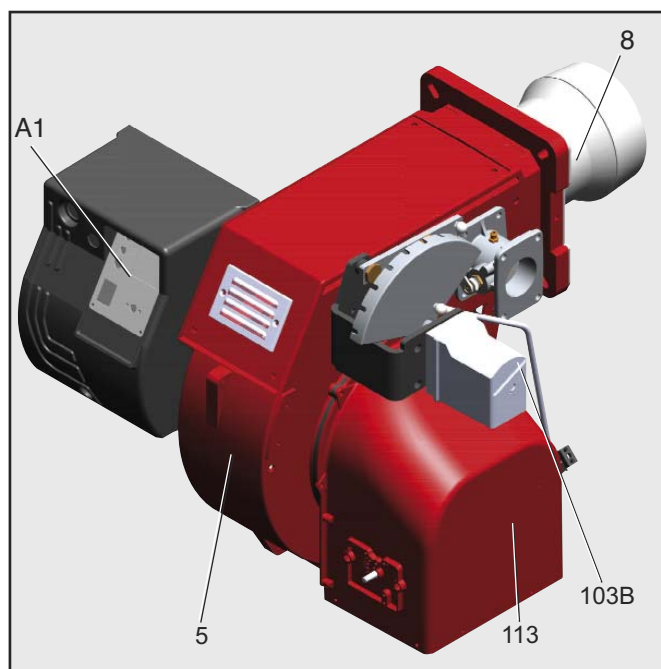
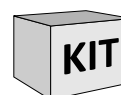
- 1 sachet : - manuel technicien dans multilingue.
- clé six-pans.
- vis, écrous et rondelles.

GT: Rampe gaz séparée

KIT & ACS commandés et livrés séparément



KIT & ACS commandés et livrés séparément



Fonction - Fonctions générales de sécurité

Description du fonctionnement

Lors de la première mise sous tension, après une coupure de tension ainsi qu'une mise en sécurité, après une coupure de gaz ou après un arrêt de 24 heures commence un temps de pré ventilation de 30 sec.

Pendant le temps de préventilation:

- la pression d'air est surveillée.
- contrôle de la présence d'éventuels signaux de flamme anormaux.

Après l'écoulement du temps de préventilation

- l'allumeur est mis en circuit.
- l'électrovanne principale et de sécurité est ouverte.
- démarrage du brûleur.

Surveillance

La flamme est surveillée par une sonde d'ionisation. La sonde est montée de façon isolée sur la tête gaz et est dirigée à travers le déflecteur dans la zone de la flamme. La sonde ne doit pas avoir de contact électrique avec des pièces mises

à la terre. Si un court-circuit apparaît entre la sonde et la masse du brûleur, le brûleur se met en défaut. En fonctionnement, une zone ionisée naît dans la flamme gaz à travers laquelle un courant redressé circule de la sonde vers le tube du brûleur.

Fonctions de sécurité

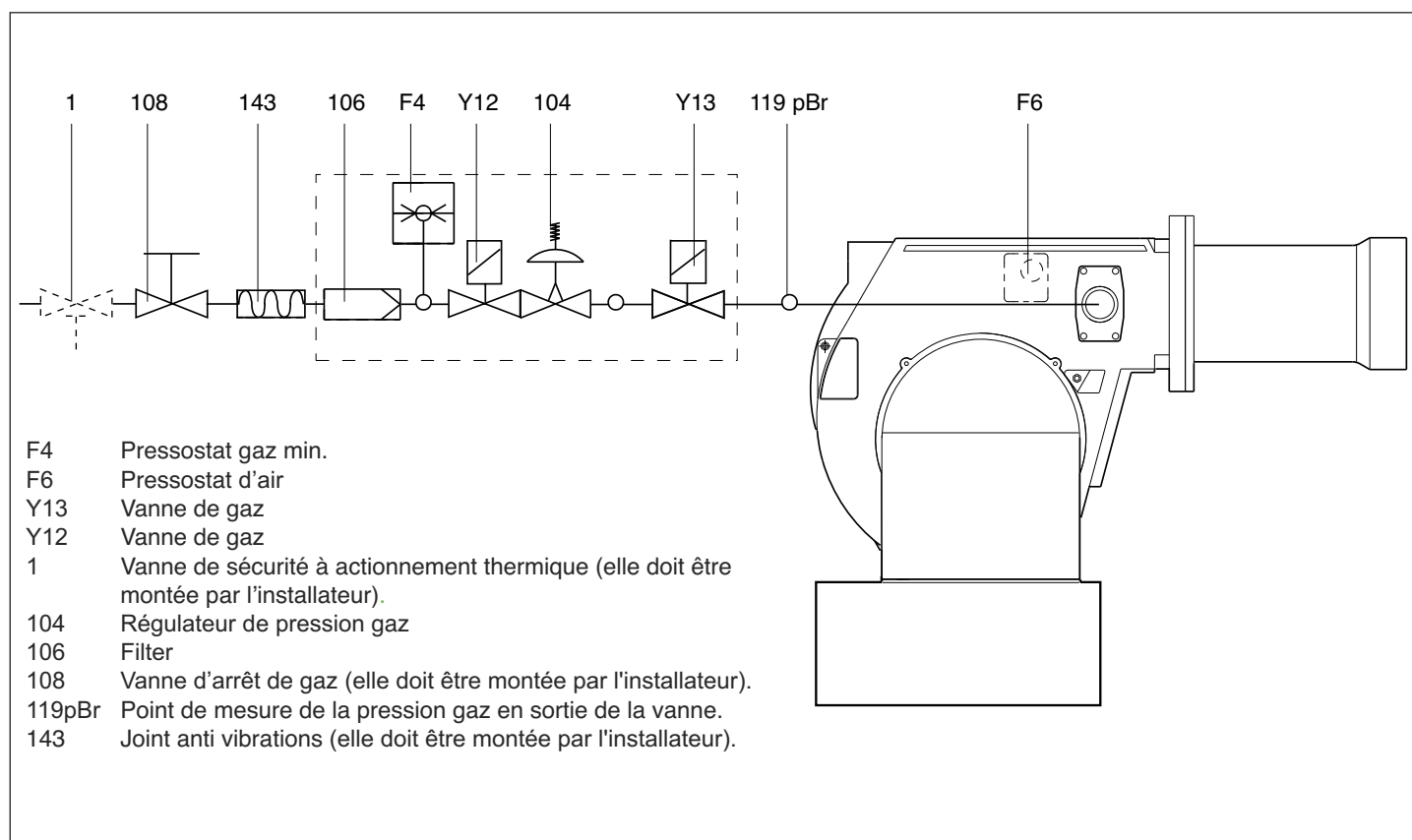
- Si aucune flamme ne se forme au démarrage du brûleur (libération du gaz), le brûleur est coupé après écoulement du temps de sécurité, la vanne gaz se ferme.
- En cas de défaillance de la flamme pendant le fonctionnement, l'alimentation en gaz est interrompue et l'unité de commande et le contrôle passe au bloc.
- En cas de manque d'air pendant la préventilation ou le fonctionnement, l'unité de commande et le contrôle passe au bloc.
- En cas de manque de gaz, le brûleur ne se met pas en fonctionnement et/ ou s'arrête.

Lors de l'arrêt de régulation

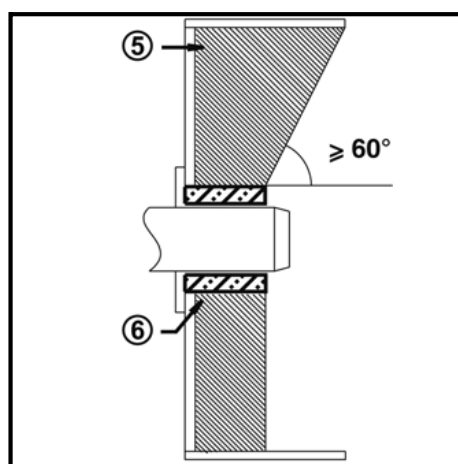
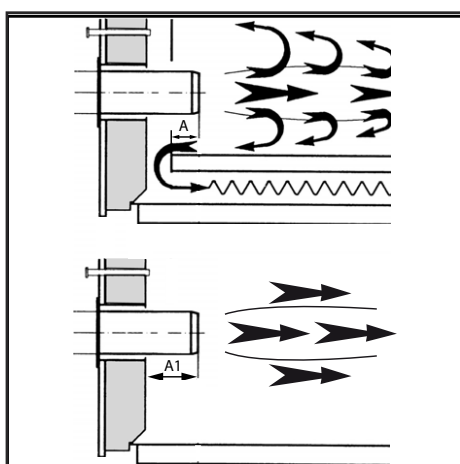
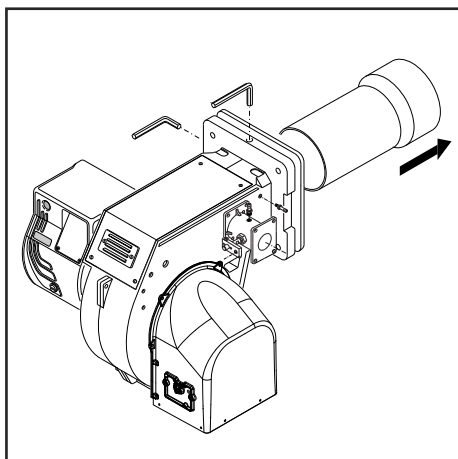
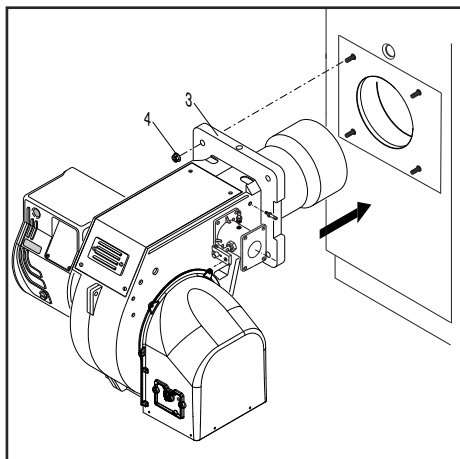
- Le thermostat de régulation interrompt la

demande de chauffe.

- Les vannes gaz se ferment.
- La flamme s'éteint.
- Le moteur de ventilation s'arrête.
- Le brûleur est prêt à fonctionner.



Installation - Montage du brûleur

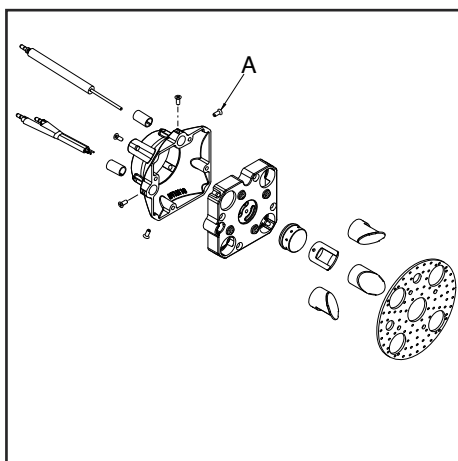
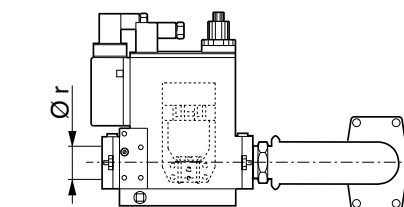
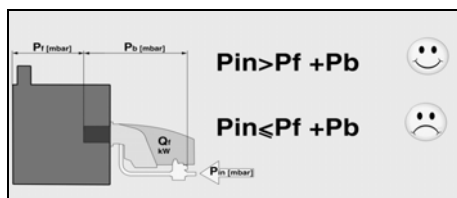


Ligne d'alimentation en gaz

Dans l'installation de la ligne d'alimentation et de la rampe de gaz, il y a lieu de respecter les consignes de l'EN676. D'autres accessoires devront être montés par l'installateur pour satisfaire à d'éventuelles réglementations locales.

Prescriptions d'ordre général pour le raccordement gaz

- Le raccordement de la rampe gaz au réseau de gaz ne peut être réalisé que par un technicien spécialiste agréé.
- La section de la tuyauterie de gaz doit être réalisée de telle sorte que la pression d'alimentation gaz ne tombe pas en dessous de la valeur prescrite.
- Une vanne manuelle d'arrêt (non fournie) doit être montée en amont de la rampe gaz.



LÉGENDE

Pf: contre-pression dans la chambre de combustion.
Pb: pression du brûleur (tête de combustion + rampe gaz complète)
Pin: pression d'entrée gaz minimale

Montage du brûleur

Le brûleur est fixé à la chaudière.

Montage :

- Fixer la bride de fixation 3 à la chaudière au moyen des vis 4.

Démontage :

- desserrez les vis et retirez le brûleur.

Profondeur de montage du tube du brûleur et garnissage en maçonnerie

Pour les générateurs sans paroi avant refroidie et en l'absence d'indications contraires par le constructeur de la chaudière, il est nécessaire de réaliser un garnissage en maçonnerie ou une isolation (5) selon la figure ci-contre.

Le garnissage en maçonnerie ne doit pas déborder la bordure avant du gueulard et sa dépouille conique ne doit pas dépasser 60°. L'interstice d'air (6) doit être comblé avec un matériau d'isolation élastique et ininflammable.

Dans les chaudières, la profondeur de pénétration du tube de flamme doit être respectée tout en tenant compte des indications du constructeur de la chaudière.

Chaudières à foyer borgne :

A = 50-100 mm.

Chaudières à trois passes :

A1 = 50-100 mm.

Mené des fumées

Au fin d'éviter du bruit non désirées, il est recommandé d'éviter les pièces de raccordement à angles droits lors du raccordement de la chaudière à la cheminée.

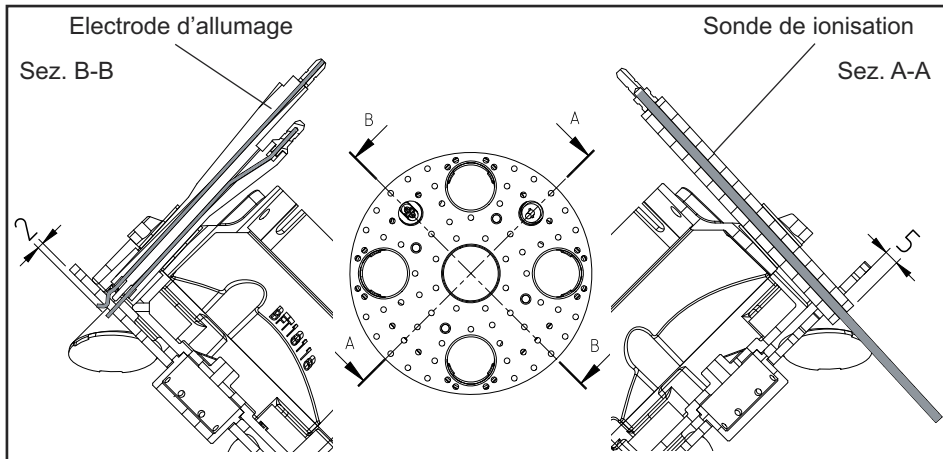
TRANSFORMATION AU GPL

KITLPG	
KITLPG-BLU700.1	3124488
KITLPG-BLU1000.1-1500.1	3124489

Pour transformer le brûleur du gaz naturel (méthane) au GPL, exécuter les opérations suivantes:

- Enlever le gueulard.
- Remplacer les 4 diffuseur par les diffuseur GPL en agissant sur les vis A.
- Enlever de disc.
- Remplacer le Mentonnet par le Mentonnet GPL.
- Remonter correctement le disc.
- Remplacer le gueulard par le gueulard GPL (pas pour la version LN).

Installation - Raccordement électrique - Contrôles avant la mise en service



Position électrodes

Toujours vérifier la position des électrodes après leur remplacement ou le montage du KIT LPG. Une position erronée des électrodes pourrait causer des problèmes d'allumage ou de révélation.

Contrôles avant la mise en service

Il convient de contrôler les points suivants avant la première mise en service.

- Montage du brûleur conformément aux présentes instructions.
- Préréglage du brûleur conformément aux indications du tableau de réglage.
- Réglage des organes de combustion.
- Le générateur de chaleur doit être prêt à fonctionner, les prescriptions d'exploitation du générateur de chaleur doivent être respectées.
- Toutes les connexions électriques doivent être réalisées correctement.
- Le générateur de chaleur et le système de chauffage sont remplis d'eau, les pompes de circulation sont en service.
- Le régulateur de température, le régulateur de pression, la protection contre le manque d'eau et les autres dispositifs de limitation et de sécurité éventuellement présents sont raccordés et opérationnels.
- La cheminée doit être dégagée et le dispositif d'air additionnel, si présent, en fonctionnement.
- Un apport d'air frais suffisant doit être garanti.
- La demande de chaleur doit être présente.
- Une pression de gaz suffisante doit être disponible.
- Les conduites de combustible doivent être montées dans les règles de l'art, leur étanchéité contrôlée et être purgées.
- Un point de mesure conforme aux normes doit être présent, le conduit de fumée jusqu'au point de mesure doit être étanche, de telle manière que les résultats de mesure ne soient pas faussés.

Raccordement électrique

L'installation électrique et les travaux de raccordement doivent être réalisés exclusivement par le personnel qualifié et autorisé.

Les prescriptions et directives en vigueur doivent être respectées.

L'installation d'alimentation devra être munie d'un interrupteur différentiel de type A.

Respecter obligatoirement les prescriptions et les directives en vigueur, outre le schéma électrique fourni avec le brûleur!

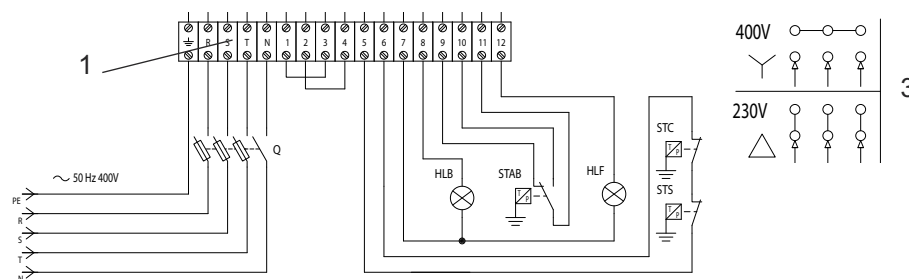
- S'assurer que l'appareil est bien relié à une installation de mise à la terre efficace.
- Vérifier si le fil de terre du câble d'alimentation dépasse de quelques centimètres les autres câbles.
- Vérifier si la tension électrique d'alimentation correspond à la tension indiquée dans le schéma électrique et sur la plaque signalétique.
- Fusible du brûleur : 5 A

Raccordement électrique par connecteurs

Le brûleur doit pouvoir être déconnecté du réseau à l'aide d'un dispositif de coupure omnipolaire conforme aux normes en vigueur. Le brûleur et le générateur de chaleur (chaudière) sont reliés entre eux par au bornier (fig.1).

Raccordement de la rampe de gaz

Raccorder la rampe de gaz aux prises situées sur le brûleur.



Les brûleurs sont fabriqués avec d'appropriées connexions d'alimentation 400 V triphasées.

Les brûleurs équipés de moteurs électriques d'une puissance égale ou inférieure à 3 kW peuvent être adaptés à l'alimentation 220-230 V (suivre les instructions au verso); les moteurs de puissance supérieure peuvent seulement fonctionner 380-400 V phase.

En cas de demande de brûleurs avec des standards différents par rapport à ceux dessus mentionnés, il est recommandé d'en faire mention spécifique dans la commande.

Instructions: adapter les moteurs électriques d'une puissance égale ou inférieure à 3 kW à l'alimentation 220-230 V

Il est possible de modifier la tension du brûleur de la manière suivante:

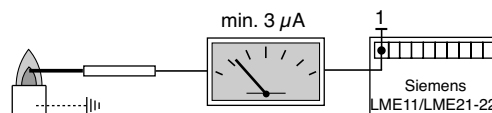
1. changer le lien à l'intérieur de la boîte du moteur électrique: d'étoile en triangle (voir image 3);
2. modifier le réglage du relais thermique, se référant aux valeurs d'absorption indiquées sur la plaque signalétique du moteur. Si nécessaire, remplacer le relais thermique avec un autre d'échelle appropriée.

Cette opération n'est pas possible sur les moteurs supérieurs à 3 kW.

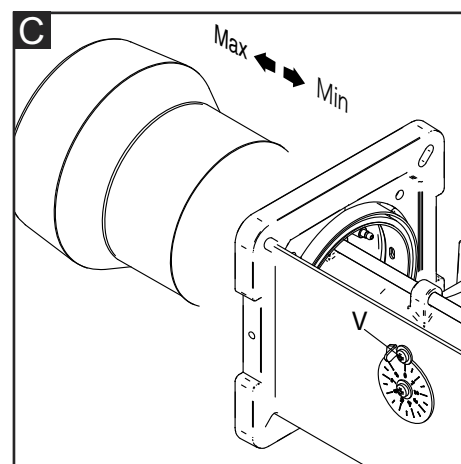
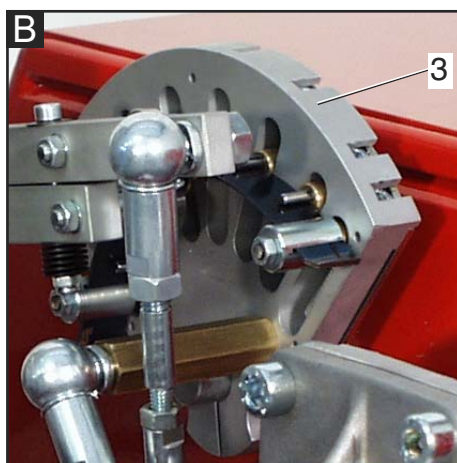
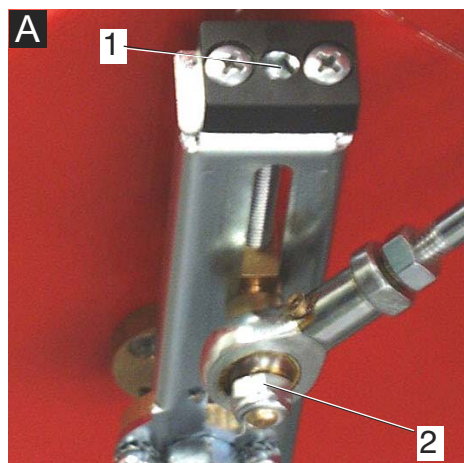
Pour plus de renseignements, s'il vous plaît contacter le personnel Ecoflam.

Mesure du courant d'ionisation

Avec le brûleur éteint, brancher un micro-ampèremètre à courante continue. Avec le brûleur en fonction, et dûment réglé, la valeur lue doit être stable et ne jamais être inférieure à 3 µA.



Mise en service - Réglage du brûleur



NB: le réglage du brûleur doit s'effectuer à l'aide de l'outil d'analyse de la combustion.

Réglage du papillon du gaz : régler le guide à l'aide de la vis 3.

Réglage du volet d'air : levier (A).

Réglage de la pression du gaz : v. rampe de gaz.

Le brûleur est livré avec la tête de combustion et le volet d'air réglé en position intermédiaire.

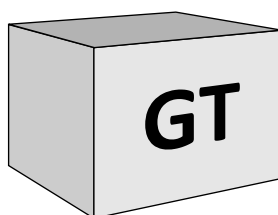
- Allumer le brûleur et le maintenir à la puissance minimale à l'aide du commutateur du panneau de commande.
 - Contrôler la combustion et la régler en modifiant le débit de gaz à l'aide de la clé à douille.
 - Avec le commutateur, augmenter la puissance par palier en s'arrêtant à chacun d'eux pour régler grossièrement le débit de gaz.
 - Si la puissance maximale est atteinte avant d'arriver à pleine ouverture du papillon et du volet d'air, déplacer la tête de combustion sur la puissance minimale, et réduire la puissance de sortie des vannes tout en augmentant parallèlement l'ouverture du volet et le papillon de gaz.
 - Si la puissance n'est pas atteinte à la pleine ouverture de la servocommande, augmenter le débit d'air avec le volet d'air et ensuite déplacer la tête en position de flamme maximale. Augmenter la pression du gaz en intervenant sur la rampe de gaz.
- A ce stade, le brûleur est réglé sur la puissance requise avec le volet d'air et le papillon des gaz à pleine ouverture. Toujours en contrôler les paramètres de combustion.
- Descendre ensuite progressivement vers la puissance minimale à l'aide du sélecteur et s'arrêter aux points intermédiaires pour contrôler la combustion.
- La puissance minimale peut être modifiée en intervenant sur la tige correspondante de la servo-commande.

Régulation de la tête de combustion (C).

- Desserrer la vis de blocage du levier V.
- Déplacer le levier jusqu'à atteindre la position désirée.
- Serrer à nouveau la vis de blocage.

Réglage de la vanne de gaz

Régler les vannes de gaz en fonction des instructions du manuel de la rampe de gaz.



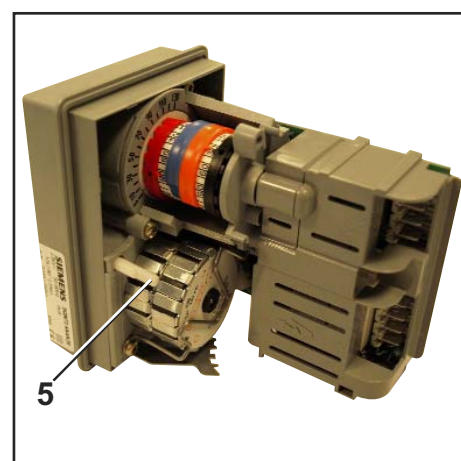
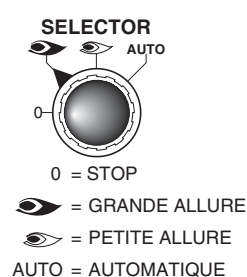
Attention: en cas d'installation sur une chaudière, respecter la température minimale des fumées d'évacuation en fonction des indications du fabricant de la chaudière et selon les exigences du système d'évacuation des fumées, afin d'éviter la formation de condensation.

Servomoteur SQN 72 4A4A20

Enlever le couvercle pour avoir accès aux cames de régulation. La régulation des cames doit être faite à l'aide de la clé en dotation. Description:

- I - Came de régulation (rouge) de la position d'ouverture en puissance max.
- II - Came de régulation (bleu) de la position du clapet de l'air à la coupure.
- III - Came de régulation (orange) de la position d'ouverture en puissance min.
- IV - Came de régulation (noir) libre (non utilisé).

(5): BOUTON DE DEBRANCHEMENT



Risque de déflagration:

Contrôler en permanence le CO, le CO₂ et les émissions de fumée pendant le réglage. En cas de formation de CO, optimiser les valeurs de combustion. La teneur en CO ne doit pas dépasser 50 ppm.

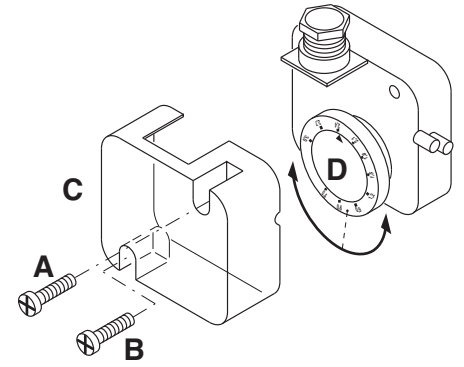
Mise en service - Régulation des pressostat air et gaz

Réglage du pressostat d'air

Le pressostat d'air contrôle la pression de l'air de ventilation.

Dévisser les vis A et B et enlever le couvercle C.

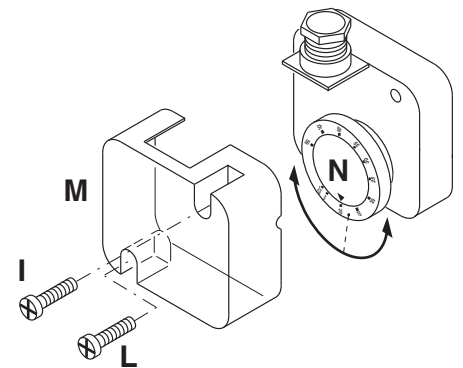
- Procédez à la régulation de la combustion, le pressostat air étant réglé sur son minimum.
- Bouchez l'aspiration de l'air avec un carton en contrôlant les valeurs de O₂ et de CO sur l'analyseur.
- Augmentez progressivement la fermeture du passage de l'air jusqu'à ce que la valeur de CO dépasse légèrement 1000 ppm. Fixez le carton dans cette position.
- Augmentez le réglage du pressostat air jusqu'au blocage du brûleur.
- Le pressostat est à présent réglé de manière à éviter toute production de CO.
- Retirez le carton et remontez le couvercle C.



Réglage du pressostat du gaz min.

Le pressostat gaz mini a la fonction de vérifier que la pression du gaz avant la vanne soit à la valeur minimale pour que le brûleur fonctionne correctement.

Dévisser les vis I et L et enlever le couvercle M. - Positionner le régulateur N à une valeur équivalente au 60% de la pression nominale d'alimentation du gaz (par ex.: pour gaz nat. avec pression nom. de 20 mbar, positionner le régulateur à une valeur de 12 mbar; pour G.L.P. avec pression nom. G30/G31 30/37 mbar, positionner le régulateur à 18 mbar). - Remonter le couvercle M et visser les vis I et L.



Contrôle de fonctionnement

Il convient de procéder à un contrôle de sécurité de la surveillance de flamme aussi bien lors de la première mise en service qu'après des révisions ou un arrêt prolongé de l'installation.

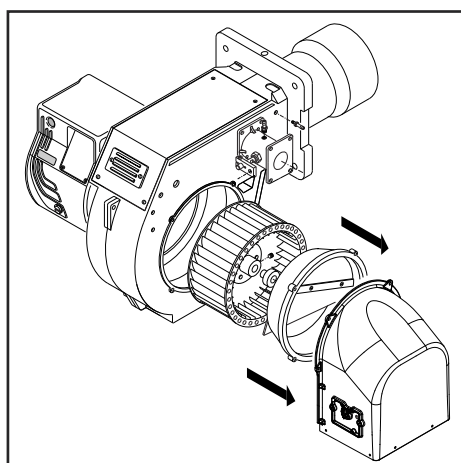
- Essai de démarrage avec la vanne de gaz fermée: L'appareillage de contrôle devra signaler le non fonctionnement par absence de gaz ou se bloquer une fois le temps de sécurité écoulé.

Maintenance - Entretien

Les travaux d'entretien sur la chaudière et sur le brûleur ne doivent être exécutés que par un spécialiste en chauffage. Afin d'assurer des opérations d'entretien régulières la souscription d'un contrat d'entretien doit être recommandée à l'utilisateur de l'installation.

Attention

- Avant toute intervention d'entretien et de nettoyage, couper l'alimentation électrique.
- L'gueulard et les composantes de la tête peuvent être chauds.



Contrôle des températures des gaz de combustion

- Contrôler régulièrement la température des gaz de combustion.
- Nettoyer la chaudière lorsque la température des gaz de combustion dépasse la valeur à la mise en service de plus de 30°C.
- Utiliser un afficheur de température des gaz de combustion pour faciliter le contrôle.

Positions d'entretien

- Tous les composants d'alimentation en combustible (flexibles, canalisations) et leurs accouplements respectifs devraient être vérifiés (étanchéité, usure) et changés si nécessaire.
- Vérifier toutes les connexions électriques et les cables, et les remplacer si nécessaire.
- Vérifier le filtre gaz, le cas échéant le nettoyer ou le remplacer.
- Nettoyer la turbine et le carter, et vérifier qu'ils ne sont pas endommagés.
- Vérifier et nettoyer la tête de combustion.
- Vérifier les électrodes, les régler ou les remplacer si nécessaire.

- Démarrer le brûleur, vérifier la combustion, et corriger les réglages du brûleur si nécessaire.
- Vérifier le manostat d'air et le manostat gaz.
- Vérifier l'aptitude au réglage de la rampe gaz.
- Contrôler le fonctionnement.

Maintenance - Problèmes possibles

Causes et élimination des anomalies

En présence d'anomalies, es conditions de fonctionnement normal doivent être vérifiées:

1. Y a-t-il du courant?
2. Y a-t-il de la pression de gaz?
3. Est-ce que le robinet d'arrêt du gaz est ouvert ?
4. Tous les appareils de régulation et de sécurité tels que thermostat de chaudière, protection contre le manque d'eau, interrupteur de fin de course, sont-ils réglés?

Au cas où, après je contrôle des points susdits, l'anomalie persistait, employer le suivant tableau.

Les composantes de sécurité ne doivent pas être réparés, mais plutôt ils doivent être substitué avec des composantes rapportant le même code articule.

Utiliser exclusivement des pièces

derechange d'origine.

NB: Après toute intervention contrôler:

- es valeurs de combustion en conditions de exercice (porte de la locale chaudière éclose, couverture montée, etc).
- enregistrer les valeurs de combustion dans le livret de central.

Maintenance

Contrôle annuel

Le contrôle périodique du brûleur (tête de combustion, électrodes, etc.) doit être effectué, par un technicien autorisé, une ou deux fois par an, suivant l'utilisation. Avant de procéder au contrôle pour la maintenance du brûleur, il est souhaitable de contrôler l'état général du brûleur et d'effectuer les opérations suivantes:

- Débrancher le brûleur (enlever la prise).
- Fermer le robinet d'arrivée du gaz.
- Enlever le couvercle du brûleur, nettoyer le ventilateur et l'aspiration de l'air.
- Nettoyer la tête de combustion et contrôler la position des électrodes.
- Remonter les pièces.
- Contrôler l'étanchéité des raccords gaz.
- Contrôler la cheminée.
- Faire redémarrer le brûleur.
- Contrôler les paramètres de la combustion.

Avant chaque intervention contrôler:

- Qu'il y ait du courant électrique dans l'installation et que le brûleur soit branché.
- Que la pression du gaz soit correcte et que le robinet d'arrivée du gaz soit ouvert.
- Que les systèmes de contrôle soient branchés correctement.
- Si toutes ces conditions sont accomplies, faire démarrer le brûleur en appuyant sur

- le bouton de déblocage.
- Contrôle le cycle du brûleur.

Le brûleur ne démarre pas:

- Contrôler l'interrupteur, les thermostats, le moteur, la pression du gaz.

Le brûleur effectue le prebalayage et se bloque a la fin du cycle:

- Contrôler la pression de l'air et le ventilateur.
- Contrôler le pressostat de l'air.

Le brûleur effectue le prebalayage et ne s'allume pas :

- Contrôler le montage et la position des électrodes.
- Contrôler le câble d'allumage.
- Contrôler le transformateur d'allumage.
- Contrôler le coffret de sécurité.

Le brûleur s'allume et se bloque apres le temps de sécurité:

- Contrôler que la phase et le neutre soient branchés correctement.
- Contrôler l'électrovanne du gaz.
- Contrôler la position de l'électrode de détection et son branchement.
- Contrôler l'électrode de détection.
- Contrôler le dispositif de sécurité.

Le brûleur s'allume et se bloque apres quelques minutes de fonctionnement :

- Contrôler le régulateur de pression et le

- filtre du gaz.
- Contrôler la pression du gaz avec un manomètre.
- Contrôler la valeur de détection (3 µA min.).

Tableau des codes de dérangement

Code de clignotement (LED)	«AL» sur borne 10	Cause possible
clignote 2 fois	EN	Pas de formation de flamme à la fin de "TSA" - Défaut ou encrassement vannes de combustible - sonde de flamme défectueuse ou encrassée - mauvais réglage du brûleur, pas de combustible - dispositif d'allumage défectueux
clignote 3 fois	EN	Erreur «LP» - Chute de pression d'air à l'issue de «t10», - «LP» collé en position de repos
clignote 4 fois	EN	lumière parasite au démarrage du brûleur
clignote 5 fois	EN	Surveillance du temps «Pressostat air» - «LP» collé en position travail
clignote 6 fois	EN	Libérée
clignote 7 fois	EN	Disparition de flamme trop fréquente en cours de fonctionnement (limitation des répétitions) - Défaut ou encrassement des vannes de combustible - Défaut ou encrassement de sonde de flamme - Mauvais réglage du brûleur
clignote 8 fois	EN	Libéré
clignote 9 fois	EN	Libéré
clignote 10 fois	Hors	Erreur de câblage ou défaut interne, contacts de sortie, autres défauts
clignote 14 fois	EN	Le contact CPI n'est pas fermé

Contenidos generales - índice - advertencias generales

Descripción	Datos técnicos	3
	Ámbito de funcionamiento	4
	Dimensiones	5
Contenidos generales	índice	36
	Advertencias generales	36
	Descripción del quemador	37
Función	Funciones generales de seguridad	38
	Equipo control llama y de seguridad SIEMENS	39
Instalación	Montaje del quemador	40
	Conexión eléctrica	41
	Comprobaciones previas a la puesta en servicio	41
Puesta en servicio	Ajuste del quemador	42
	Ajuste de los presostatos de aire y gas	43
Mantenimiento	Conservación	44
	Posibles inconvenientes	45
Descripción	Diagramas de pérdida de presión	66-75
	Esquemas eléctrico	76-77
	Piezas de recambio	78-83
Contenidos generales	Declaración de conformidad	84

Advertencia

Los quemadores BLU se han concebido para la combustión de gas natural y de gas propano con bajas emisiones contaminantes. Los quemadores cumplen la norma EN 676. La instalación, la puesta en marcha y el mantenimiento deben ser realizados exclusivamente por técnicos instaladores autorizados siguiendo las directivas y recomendaciones vigentes.

Descripción del quemador

Los quemadores BLU PR son aparatos monobloque progresivo y con un funcionamiento completamente automático. La geometría del cabezal de combustión permite obtener niveles bajos de NOx y de gases no quemados, maximizando el rendimiento del generador. Las emisiones pueden ser diferentes de aquellas obtenidas en el laboratorio de prueba ya que dependen mucho del generador en el cual el quemador está instalado.

El instalador debe respetar las normativas vigentes. Por ejemplo, se deben evitar locales con atmósferas peligrosas y no ventiladas.

No quedan cubiertos por la garantía los daños resultantes de las siguientes causas:

- uso inadecuado.
- montaje defectuoso, instalación realizada por el comprador o un tercero, uso de piezas no originales.

Entrega de la instalación y consejos de uso

El instalador del sistema debe facilitar al usuario de la misma, como muy tarde en el momento de la entrega, las instrucciones de uso y mantenimiento. éstas deben conservarse en un lugar bien visible de la sala de calderas. Deben contener la dirección y número de teléfono del servicio de atención al cliente

más cercano.

Advertencia para el operador

Al menos una vez al año, un técnico especialista deberá revisar la instalación. Para garantizar que dicha revisión se realice de una manera regular, es muy recomendable suscribir un contrato de mantenimiento.

Los quemadores Ecoflam se han diseñado y construido de acuerdo con las normativas y directivas corrientes. Todos los quemadores responden a las normativas sobre la seguridad y sobre el ahorro energético en el límite del campo de trabajo declarado. La calidad del producto está garantizada por el sistema de certificación según la norma ISO 9001:2008.



Contenidos generales - Descripción del quemador

BLU 1200.1 LN PR TC

NOMBRE

BLU

MODELO

BLU 1200.1

EMISIONES

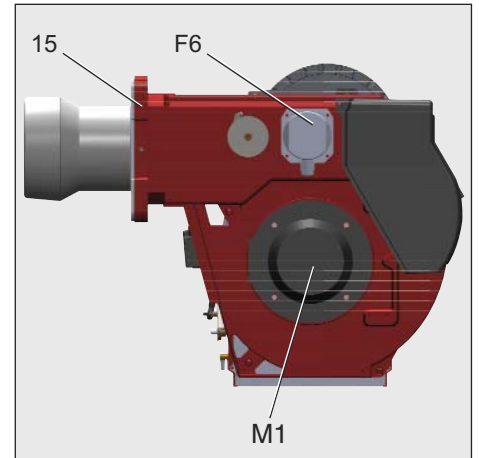
LN Low NOx Clase 3 GAS EN676 (≤ 80 mg/kWh)
 - Standard Clase 2 GAS EN676 (≤ 120 mg/kWh)

TIPO DE OPERACIÓN

PAB 2 llama
 PR 2 llama progresiva mecánico
 PRE 2 llama progresiva electrónico

TIPO DE CABEZA

TC Cabeza corta
 TL Cabeza larga

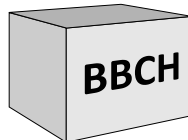


- A1 SIEMENS cajetín de control y de seguridad gas
- F6 Presostat de aire
- M1 Motor eléctrico
- T1 Transformador
- 5 Fusión
- 8 Tubo de llama
- 15 Brida del quemador
- 16 Botón de desbloqueo
- 103B Regulación del aire
- 113 Toma de aire

Embalaje

El quemador se entrega con un sistema modular de embalaje (cajas separadas) es decir, separadas set/box: **BBCH**: Quemador completo con cabezal de combustión y brida.

- 1 bolsa :
 - manual técnico multilingüe.
 - llave hexagonal.
 - tornillo, tuercas y arandelas.

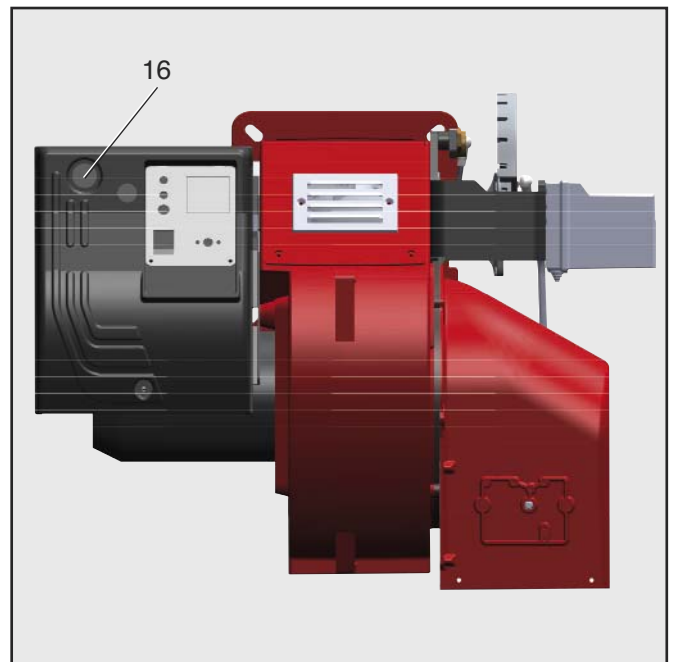
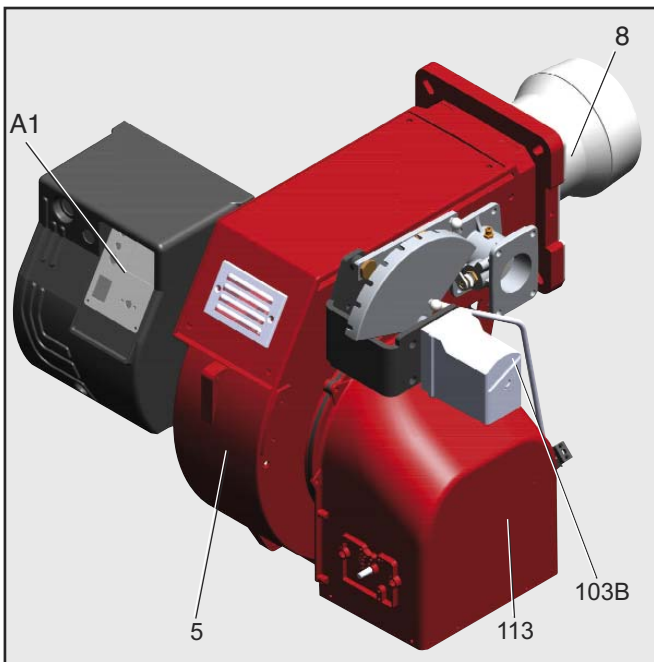


KIT & ACS disponibles y entregados por separado



GT: Rampa de gas por separado.

KIT & ACS disponibles y entregados por separado.



Función - Funciones generales de seguridad

Descripción del funcionamiento

Durante la primera activación, tras un corte de tensión o en caso de parada de seguridad tras una interrupción del suministro de gas o tras una parada de 24 horas, comienza un tiempo de preventilación de 30 s.

Durante el tiempo de preventilación:

- se vigila la presión de aire inyectado.
- control de la presencia de eventuales señales de llama anómalas.

Transcurrido el tiempo de preventilación

- el encendido entra en el circuito.
- la electroválvula principal y de seguridad está abierta.
- arranque del quemador.

Vigilancia

La llama se vigila por medio de una sonda de ionización. La sonda se monta, de manera que quede aislada, en el cabezal de gas y pasa a través del deflector a la zona de llama. La sonda no debe estar en contacto eléctrico con piezas que tengan

toma de tierra.

Si se produce un cortocircuito entre la sonda y la masa del quemador, el quemador indicará un fallo.

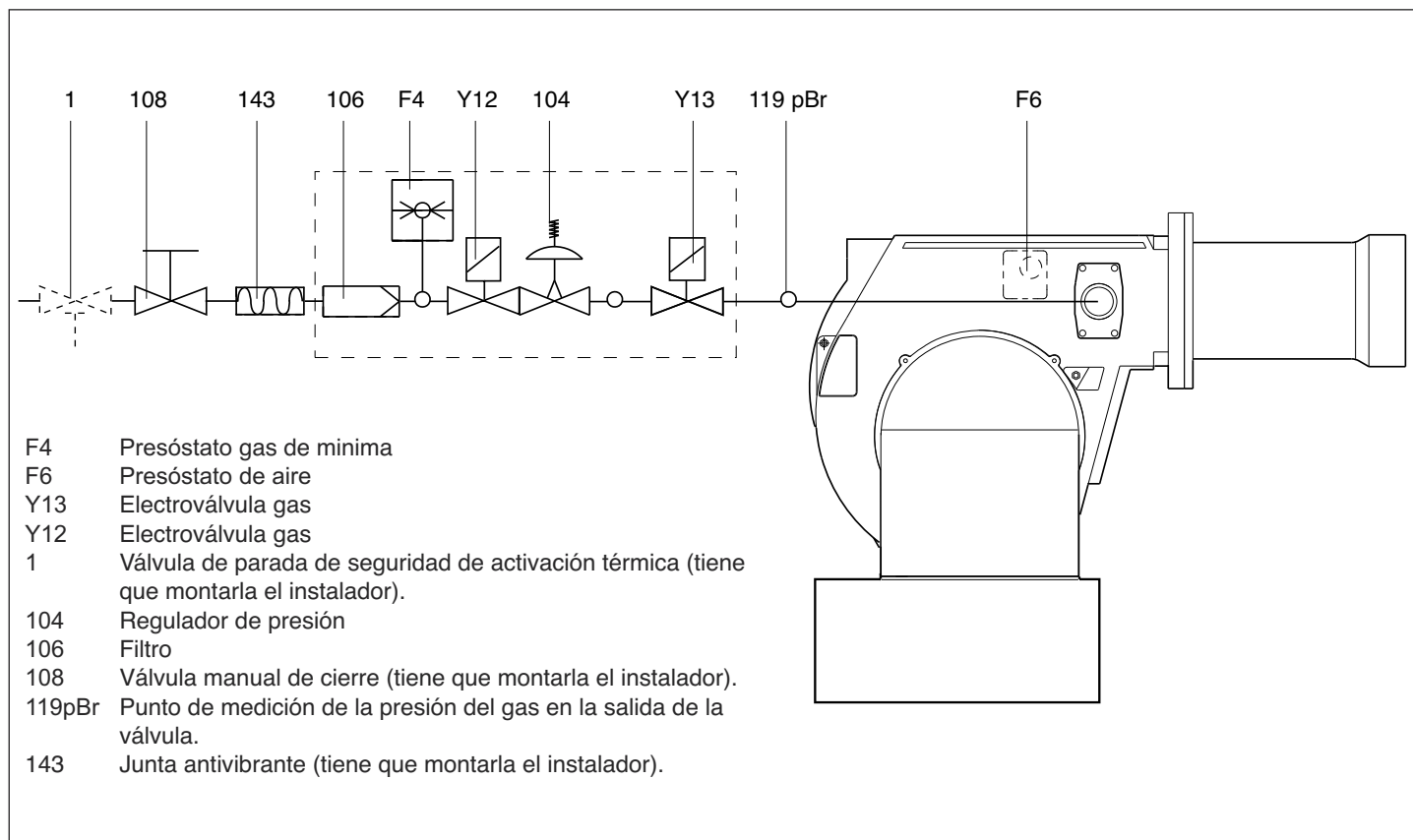
Durante el funcionamiento se crea una zona ionizada en la llama de gas. Por esta zona circula una corriente rectificadora hacia el extremo del quemador.

Funciones de seguridad

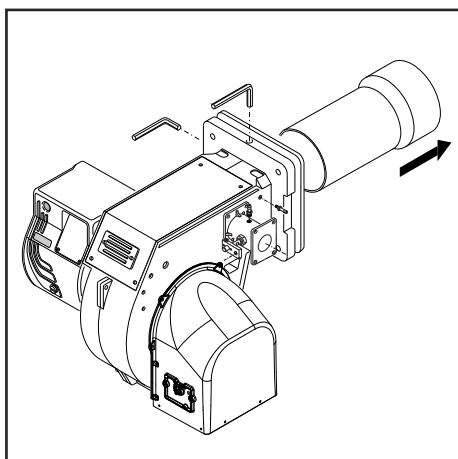
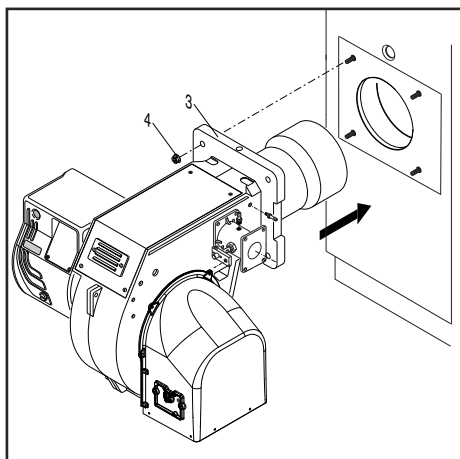
- Si no se produce llama al arrancar el quemador (salida de gas), el quemador se interrumpirá transcurrido el tiempo de seguridad y la válvula de seguridad se cierra.
- En caso de fallar la llama durante el funcionamiento, la alimentación de gas se interrumpe y la equipo control llama y de seguridad pasa al bloque.
- En caso de falta de aire durante la preventilación o el funcionamiento, y la equipo control llama y de seguridad pasa al bloque.
- En caso de falta de gas, el quemador no se pondrá en marcha o se detendrá.

Parada de ajuste

- El termostato de regulación interrumpe la solicitud de calor.
- Las válvulas de gas se cierran.
- La llama se apaga.
- El motor de ventilación se detiene.
- El quemador está listo para funcionar.



Instalación - Montaje del quemador



Montaje del quemador

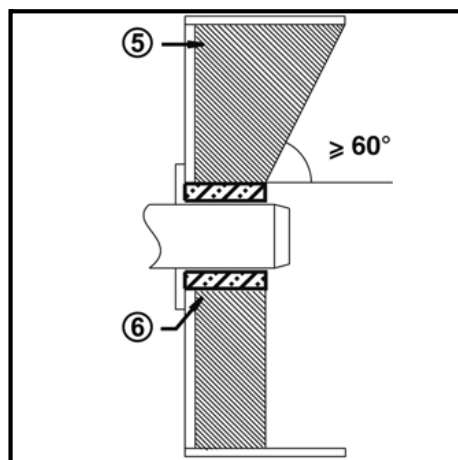
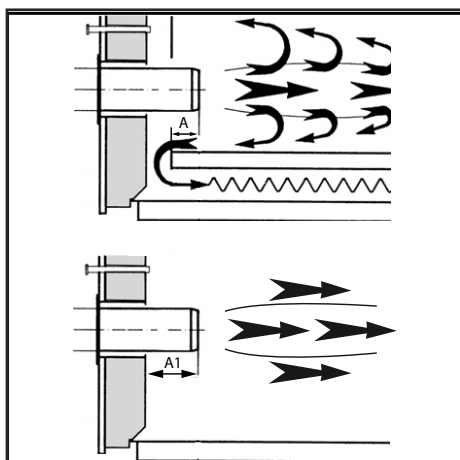
El quemador se fija a la caldera.

Montaje :

- Fijar la brida de encaje 3 a la caldera con los tornillos 4.

Desmontaje :

- Afloje los tornillos y retire el quemador.



Profundidad de montaje del tubo del quemador y guarnecido de albañilería

Para los generadores sin pared delantera enfriada y en ausencia de indicaciones contrarias del fabricante de la caldera, es necesario realizar un guarnecido de albañilería o un aislamiento (5) según la ilustración contigua. El guarnecido de albañilería no debe sobresalir del borde delantero del tubo de llama y su conicidad no debe ser superior a 60°. El hueco de aire (6) debe rellenarse con un material de aislamiento elástico y no inflamable.

Para los calderas se debe respetar la profundidad de penetración del tubo de llama teniendo en cuenta las indicaciones del fabricante de la caldera.

Calderas con combustión inversa :

A = 50-100 mm.

Calderas en tres pasos :

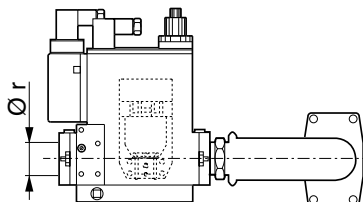
A1 = 50-100 mm.

Línea alimentación del gas

En la instalación de la línea de alimentación y de la rampa del gas es necesario cumplir con las disposiciones de la EN676. El instalador tendrá que ocuparse de montar ulteriores accesorios para satisfacer eventuales normativas locales.

Disposiciones de tipo general para la conexión del gas

- La conexión de la rampa del gas a la red del gas tiene que efectuarla exclusivamente un técnico experto autorizado.
- La sección del tubo del gas tiene que prepararse de manera que la presión de alimentación del gas no pueda disminuir por debajo del valor establecido.
- Se tiene que montar al inicio de la rampa del gas una válvula de cierre manual (no suministrada).



Conducto de humo

Con el fin de evitar posibles emisiones acústicas desagradables, se recomienda evitar las piezas de conexión con ángulos rectos durante la conexión de la caldera a la chimenea.

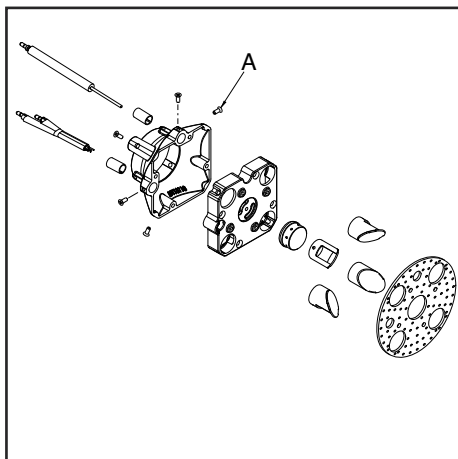
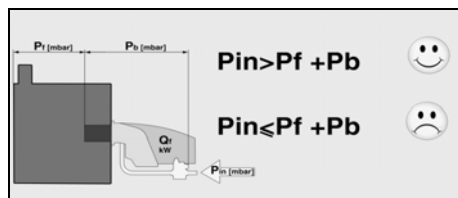
CONVERSIÓN DE GPL

KITLPG	
KITLPG-BLU700.1	3124488
KITLPG-BLU1000.1-1500.1	3124489

LEYENDA

Pf: Controresión en cámara de combustión
Pb: Presión gas quemador (cabeza de combustión + rampa de gas).

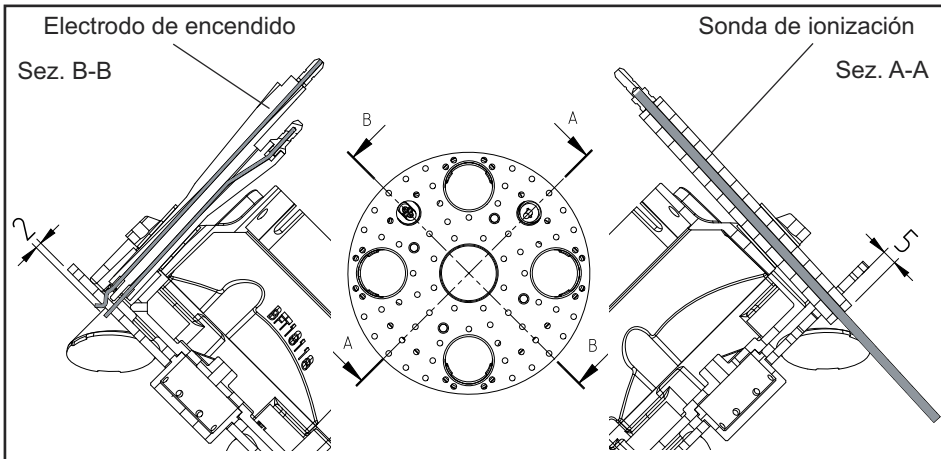
Pin: Presión mínima de suministro



Para transformar el quemador de metano a GPL seguir las siguientes instrucciones;

- Desmontar el tubo llama.
- Sustituir los 4 difusores por los de GPL actuando sobre el tornillo A.
- Desmontar el disco.
- Sustituir el inyector por el de GPL.
- Montar correctamente el disco.
- Sustituir el tubo llama por el de GPL (no para la versión LN).

Instalación - Conexión eléctrica - Comprobaciones previas a la puesta en servicio



Posición del electrodo

Comprobar siempre la posición de los electrodos tras su sustitución o el montaje del KIT LPG. Una posición errónea puede provocar problemas de encendido o detección.

Controles antes de la puesta en marcha

Conviene controlar los siguientes puntos antes de la puesta en servicio.

- Montaje del quemador de conformidad con las presentes instrucciones.
- Ajuste previo del quemador según las indicaciones del cuadro de ajuste.
- Ajuste de los dispositivos de combustión.
- El generador de calor debe estar listo para funcionar; deben respetarse sus recomendaciones de utilización.
- Todas las conexiones eléctricas deben realizarse correctamente.
- El generador de calor y el sistema de calefacción deben estar lo suficientemente llenos de agua; las bombas de circulación deben funcionar.
- El regulador de temperatura, el regulador de presión, la protección contra la falta de agua y el resto de dispositivos de limitación y de seguridad que puedan encontrarse presentes están conectados y operativos.
- La chimenea debe estar despejada y el dispositivo de aire adicional, si se encuentra instalado, en funcionamiento.
- Se debe garantizar un aporte suficiente de aire fresco.
- La solicitud de calor debe estar presente.
- Tiene que estar disponible una presión de gas suficiente.
- Los conductos de combustible deben estar montados según las reglas del oficio, su estanqueidad comprobada y estar purgados.
- Debe existir un punto de medición conforme a las normas; el conducto de humos hasta el punto de medición debe ser estanco, de tal forma que los resultados de medición no se falseen.

Conexión eléctrica

La instalación eléctrica y los trabajos de conexión debe realizarlos exclusivamente por personal autorizado. Deben seguirse las recomendaciones y las directivas vigentes. El equipo de alimentación tiene que disponer de un interruptor diferencial de tipo A.

Respetar obligatoriamente las disposiciones y las directivas en vigor, además del esquema eléctrico suministrado con el quemador!

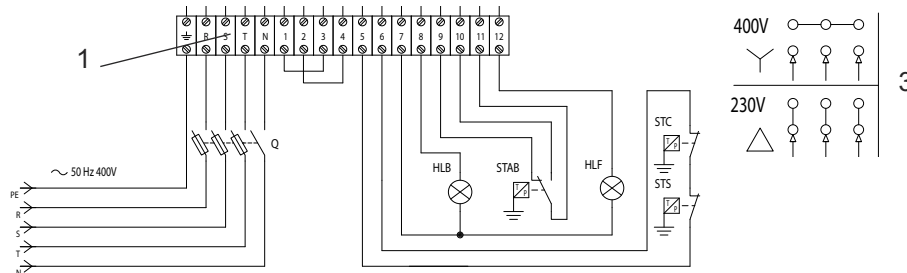
- Asegurarse que el aparato posea una conexión a tierra eficiente.
- Asegurarse que el conductor a tierra del cable de alimentación sea un par de cm más largo que los otros.
- Compruebe si la tensión eléctrica de alimentación se corresponde con la tensión de funcionamiento indicada en el esquema eléctrico y en la placa de características.
- Fusible del quemador : 5 A

Conexión eléctrica mediante conectores

El quemador debe poder desconectarse de la red por medio de un dispositivo de corte unipolar acorde con la normativa vigente. El quemador y el generador de calor (caldera) están conectados entre sí por medio de una conexión a la regleta de bornes del panel (fig. 1).

Conexión de la rampa del gas

Efectuar la conexión de la rampa del gas



con las tomas situadas en el quemador.

La configuración estándar de los motores es trifásica 400 V.

Los quemadores con motores eléctricos de potencia inferior o igual a 7,5 kW pueden ser adaptados para la alimentación de 220-230 V (ver instrucciones en el reverso); para motores de potencias superiores, solamente se admite la alimentación trifásica a 380-400 V. Si se necesita un quemador con alimentación a 220 V, mencionarlo específicamente en el pedido.

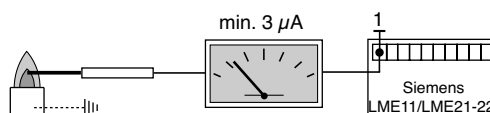
Instrucciones para la alimentación eléctrica a 220-230 V de motores de 7,5 kW o menos

Los quemadores Ecoflam con motores de 7,5 kW o menos pueden ser adaptados para ser conectados a una alimentación eléctrica de 220-230 V; para ello, proceder de la manera siguiente:

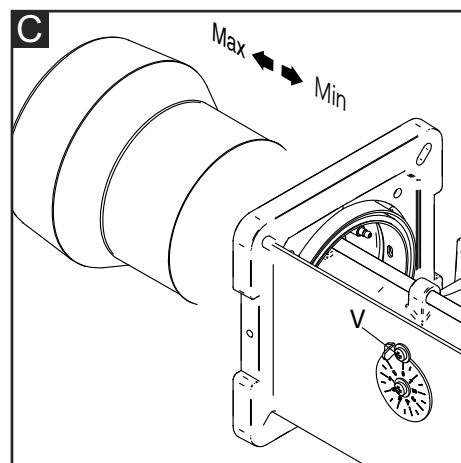
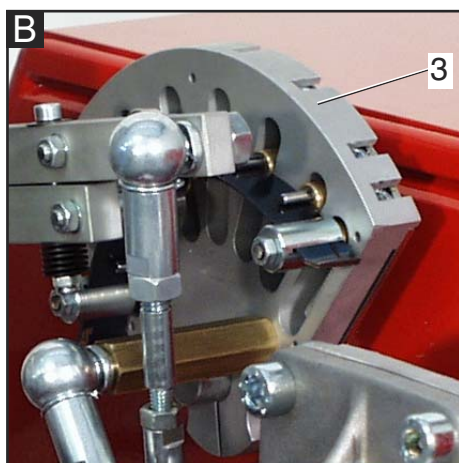
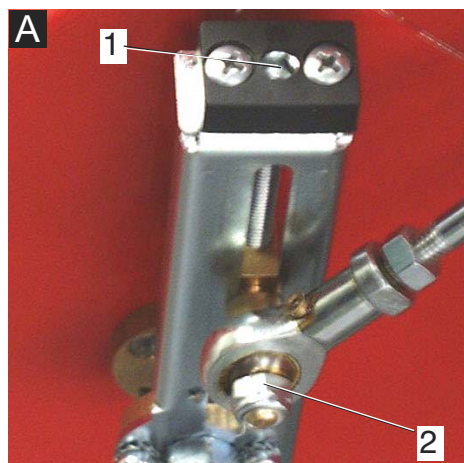
1. cambiar la conexión dentro de la caja de alimentación del motor eléctrico, de estrella a delta (ver figura 3);
2. cambiar el ajuste del relé térmico, tomando como referencia los valores de absorción indicados en la placa de datos del motor. De ser necesario, reemplazar el relé térmico con otro de escala adecuada. Esto no es posible con motores de más de 7,5 kW. Para más información, póngase en contacto con su persona de referencia en Ecoflam.

Medición de la corriente de ionización

Con el quemador apagado, conectar un microamperómetro en corriente continua. Con el quemador funcionando y debidamente regulado, el valor leído debe ser estable y nunca inferior a 3 μ A.



Puesta en servicio - Ajuste del quemador



Nota: la regulación del quemador debe realizarse siempre con la ayuda del instrumento de análisis de la combustión.

Regulación de la mariposa del gas: intervenir en la lámina guía utilizando el tornillo 3.

Regulación de la persiana aire: palanca (A).

Regulación de la presión del gas: ver la rampa gas.

El quemador es suministrado con el cabezal de combustión y la persiana aire regulados en posición intermedia.

- Encender el quemador y mantenerlo en la potencia mínima usando el conmutador del panel de mando.
- Controlar la combustión y regularla cambiando el caudal de gas usando la llave Allen.
- Mediante el conmutador, aumentar la potencia en los siguientes pasos deteniéndose en cada uno de éstos para regular incluso de forma aproximada el caudal del gas.
- Si la potencia máxima se alcanza antes de llegar a la plena apertura de la mariposa gas y persiana aire, desplazar el cabezal de combustión hacia la posición de mínima potencia y reducir la presión en salida de la válvula y simultáneamente aumentar tanto la apertura de la persiana como de la mariposa gas.
- Si la potencia no se alcanza con la plena apertura del servomando, aumentar el caudal de aire primero por medio de la persiana aire y luego mediante el desplazamiento del cabezal hacia la posición de máxima llama; además, aumentar la presión del gas usando la rampa gas.

A partir de aquí el quemador es regulado a la potencia requerida con persiana aire y mariposa de gas con la máxima apertura. Siempre controlando los parámetros de combustión.

Se desciende progresivamente hacia la

mínima potencia utilizando el selector y deteniéndose en los puntos intermedios para controlar la combustión.

La potencia mínima se puede modificar por medio de la regulación de la relativa leva del servomando.

Reglaje de la cabeza de combustión(C).

- Aflojar el tornillo de fijación de la palanca V.
- Mover la palanca hasta conseguir la posición que se necesita.
- Al fin atornillar el tornillo V.

Ajuste de la válvula del gas

Regular las válvulas del gas según las instrucciones del manual de la rampa del gas.

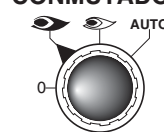
Servomotor SQN 72 4A4A20

Remover la tapa para acceder a las levas de regulación. La regulación de las levas tiene que ser efectuada con su apropiada llave de suministro. Descripción:

- I - Leva de regulación (Rojo) apertura del cierre del aire en potencia máx.
- II - Leva de regulación (Azul) de la posición del cierre al apagado (cierre).
- III- Leva de regulación (Naranja) de I a posición de apertura en 1a llama (potencia mín.).
- IV- No utilizar (Negro).

(5): BOTÓN DE DESBLOQUEO MANUAL

CONMUTADOR

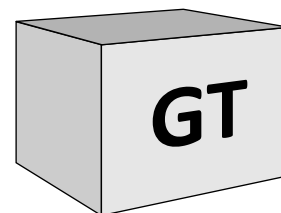


0 = bloqueo de los equipos para funcionamiento en una posición intermedia

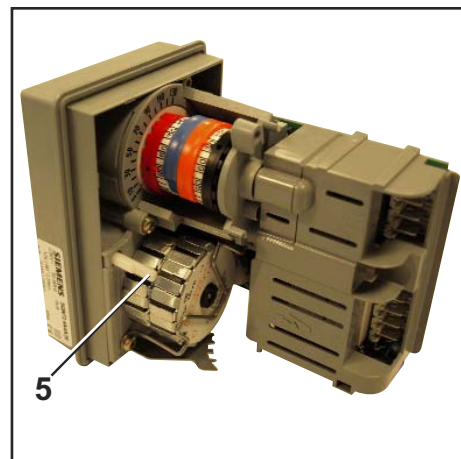
👁️ = funcionamiento a la potencia máxima

👁️ = funcionamiento a la potencia mínima

AUTO = funcionamiento automático



Atención: en caso de instalación sobre caldera, respetar la temperatura mínima de los gases de combustión según las indicaciones del fabricante de la caldera y según los requisitos del sistema de escape de dichos gases, para evitar la formación de condensación.



Existe riesgo de deflagración:

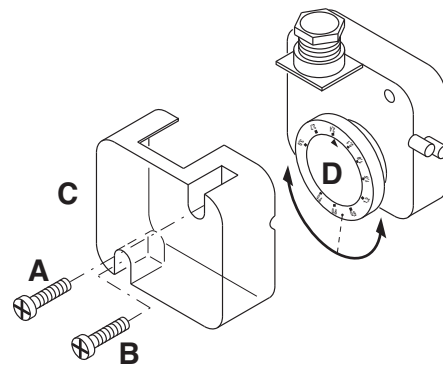
controle constantemente el CO, el CO2 y las emisiones de humo durante el ajuste. En caso de formación de CO, optimice los valores de combustión. El contenido de CO no debe ser superior a 50 ppm.

Puesta en servicio - Regulación de presóstati aire y gas

Regulación del presóstato aire

El presóstato aire controla la presión de ventilación de aire. Destornillar los tornillos A y B y quitar la tapa C.

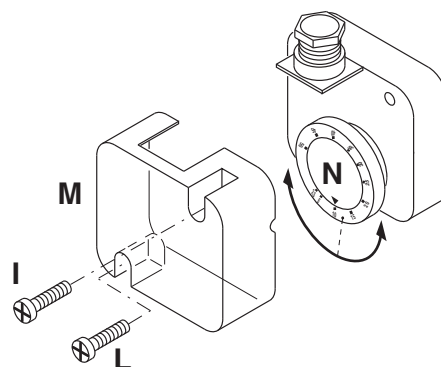
- Ajuste la combustión con el presostato aire al mínimo.
- Obstruya la aspiración del aire con un cartón prestando atención a los valores de O₂ y CO del analizador.
- Aumente progresivamente el cierre del paisaje de aire hasta que el valor del CO esté ligeramente por encima de 1000 ppm. Detenga el cartón en esta posición.
- Aumente el calibrado del presostato aire asta el bloque del quemador.
- Ahora el presostato está calibrado para evitar la producción de CO.
- Quite el cartón y vuelva a montar la tapa C.



Regulación del presóstato gas de mínima

El presóstato gas de mínima tiene la función de verificar que la presión de gas antes de la rampa de gas tenga la mínima presión para asegurar que el quemador funcione correctamente.

Destornillar los tornillos I y L y quitar la tapa M. Posicionar el regulador N a un valor igual al 60% de la presión nominal de alimentación el gas (ej. para gas nat. con pres. nom. de alim. de 20 mbar, regulador regulado al valor de 12 mbar; para G.P.L. con pres. nom. de alim. G30-G31 30/37 mbar, regulador regulado al valor 18 mbar). Remontar la tapa M y atornillar los tornillos I y L.



Control de funcionamiento

Es necesario efectuar un control de seguridad del seguimiento de la llama, tanto con motivo de la primera puesta en función como tras haber efectuado una revisión o tras un largo periodo de inactividad del equipo.

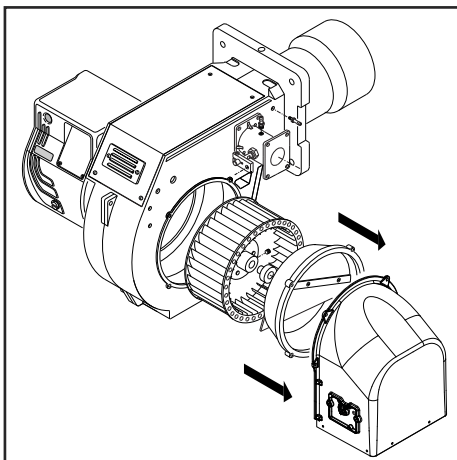
- Prueba de puesta en marcha con el grifo del gas cerrado: el equipo de control tendrá que señalar el no funcionamiento por ausencia de gas o bloquearse al final del tiempo de seguridad.

Mantenimiento - Conservación

Las operaciones de mantenimiento de la caldera debe llevarlas a cabo un técnico especialista en calefacción. Para garantizar la realización anual de los trabajos de mantenimiento, se recomienda firmar un contrato de mantenimiento.

Atención

- Antes de realizar cualquier intervención de mantenimiento y limpieza, cortar el suministro eléctrico.
- La tobera y los componentes del cabezal pueden estar calientes.



Control de las temperaturas de los gases de combustión

- Compruebe con regularidad la temperatura de los gases de combustión.
- Limpie la caldera cuando la temperatura de los gases de combustión supere el valor de puesta en servicio en más de 30 °C.
- Utilice un indicador de temperatura de los gases de combustión para facilitar la comprobación.

Posiciones de mantenimiento

- Todos los componentes de alimentación de combustible (mangueras, canalizaciones) y sus acoplamientos respectivos deben ser comprobados (estanqueidad, desgaste) y cambiados si es preciso.
- Comprobar las conexiones eléctricas y los cables y sustituirlos en caso necesario.
- Comprobar el filtro de gas, limpiarlo o sustituirlo.
- Limpiar la turbina y el cárter y comprobar que no estén deteriorados.
- Comprobar y limpiar la cabeza de combustión.
- Comprobar los electrodos de encendido, ajustarlos o sustituirlos si es necesario.

- Poner en marcha el quemador, comprobar la combustión y corregir los ajustes del quemador si es necesario.
- Comprobar el presóstato de aire y el presóstato de gas.
- Comprobar la aptitud del ajuste de la rampa de gas.
- Realizar una comprobación de funcionamiento.

Mantenimiento - Posibles inconvenientes

Causas y resolución de anomalía

En caso de anomalía se deben comprobar las condiciones de funcionamiento normal:

1. Hay corriente eléctrica?
2. Hay presión de gas?
3. Está abierta la válvula de cierre del gas?
4. Todos los aparatos de regulación y de seguridad, como por ejemplo el termostato de la caldera, el dispositivo de protección contra la falta de agua, el interruptor de fin de carrera, etc. están regulados?

En el caso de que, después de comprobar los puntos arriba, la anomalía persiste, consulte la tabla siguiente.

Los componentes de seguridad no debe ser reparado, pero se debe reemplazados por componentes de la muestra el mismo número de artículo.

Utilice exclusivamente piezas.

NB: Después de cualquier intervención:

- bajo condiciones de funcionamiento normales (las puertas se cerraron, capilla cabida, etc.), la combustión del cheque y comprueba las líneas individuales para saber si hay escapes.
- Registre los resultados en los documentos relevantes.

Mantenimiento

Control anual

El control periódico del quemador (cabeza de combustión, electrodos etc.) tiene que ser efectuado por técnicos autorizados una o dos veces cada año, según la utilización del quemador. Antes de proceder con las operaciones de mantenimiento, es aconsejable comprobar el estado general del quemador actuando de la manera siguiente:

- Desconectar la clavija del quemador de la red.
- Cerrar la válvula de cierre del gas.
- Sacar la tapa del quemador y limpiar ventilador y conducto de aspiración del aire.
- Limpiar la cabeza de combustión y comprobar la posición de los electrodos.
- Remontar el todo.
- Comprobar la estanqueidad de las uniones del gas.
- Comprobar la chimenea.
- Arrancar el quemador y comprobar los parámetros de combustión.

Antes de cada intervención comprobar:

- Que hay corriente en la instalación y que el quemador sea conectado.

- Que la presión del gas sea la correcta y la válvula de cierre esté abierta.
- Que los equipos de control estén debidamente conectados.
- Cuando todas estas condiciones se cumplen, arrancar el quemador presionando el botón de bloqueo y comprobar la secuencia de encendido.

de ionización; comprobar el equipo de control de llama.

- El quemador se enciende normalmente pero se pone en seguridad después unos minutos de funcionamiento: comprobar el regulador de presión y el filtro del gas; controlar la presión del gas; controlar el valor de ionización (mín. 3 µA); comprobar los valores de la combustión.

Breve guía de averías :

- El quemador no arranca: comprobar el interruptor de arranque, los termostatos, el motor, la presión del gas, el equipo de control de estanqueidad (si lo hay).
- El quemador efectúa el prebarrido pero se pone en seguridad al final del ciclo: comprobar la presión del aire, el ventilador y el presostato del aire.
- El quemador efectúa el prebarrido pero no se enciende: comprobar el montaje y la posición de los electrodos, el cable de encendido, el transformador de encendido, el equipo de control llama y las electroválvulas del gas.
- El quemador se enciende pero se pone en seguridad al cumplir del tiempo de seguridad: comprobar que fase y neutro sean conectados correctamente; comprobar posición y conexión de la sonda

Tabla de códigos de error

Código de parpadeo (LED)	«AL» en term. 10	Posible causa
2 parpadeos	Encendido	No establecimiento de llama en el extremo de «TSA» - Válvulas de combustible averiadas o sucias - Detector de llama averiado o sucio - Ajuste pobre del quemador. No hay combustible - Equipamiento de ignición averiado
3 parpadeos	Encendido	«LP» averiado - Pérdida de señal de presión de aire después de «t10» - «LP» se suelda en posición normal
4 parpadeos	Encendido	Luz extraña en el arranque del quemador
5 parpadeos	Encendido	Tiempo muerto «LP» - «LP» se suelda en la posición de trabajo
6 parpadeos	Encendido	Libre
7 parpadeos	Encendido	Demasiadas pérdidas de llama durante la operación (limitación de repeticiones) - Válvulas de combustible averiadas o sucias - Detector de llama averiado o sucio - Ajuste pobre del quemador.
8 parpadeos	Encendido	Libre
9 parpadeos	Encendido	Libre
10 parpadeos	Apagado	Error de cableado o error interno, contactos de salida, otras averías
14 parpadeos	Encendido	Contacto CPI no cerrado

Содержание общего характера - Содержание - Предупреждения общего характера

Обзор	Технические характеристики	3
	Рабочий диапазон	4
	Размеры	5
Содержание общего характера	Содержание	46
	Предупреждения общего характера	46
	Описание горелки	47
Функция	Общие функции безопасности	48
	Блок управления и безопасности SIEMENS	49
Установка	Установка горелки	50
	Электрическое соединение	51
	Необходимые проверки перед пуском в эксплуатацию	51
Ввод в эксплуатацию	Регулировка горелки	52
	Регулировка реле давления воздуха и газа	53
Техническое обслуживание	Работы по техническому обслуживанию	54
	Возможные неполадки	55
Обзор	Диарамма перепада давления газов	66-75
	Электрические схемы	76-77
	Запчасти	78-83
Содержание общего характера	Сертификат соответствия	84

Основные указания

Горелки BLU спроектированы для сжигания природного газа и газа пропан с низким выбросом в атмосферу загрязняющих веществ. Горелки соответствуют норме EN 676. Монтаж, пуск в эксплуатацию и техническое обслуживание должны производиться только квалифицированными техническими специалистами с соблюдением всех действующих директив и предписаний.

Описание горелки

Горелки BLU являются механическими плавно-регулируемыми полностью автоматическими моноблочными устройствами. Форма головки горения позволяет получить низкий уровень выделения NOx и продуктов горения, максимально повышая таким образом КПД теплогенератора. Выделения могут отличаться от значений, полученных в испытательной лаборатории, так как значительно зависят от типа теплогенератора, в котором устанавливается горелка.

Монтаж должен отвечать требованиям действующих нормативов. Например, необходимо избегать помещений с опасной атмосферой или без вентиляции.

Гарантия не распространяется на возмещение ущерба, вызванного следующими причинами:

- ненадлежащее использование
- неправильная установка, установка, выполненная покупателем или третьими лицами, использование неоригинальных элементов.

Передача установки пользователю и рекомендации по эксплуатации

Установщик обязан не позднее момента передачи установки пользователю передать ему инструкции по эксплуатации и техническому обслуживанию установки. Они должны храниться в котельной на видном месте. В них должен быть указан номер

телефона и адрес ближайшего центра технического обслуживания.

Рекомендации пользователю

Не менее одного раза в год оборудование должно проверяться квалифицированным специалистом. Для обеспечения регулярных проверок рекомендуется заключить договор на проведение технического обслуживания.

Горелки производства Ecoflam были разработаны и изготовлены в соответствии с действующими нормативами и директивами. Все горелки соответствуют стандартам безопасности и энергосбережения в пределах заявленного рабочего поля. Качество продукции гарантировано системой сертификации в соответствии с нормой ISO 9001:2008



Содержание общего характера - Описание горелки

BLU 1200.1 LN PR TC

НАЗВАНИЕ

BLU

МОДЕЛЬ

BLU 1200.1

ВЫБРОСЫ

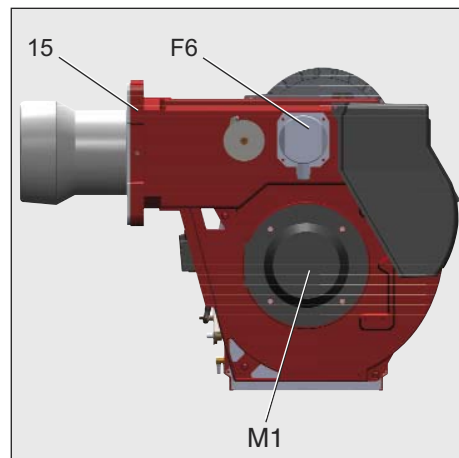
LN Low NOx Класс 3 GAS EN676 (≤ 80 мг/кВтч)
 - Стандарт Класс 2 GAS EN676 (≤ 120 мг/кВтч)

Тип операции

PAB 2 этапы
 PR 2 этапы стадию механического
 PRE 2 этапы прогрессивной электронной

Головка типа

TC КОРОТКАЯ ОГНЕВАЯ ГОЛОВКА
 TL ДЛИННАЯ ОГНЕВАЯ ГОЛОВКА



- A1 SIEMENS Блок управления и безопасностей
- F6 Реле давления воздуха
- M1 Электродвигатель вентилятора
- T1 Устройство розжига
- 5 Соединение (шнек)
- 8 Стакан
- 15 Фланец горелки
- 16 Кнопка разблокировки
- 103B Регулировка подачи воздуха
- 113 Короб воздухозабора

Упаковка

Горелка поставляется с модульной системой упаковки (отдельные коробки) отдельные комплекты/боксы:

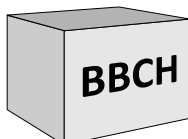
ВВСН: Горелка в комплекте с головкой сгорания и фланцем.

- 1 пакет : - многоязычное техническое руководство.

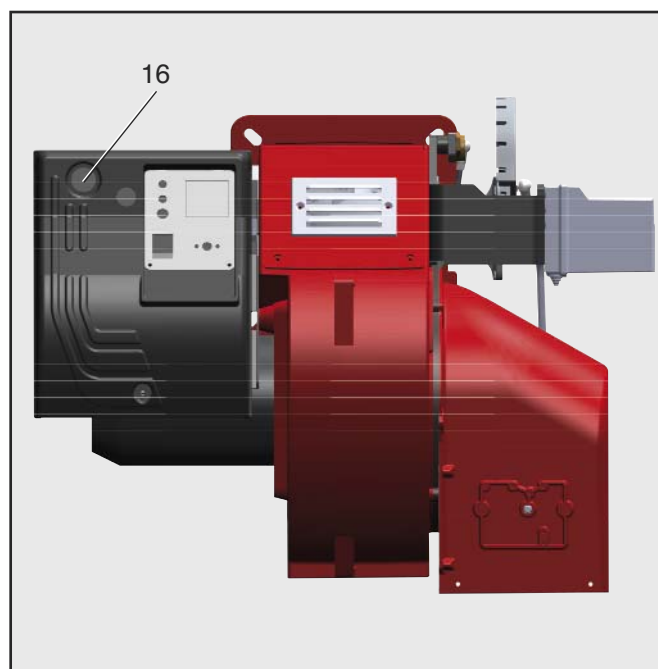
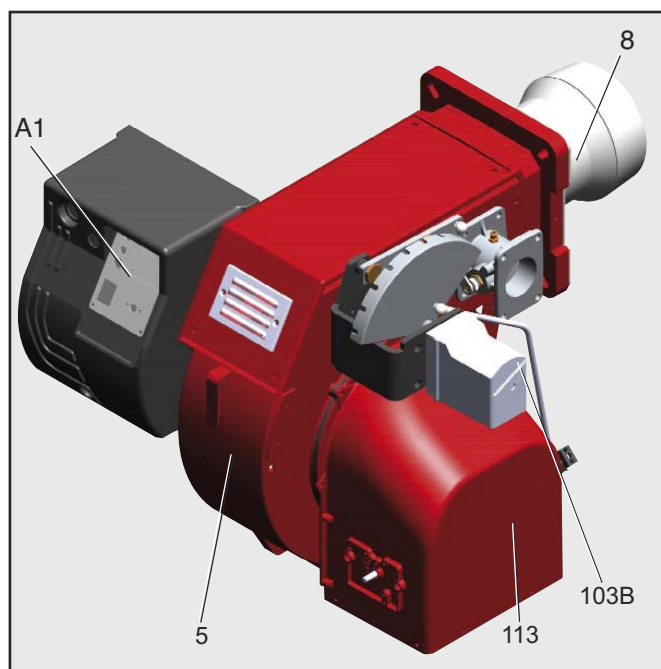
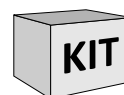
- гаечный ключ.
- винты, гайки и шайбы.

GT: Отдельная газовая рампа.

KIT & ACS заказываемые и поставляемые отдельно



KIT & ACS заказываемые и поставляемые отдельно



Функция - Общие функции безопасности

Описание работы

При первой подаче напряжения, после отключения напряжения или перевода в режим безопасности, после отключения газа или после остановки на 24 часа, начинается время предварительной вентиляции 30 сек.

В течение предварительной вентиляции:

- давление воздуха находится под контролем.
- контроль присутствия возможных аномальных указаний пламени.

После истечения периода предварительной вентиляции

- запускается розжиг.
- главный и предохранительный электромагнитные клапаны открыты.
- пуск горелки.

Контроль

Пламя контролируется ионизационным зондом. Зонд вместе с изоляцией встроен в газовую головку и проходит через дефлектор в зону пламени. Зонд

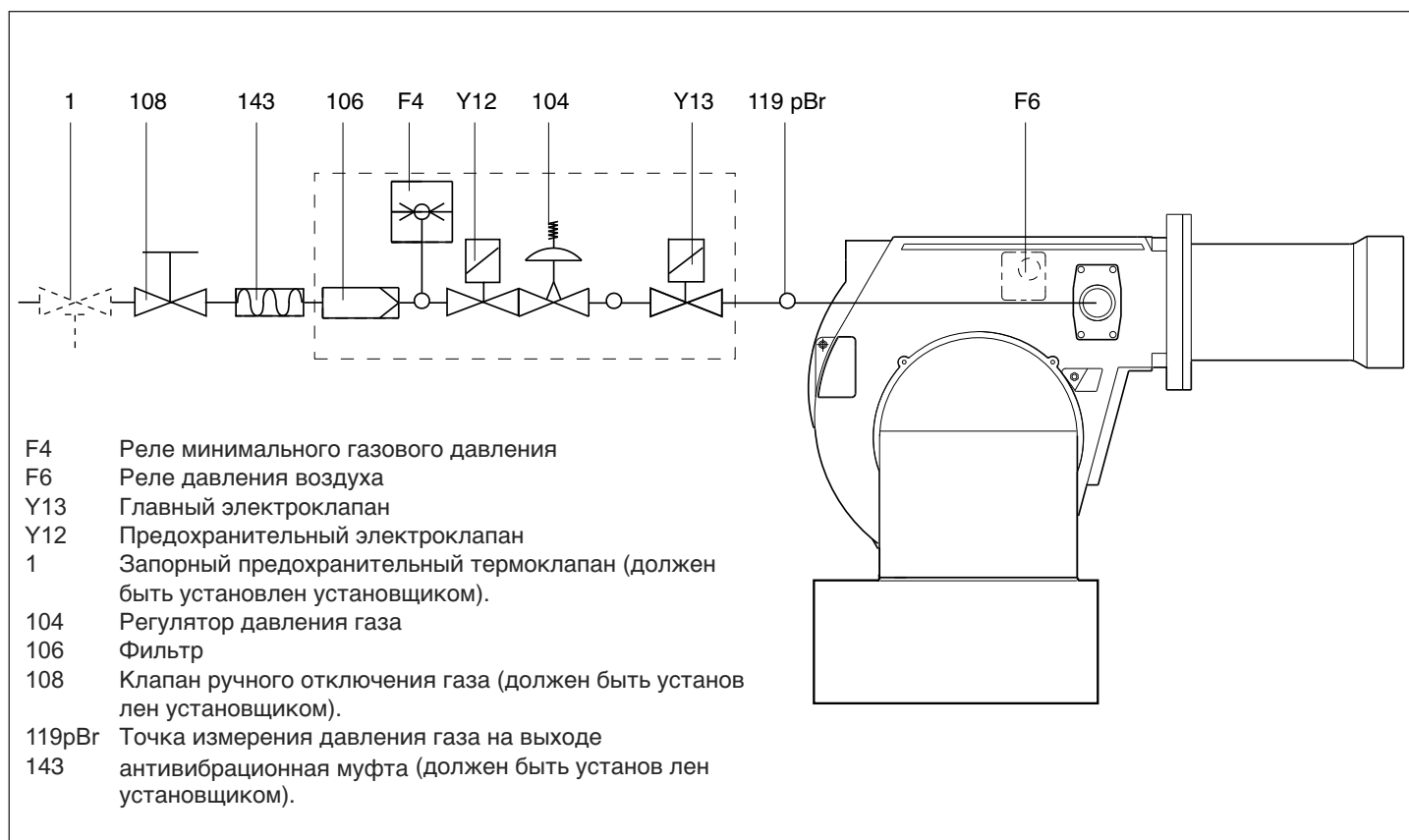
не должен иметь электрический контакт с заземленными деталями. В случае короткого замыкания между зондом и массой горелки горелка переходит в аварийный режим. При горении в газовом пламени образуется ионизационная зона, эта зона пересекается выпрямленным током, который идет от зонда к соплу горелки.

Режим безопасности

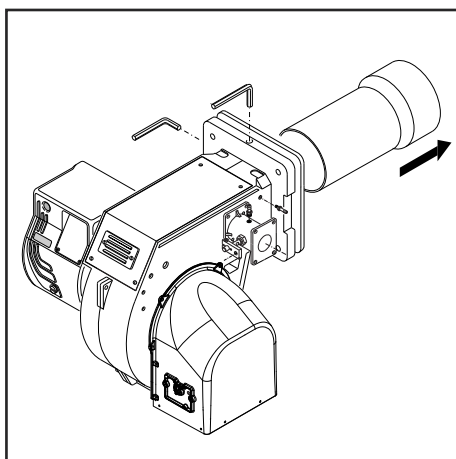
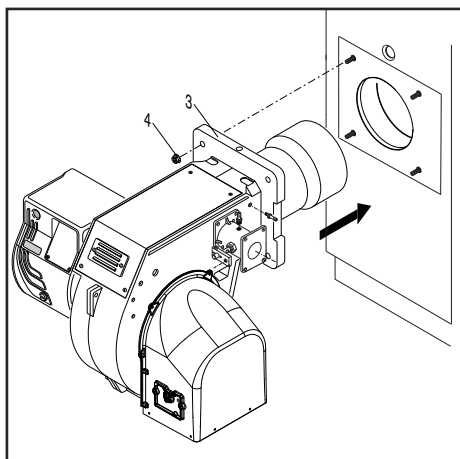
- Если при запуске горелки (пуск газа) не образовалось пламя, то по истечении времени безопасности, газовый клапан закрывается.
- В случае исчезновения пламени во время работы подача газа прекращается.
- В случае нехватки воздуха при предварительной вентиляции или во время работы происходит переход в режим безопасности.
- В случае нехватки газа горелка не включается и/или останавливается.

Остановка регулировки

- Реле регулятора температуры прерывает запрос на нагрев.
- Газовые клапаны закрываются.
- Пламя гаснет.
- Электродвигатель вентилятора останавливается.
- Горелка готова к работе.



Установка - Установка горелки



Монтаж горелки

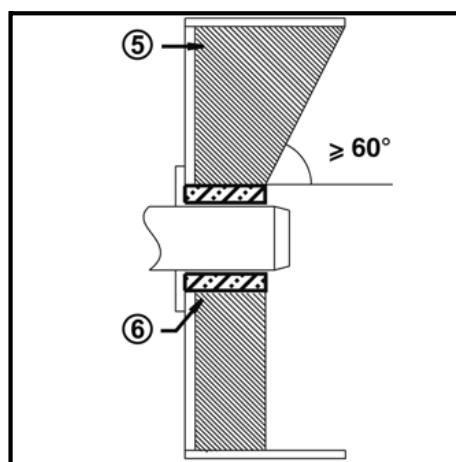
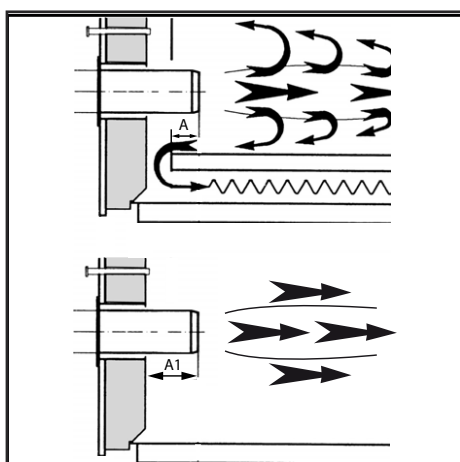
Горелка крепится к котлу.

Монтаж:

- Закрепить фланец креплением 3 к котлу винтами 4.

Демонтаж:

- Ослабьте винты и снимите горелку.



Глубина установки сопла горелки и огнеупорное уплотнение

Для котлов без охлаждения передней стенки и при отсутствии других указаний со стороны производителя котла, необходимо выполнить огнеупорную вставку или теплоизоляцию (5), как показано на рисунке слева.

Огнеупорная вставка должна заходить за передний край сопла горелки, а угол ее конического скоса не должен превышать 60°. Воздушный промежуток (6) должен быть заполнен эластичным и невоспламеняемым теплоизоляционным материалом.

Для котлов при выборе глубины сопла горелки необходимо руководствоваться указаниями производителя котла.

Колонки с обратным пламенем :

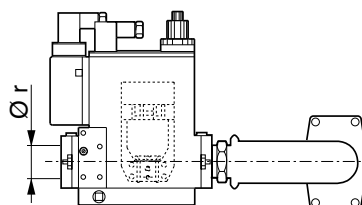
A = 50-100 mm.

Колонки с тройной дымовой спиралью :

A1 = 50-100 mm.

Линия газоснабжения

При установке линии газоснабжения и газовой рампы необходимо соблюдать предписания нормы EN676. Дополнительные принадлежности должны быть установлены установщиком для соблюдения любых местных норм.



Предписания общего порядка для подключения газа

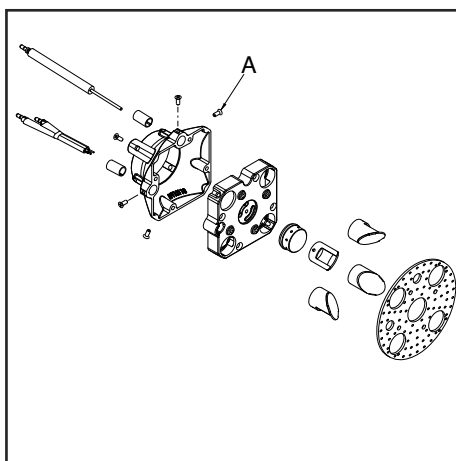
- Подключение газовой рампы к сетевому газу должно исключительно выполняться уполномоченным квалифицированным специалистом.
- Сечение газовых труб должно быть подготовлено таким образом, чтобы давление питания газа не могло опуститься ниже предписанного значения.
- Клапан ручной остановки (не поставляется) должен быть установлен в верхней части газовой рампы.

Система отвода продуктов горения

Для предотвращения неприятного шума не рекомендуется применять для соединения котла с дымоходом соединительные детали с проходным каналом, изогнутым под прямым углом.

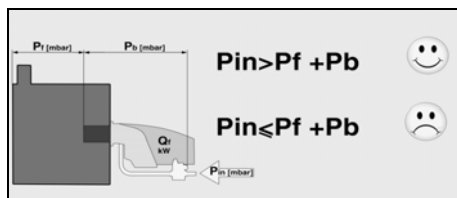
ПРЕОБРАЗОВАНИЕ В СУГ

KITLPG	
KITLPG-BLU700.1	3124488
KITLPG-BLU1000.1-1500.1	3124489



Для перевода горелки с метана на сжиженный газ действуйте следующим образом:

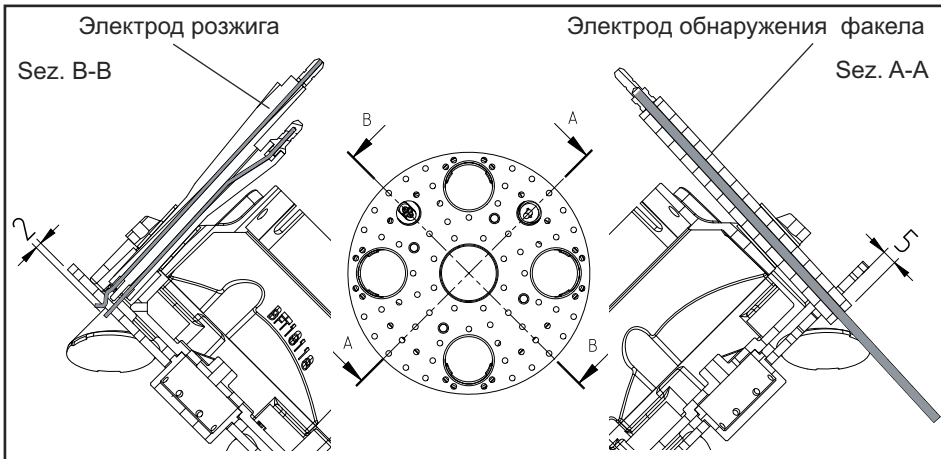
- Демонтировать стакан.
- Вывинтив винты "А", заменить 4 форсунки форсунками для сжиженного газа.
- Демонтировать диск.
- Заменить вставку, вставкой предназначенной для работы на сжиженном газе.
- Установите диск в правильное положение.
- Установить стакан (Не для версии LN).



УСЛОВНЫЕ ОБОЗНАЧЕНИЯ

Pf: Противодавление в топке.
 Pb: Газовое давление горелки (головка сгорания + газовая рампа).
 Pin: Минимальное давление питания.

Установка - Подключение к электросети - Необходимые проверки перед пуском в эксплуатацию



Электроподключение

Электропроводка и все работы по подключению к сети должны выполняться только квалифицированным электриком. Должны выполняться действующие предписания и директивы. Установка электропитания должна быть оснащена дифференциальным выключателем типа А.

Строго соблюдать действующие предписания и директивы, помимо электросхемы, поставляемой с горелкой!

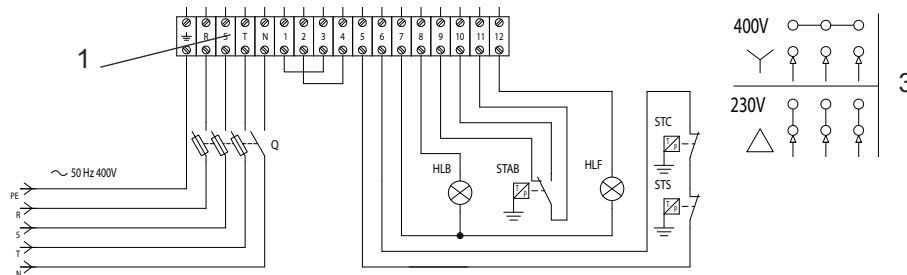
- Проверить, чтобы прибор был подсоединен к исправной системе заземления.
- Проверить, чтобы провод заземления сетевого кабеля был на пару см длиннее других проводов.
- Убедитесь, что напряжение электропитания соответствует указанному рабочему напряжению в электросхеме и табличке с данными.
- Защита горелки : 5 А

Подключение разъемами

Горелка должна быть изолирована от сети с помощью всеполюсного размыкателя, соответствующего действующим стандартам. Горелка и теплогенератор (котел) подключены к клеммной колодке кабинета (рис. 1).

Подключение газовой рампы

Выполните подключение газовой рампы при помощи розеток, установленных на горелке.



Измерение силы тока ионизации

При неработающей горелке подключите амперметр постоянного тока. Если регулировка выполнена правильно, то во время работы горелки сила тока должна быть не ниже 3 мА.

Горелки производятся с соединениями, предназначенными для трехфазного электропитания 400В.

Горелки с электродвигателями мощностью 3 кВт или менее могут быть адаптированы под 220-230В (пожалуйста, следуйте инструкции на обратной стороне); электродвигатели большей мощности могут работать только при трехфазном электропитании 380-400В. Если требуемое исполнение горелки отличается от вышеупомянутого стандарта, рекомендуется сделать отдельное примечание при заказе.

Инструкция: как адаптировать электродвигатели мощностью 3 кВт или менее под электропитание 220-230В

Напряжение горелки можно изменить путем следующих действий:
1. Изменить соединение внутри клеммной коробки двигателя со “звезды” на соединение треугольником (см. рисунок 3);
2. Изменить настройку термореле в соответствии со значениями, указанными на шильдике двигателя. Если необходимо, замените термореле другим, с подходящей шкалой. Вышеуказанные действия невозможны для электродвигателей мощностью выше 3 кВт. Для более подробной информации, пожалуйста, свяжитесь с Ecoflam.

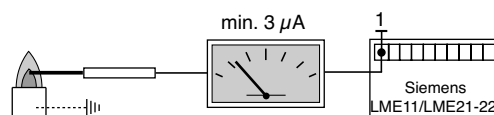
Положение электродов

Обязательно проверьте положение электродов после их замены или установки комплекта KIT GPL. Неправильное положение электродов может затруднить розжиг горелки или выявление.

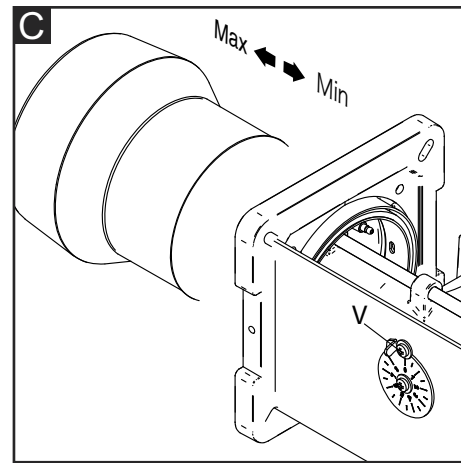
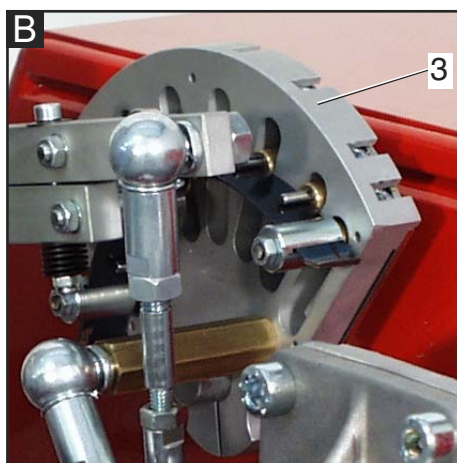
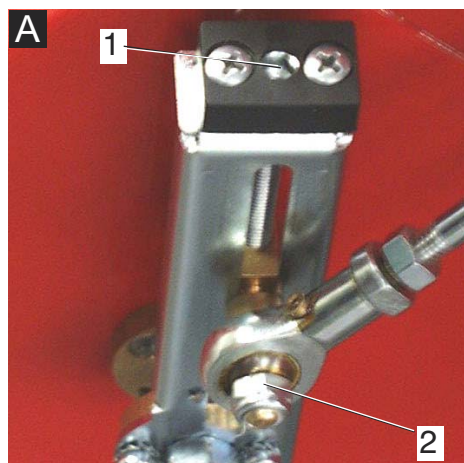
Проверки перед пуском в эксплуатацию

Перед первым запуском следует проверить следующее:

- Убедитесь, что горелка установлена согласно настоящей инструкции.
- Предварительная регулировка горелки выполнена правильно, согласно указанным в таблице регулировок значениям.
- Настройка органов горения
- Теплогенератор должен быть готов к работе согласно инструкции по его использованию.
- Все электрические соединения выполнены правильно.
- Теплогенератор и система отопления заполнены достаточным количеством воды. Циркуляционные насосы действуют.
- Регуляторы температуры давления, устройство защиты от недостатка воды, а также другие предохранительные и защитные устройства, используемые на установке, правильно подсоединены и действуют.
- Вытяжная труба должна быть прочищена. Устройство для подачи дополнительного воздуха, если оно установлено, в рабочем состоянии.
- Гарантирована подача свежего воздуха.
- Получен запрос на тепло.
- Должно быть доступным достаточное давление газа.
- Топливопроводы установлены согласно техническим нормам, прочищены и проверена их герметичность.
- Согласно существующим нормам на вытяжной трубе должна находиться точка измерения. До этого места труба должна быть герметичной для того, чтобы подсос наружного воздуха не повлиял на результаты измерений.



Ввод в эксплуатацию - Регулировка горелки



ПРИМЕЧАНИЕ: регулировка горелки должна всегда производиться при помощи прибора анализа продуктов горения.

Регуляция газового дросселя: повернуть винт 3 на направляющей плате.

Регуляция воздушной заслонки: рычаг (А).

Регуляция давления газа: см. газовая рампа.

Горелка поставляется с головкой горения и воздушной заслонкой, отрегулированными на среднее положение.

- Зажечь горелку и поддерживать ее на минимальной мощности посредством переключателя на консоли управления.
 - Проверить горение и отрегулировать его, изменяя расход газа при помощи фигурного ключа.
 - При помощи переключателя постепенно увеличить мощность, останавливаясь на каждой ступени для регуляции, также приблизительной, расхода газа.
 - Если максимальный расход достигается до полного открытия газового дросселя и воздушной заслонки, сместить головку горения в положение минимальной мощности и сократить давление на выходе из клапанов и одновременно увеличить как открытие заслонки, так и газового дросселя.
 - Если мощность не достигается при полном открытии сервоуправления, увеличить расход воздуха сначала посредством воздушной заслонки, затем посредством смещения головки в положение максимального пламени; кроме того увеличить также давление газа посредством газовой рампы.
- На данном этапе горелка отрегулирована на требуемую мощность с полностью открытыми воздушной заслонкой и газовым дросселем. Всегда контролируйте

параметры горения. Выполните постепенное понижение до минимальной мощности при помощи переключателя и остановитесь на средних положениях для проверки горения.

На данном этапе можно изменить минимальную мощность посредством регуляции соответствующего кулачка сервоуправления.

Регулировка огневой головки (С).

- ослабить крепежный винт рычага V.
- повернуть рычаг до желаемого положения.
- заново затянуть крепежный винт.

Регулировка газового клапана

Отрегулируйте газовые клапаны в соответствии с инструкциями Руководства по эксплуатации газовой рампы.

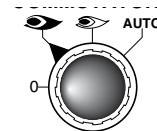
Внимание! Соблюдайте минимальную необходимую температуру дымовых газов, следуя указаниям производителя котла и принимая во внимание тип вытяжных труб, чтобы избежать эффекта конденсации.

Воздушный сервопривод SQN 72 4A4A20

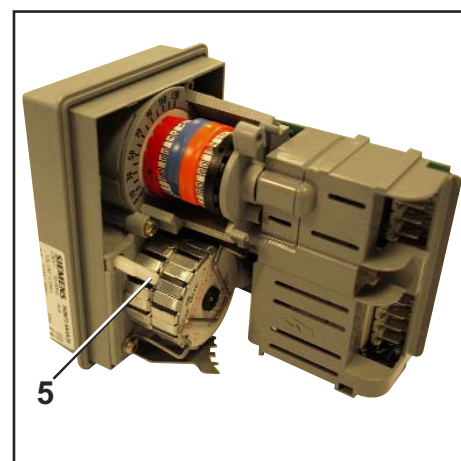
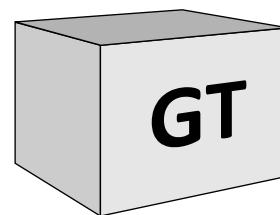
Для доступа к регулировочным кулачкам снять крышку. Регулирование производится входящим в комплект ключом. Описание:

- I - Кулачок (Красный) для регулировки открывания воздушной заслонки на 2-й ступени (макс. мощность).
 - II - Кулачок (Синий) для регулировки положения воздушной заслонки при гашении (закрывание).
 - III - Кулачок (Оранжевый) для регулировки открывания воздушной заслонки на 1-й ступени (миним. мощность).
 - IV - не используется (Черный).
- (5): ДЕБЛОКИРОВОЧНЫЙ РЫЧАГ**

ПЕРЕКЛЮЧАТЕЛЬ РЕЖИМОВ



- 0 = фиксированные параметры оборудования для работы на средней мощности
- = работа на максимальной мощности
- = работа на минимальной мощности
- AUTO = работа в автоматическом режиме



! **Опасность вспышки!** Постоянно контролируйте содержание CO, CO₂ и дымовые выбросы в процессе регулировки. В случае образования CO оптимизируйте значения горения. Содержание CO не должно превышать 50 пропромилле.

Ввод в эксплуатацию - Регулировка реле давления воздуха и газа

Регулировка реле давления воздуха

Реле давления воздуха контролирует давление воздуха для горения.

Отвинтить винты **A** и **B** и снять крышку **C**. •Отрегулируйте горение с реле давления воздуха, настроенным на минимальное значение.

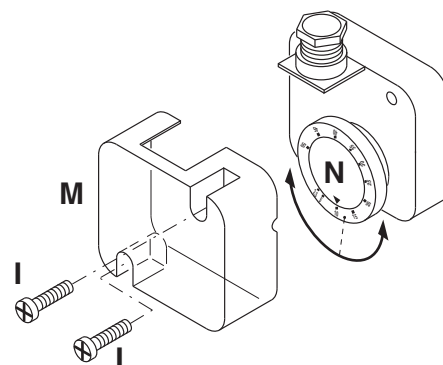
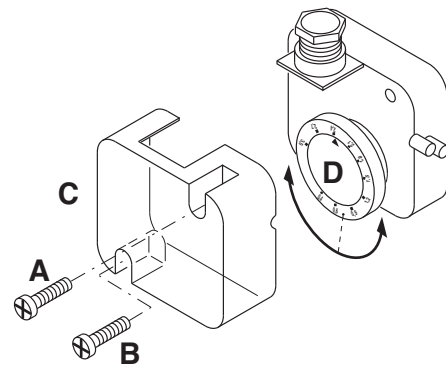
•Закройте отверстие всасывания воздуха куском картона, следя за анализируемыми значениями O₂ и CO.

•Постепенно еще больше закройте проход воздуха до тех пор, пока значение CO не окажется слегка выше 1000 ppm. Оставьте картонку в этом положении.

•Увеличьте настройку реле давления воздуха вплоть до блокировки горелки.

•На данном этапе реле давления настроено таким образом, чтобы избежать образования CO.

•Уберите картонку и установите на место крышку **C**.



Регулировка реле минимального давления газа

Функция реле минимального давления газа - следить за тем, чтобы давление газа перед газовым клапаном было не ниже минимального, при котором горелка работает нормально.

Отвинтить винты **I** и **L** и снять крышку **M**. Установить регулятор **N** на значение равное 60% номинального давления газа (например, при номинальном давлении метана 20 мбар регулятор устанавливается на значение 12 мбар; для сжиженного газа с номинальным давлением 30/37 мбар регулятор устанавливается на значение 18 мбар). Установить на место крышку **M** и ввернуть винты **I** и **L**.

Контроль функционирования

Контроль пламени должен быть выполнен как в случае первого запуска, так и после технического обслуживания или после длительного периода бездействия системы.

- Тест запуска с закрытым газовым краном:

блок управления должен сигнализировать сбой по причине нехватки газа или перейти в режим блокировки по окончании предохранительного времени.

Техническое - Работы по техническому обслуживанию

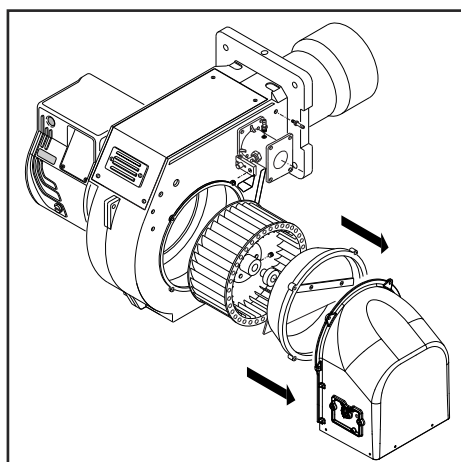
Работы по техническому обслуживанию котла и горелки должны выполняться только специалистом-теплотехником. Для обеспечения регулярного обслуживания пользователю рекомендуется заключить договор на техническое обслуживание.

Внимание

- Перед выполнением любых работ по техническому обслуживанию и очистке отключите электропитание.
- Блокирование и компоненты головки могут быть горячими.

Проверка температуры топочных газов

- Регулярно проверяйте температуру дымовых газов.
- Выполняйте очистку котла, если температура продуктов сгорания более чем на 30° С превышает значение температуры, измеренное при пуске горелки в эксплуатацию.
- С целью упрощения контроля установить дисплей для визуализации температуры выхлопных дымов.



Положения для технического обслуживания

- Все компоненты системы подачи топлива (шланги, трубопроводы) и их соединения должны быть проверены (герметичность, износ) и, при необходимости, заменены.
- Проверьте все электрические подключения и кабели, при необходимости замените их.
- Проверьте состояние газового фильтра, очистите или замените его.
- Проверьте рабочее колесо вентилятора и корпус и убедитесь, что они не повреждены.
- Проверьте и очистите головку горелки.
- Проверьте электроды, при необходимости отрегулируйте или

замените их.

- Запустите горелку, проверьте процесс сгорания и, при необходимости, откорректируйте регулировки горелки.
- Проверьте реле давления воздуха и реле давления газа.
- Проверьте чувствительность газовой рампы к регулировке.
- Выполнить контроль функционирования.

Техническое - Возможные неполадки

Причины неисправностей и способы их устранения

При отклонениях от нормы, должны быть проверены нормальные условия для работы горелки:

1. Есть электрический ток?
 2. Есть давление газа?
 3. Кран остановки подачи газа открыт?
 4. Правильно ли настроены все регулирующие и предохранительные устройства, такие как термореле котла, предохранитель от недостатка воды, электрические концевые выключатели?
- В случае, если после контролей в названных точках аномалия сохранится, пользоваться следующей таблицей.

Ни один из существенных компонентов системы безопасности не должен ремонтироваться; эти компоненты должны заменяться компонентами с таким же обозначением.

Используйте только оригинальные запасные части.

ВВ: После проведения любых работ:

- выполните проверку параметров горения в реальных условиях эксплуатации (дверцы закрыты, крышкана месте и т. д.).
- отрегулировать параметры сгорания в технических документах станции.

Обслуживание

Периодическое обслуживание

Периодическое обслуживание горелки (головки, электродов и т.д.) должно выполняться квалифицированным персоналом. В зависимости от условий эксплуатации это делается один или два раза в год. Прежде чем приступить к проверке и последующему обслуживанию горелки рекомендуется произвести её общий осмотр.

Для этого:

- отключить энергоснабжение горелки (вытащить штекер из розетки);
- закрыть отсечной газовый кран;
- снять крышку горелки, прочистить вентилятор и всасывающий воздухопровод;
- прочистить головку горелки и проверить положение электродов;
- установить обратно все детали;
- проверить герметичность газовых соединений;
- проверить дымоход;
- запустить горелку;
- измерить параметры горения

Прежде, чем выполнять дальнейшие операции, необходимо проверить, верно, что:

- напряжение подается на установку, а

горелка подключена;

- в сети имеется требуемое давление газа, и отсечной газовый кран находится в открытом положении;
 - предохранительные устройства и приборы управления подключены правильно;
- Если все вышеупомянутые условия соблюдены, нажатием кнопки перезапуска запустить горелку. Проверить рабочий цикл горелки.

Не происходит запуск горелки:

- Проверить выключатель, термостаты, двигатель и давление газа.

После предварительной продувки происходит блокировка горелки:

- Проверить давление газа и вентилятор.
- Проверить реле давления воздуха.

После предварительной продувки розжиг горелки не происходит:

- Проверить правильность установки электродов и их положение.
- Проверить провод розжига.
- Проверить трансформатор розжига.
- Проверить предохранительные устройства.

После розжига по истечении времени аварийной остановки происходит блокировка горелки:

- Проверить правильность подключения фазы и нуля.
- Проверить газовые электроклапаны.
- Проверить положение и правильность подключения электрода обнаружения пламени.
- Проверить состояние самого электрода обнаружения пламени.
- Проверить предохранительные устройства.

Блокировка горелки происходит после ее непродолжительной нормальной работы:

- Проверить регулятор давления газа и газовый фильтр.
- Проверить давление газа с помощью манометра.
- Проверить параметры обнаружения пламени.

Таблица кода ошибки

Код красного мигания сигнальной лампы(LED)	«AL» на клм. 10	Возможная причина
2 мигания	Вкл	Нет стабилизации пламени в конце «TSA» - неисправные или грязные топл. клапаны - неисправный или грязн. датчик пламени - плохая настройка горелки, нет топлива - неисправная система зажигания
3 мигания	Вкл	Неисправное реле «LP» - потеря сигнала давления воздуха после «t10» - контакты реле «LP» залипли в норм. положении
4 мигания	Вкл	Посторонний свет при пуске горелки
5 мигания	Вкл	Time out «LP» залипание контактов «LP» в рабоч.положении
6 мигания	Вкл	свободно
7 мигания	Вкл	Частое пропадание пламени во время работы (ограничение повторений) - неисправные или грязные топл. клапаны - неисправный или грязн. датчик пламени -плохая настройка горелки
8 мигания	Вкл	свободно
9 мигания	Вкл	свободно
10 мигания	Выкл	Ошибка в разводке проводов или внутренняя ошибка, контакты вывода, другие отказы
14 мигания	Вкл	Не замкнут контакт CPI

Inhalt - Inhaltsverzeichnis - Allgemeine Hinweise - Konformitätserklärung

Überblick	Technische Daten	3
	Arbeitsfeld	4
	Größe	5
Inhalt	Inhaltsverzeichnis	56
	Allgemeine Hinweise	56
	Brennerbeschreibung	57
Funktion	Allgemeine Sicherheitsfunktionen	58
	SIEMENS... Steuerungs- und Sicherheitseinheit	59
Installation	Brennermontage	60
	Elektroanschluss	61
	Prüfungen vor der Inbetriebnahme	61
Inbetriebnahme	Regulierung des Brennerausgangs	62
	Regulierung des Luftdruckschalters - Einstellung des Gasdruckwächters	63
Service	Wartung	64
	Fehlerbehebung	65
Überblick	Druckverlust-Diagramm	66-75
	Elektrische Diagramme	76-77
	Ersatzteilliste	78-83
Inhalt	Konformitätserklärung	84

Wichtige Hinweise

Die BLU Brenner wurden für die schadstoffarme Verbrennung von Erd- und Propangas entworfen.

Die Brenner entsprechen der Norm EN676. Montage und Inbetriebnahme dürfen ausschließlich von autorisierten Fachkräften durchgeführt werden, wobei die geltenden Richtlinien und Vorschriften zu beachten sind.

Brennerbeschreibung

Die Blaubrenner BLU PR sind progressive, voll- automatisch arbeitende Brenner in Monoblockausführung.

Die Geometrie des Brennerkopfes ermöglicht niedrige NO_x-Werte und geringe Verbrennungsrückstände, was die Ergiebigkeit des Generators maximiert. Die Emissionen können anders ausfallen, als die im Labor gemessenen, da sie stark vom Generator beeinflusst werden, auf dem der Brenner installiert ist.

Der Installateur muss die geltenden Vorschriften einhalten. Ungeeignet für die Installation sind z.B. Räume mit explosiver Atmosphäre oder Räume ohne Belüftung.

Wir lehnen jegliche Haftung für Schäden ab, die sich aus folgenden Gründen ergeben:

- unsachgemäße Benutzung
- fehlerhafte Montage bzw. Instandsetzung durch Käufer oder Dritte, einschließlich Einbringen von Teilen fremder Herkunft.

Übergabe und Bedienungsanweisungen

Der Installateur der Feuerungsanlage muss dem jeweiligen Betreiber spätestens bei der Übergabe der Anlage die Wartungs- und Bedienungsanweisungen übergeben. Diese sind gut sichtbar im Heizraum auszuhängen. Anschrift und Rufnummer der nächsten Kundendienststelle müssen eingetragen werden.

Wichtiger Hinweis für den Betreiber

Die Anlage sollte jährlich mindestens einmal von einer Fachkraft überprüft werden. Je nach Anlagentyp sind möglicherweise auch kürzere Wartungsintervalle erforderlich! Um eine regelmäßige Durchführung der Wartungsarbeiten zu gewährleisten, wird dem Betreiber der Anlage der Abschluss eines Wartungsvertrags empfohlen.

Ecoflam Brenner sind nach allen einschlägigen Vorschriften und Richtlinien entworfen und gebaut.

Alle Brenner entsprechen den Sicherheits- und Energiesparvorschriften im Rahmen ihrer jeweiligen Leistungsbereiche. Die Qualität wird durch das nach ISO 9001:2008 zertifizierte Qualitätsmanagementsystem garantiert



Inhalt - Brennerbeschreibung

BLU 1200.1 LN PR TC

BEREICHSNAME NACH BRENNSTOFFTYP

BLU

MODELLGRÖSSE

BLU 1200.1

EMISSIONEN VERBRENNUNGSTYP

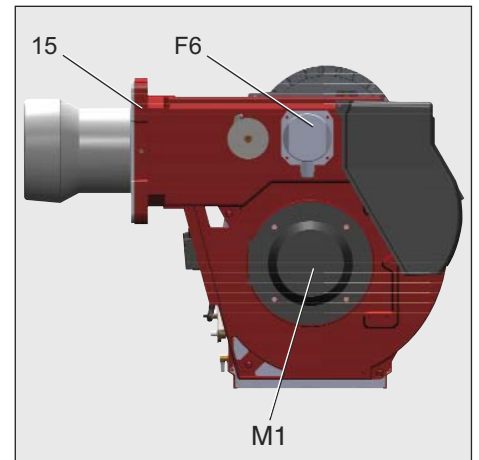
LN	Low NOx Klasse 3 GAS EN676 (≤ 80 mg/kWh)
-	Standard Klasse 2 GAS EN676 (≤ 120 mg/kWh)

BETRIEBSART

PAB	2-stufig
PR	2-stufige progressive mechanische
PRE	2-stufige progressive elektronische

KOPFTYP

TC	kurzer Brennerkopf
TL	langer Brennerkopf



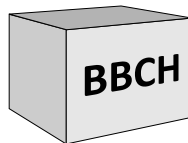
- A1 SIEMENS Gas-Steuergerät
- F6 Luftdruckschalter
- M1 Elektromotor
- T1 Zündtransformator
- 5 Gehäuse
- 8 Brennerrohr
- 15 Brennerflansch
- 16 Entriegelungsknopf
- 103B Luftmengeneinstellung
- 113 Lufteinlass

Lieferumfang

Der Brenner wird mit einem modularem Verpackungssystem (z.B. separate Schachteln) geliefert:

BBCH: Brenner mit Brennkopf und Flansch.

- 1 Tasche mit :- Mehrsprachigem technischen Handbuch.
- Schlüssel.
- Schrauben, Muttern und



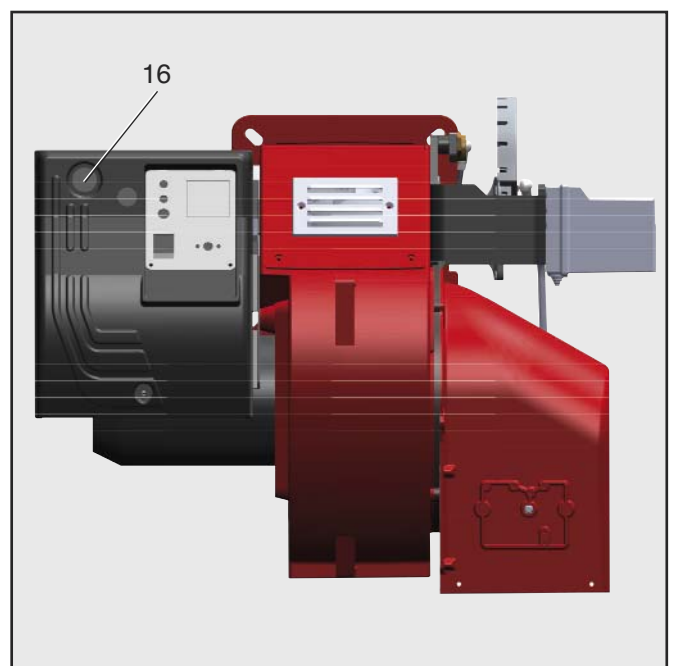
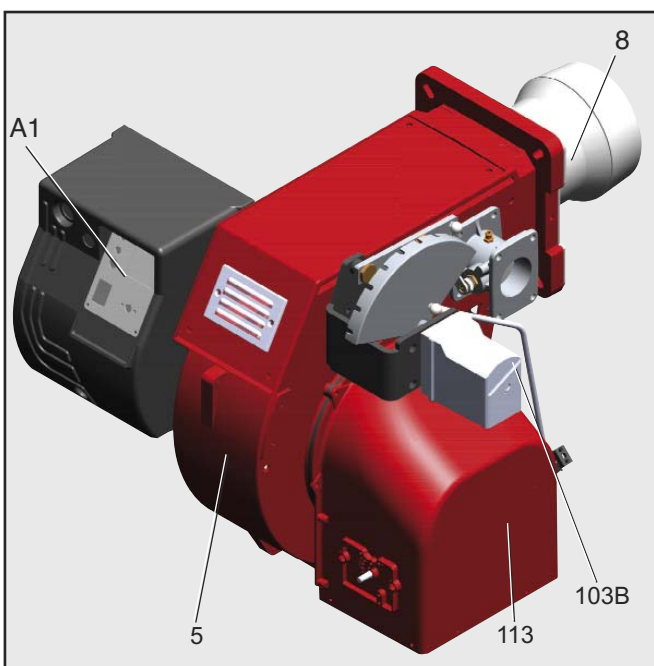
BAUSATZ UND ZUBEHÖR werden separat geliefert



Unterlegscheiben.

GT: Separate Gas-Zug

KIT & ACS sind separat bestellbar und werden getrennt geliefert



Funktion - Allgemeine Sicherheits-Funktionen

Beschreibung der Betriebsweise

Bei der ersten Spannungszufuhr wird nach einer Stromunterbrechung, einer Sicherheitsabschaltung, einem Gasaustritt oder einer 24-stündigen Stillstandszeit, für 30 Sekunden eine Vorbelüftung gestartet.

Während der Vorbelüftungszeit wird:

- der Luftdruck überwacht,
- die Brennkammer auf Flammenanzeigen kontrolliert.

Nach der Vorbelüftungszeit wird:

- die Zündung geschaltet,
- das Haupt- und Sicherheitsventil geöffnet,
- der Brenner gestartet.

Überwachung

Die Flamme wird durch eine Ionisationssonde überwacht. Die isolierte Sonde ist am Gasbrennkopf befestigt und wird mit der Flammenscheibe in den Flammenbereich gebracht. Die Sonde darf keinen elektrischen Kontakt mit den Teilen der

Erdung haben.

Wenn ein Kurzschluss zwischen der Sonde und der Erde des Brenners auftritt, schaltet der Brenner auf Sperre.

Während des Betriebs bildet sich in der Gasflamme ein ionisierter Bereich, durch den ein gleichgerichteter Strom von der Sonde zum Brennerkopf strömt.

Sicherheitsfunktion

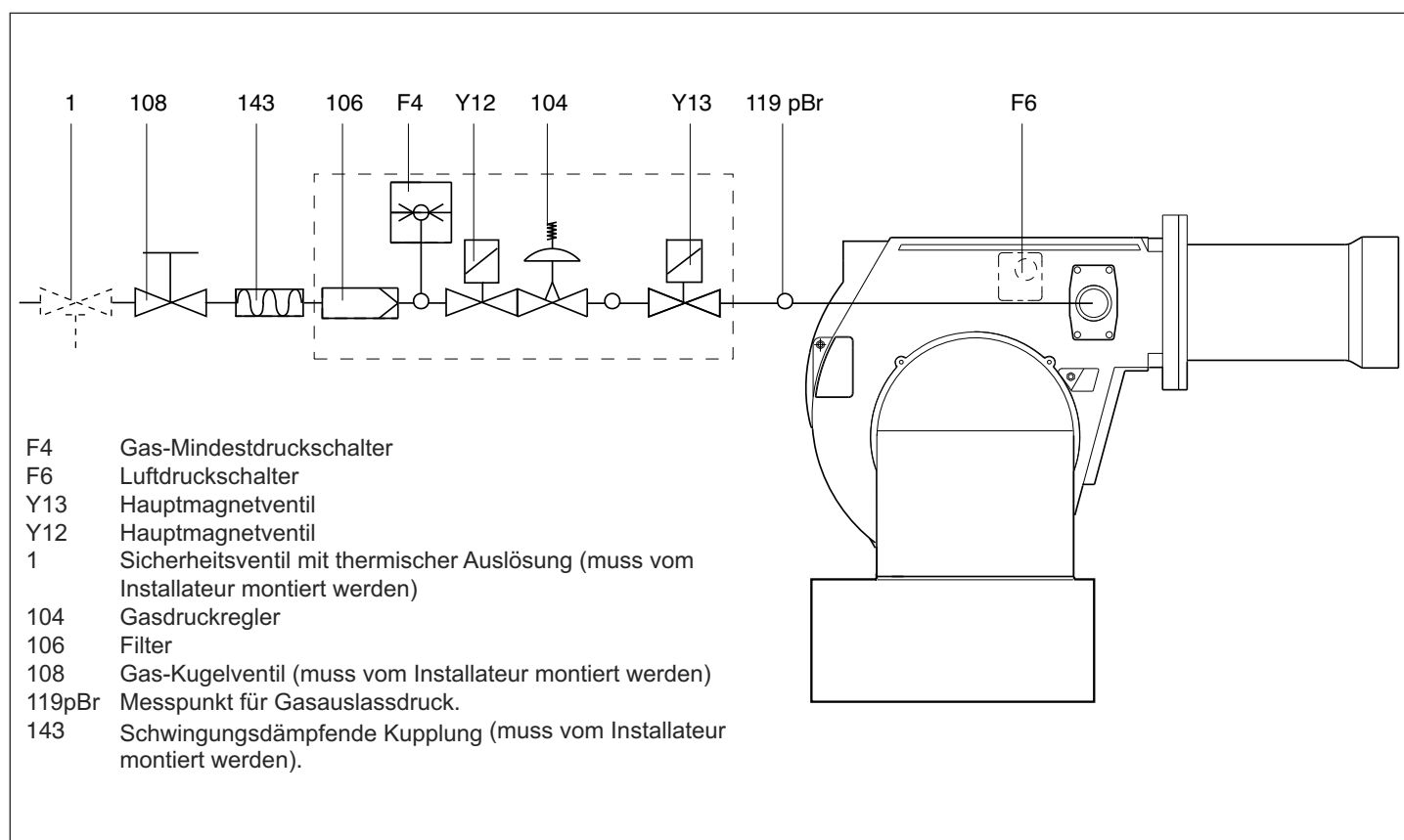
- Wenn beim Starten des Brenners (Gasabgabe) keine Flamme erzeugt wird, schaltet sich der Brenner nach der dauernden Sicherheitszeit ab und das Gasventil wird geschlossen.
- Wenn die Flamme während des Betriebs erlischt, wird die Gaszufuhr unterbrochen und das Bedien- und Kontrollgerät blockiert.
- Tritt Luft während der Vorbelüftung oder bei Betrieb ist mangel und das Bedien- und Kontrollgerät blockiert.
- Bei einem Gasmangel startet der Brenner nicht oder schaltet sich ab.

Reglerabschaltung

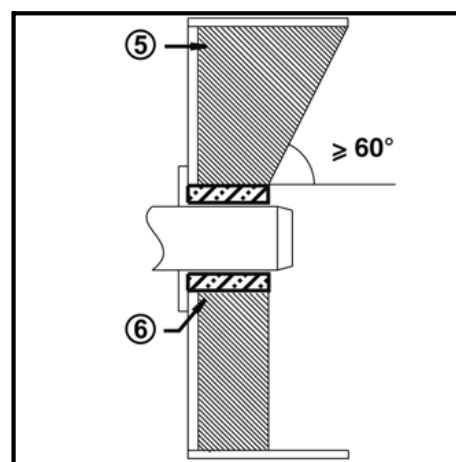
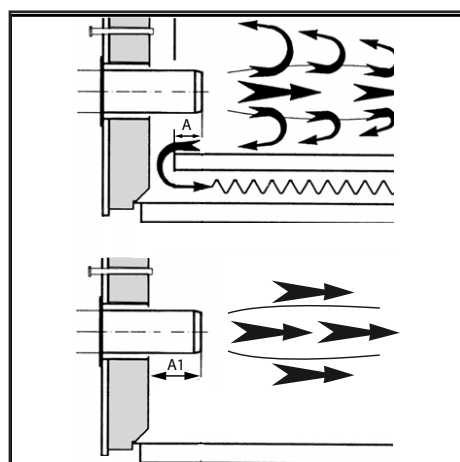
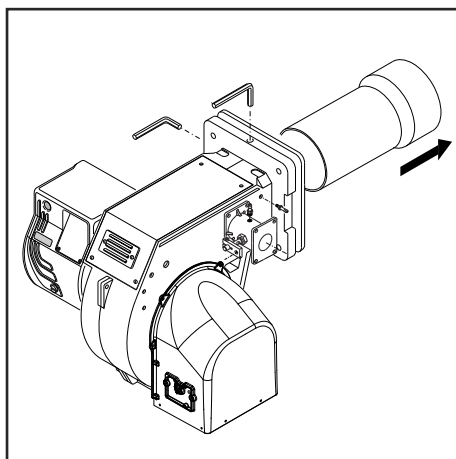
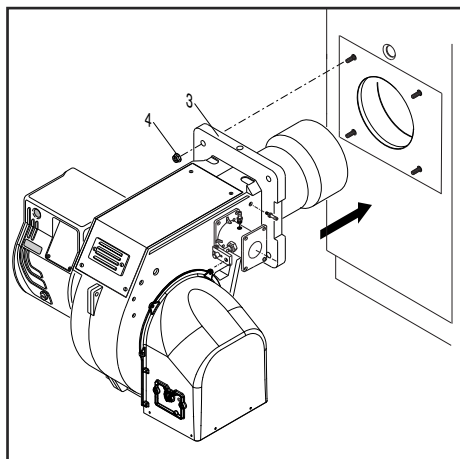
- Das Regelthermostat unterbricht die

Heizanforderung,

- Die Gas-Magnetventile schließen sich.
- Die Flamme erlischt.
- Der Brennermotor schaltet sich ab.
- Der Brenner ist betriebsbereit.



Installation - Brennermontage



Gasleitungen

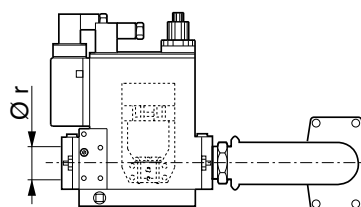
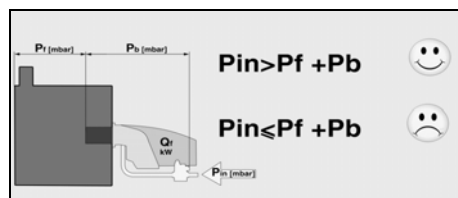
Bei der Installation der Gasleitungen und des Gas-Zugs müssen die Bestimmungen und Richtlinien in der EN676 befolgt werden. Gemäß den Der Installateur muss auch zusätzliches Zubehör installieren, das von den örtlichen Bestimmungen vorgeschrieben wird.

Allgemeine Bestimmungen für den Gasanschluss

- Der Gas-Zug darf nur von einem autorisierten Fachmann an das Gasnetz angeschlossen werden.
- Der Querschnitt des Gasrohrs sollte so bemessen sein, dass der Gaszufuhrdruck nicht unter den vorgeschriebenen Wert abfällt.
- Ein manuelles Absperrventil (nicht im Lieferumfang enthalten) muss vor dem Gas-Zug montiert werden.

LEGENDE

Pf: Gegendruck der Feuerungsanlage
 Pb: Brennerdruck (Brennkopf + kompletter Gas-Zug)
 Pin: Mindestzufuhrdruck



Brennermontage

Der Brenner wird mit dem Anschlussflansch am Heizkessel befestigt.

Einbau:

- Anschlußflansch 3 mit Schrauben 4 am Kessel befestigen.

Ausbau :

- Die Schrauben lockern und den Brenner beseitigen.

Brennerrohr-Einbautiefe und Ausmauerung

Bei Wärmezeugern ohne gekühlte Vorderwand ist, sofern der Kesselhersteller keine anderen Angaben macht, eine Ausmauerung oder eine Isolierung 5 wie in der nebenstehenden Abbildung erforderlich. Die Ausmauerung darf die Vorderkante des Flammrohrs nicht überragen und mit höchstens 60° konisch zulaufen. Der Luftspalt 6 ist mit einem elastischen, nicht brennbaren Isolationsmaterial auszufüllen. Bei Heizkesseln mit Umkehrfeuerung muss die Mindestdiefe beim Einsetzen des Schlauchs A laut Anweisungen des Kesselherstellers eingehalten werden.

Bei Kesseln mit ist die Eintauchtiefe des Flammrohrs nach den Angaben des Kesselherstellers zu beachten.

Heizkessel mit Flammenumkehr :

A = 50-100 mm.

Dreizugkessel :

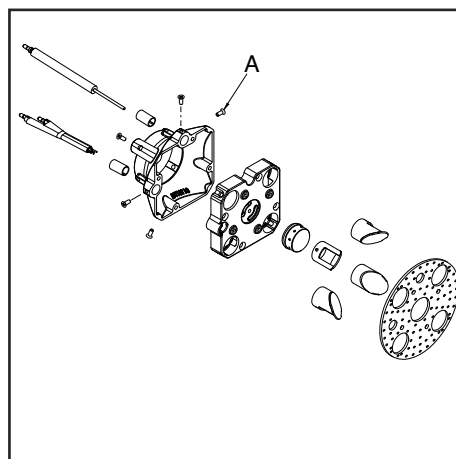
A1 = 50-100 mm.

Abgasanlage

Um eine eventuelle ungünstige Schallemissionen zu vermeiden, sollten nach Möglichkeit keine rechtwinkligen Anschlussstücke bei der rauchgasseitigen Anbindung des Kessels verwendet werden.

LPG UMWANDLUNG

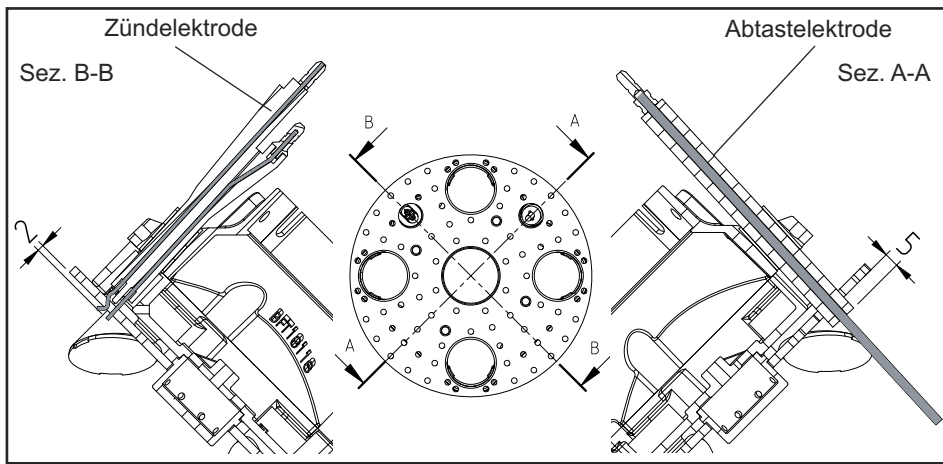
KITLPG	
KITLPG-BLU700.1	3124488
KITLPG-BLU1000.1-1500.1	3124489



Für die Umwandlung des Methan-Betriebes in Flüssiggas-Betrieb muss folgendermaßen vorgegangen werden:

- Die Blockierung entfernen.
- Die 4 Diffusoren gegen die für das Flüssiggas auswechseln, durch Betätigung der Schrauben A.
- Die Scheibe entfernen.
- Die Nase gegen die für das Flüssiggas auswechseln.
- Die Scheibe wieder korrekt montieren.
- Die Blockierung gegen die für das Flüssiggas auswechseln (Nicht für die LN-Version).

Installation - Elektroanschluss - Kontrollen für der Inbetriebnahme



Düsen austausch

Einstellung des Ionisierungssensors und der Zündprobe: siehe Diagramm
Immer die Position der Elektroden nach deren Austausch oder der Montage des LPG-Sets überprüfen. Eine falsche Position kann zu Problemen bei der Zündung führen.

Kontrollen vor Inbetriebnahme

- Vor der Erstinbetriebnahme sollten die folgenden Punkte geprüft werden.
- Der Brenner wurde gemäß vorliegender Anleitung montiert.
 - Der Brenner wurde gemäß den Angaben in der Einstelltabelle voreingestellt.
 - Die Mischeinrichtung wurde eingestellt.
 - Der Wärmeerzeuger muss betriebsbereit sein, die Betriebsvorschriften für den Wärmeerzeuger müssen eingehalten werden.
 - Alle Elektroanschlüsse müssen vorschriftsmäßig ausgeführt sein.
 - Wärmeerzeuger und Heizanlage sind mit Wasser gefüllt, die Umwälzpumpen sind in Betrieb.
 - Temperaturregler, Druckregler, Wassermangelsicherung und andere eventuell vorhandene Begrenzungs- und Sicherheitsvorrichtungen sind angeschlossen und funktionsfähig.
 - Der Schornstein muss frei und die Nebenluftvorrichtung, falls vorhanden, in Betrieb sein.
 - Es muss eine ausreichende Frischluftzufuhr gewährleistet sein.
 - Es muss eine Wärmeabnahme vorhanden sein.
 - Es muss genügend Gasdruck vorhanden sein.
 - Die Brennstoffleitungen müssen fachgerecht montiert, auf Dichtheit geprüft und entlüftet sein.
 - Ein normgerechter Messpunkt muss vorhanden sein und das Abzugsrohr bis zum Messpunkt muss dicht sein, damit die Messergebnisse nicht verfälscht werden.

Elektroanschluss

Die Elektroinstallation und Anschlussarbeiten dürfen ausschließlich vom Elektrofachmann ausgeführt werden. Dabei sind die geltenden Vorschriften und Richtlinien zu beachten. Bei der Elektroinstallation ist ein Trennschalter vom Typ A einzusetzen. **Es sind alle anwendbaren Richtlinien und Vorschriften sowie der mit dem Brenner gelieferte Stromlaufplan zu beachten!**

- Sicherstellen, dass das Gerät wirksam geerdet ist.
- Sicherstellen, dass der Erdleiter des Versorgungskabels ein paar cm länger als die anderen ist.
- Sicherstellen, dass die Spannungsversorgung den Angaben auf dem Stromlaufplan und dem Kennschild entspricht.
- Brennerabsicherung: 5 A.

Elektroanschluss über Steckverbindungen

Der Brenner muss mit einer den geltenden Normen entsprechenden allpoligen Abschaltvorrichtung vom Netz getrennt werden können. Die Brenner und die Thermogeneratoren (Kessel) werden durch Anschluss an das Klemmbrett der Tafel miteinander verbunden (Abb.1).

Anschluss des Gas-Zugs

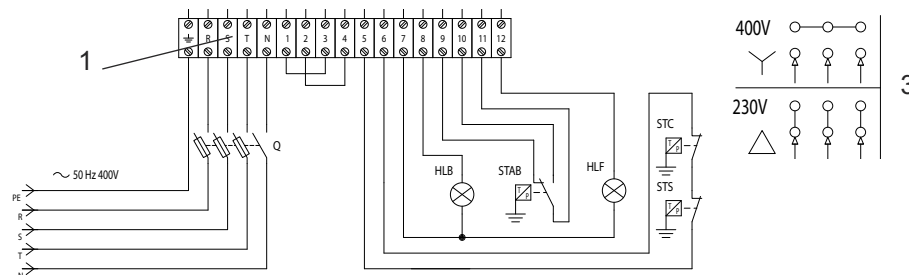
Den Gas-Zug an die Stecker am Brenner anschließen.

Die Brenner sind für den Anschluss an eine Dreiphasen-Versorgung von 400 V geeignet.

Die Brenner mit Elektromotoren von einer Leistung unter oder gleich 3 KW können für eine Versorgung von 220-230 V angepasst werden (siehe Anweisungen auf der Rückseite); Für Motoren mit höheren Leistungen ist nur eine Dreiphasen-Versorgung von 380-400 V möglich. Sind Brenner, die nicht den oben angegebenen Standardausführungen entsprechen, muss dieses in der Bestellung ausdrücklich angegeben werden.

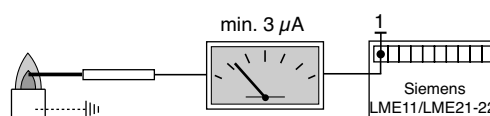
Anweisungen: Wie werden Elektromotoren unter oder gleich 3 KW für Versorgung von 220-230 V angepasst

Die Spannung des Brenners kann folgendermaßen geändert werden:
1. Die Verbindung innerhalb der Versorgungsdose des Elektromotors umändern: Von Stern auf Dreieck (siehe Abbildung 3);
2. Die Eichung des Thermo-Relais, in Bezug auf die auf dem Schild des Elektromotors angegebenen Aufnahmewerte, ändern. Sofern erforderlich, das Thermorelais gegen ein anderes mit geeigneter Skala austauschen. Dieser Vorgang ist für Motore über 3 KW nicht möglich.
Für ausführlichere Informationen wenden Sie sich bitte an das Personal von Ecoflam

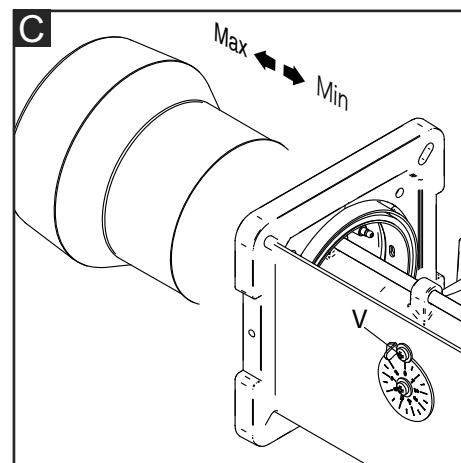
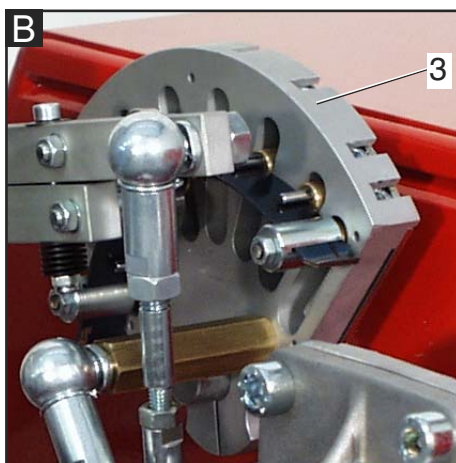
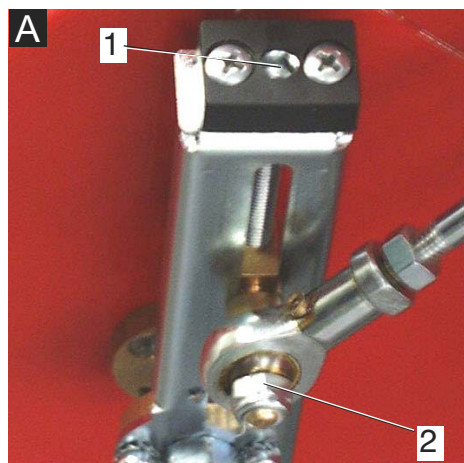


System zur feststellung der flamme

Schließen Sie bei ausgeschaltetem Brenner ein GS-Mikroamperemeter. Bei laufendem und korrekt eingestelltem Brenner muss der Ablesewert stabil sein und darf nie unter 3 µA liegen.



Inbetriebnahme - Regelung des Brenners



Hinweis: Die Einstellung des Brenners muss immer mithilfe des Verbrennungsanalyseinstruments erfolgen.

Einstellung des Gas-Schmetterlingsventils: Das Führungsblech an der Schraube 3 verstellen.

Einstellung der Luftklappen: Hebel (A).

Einstellung des Gasdrucks: siehe Gastrecke.

Der Brenner wird mit Verbrennungskopf und Luftklappe geliefert, die beide in Zwischenposition eingestellt sind.

- Den Brenner einschalten und mit dem Umschalter der Bedientafel auf Minimalleistung stellen.
- Die Verbrennung kontrollieren und einstellen, indem der Gasdurchsatz mit einem Inbusschlüssel geändert wird.
- Mit dem Umschalter die Leistung auf die nächste Stufe erhöhen und bei jeder einhalten, um den Gasdurchsatz ungefähr einzustellen.
- Wenn die Höchstleistung erreicht wird, bevor das Gas-Drosselventil und die Belüftungsklappe komplett geöffnet ist, den Verbrennerkopf auf die Position der Mindestleistung stellen, den Ausgangsdruck der Ventile vermindern und gleichzeitig die Öffnung der Belüftungsklappe und des Gas-Drosselventils erhöhen.
- Wenn die Leistung bei vollständiger Öffnung der Servoregelung nicht erreicht wird, den Luftdurchsatz erst an der Belüftungsklappe und dann durch Verschieben des Kopfes in Richtung der Maximalflamme erhöhen; darüber hinaus den Gasdruck mittels der Gastrecke erhöhen.

Nun wird der Brenner auf die geforderte Leistung bei komplett geöffneter Belüftungsklappe und Gas-Drossel eingestellt. Stets die Verbrennungsparameter kontrollieren. Langsam mit dem Schalter bis zur Minimalleistung verringern und auf den

Zwischenstufen einhalten, um die Verbrennung zu kontrollieren. Die Minimalleistung kann nun durch die Einstellung der entsprechenden Kurvenscheibe auf der Servoregelung geändert werden.

Brennerkopfeinstellung (C).

- Die Befestigungsschraube des Hebels V lockern.
- Den Hebel in die gewünschte Position bringen.
- Die Befestigungsschraube wieder anspannen.

Einstellung des Gasventils

Für die Gaseinstellung des gewünschten Gas-Zugs wird auf das betreffende Handbuch verwiesen

UMSCHALTER

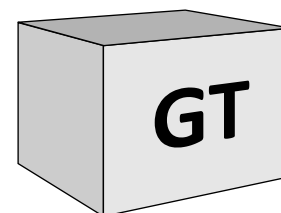


0 = Blockierung der Vorrichtungen für den Betrieb in einer Zwischenstellung

☞ = Betrieb bei Maximalleistung

☜ = Betrieb bei Mindestleistung

AUTO = Automatischer Betrieb



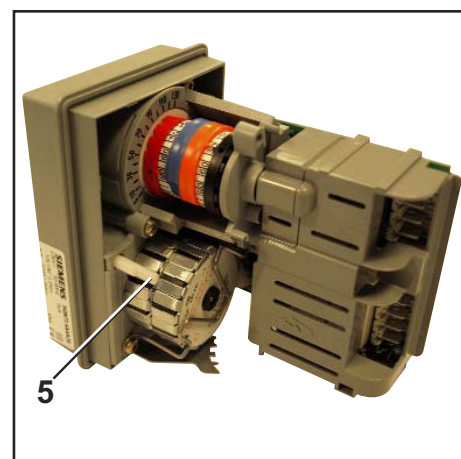
Achtung : Minimal erforderliche Abgastemperatur nach Angaben des Kesselherstellers und nach Anforderungen Abgaswege zur Vermeidung von Kondensation beachten.

Servomotor SQN 72 4A4A20

Den Deckel für den Zugriff zum Regulierungsnocken entfernen. Die Nockeneinstellung muss mit dem in Ausstattung gelieferten Schlüssel durchgeführt werden. Beschreibung:

- I Regulierungsnocken in Öffnungsposition auf Maximalleistung der Flamme.
- II Regulierungsnocken in Löschungsposition (Schließung).
- III Regulierungsnocken in Öffnungsposition auf Mindestleistung der Flamme.
- IV Nicht verwendet.

(5): FREIGABEHEBEL



Verpuffungsgefahr!

Während der Einstellarbeiten permanent CO- und CO₂-Gehalt sowie Abgase kontrollieren. Bei CO- Bildung Verbrennungswerte optimieren. Der CO-Gehalt darf 50 ppm nicht überschreiten.

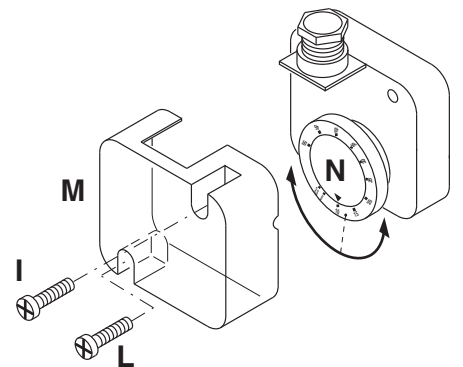
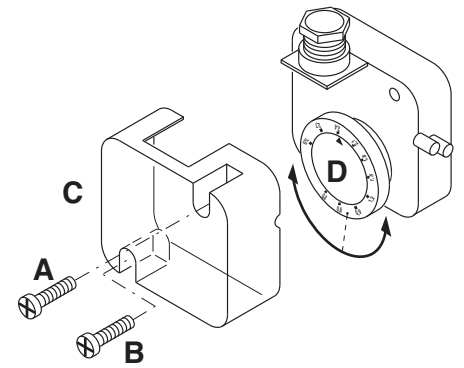
Inbetriebnahme - Regelung des Luftdruckschalters - Einstellung des Gasdruckwächters

Einstellung des Luftdruckschalters

Der Luftdruckschalter kontrolliert den Lüfterluftdruck.

Die Schrauben A und B abschrauben und den Deckel C abnehmen.

- Verbrennungswerte mit dem am Minimalwert eingestellten Druckwächter ueberpruefen.
- Lufteringang am Brenner mittels einem Kartonblatt verstopfen, während dessen die O₂ und CO-Werte am Analyser aufgepasst werden müssen.
- Nach und nach den Verschluss des Luftergangs verstopfen, bis der CO-Wert 1000 ppm leicht überschritten. Den Karton in dieser Position stoppen.
- Skalenwert solange erhöhen bis Luftdruckwächter Brenner abschaltet.
- So ist der Druckwaechter zur Vermeidung von CO-Emissionen eingestellt.
- Karton wegnehmen und Deckel C wieder montieren.



Mindestgasdruckschalter

Der Gasdruckschalter hat die Aufgabe, den Mindestdruck des Gases zu prüfen, bevor das Gasventil den Mindestdruck für den korrekten Brennerbetrieb erreicht.

Den Deckel M abschrauben und abnehmen. Den Regler N auf einen Wert einstellen, der 60 % des nominalen Gaszufuhrdrucks entspricht (z.B. Nenndruck für Erdgas = 20 mbar; den Regler auf einen Wert von 12 mbar einstellen; Nenndruck für LPG G30/G31 = 30/37 mbar; den Regler auf einen Wert von 18 mbar einstellen). Den Deckel M wieder anschrauben.

Betriebskontrolle

Eine Sicherheitskontrolle des Flammenwächters muss sowohl bei der Inbetriebnahme als auch nach Überholungen oder nach einer langen Stillstandszeit der Anlage durchgeführt werden.

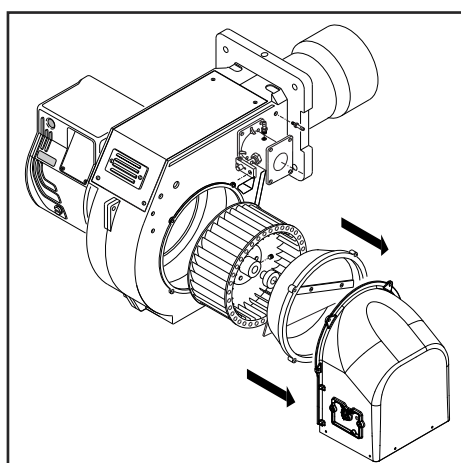
- Beim Probestart muss das Kugelgasventil geschlossen sein: Das Kontrollgerät muss einen Betriebsausfall wegen eines Gasmangels anzeigen oder sich nach Ablauf der Sicherheitszeit blockieren.

Service - Wartung

Servicearbeiten an Kessel und Brenner führt ausschließlich der geschulte Heizungsfachmann durch. Um eine regelmäßige Durchführung der Servicearbeiten zu gewährleisten sollte dem Betreiber der Anlage der Abschluß eines Wartungsvertrages empfohlen werden.

Achtung

- Vor Wartungs- und Reinigungsarbeiten, Strom abschalten.
- Das Blasrohr und der Zündkopf können sehr heiß sein.



Kontrolle der Abgastemperatur

- regelmäßig die Abgastemperatur überprüfen.
- Kessel reinigen, wenn die Abgastemperatur den Wert der Inbetriebnahme um mehr als 30°C überschreitet.
- setzen Sie zur Vereinfachung der Kontrolle eine Abgastemperaturanzeige ein.

Wartungsarbeiten am Brenner

- Die Gaszufuhrkomponenten (Rohre, Leitungen) sowie deren Verbindungen auf Undichtigkeiten oder Verschleißerscheinungen prüfen, ggf. austauschen.
- Elektrische Anschlüsse und Verbindungskabel auf Beschädigungen überprüfen, ggf. auswechseln.
- Den Gasfilter überprüfen, reinigen oder ggf. austauschen.
- Das Lüfterrad und das Gehäuse reinigen und auf Beschädigungen prüfen.
- Die Mischeinheit kontrollieren und reinigen.
- Zündelectroden prüfen, ggf. nachju-

stieren oder austauschen.

- Brenner starten, Abgasdaten kontrollieren, Brennereinstellungen ggf. korrigieren.
- Die Einstellung des Luftdruckschalters und des Gasdruckwächters überprüfen.
- Die Gas-Zug-Einstellungen überprüfen.
- Eine Funktionskontrolle durchführen.

Service - Fehlerbehebung

Ursachen und Beseitigung von Störungen

Bei Störungen müssen die grundsätzlichen Voraussetzungen zum ordnungsgemäßen Betrieb kontrolliert werden:

1. Ist Strom vorhanden?
2. Ist genügend Gasdruck vorhanden?
3. Ist das Gas-Absperrventil offen?
4. Sind alle Regel- und Sicherheitsgeräte wie Kesselthermostat,

Wassermangelsicherung, End- schalter etc. eingestellt?

Falls die Betriebsstörung anhält, verwenden Sie die folgende Tabelle. Sicherheitskomponenten dürfen nicht repariert, sondern müssen durch Teile mit derselben Bestellnummer ersetzt werden

Nur Originalersatzteile verwenden.

NB: Nach jedem Eingriff Verbrennungs

- Werte bei Betriebsbedingungen kontrollieren (geschlossene Heizraumtür, montierte Haube, usw.).
- Die Ergebnisse in den entsprechenden Dokumenten eintragen.

Wartung

Jährliche kontrolle

Die Kontrolle des Brenners (Brennkopf, Elektroden usw.) muß je nach Benutzung ein- oder zweimal jährlich von qualifiziertem Fachpersonal durchgeführt werden.

Vor der Kontrolle für die Wartung des Brenners ist es ratsam, den allgemeinen Zustand des Brenners zu überprüfen und die folgenden Operationen durchzuführen:

- Spannung vom Brenner abklemmen (Stecker ziehen).
- Gashahn schließen.
- Deckel vom Brenner abnehmen, Gebläse und Luftansaugung reinigen.
- Brennkopf reinigen und Position der Elektroden kontrollieren.
- Teile wieder montieren.
- Dichtigkeit der Anschlüsse kontrollieren.
- Kamin kontrollieren.
- Brenner zünden.
- Die Verbrennungswerte kontrollieren

Vor jedem eingriff kontrollieren :

- daß Strom an Anlage und Brenner angeschlossen ist.
- daß der Gasdruck korrekt und der Gashahn offen ist.
- daß die Kontrollsysteme richtig angeschlossen sind. Wenn dies der Fall ist, den Brenner durch Drücken der Taste zünden. Die Zyklen des Brenners kontrollieren.

Wenn der brenner nicht zündet :

- Schalter, Thermostate, Motor und Gasdruck kontrollieren.
- Der Brenner führt eine Vorventilation durch und bleibt am Ende des Zyklusses stehen:
 - Luftdruck und Gebläse kontrollieren.
 - Luftdruckwächter kontrollieren.

Der brenner führt die vorventilation durch und zündet nicht:

- Montage und Position der Elektroden kontrollieren.
- Zündkabel kontrollieren.
- Zündtransformator kontrollieren.
- Sicherheitsvorrichtung kontrollieren.

Der brenner zündet und geht nach kurzzeit aus :

- Kontrollieren, ob Nullphase richtig angeschlossen ist.
- Gas-Magnetventil kontrollieren.
- Position und Anschluß der Meßsonde kontrollieren.
- Meßsonde kontrollieren.
- Sicherheitsvorrichtung kontrollieren.

Der brenner zündet und geht nach einigen minuten aus :

- Gasdruckregler und Filter kontrollieren.
- Gasdruck mit Manometer kontrollieren.
- Meßwert kontrollieren (min 3 µA).

Störcodetabelle

Blinkcode «rot» der Störsignalleuchte (LED)	«AL» an KI.10	Mögliche Ursache
2 blinken	Ein	Keine Flammenbildung am Ende der «TSA»- defekte oder verschmutzte Brennstoffventile - defekter oder verschmutzter Flammenfühler - schlechte Brennereinstellung, kein Brennstoff - defekte Zündeinrichtung
3 blinken	Ein	Fehler «LP» - Luftdruckausfall nach Ablauf «t10», - «LP» verschleißt in Ruheposition
4 blinken	Ein	Fremdlicht beim Brennerstart
5 blinken	Ein	Zeitüberwachung «LP» - «LP» verschleißt in Arbeitsposition
6 blinken	Ein	Frei
7 blinken	Ein	Flammenabriss während des Betriebs zu häufig (Repetitionsbegrenzung) - defekte oder verschmutzte Brennstoffventile - defekter oder verschmutzter Flammenfühler - schlechte Brennereinstellung
8 blinken	Ein	Frei
9 blinken	Ein	Frei
10 blinken	Aus	Verdrahtungsfehler oder interner Fehler, Ausgangskontakte, sonstige Fehler
14 blinken	Ein	CPI-Kontakt nicht geschlossen

Overview - Gas pressure loss diagrams / Panoramica - Diagramma perdita di pressione / Vue d'ensemble - Diagrammes perte de pression de gaz / Descripción - Diagramas de pérdida de presión / Обзор - Диарамма перепада давления газов / Überblick - Druckverlust-Diagramm

Burner Bruciatore Brûleur Quemador Горелок Natural Gas	Gas train Rampa gas Rampe gaz Rampa de gas Газовая рампа	Advisable gas governor & filter Stabilizzatore e Filtro Gaz recommandé régulateur et filtre Aconsejable de regulador de presión y el filtro Рекомендуемые газовые регуляторы и фильтры	Spring color Colore molla Couleur du ressort color de resorte Цвет пружины	Inlet gas pressure MIN [mbar] Pressione ingresso gas MIN [mbar] Pression du gaz d'entrée MIN [mbar] Presión de gas de entrada MIN [mbar] Давление газа вход МИН [мбар]	Inlet gas pressure MAX [mbar] Pressione ingresso gas MAX [mbar] Pression du gaz d'entrée MAX [mbar] Presión de gas de entrada MAX [mbar] Давление газа вход МАКС [мбар]	Diagram Diagramma Diagramme Diagrama Диаграмма	
BLU 700.1 LN	MBDLE 420	included	-	18	360	1	
	MBDLE 415	included	-	25	360		
	MBDLE 412	included	-	45	360		
	MBDLE 410	included	-	75	360		
	VCS 350 2"	FSDC / FSDR 2"	green	15	200 / 500	7	
	VCS 240 1"1/2	FSDC / FSDR 1"1/2	neutral	30	200 / 500	8	
	VCS 125 1"	FSDR 1"	yellow	175	500		
BLU 1000.1	MBDLE 420	included	-	28	360	2	
	MBDLE 415	included	-	36	360		
	MBDLE 412	included	-	75	360		
	VCS 350 2"	FSDC / FSDR 2"	neutral	25	200 / 500	9	
	VCS 240 1"1/2	FSDC / FSDR 1"1/2	violey	55	200 / 500		
	VCS 125 1"	FSDR 1"1/2	blue	170	500		
BLU 1000.1 LN	MBDLE 420	included	-	35	360	4	
	MBDLE 415	included	-	40	360		
	MBDLE 412	included	-	75	360		
	VCS 350 2"	FSDC / FSDR 2"	neutral	30	200 / 500	12	
	VCS 240 1"1/2	FSDC / FSDR 1"1/2	violey	50	200 / 500		
	VCS 125 1"	FSDR 1"1/2	blue	150	500		
BLU 1200.1	VGD 20.503	no	neutral	25	500	3	
		FILTER 2"	neutral	28	500		
	MBDLE 420	included	-	40	360		
	MBDLE 415	included	-	52	360		
	MBDLE 412	included	-	105	360		
	VCS 350 2"	FSDC / FSDR 2"	neutral	35	200 / 500		11
	VCS 240 1"1/2	FSDC / FSDR 1"1/2	violey	80	200 / 500		
BLU 1200.1 LN	VGD 20.503	no	neutral	18	500	5	
		FILTER 2"	neutral	25	500		
	MBDLE 420	included	-	35	360		
	MBDLE 415	included	-	45	360		
	MBDLE 412	included	-	85	360		
	VCS 350 2"	FSDC / FSDR 2"	neutral	35	200 / 500		14
	VCS 240 1"1/2	FSDC / FSDR 1"1/2	violey	70	200 / 500		

Overview - Gas pressure loss diagrams / Panoramica - Diagramma perdita di pressione / Vue d'ensemble - Diagrammes perte de pression de gaz / Descripción - Diagramas de pérdida de presión / Обзор - Диаграмма перепада давления газов / Überblick - Druckverlust-Diagramm

! PRESSURE DROP includes: "COMBUSTION HEAD + GAS TRAIN + GAS GOVERNOR & FILTER" as per EN676 Standard.

Back pressure of boiler (or other applications) must be added/included in order to have the total min pressure drop.

Le PERDITE DI PRESSIONE includono: "TESTA DI COMBUSTIONE + RAMPA GAS + STABILIZZATORE & FILTRO" come da standard EN676. La contropressione della caldaia (o altre applicazioni) deve essere aggiunta / inclusa per avere la caduta di pressione totale min.

La CHUTE DE PRESSION comprend : "TETE DE COMBUSTION + RAMPE DE GAZ + REGULATEUR DE GAZ ET FILTRE" conformément à la norme EN676. La contrepession de la chaudière (ou d'autres applications) doit être ajoutée /incluse afin d'avoir la chute totale de pression min.

LA CAÍDA DE PRESIÓN incluye: "CABEZA COMBUSTIÓN + RAMPA DE GASES + REGULADOR GAS Y FILTRO según la norma EN 676.

La contrapresión de la caldera (o de otras aplicaciones) puede adicionarse/incluirse para obtener la caída de presión mínima total.

ПАДЕНИЕ ДАВЛЕНИЯ включает в себя: "ГОЛОВКА СГОРАНИЯ + ГАЗОВАЯ РАМПА + ГАЗОВЫЙ РЕГУЛЯТОР И ФИЛЬТР" согласно стандарту EN676. Противодавление котла (или других устройств) должно быть добавлено/включено для получения минимального падения давления.

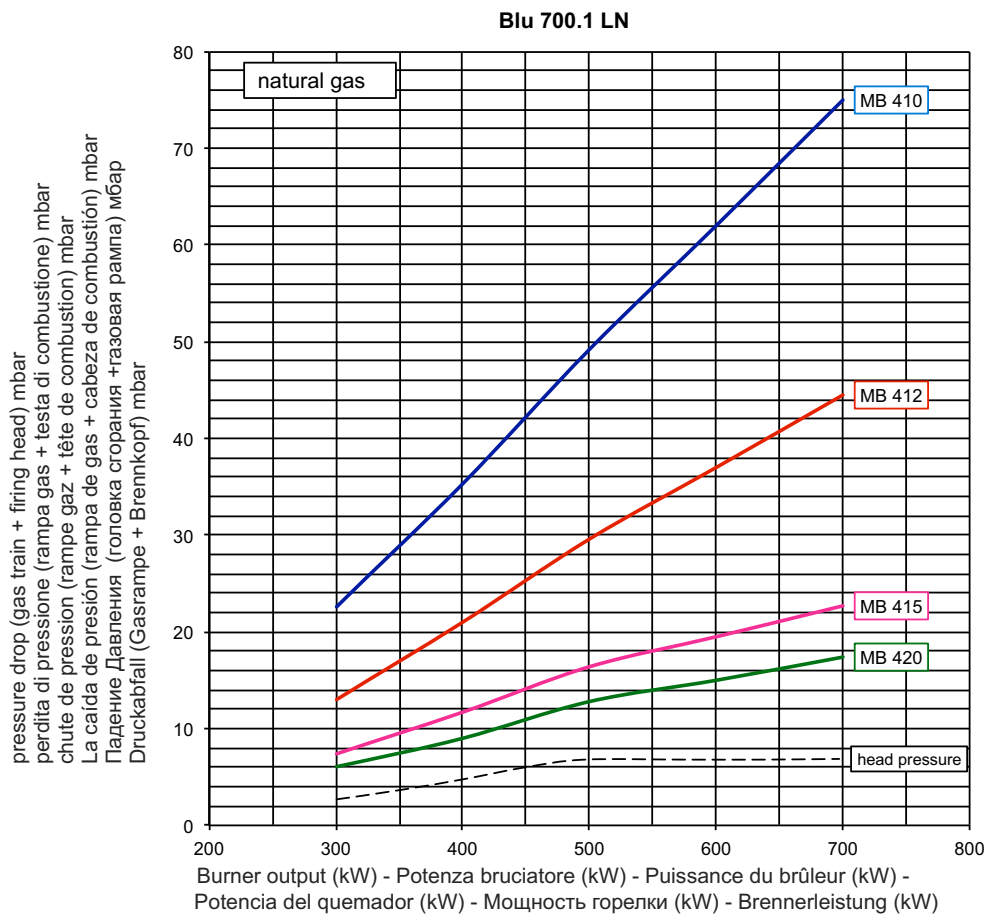
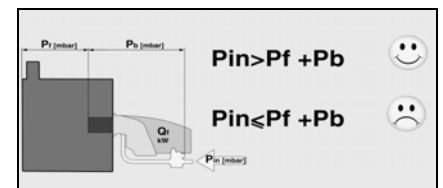
Die DRUCKVERLUSTE umfassen: "VERBRENNUNGSKOPF + GASSTRECKE + STABILISATOR & FILTER" laut Standard EN676. Der Gegendruck des Heizkessels (oder anderer Anwendungen) muss hinzugefügt/eingeschlossen werden, um den minimalen Gesamtdruckabfall zu erhalten.

LEGENDA / УСЛОВНЫЕ ОБОЗНАЧЕНИЯ/ LEGENDE

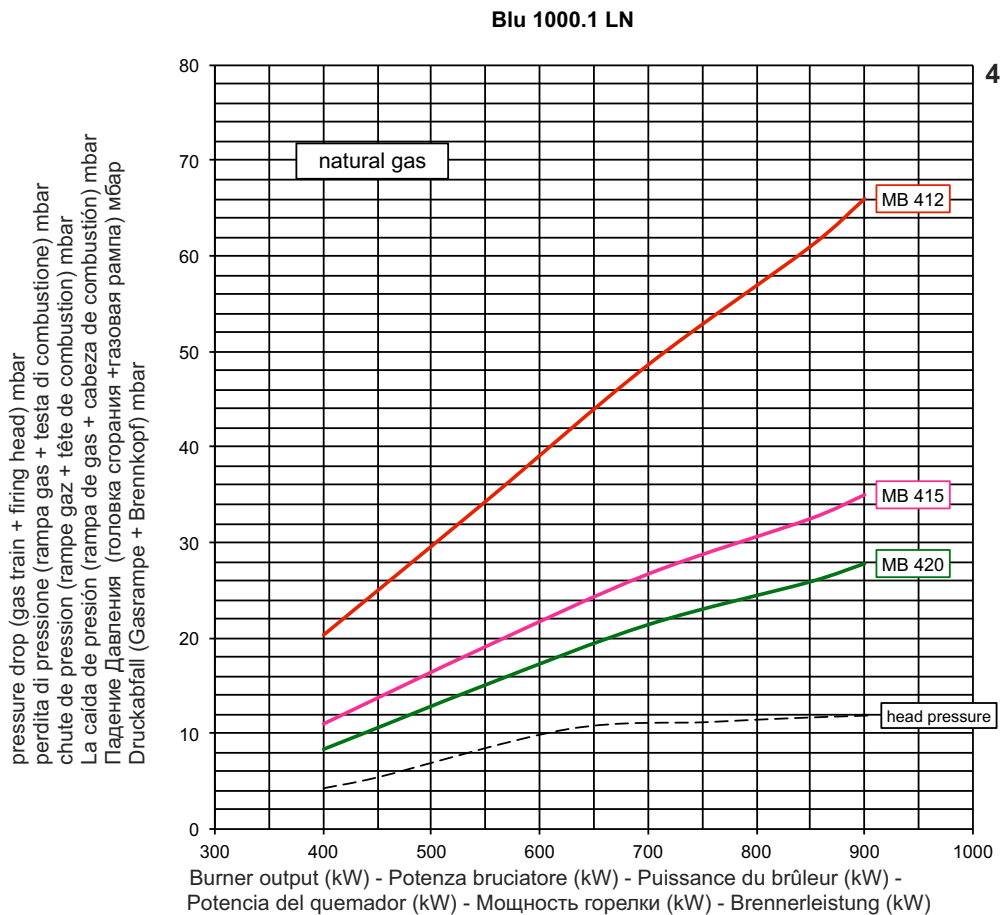
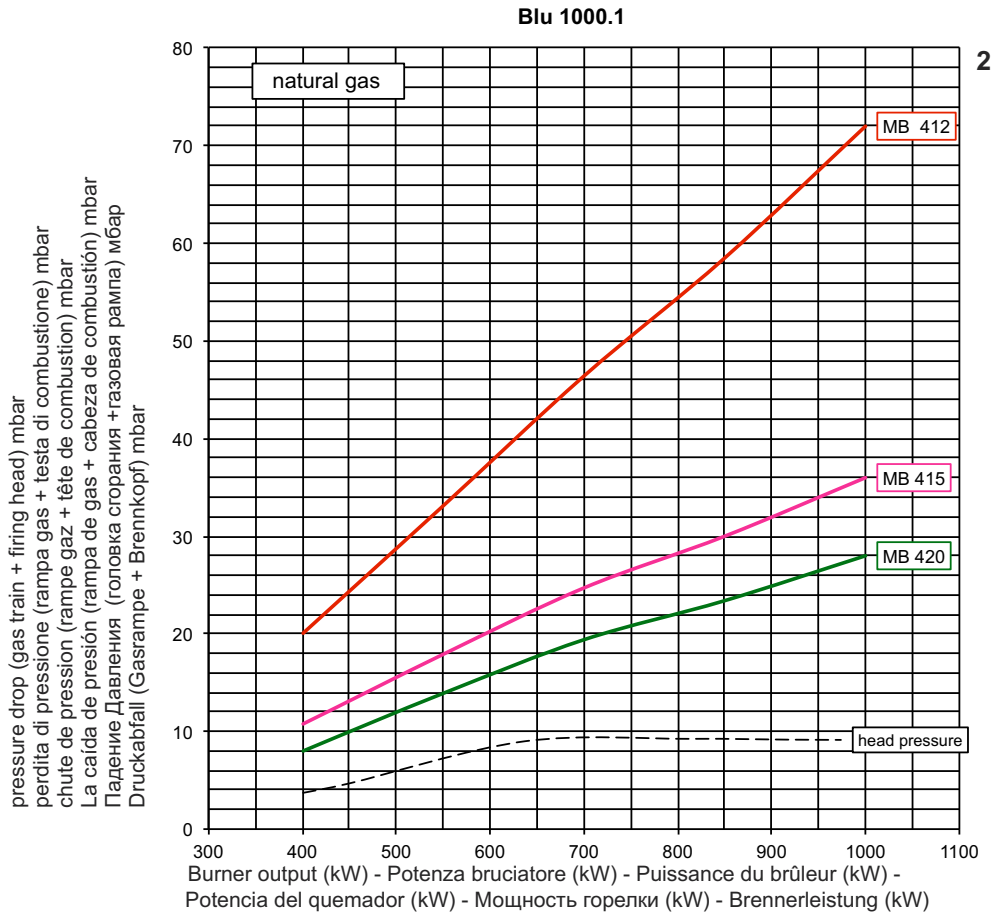
Pf: Back pressure of furnace / Contropressione al focolare / retour pression du chambre de combustion / Contra presión del horno / Противодавление в топке / Feuerraumwiderstand.

Pb: Pressure of burner (combustion head + complete gas train) / Pressione gas bruciatore (testa di combustione + rampa gas) / pression du brûleur (tête de combustion + rampe gaz complète) / Presión del quemador (Cabeza de combustión + Rampa de gas completa) / Газовое давление горелки (головка сгорания + газовая рампа) / Brennergasdruckverlust (Druckverlust des Mischkopfs und der gesamten Gasrampe).

Pin: Minimum inlet pressure / Pressione minima di alimentazione / la pression d'entrée minimale / Presión mínima de entrada / Минимальное давление питания / minimaler Gasanschlussdruck.

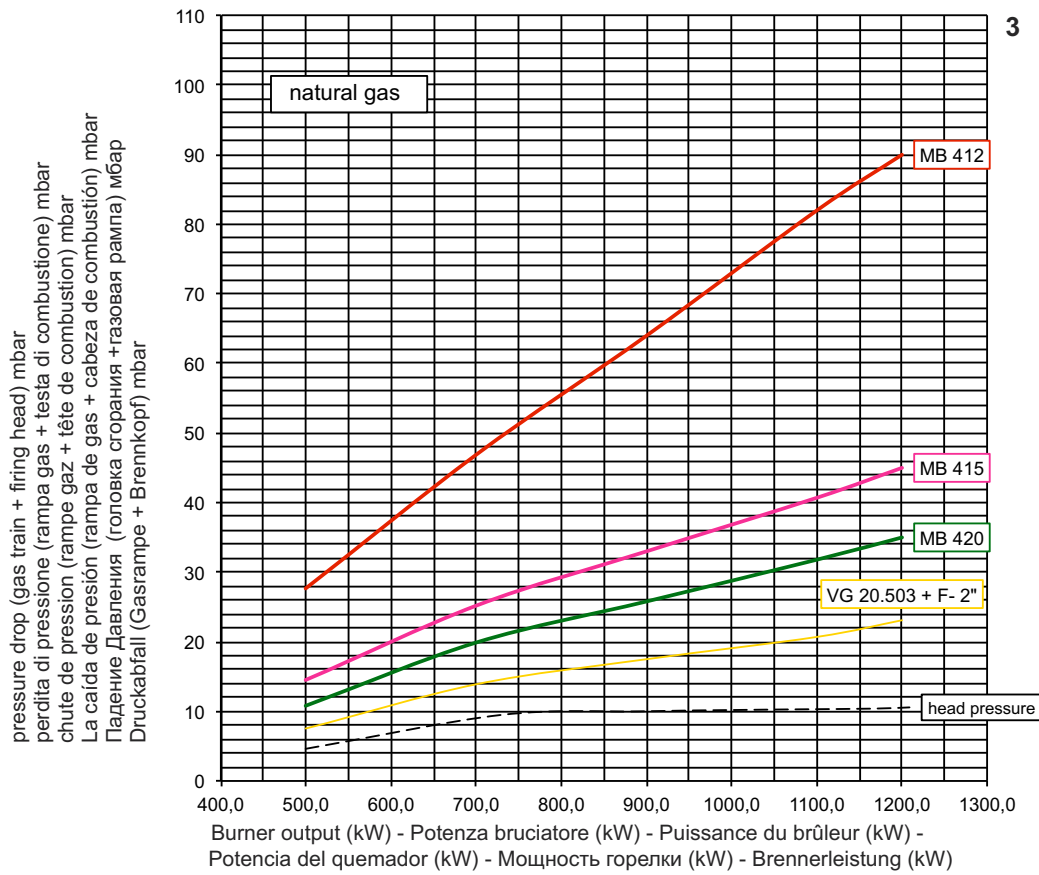


Overview - Gas pressure loss diagrams / Panoramica - Diagramma perdita di pressione / Vue d'ensemble - Diagrammes perte de pression de gaz / Descripción - Diagramas de pérdida de presión / Обзор - Диарамма перепада давления газов / Überblick - Druckverlust-Diagramm

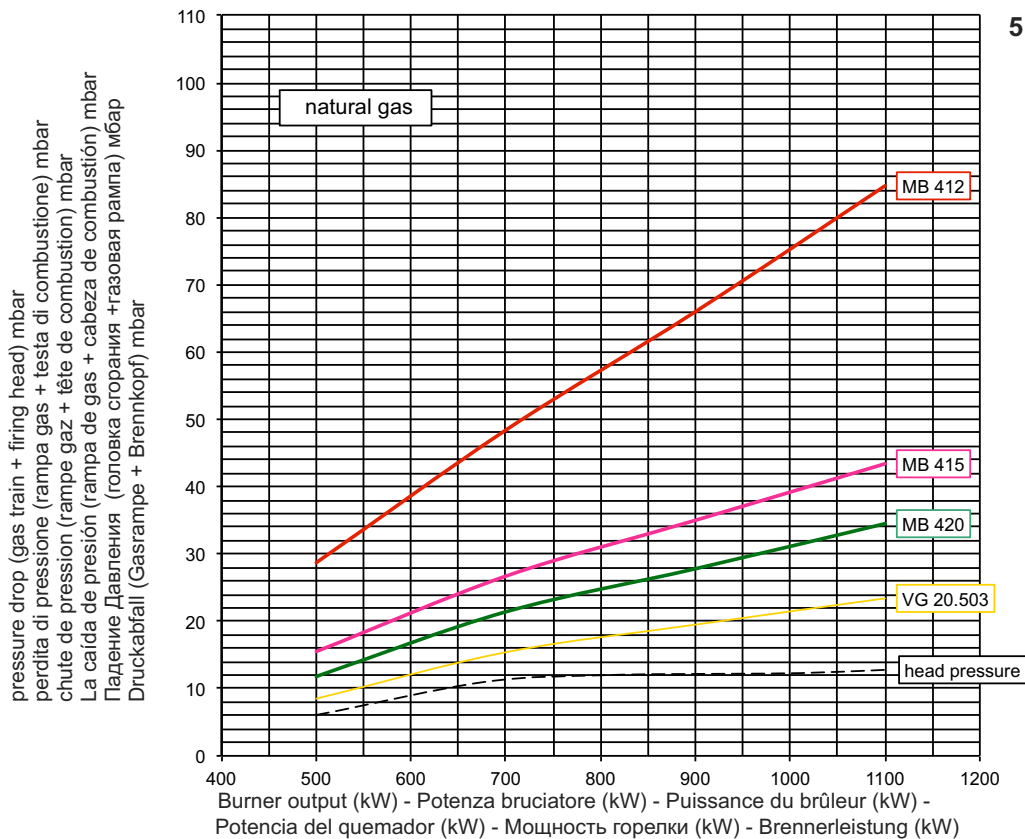


Overview - Gas pressure loss diagrams / Panoramica - Diagramma perdita di pressione / Vue d'ensemble - Diagrammes perte de pression de gaz / Descripción - Diagramas de pérdida de presión / Обзор - Диаграмма перепада давления газов / Überblick - Druckverlust-Diagramm

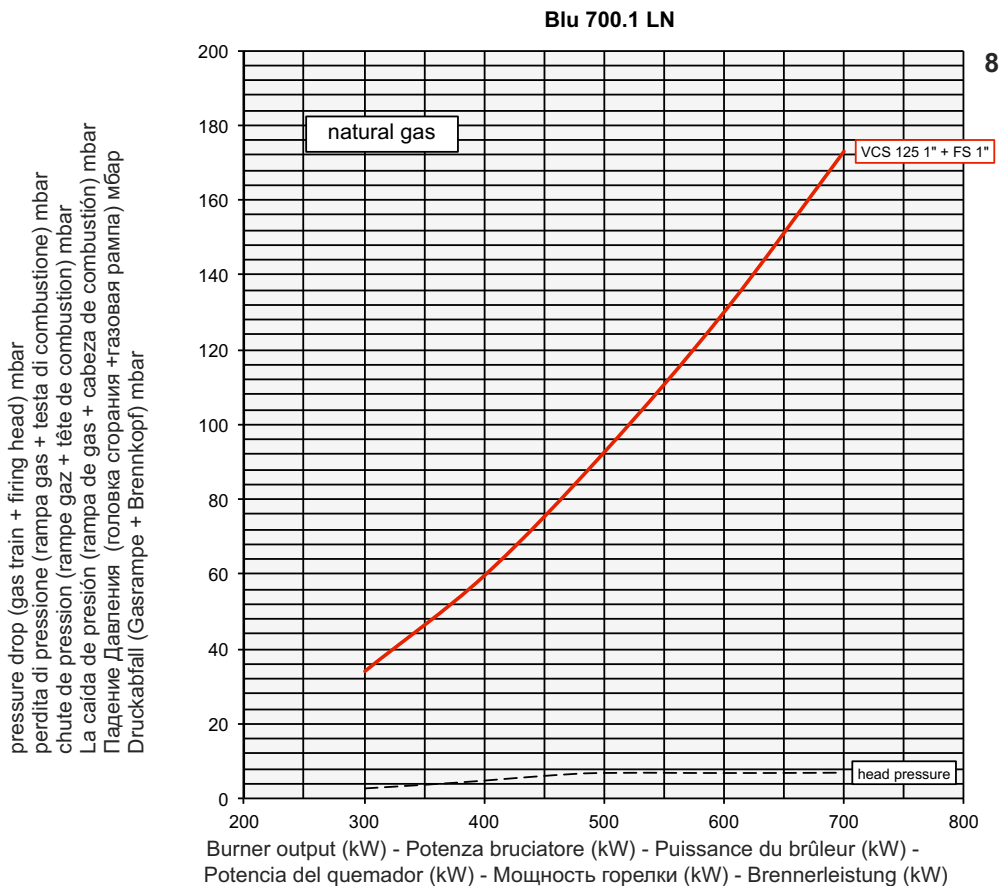
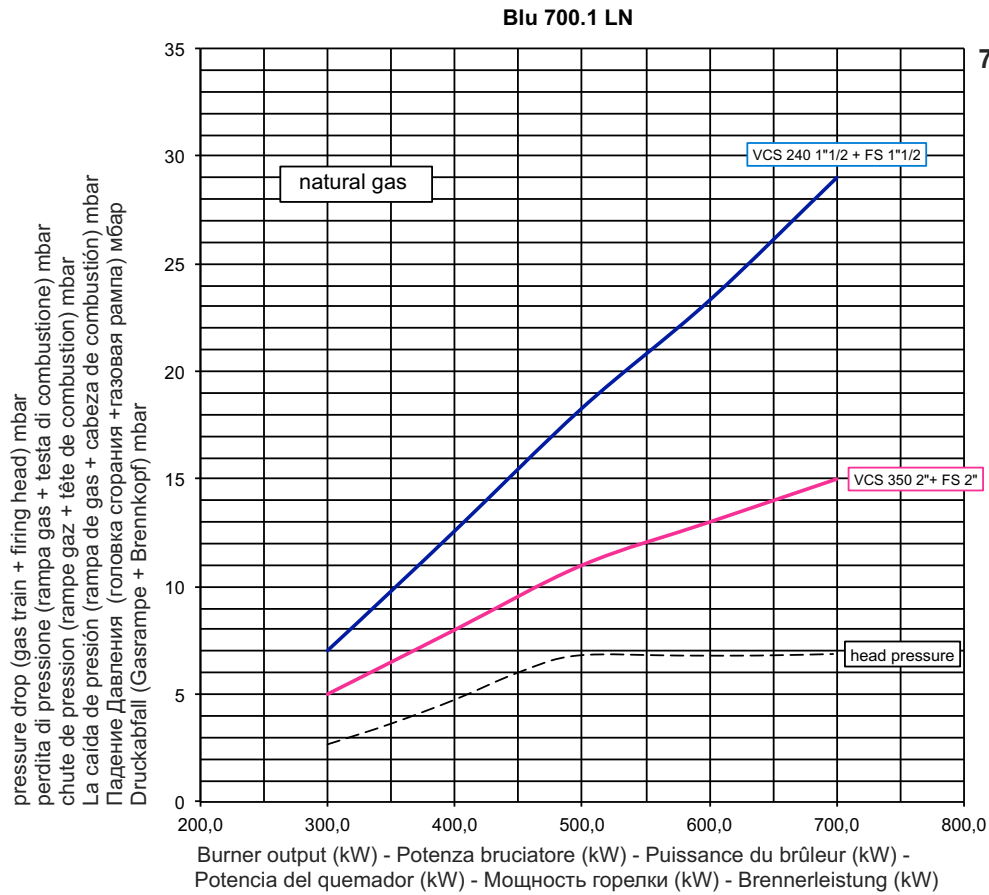
Blu 1200.1



Blu 1200.1 LN

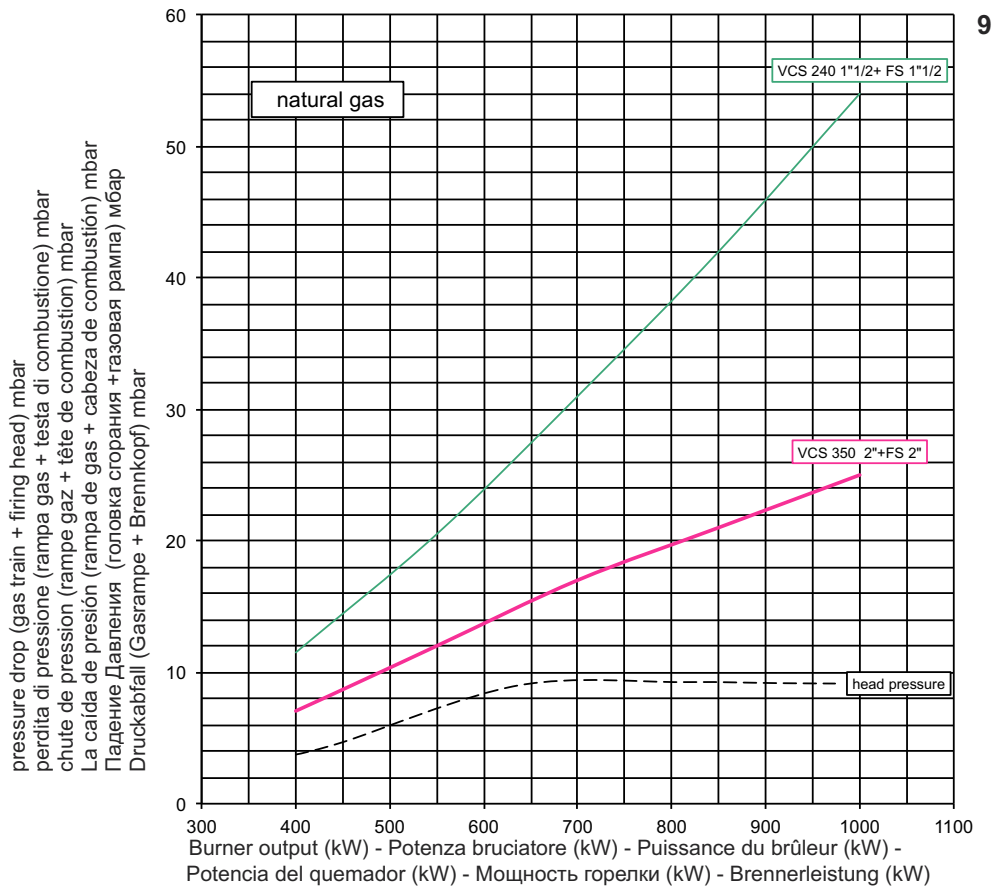


Overview - Gas pressure loss diagrams / Panoramica - Diagramma perdita di pressione / Vue d'ensemble - Diagrammes perte de pression de gaz / Descripción - Diagramas de pérdida de presión / Обзор - Диарамма перепада давления газов / Überblick - Druckverlust-Diagramm



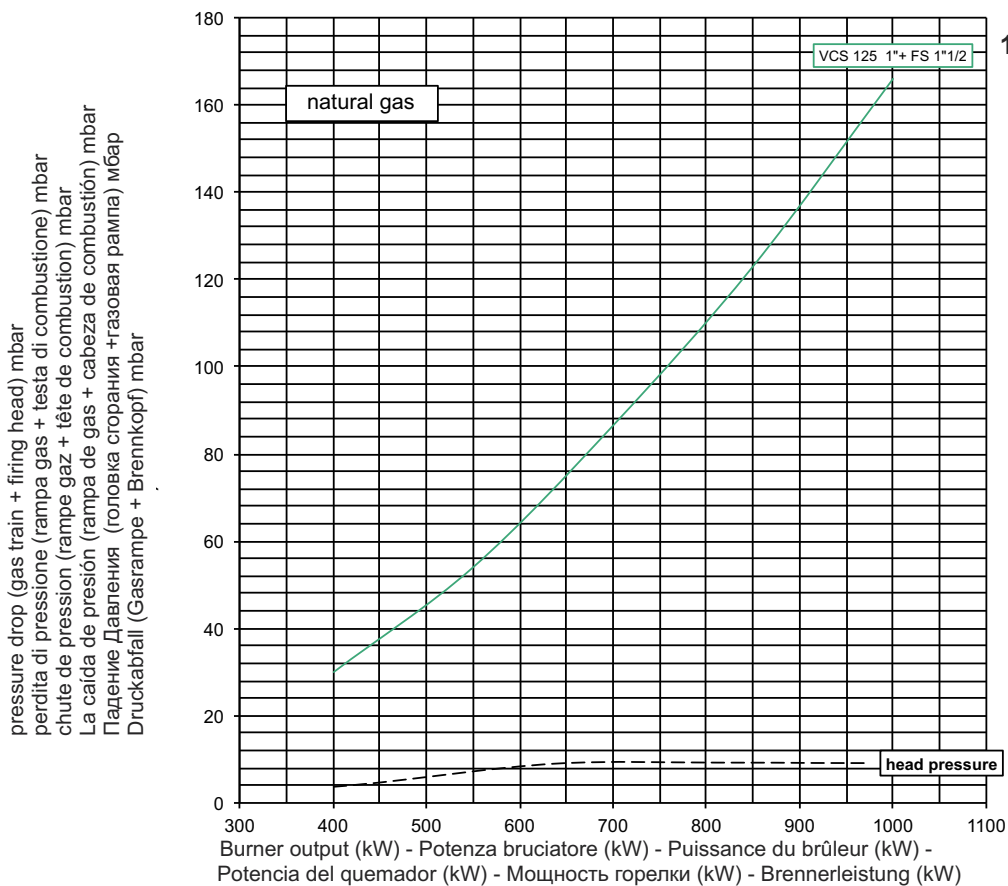
Overview - Gas pressure loss diagrams / Panoramica - Diagramma perdita di pressione / Vue d'ensemble - Diagrammes perte de pression de gaz / Descripción - Diagramas de pérdida de presión / Обзор - Диарамма перепада давления газов / Überblick - Druckverlust-Diagramm

Blu 1000.1



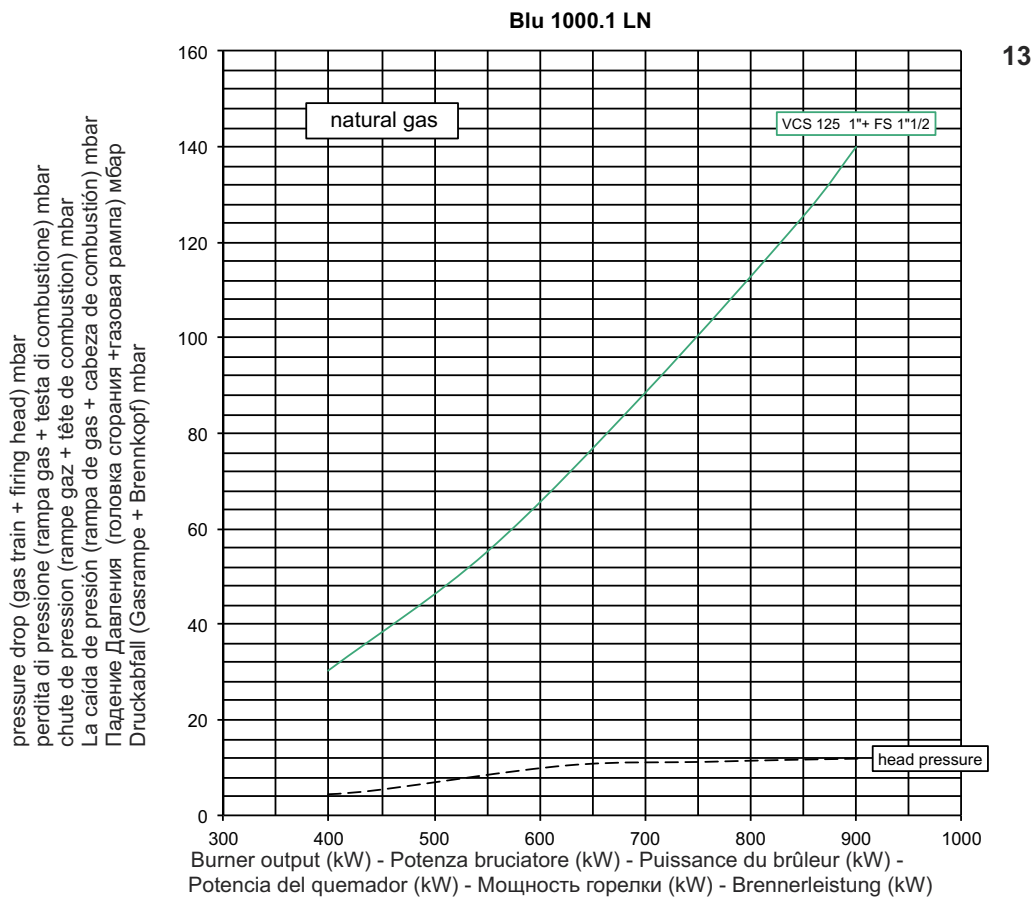
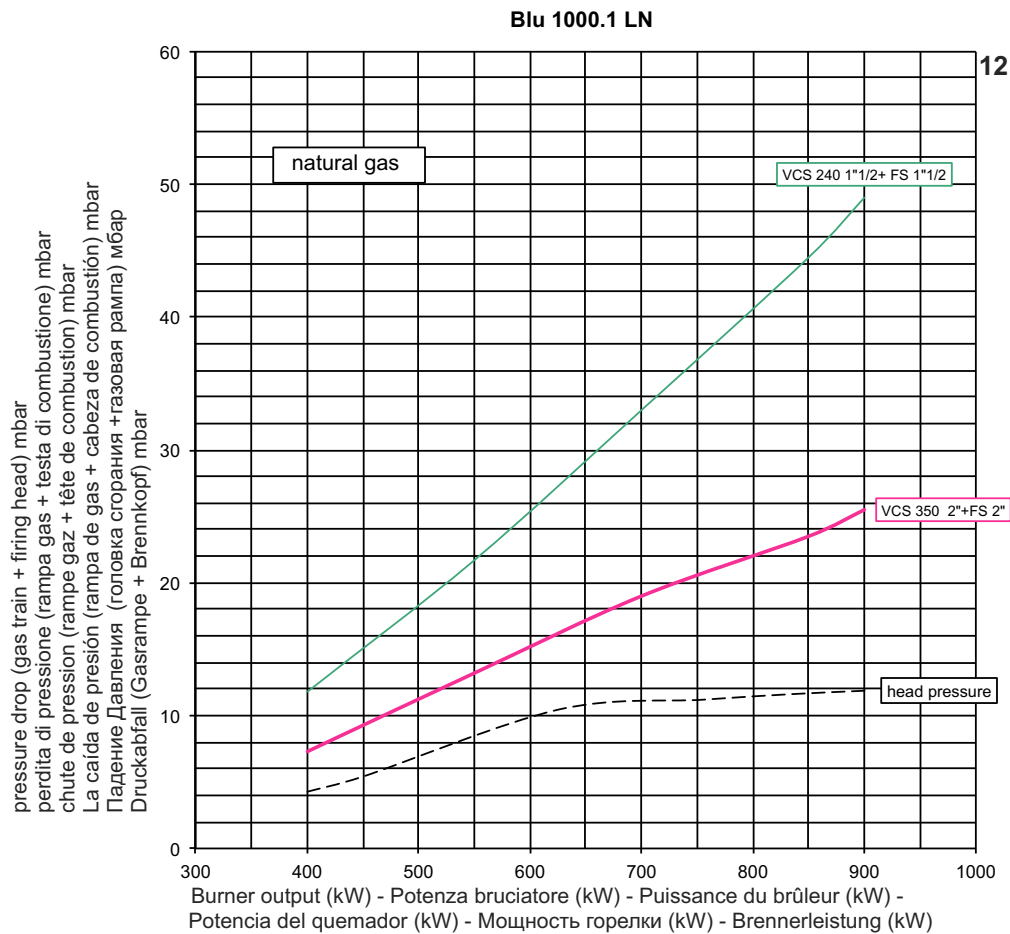
9

Blu 1000.1

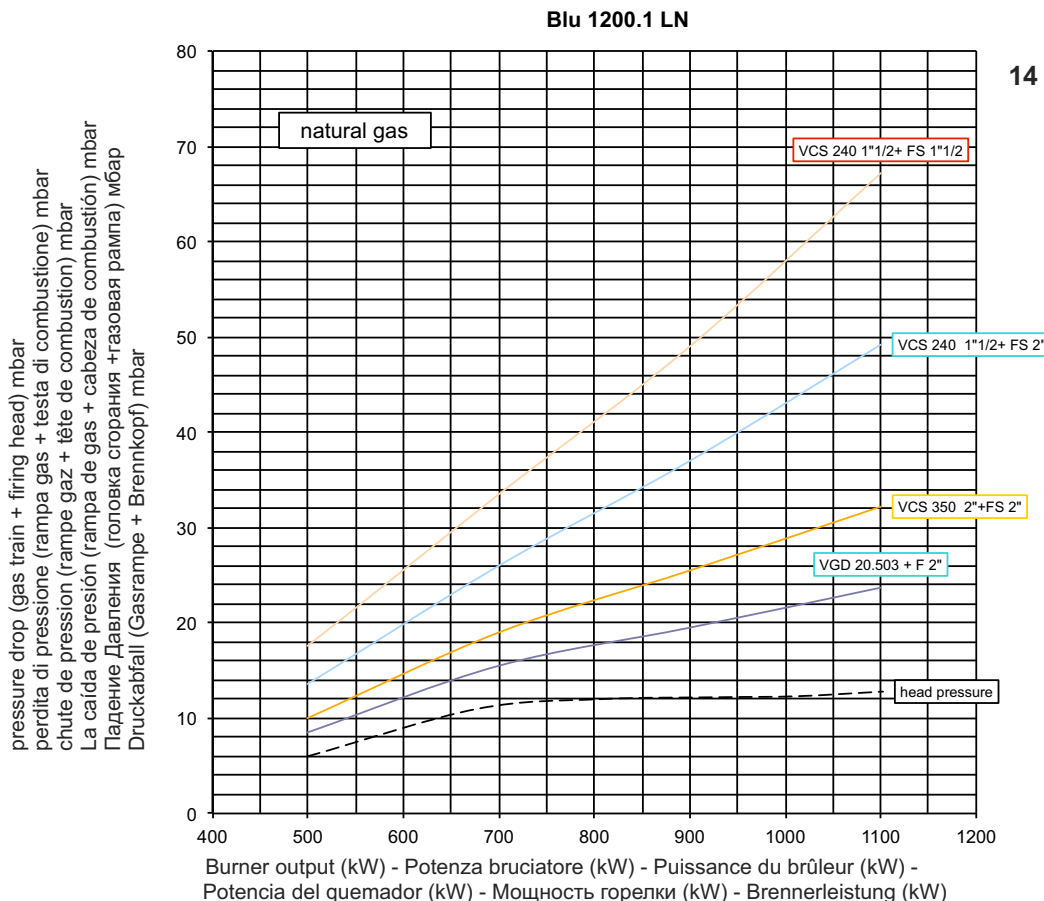
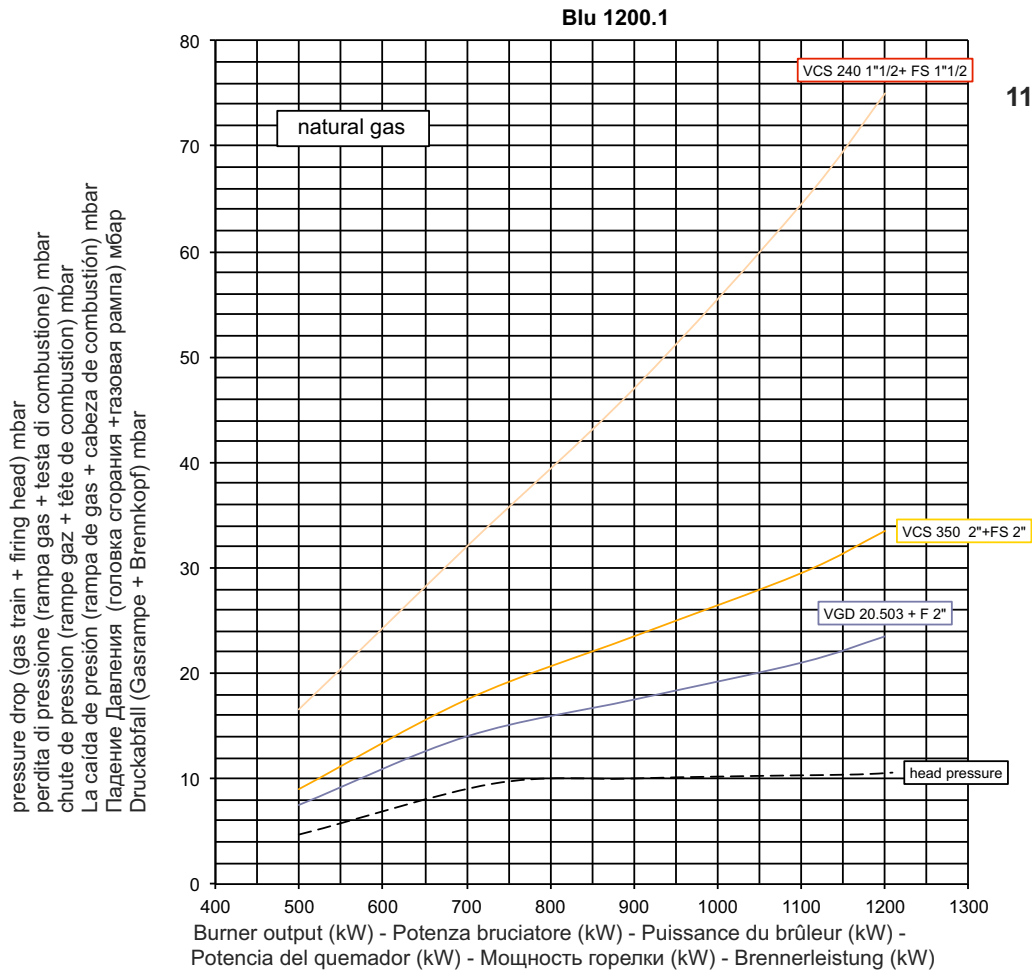


10

Overview - Gas pressure loss diagrams / Panoramica - Diagramma perdita di pressione / Vue d'ensemble - Diagrammes perte de pression de gaz / Descripción - Diagramas de pérdida de presión / Обзор - Диарамма перепада давления газов / Überblick - Druckverlust-Diagramm

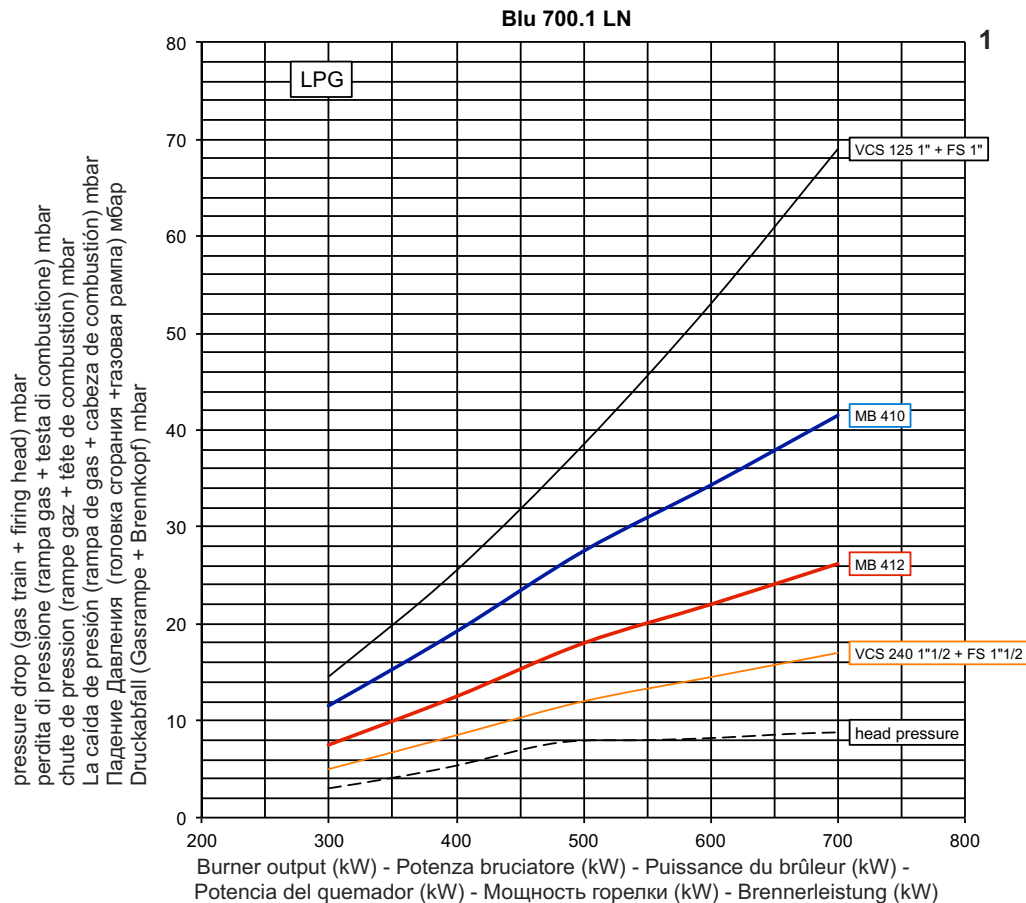


Overview - Gas pressure loss diagrams / Panoramica - Diagramma perdita di pressione / Vue d'ensemble - Diagrammes perte de pression de gaz / Descripción - Diagramas de pérdida de presión / Обзор - Диарамма перепада давления газов / Überblick - Druckverlust-Diagramm

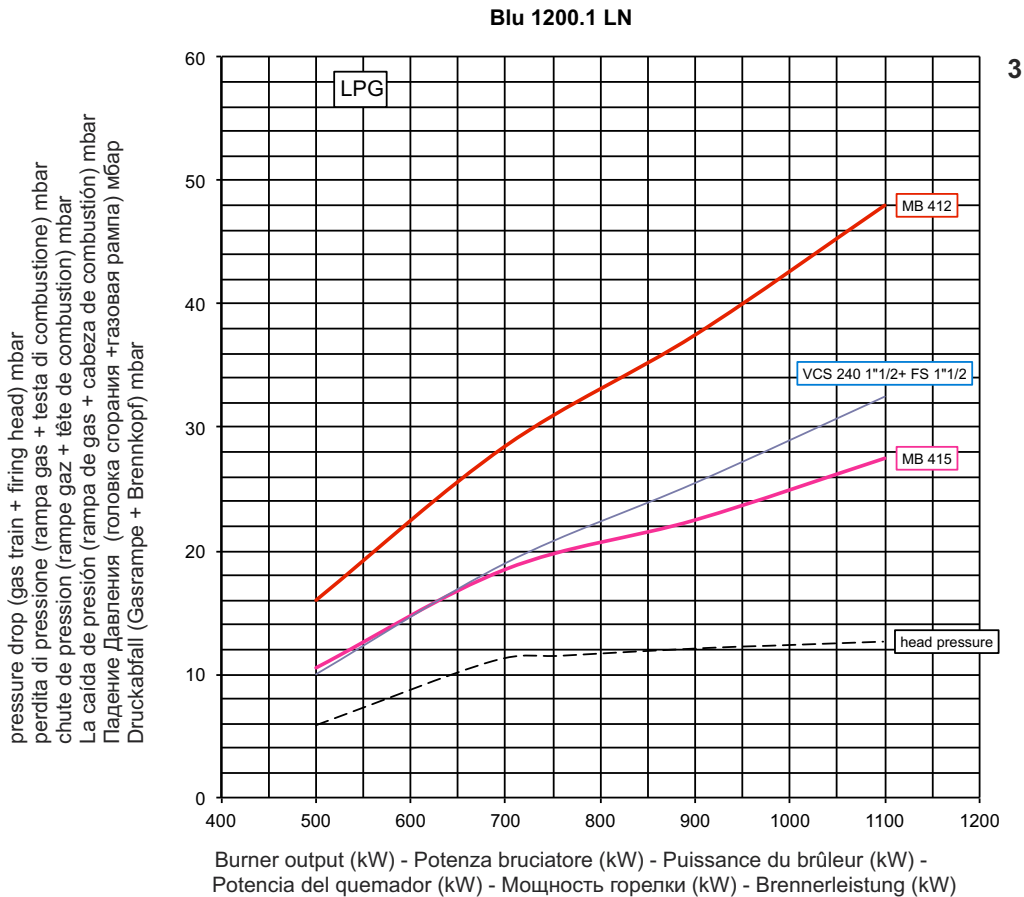
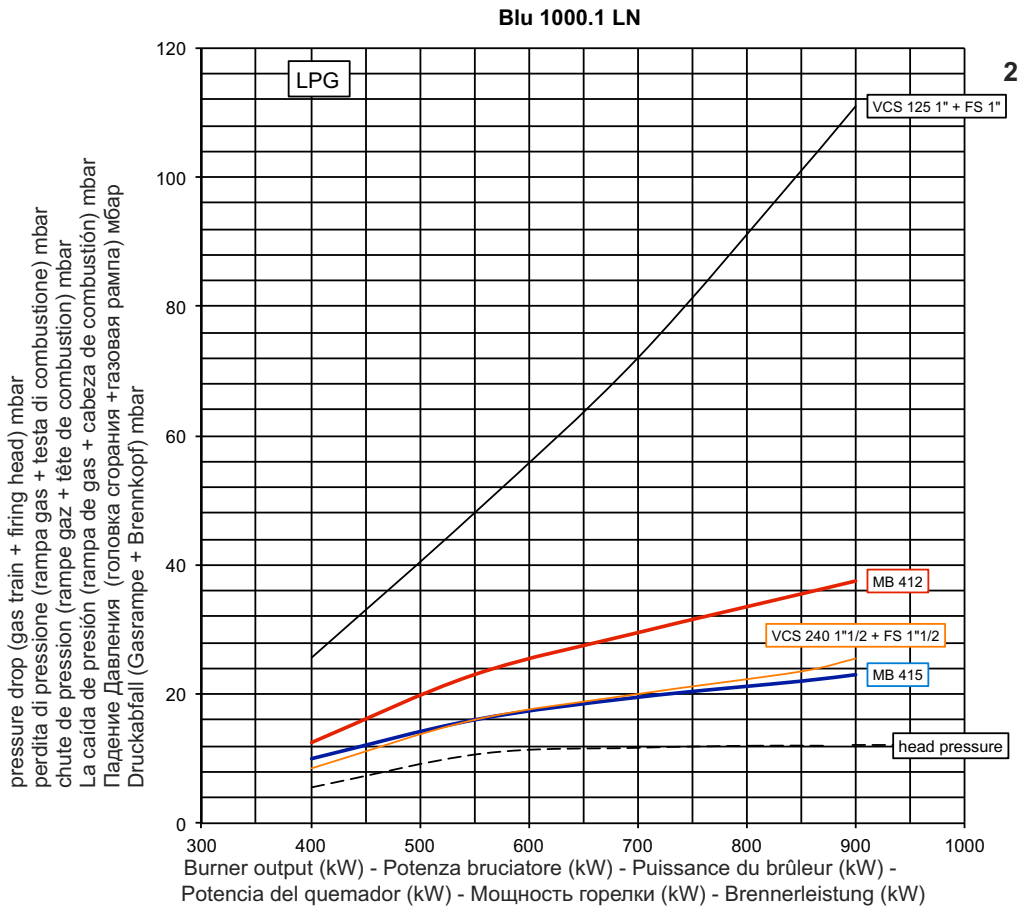


Overview - Gas pressure loss diagrams / Panoramica - Diagramma perdita di pressione / Vue d'ensemble - Diagrammes perte de pression de gaz / Descripción - Diagramas de pérdida de presión / Обзор - Диаграмма перепада давления газов / Überblick - Druckverlust-Diagramm

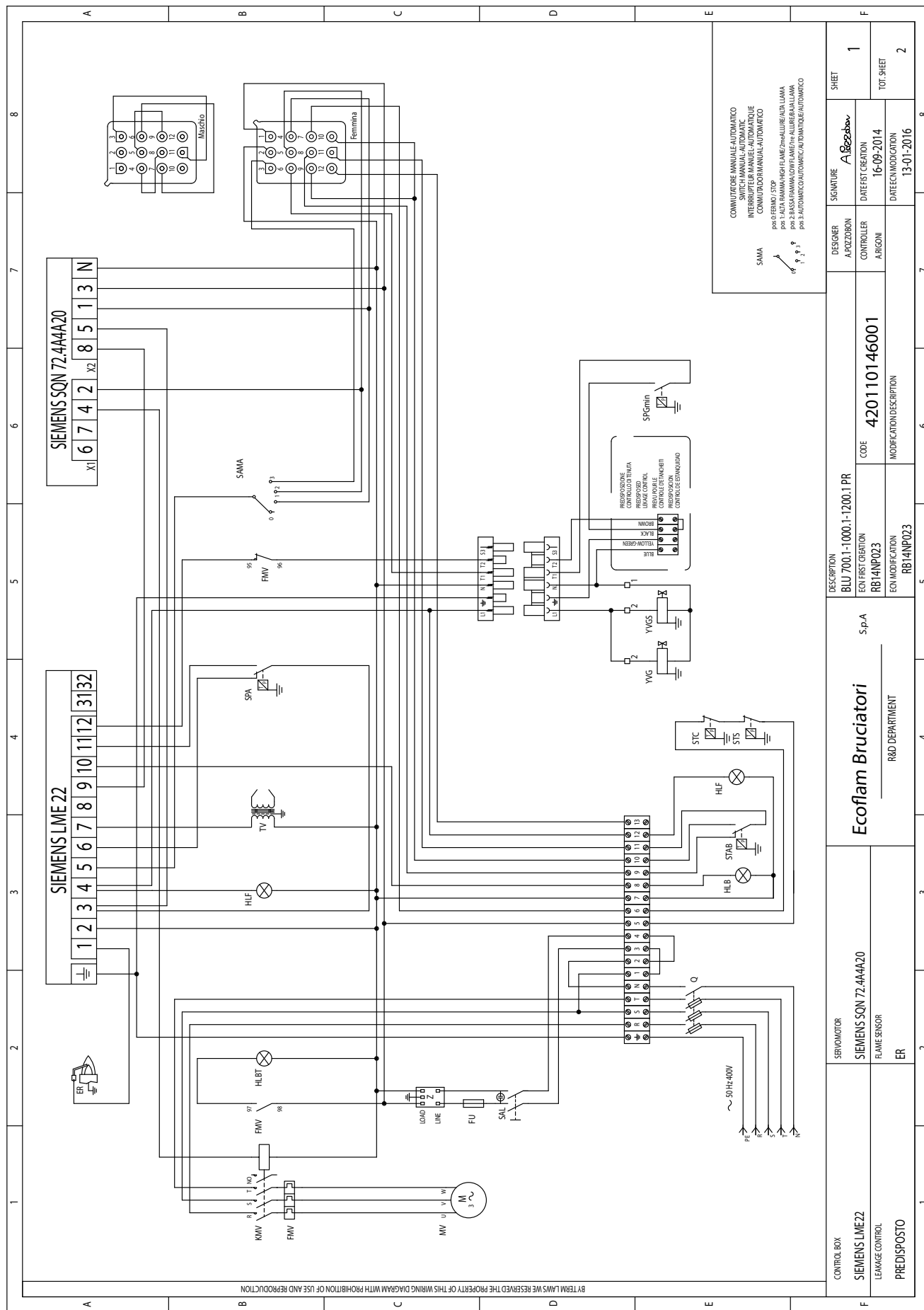
Burner Bruciatore Brûleur Queimador Горелок LPG	Gas train Rampa gas Rampe gaz Rampa de gas Газовая рампа	Advisable gas governor & filter Stabilizzatore e Filtro Gaz recommandé régulateur et filtre Aconsejable de regulador de presión y el filtro Рекомендуемые газовые регуляторы и фильтры	Spring color Colore molla Couleur du ressort color de resorte Цвет пружины	Inlet gas pressure MIN [mbar] Pressione ingresso gas MIN [mbar] Pression du gaz d'entrée MIN [mbar] Presión de gas de entrada MIN [mbar] Давление газа вход МИН [мбар]	Inlet gas pressure MAX [mbar] Pressione ingresso gas MAX [mbar] Pression du gaz d'entrée MAX [mbar] Presión de gas de entrada MAX [mbar] Давление газа вход МАКС [мбар]	Diagram Diagramma Diagramme Diagrama Диаграмма
BLU 700.1 LN	MBDLE 412	included	-	30	360	1
	MBDLE 410	included	-	45	360	
	VCS 240 1"1/2	FSDC / FSDR 1"1/2	green	17	200 / 500	
	VCS 125 1"	FSDC / FSDR 1"	red	70	200 / 500	
BLU 1000.1 LN	MBDLE 415	included	-	25	360	2
	MBDLE 412	included	-	40	360	
	VCS 240 1"1/2	FSDC / FSDR 1"1/2	neutral	30	200 / 500	
	VCS 125 1"	FSDC / FSDR 1"	red	120	200 / 500	
BLU 1200.1 LN	MBDLE 415	included	-	30	360	3
	MBDLE 412	included	-	50	360	
	VCS 240 1"1/2	FSDC / FSDR 1"1/2	green	35	200 / 500	



Overview - Gas pressure loss diagrams / Panoramica - Diagramma perdita di pressione / Vue d'ensemble - Diagrammes perte de pression de gaz / Descripción - Diagramas de pérdida de presión / Обзор - Диарамма перепада давления газов / Überblick - Druckverlust-Diagramm



Overview - Electric diagrams / Panoramica - Schemi elettrici / Vue d'ensemble - Schémas électrique / Descripción - Esquemas eléctrico /
Обзор - Электрические схемы



COMUTATORE MANUALE AUTOMATICO SWITCH MANUAL-AUTOMATICO INTERSELEZIONATORE COMUTADOR MANUAL-AUTOMATICO	DESIGNER A. POZZOBON	SIGNATURE A. Pozzobon	SHEET 1
pos. 0: FERMO / STOP pos. 1: ALTA FANALMA / HIGH FLAME / ALLURE / ALTA LLAMA pos. 2: BASSA FANALMA / LOW FLAME / ALLURE BASSA LLAMA pos. 3: AUTOMATICO / AUTOMATIC / AUTOMATICO / AUTOMATICO	CONTROLLER ARIGNONI	DATE/FIRST CREATION 16-09-2014	TOT SHEET 2
	DESCRIPTION BLU 7000.1-1000.1-1200.1 PR ECON FIRST CREATION RB14NP023	CODE 420110146001	
	ECN MODIFICATION RB14NP023	MODIFICATION/DESCRIPTION	

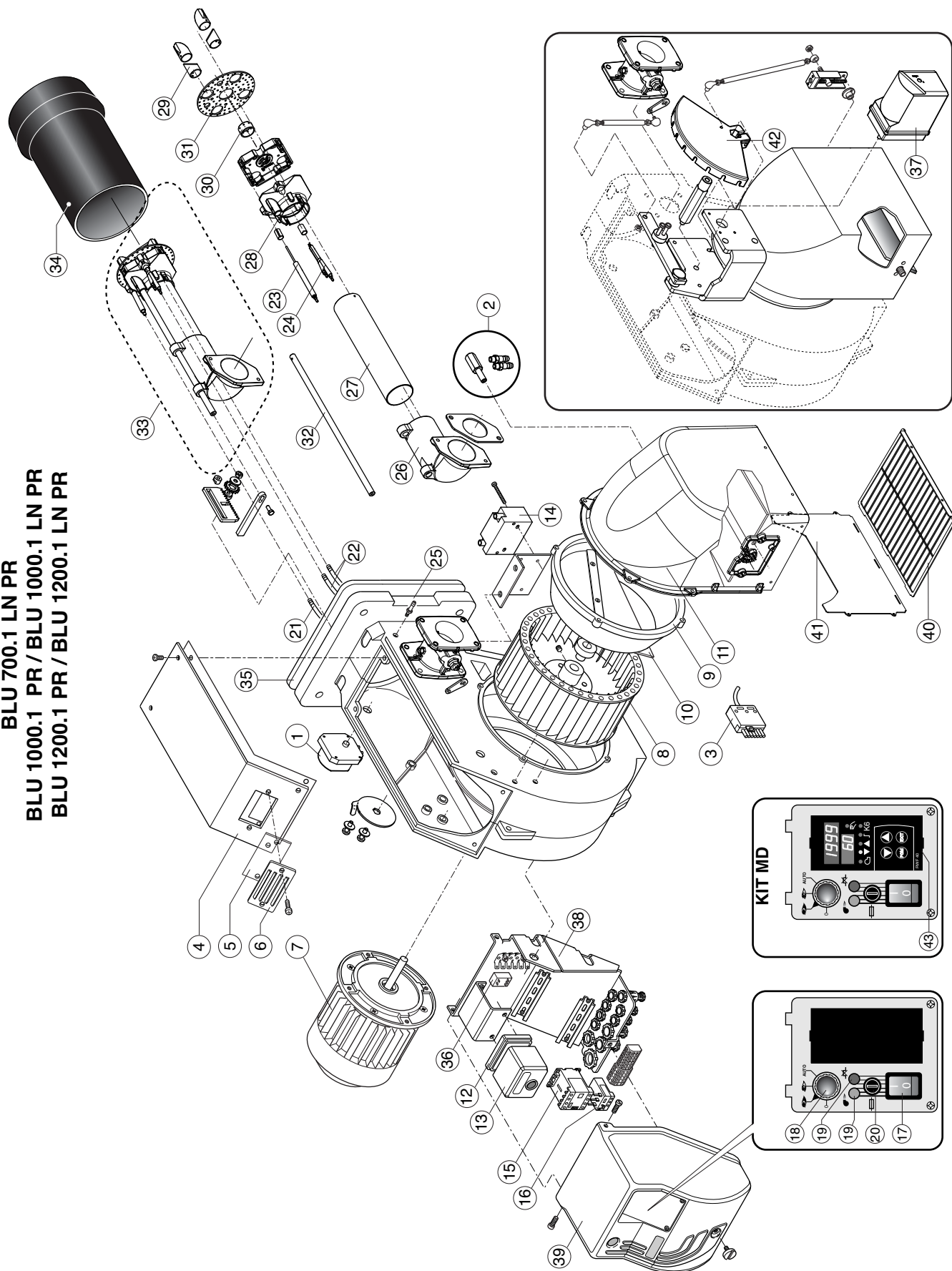
CONTROL BOX SIEMENS LME22 LEAKAGE CONTROL PREDISPOSTO	SERVOMOTOR SIEMENS SON 72.4A4A20 FLAME SENSOR ER	Ecoflam Bruciatori	
	S.p.A	DESCRIPTION BLU 7000.1-1000.1-1200.1 PR ECON FIRST CREATION RB14NP023	CODE 420110146001
	R&D DEPARTMENT	ECN MODIFICATION RB14NP023	MODIFICATION/DESCRIPTION
		DESIGNER A. POZZOBON	SIGNATURE A. Pozzobon
		CONTROLLER ARIGNONI	DATE/FIRST CREATION 16-09-2014
			DATE/ECN MODIFICATION 13-01-2016
			TOT SHEET 2

Overview - Electric diagrams / Panorámica - Schemi elettrici / Vue d'ensemble - Schémas électrique / Descripción - Esquemas eléctrico /
Обзор - Электрические схемы

1	2	3	4	5	6	7	8
A	B	C	D	E			
B TERM. LAWS WE RESERVE THE PROPERTY OF THIS WIRING DIAGRAM WITH PROHIBITION OF USE AND REPRODUCTION							
Q	INTERRUPTORE GENERALE CON FUSIBILE MAIN SWITCH WITH FUSE INTERRUPTEUR GENERAL AVEC FUSIBLE INTERRUPTOR GENERAL CON FUSIBLE	YVG	ELETTOVALVOLA GAS DI PRIMA FIAMMA FIRST STAGE GAS SOLENOID VALVE ELECTROVALVE GAZ PETITE ALLURE ELECTROVALVULA GAS DE 1ª LLAMA				
Z	FILTRO ANTIDISTURBO FILTER ANTI-SPARKS FILTRO DE PROTECCION ANTIDISTURBO	YVGS	ELETTOVALVOLA GAS DISCORREZZA HIGH-LOW FLAME THERMOSTAT ELECTROVALVE GAZ DE SECURITE ELECTROVALVULA GAS DE SEGURIDAD				
FU	FUSIBILE FUSE FUSIBLE	SPGmin	PRESSOSTATO GAS DI MINIMA GAS PRESSURE SWITCH MIN PRESSOSTATO GAZ DE MINIMA POT. PRESSOSTATO GAS DE MINIMARIO				
MV	MOTORE VENTILATORE MOTOR FAN MOTEUR VENTILATEUR MOTOR VENTILADOR	HLF	LAMPADA DI FUNZIONAMENTO WORKING LAMP LAMPE DE FONCTIONNEMENT ESP/LA DE FUNCIONAMIENTO				
TV	TRASFORMATTORE IGNITION TRANSFORMER TRANSFORMATEUR D'ALLUMAGE TRANSFORMADOR						
ER	ELETTRODO DI RIRIELAZIONE IONISATION PROBE ELECTRODE D'IONISATION ELECTRODO DE IONIZACION						
FMV	RELE TERMICO MOTORE VENTILATORE MOTOR THERMAL RELAY (FAN MOTOR) RELAIS THERMIQUE MOTEUR VENTILATEUR RELE TERMICO MOTOR VENTILADOR						
HLB	LAMPADA DI BLOCCO LOCK-OUT LAMP LAMPE DE SECURITE ESP/LA DE BLOQUEO						
KMV	CONTRORE MOTORE VENTILATORE REMOTE CONTROL SWITCH (FAN MOTOR) CONTACTEUR MOTEUR VENTILATEUR TELERREPTOR MOTOR VENTILATOR						
SAL	INTERRUPTORE DI LINEA GAS LINE PRESSURE SWITCH INTERRUPTEUR DE LIGNE INTERRUPTOR DE LINEA						
SPA	PRESSOSTATO ARIA AIR PRESSURE SWITCH PRESSOSTATO AIRE						
STC	TERMOSTATO CALDAIA BOILER THERMOSTAT THERMOSTAT CHAUDIERE TERMOSTATO CALDERA						
STS	TERMOSTATO DI SICUREZZA SAFETY THERMOSTAT THERMOSTAT DE SECURITE TERMOSTATO DE SEGURIDAD						
HLBT	LAMPADA DI BLOCCO TERMICO THERMAL LOCK-OUT LAMP LAMPE DE THERMAL DE SECURITE ESP/LA DE BLOQUEO RELE TERMICO						
SAMA	COMUTATORE MANUALE-AUTOMATICO INTERRUPTEUR MANUEL-AUTOMATIQUE COMUTADOR MANUAL-AUTOMATICO						
STAB	TERMOSTATO DI ALTA-BASSA FIAMMA HIGH-LOW FLAME THERMOSTAT THERMOSTAT GRANDE-PETITE ALLURE TERMOSTATO DE ALTA-BAJA LLAMA						
CONTROL BOX	SERVO MOTOR	Ecoflam Bruciatori S.p.A. R&D DEPARTMENT					
SIEMENS LIME 22	SIEMENS SQN 72.4AA420	DESCRIPTION BLU 700.1-1.000.1-1.200.1 PR					
LEAKAGE CONTROL	FLAME SENSOR	ECN/FIRST CREATION RB14NP023					
PREDISPOSTO	ER	CODE 420110146001					
		SIGNATURE A. Bezzobon					
		DATE/FST CREATION 16-09-2014					
		DATE/EN MODIFICATION 13-01-2016					
		SHEET 2					
		TOT. SHEET 2					

Overview - Spare parts list / Panoramica - Parti di ricambio / Vue d'ensemble - Pièces de rechange / Descripción - Piezas de recambio /
Обзор - Запчасти / Überblick - Ersatzteilliste

BLU 700.1 LN PR
BLU 1000.1 PR / BLU 1000.1 LN PR
BLU 1200.1 PR / BLU 1200.1 LN PR



Overview - Spare parts list / Panoramica - Parti di ricambio / Vue d'ensemble - Pièces de rechange / Descripción - Piezas de recambio / Обзор - Запчасти / Überblick - Ersatzteilliste

N°	DESCRIPTION	DESIGNATION	DESCRIPCION	ОПИСАНИЕ	BESCHREIBUNG	BLU 700.T LN PR
						code
1	AIR PRESSURE SWITCH	PRESSOSTAT ARIA	PRESSOSTATO AIRE	РЕЛЕ ДАВЛЕНИЯ ВОЗДУХА	LUF DRUCKWACHTER	65323047
2	AIR INTAKE SET	GRUPPO PRESE ARIA	SET DE PRISES D'AIR	ВОЗДУХОЗАБОР В СБОРЕ	LUF TEINLASS-SET	65325211
3	PLUG WIELAND	SPINA WIELAND	ESPIA WIELAND	ВИЛКА WIELAND	STECKER WIELAND	65322072
4	BURNER COVER	COVERCHIO	COUVERCLE DU BRULEUR	КРЫШКА ГОРЕЛКИ	BRENNERHAUBE	65324052
5	GLASS	VETRINO	VIORIOSO	СТЕКЛО	GLAS	65320487
6	PEED WINDOW FRAME	CORNICE OBLO	PROTECTION HULBOT	РАМКА СМОТРОВОГО СТЕКЛА	SICHTFENSTERRAHMEN	65320488
7	MOTOR	MOTEUR	MOTOR	ДВИГАТЕЛЬ	MOTOR	65325923
8	FAN	VENTOLA	VENTILATEUR	ВЕНТИЛЯТОР	GEBLASE	65321777
9	AIR CONVEYOR	CONVOYEUR	CONVOYEUR D'AIR	ВОЗДУХОВОД	FORDERER	65320639
10	FAN SCOOP	SURPRESSEUR	SURPRESSEUR	ДЕФЛЕКТОР	BOOS TERGEBLASE	65320622
11	AIR INTAKE	CASSETTO	BOITE D'AIR	ВОЗДУХОЗАБОР	LUF TCONVEYOR	65325383
12	CONTROL BOX BASE	ZOCOLO	BASE DEL EQUIPO	МОНТАЖНАЯ ПЛАСТИНА БЛОКА УПРАВЛЕНИЯ	SOCKEL	65320092
13	CONTROL BOX	APPARECCHIATURA	COFFRET DE SECURITE	БЛОК УПРАВЛЕНИЯ	SCHALTGERAT	65324042
14	IGNITION TRANSFORMER	TRASFORMATORE	TRASFORMATEUR D'ALLUMAGE	ТРАНСФОРМАТОР РОЗЖИГА	TRANSFORMATOR	13009663
15	REMOTE CONTROL SWITCH CONTACTOR	TELERUPTEUR	EMPAISME MOTOR VENTILADOR	ДИСТАНЦИОННЫЙ ПУСКАТЕЛЬ	SCHALTSCHUTZ	65323138
16	MOTOR THERMAL RELAY	RELE TERMICO	TERMICO	ТЕПЛОЕ РЕЛЕ ДВИГАТЕЛЯ	THERMORELAIS	65323100
17	MAIN SWITCH	INTERRUPTORE DILAVORO	INTERRUPTOR DE TRAVAIL	ГЛАВНЫЙ ВЫКЛЮЧАТЕЛЬ	BEFRIESSCHALTER	65323064
18	SELECTOR	COMMUTATORE	COMMUTADOR	ПЕРЕКЛЮЧАТЕЛЬ	UMSCHALTER	65323067
19	LAMP	LAMPADA	ESPIA	ИНДИКАТОРНАЯ ЛАМПОЧКА	LAMPE	65322053
20	FUSE SUPPORT	PORTA FUSIBILE	PORTAFUSIBLE	ПЕЗДЛО ПЛАВКОГО ПРЕДОХРАНИТЕЛЯ	SICHERUNGSHALTER	65322181
21	IONIZATION CABLE	CAVO RILEVAZIONE	CABLE D'IONISATION	ПРОВОД ЭЛЕКТРОДА ОБНАРУЖЕНИЯ ФАКЕ	MESSKABEL	65326181
22	IGNITION CABLE	CAVO ACCENSIONE	CABLE D'ALLUMAGE	ПРОВОД РОЗЖИГА	ZUNDKABEL	65325253
23	IONIZATION PROBE	ELETTRODO RILEVAZIONE	SONDE D'IONISATION	ЭЛЕКТРОД ОБНАРУЖЕНИЯ ПЛАМЕНИ	EINSTELLSTAB	65325277
24	IGNITION ELECTRODES	ELETTRODO ACCENSIONE	GRUPO ELECTRO DE ENCENDIDO	ЭЛЕКТРОДЫ РОЗЖИГА	ZUNDELEKTRODE	65300738
25	PRESSURE GAUGE	PRESA DI PRESSIONE	PRISE DE PRESSION	МАНОМЕТР	DRUCKMANSCHLUß	65321341
26	HEAD SUPPORT PIPE	TUBO SUPPORTO TESTA	TUYAU SUPPORT TETE	ТРУБКА ОПОРНОЙ ГОЛОВКИ	KNOPFLAGERONHR	65321649
27	HEAD PIPE	TUBO TESTA	TUBO CABEZA DE COMBUSTION	ТРУБКА ОГНЕВОЙ ГОЛОВКИ	KOPFRONHR	65324339
28	FIRING HEAD	TESTA DI COMBUSTIONE	TETE DE COMBUSTION	ОГНЕВАЯ ГОЛОВКА	BRENNKOPFGRUPPE	65324340
29	DIFFUSER	TERMINALE DIFFUSORE	DIFUSOR	РАССЕКАТЕЛЬ	DIFFUSOR-ENDSTUCK	65321654
30	TOOTH	NASELLO	MENTONNET	ВСТАВКА	ZAHN	840030012900
31	FRONT DISC	DISCO ANTERIORE	DISCO ANTERIOR	ПЕРЕДНИЙ ДИСК	VORDERSCHIBE	840030013100
32	ROD	ASTA REGOLAZIONE TESTA	SOPORTE CABEZA DE COMBUSTION	РЕГУЛИРОВОЧНЫЙ ШТОК ОГНЕВОЙ ГОЛОВКИ	TC DUSENHALTERUNGSSTANGE	65320822
33	INNER ASSEMBLY	GRUPPO TESTA	GRUPE TETE DE COMBUSTION	ОГНЕВАЯ ГОЛОВКА В СБОРЕ	KOPFGRUPPE	65324342
						65326183
						65326184
						65326184
34	BLAST TUBE	BOCCAGLIO	GUEULARD	СТАКАН ОГНЕВОЙ ГОРЕЛКИ	BRENNERROHR	65324343
35	GASKET	FLANGIA ISOMART	BRIDE ISOMART	ФЛАНЕЦ ISOMART	DICHTUNG	65324344
36	ANTI-JAMMING FILTER	FILTRO ANTIDISTURBO	FILTRE ANTIPARASITES	ФИЛЬТР ПОДАВЛЕНИЯ ПОМЕХ	STOFILTER	65323170
37	AIR DAMPER MOTOR	MOTOREDUCTTORE	MOTOREDUCTEUR	ПРИБОД ВОЗДУШНОЙ ЗАСЛОНКИ	GETRIEBEMOTOR	65326179
38	SUPPORT	SUPPORTO	SOPORTE	ПОДДЕРЖКА	HALTERUNG	65320478
39	COVER	COVERCHIO	COUVERCLE	КРЫШКА	KASTEN	65320477
40	PROTECTION	LAMIERA DI CHIUSURA	FEUILLE FERMANTE	ОТЕКАЮЩАЯ ПЛАСТИНА	VERSCHLUSSBLECH	65324049
41	SHEET CLOSING	GRUPPO CAMMA	GRUPE CAME GAZ	УЗЕЛКОВАЯ ПЛАЧКА	GAS CAM GROUP	65324050
42	GAS CAM GROUP	GRUPPO CAMMA	GRUPE CAME GAZ	УЗЕЛКОВАЯ ПЛАЧКА	GAS CAM GROUP	65322356
43	MODULATING KIT	KIT MODULANTE	KIT MODULANTE	МОДУЛЯЦИОННЫЙ РЕГУЛЯТОР	MODULATIONS-KIT	3143713

Overview - Spare parts list / Panoramica - Parti di ricambio / Vue d'ensemble - Pièces de rechange / Descripción - Piezas de recambio /
Обзор - Запчасти / Überblick - Ersatzteilliste

N°	DESCRIPTION	DESCRIZIONE	DESIGNATION	DESCRIPCION	ОПИСАНИЕ	BESCHREIBUNG	BLU 1000.1 LN PR
1	AIR PRESSURE SWITCH	PRESSOSTATO ARIA	PRESSOSTAT AIR	PRESTATO AIRE	РЕЛЕ ДАВЛЕНИЯ ВОЗДУХА	LFW 10 A2P 1	65323047
2	AIR INTAKE SET	GRUPPO PRESE ARIA	SET DE PRISES D'AIR	COJUNTO TOMAS DE AIRE	ВОЗДУХОЗАБОР В СБОРЕ	LUFTEINLASS-SET	65325211
3	PLUG WIELAND	SPINA WIELAND	FICHE MALE WIELAND	ESPIA WIELAND	ВЫЛКА WIELAND	STECKER WIELAND	65322072
4	BURNER COVER	COVERCHIO	COUVERCLE DU BRULEUR	TAPA	КРЫШКА ГОРЕЛКИ	BRENNERHAUBE	65324052
5	GLASS	VETRINO	HUBLOT	SOPORTO	СТЕКЛО	GLAS	65320487
6	PEED WINDOW FRAME	CORNICE OBLO	PROTECTION HULBOT	SOPORTE VIDRIOSO	РАМКА СМОТРОВОГО СТЕКЛА	SICHTFENSTERRAHMEN	65320488
7	MOTOR	MOTORE	MOTEUR	MOTOR	ДВИГАТЕЛЬ	MOTOR	65325323
8	FAN	VENTOLA	VENTILATEUR	VENTILADOR	ВЕНТИЛЯТОР	GEBLASE	65321776
9	AIR CONVEYOR	CONVOGLIATORE	CONVOYEUR D'AIR	CONDUCTO DE AIRE	ВОЗДУХОВОД	FORDERER	65320639
10	FAN SCOOP	SURPRESSORE	SURPRESSEUR	SURPRESSEUR	ДЕФЛЕКТОР	BOOSTERGEBLASE	65320622
11	AIR INTAKE	CASSETTO	BOITE D'AIR	REJILLA DE PROTECCION	ВОЗДУХОЗАБОР	LUFCONVEYOR	65325383
12	CONTROL BOX BASE	ZOCOLO	SOCLE	BASE DEL EQUIPO	МОНТАЖНАЯ ПЛАСТИНА БЛОКА	SOCKEL	65320092
13	CONTROL BOX	APPARECCHIATURA	COFFRET DE SECURITE	EQUIPO CONTROL LLAMA	БЛОК УПРАВЛЕНИЯ	SCHALTGERAT	65324042
14	IGNITION TRANSFORMER	TRASFORMATORE	TRASFORMATEUR D'ALLUMAGE	TRANSFORMADOR	ТРАНСФОРМАТОР РОЗЖИГА	TRANSFORMATOR	13009663
15	REMOTE CONTROL SWITCH	CONTATTATORE	TELEURTEUR	EMPALME MOTOR VENTILADOR	ДИСТАНЦИОННЫЙ ПУСКАТЕЛЬ	SCHALTSCHUTZ	65323138
16	MOTOR THERMAL RELAY	RELE TERMICO	RELAIS THERMIQUE	TERMICO	ТЕПЛОВОЕ РЕЛЕ ДВИГАТЕЛЯ	THERMORELAIS	65323100
17	MAIN SWITCH	INTERRUPTORE DI LAVORO	INTERRUPTEUR DE TRAVAIL	INTERRUPTOR DE LINEA	ГЛАВНЫЙ ВЫКЛЮЧАТЕЛЬ	BEFRIEBSSCHALTER	65323064
18	SELECTOR	COMUTATORE	SELECTOR	COMUTADOR	ПЕРЕКЛЮЧАТЕЛЬ	UMSCHALTER	65323067
19	LAMP	LAMPADA	LAMPE	ESPIA	ИНДИКАТОРНАЯ ЛАМПОЧКА	LAMPE	65322053
20	FUSE SUPPORT	PORTA FUSIBILE	PORTEFUSIBLE	PORTAFUSIBLE	ПРЕЗДО ПЛАВКОГО ПРЕДОХРАНИТЕЛЯ	SICHERUNGSHALTER	65322181
21	IONIZATION CABLE	CAVO RILEVAZIONE	CABLE D'IONISATION	CABLE DE CONTROL LLAMA	ПРОВОД ЭЛЕКТРОДА ОБНАРУЖЕНИЯ ФАКЕ	MESSKABEL	65326181
22	IGNITION CABLE	CAVO ACCENSIONE	CABLE D'ALLUMAGE	CABLE DE ENCENDIDO	ПРОВОД РОЗЖИГА	ZUNDKABEL	65325253
23	IONIZATION PROBE	ELETTRODO RILEVAZIONE	SONDE D'IONISATION	ELECTRODO DE CONTROL LLAMA	ЭЛЕКТРОД ОБНАРУЖЕНИЯ ПЛАМЕНИ	EINSTELLSTAB	65324307
24	IGNITION ELECTRODES	ELETTRODO ACCENSIONE	ELECTRODE D'ALLUMAGE	GRUPO ELECTRO DE ENCENDIDO	ЭЛЕКТРОДЫ РОЗЖИГА	ZUNDELEKTRODE	65300738
25	PRESSURE GAUGE	PRESA DI PRESSIONE	PRISE DE PRESSION	TOMA DE PRESSION	МАНОМЕТР	DRUCKANSCHLUß	65321341
26	HEAD SUPPORT PIPE	TUBO SUPPORTO TESTA	TUYAU SUPPORT TETE	TUBO SOPORTE CABEZA DE COMBUSTION	КРЕПЕЖНАЯ ТРУБКА ОГНЕВОЙ ГОЛОВКИ	KNOPFLAGGEROHR	65321649
27	HEAD PIPE	TUBO TESTA	TUYAU TETE	TUBO CABEZA DE COMBUSTION	ТРУБКА ОГНЕВОЙ ГОЛОВКИ	KOPFRÖHR	65324339
28	FIRING HEAD	TESTA DI COMBUSTIONE	TETE DE COMBUSTION	CABEZA DE COMBUSTION	ОГНЕВАЯ ГОЛОВКА	BRENNKOPFGRUPPE	65324340
29	DIFFUSER	TERMINALE DIFFUSORE	DIFFUSEUR	DIFUSOR	РАССЕКАТЕЛЬ	DIFFUSOR-ENDSTÜCK	65321654
30	TOOTH	NASELLO	MENTONNET	MANGUITO	ВСТАВКА	ZAHN	65324161
31	FRONT DISC	DISCO ANTERIORE	DISQUE ANTERIEUR	DISCO ANTERIOR	ПЕРЕДНИЙ ДИСК	VORSERSCHEIBE	65324345
32	ROD	ASTA REGOLAZIONE TESTA	SUPPORT	SOPORTE CABEZA DE COMBUSTION	РЕГУЛИРОВОЧНЫЙ ШТОК ОГНЕВОЙ ГОЛОВКИ	DUSENHALTERUNGSSTANGE	65324341
33	INNER ASSEMBLY	GRUPPO TESTA	GRUPE TETE DE COMBUSTION	GRUPO CABEZA DE COMBUSTION	ОГНЕВАЯ ГОЛОВКА В СБОРЕ	KOPFGRUPPE	65324342
34	BLAST TUBE	BOCCAGLIO	GUEULARD	TUBO LLAMA	СТАКАН ОГНЕВОЙ ГОРЕЛКИ	BRENNERROHR	65326186
35	FLANGIA ISOMART	FLANGIA ISOMART	BRIDE ISOMART	UNTA ISOMART	ФЛАНЦ ИСОМАРТ	DICHTUNG	65324347
36	ANTIHAMMING FILTER	FILTRO ANTIDISTURBO	FILTRE ANTIPARASITES	FILTRO DE PROTECCION ANTIDISTURBO	ФИЛЬТР ПОДАВЛЕНИЯ ПОМЕХ	STORFILTER	65323170
37	AIR DAMPER MOTOR	MOTORIDUTTORE	MOTOREDUCTEUR	MOTORREDUCTOR	ПРОВОД ВОЗДУШНОЙ ЗАСЛОНКИ	GETRIEBEMOTOR	65326179
38	SUPPORT	SOPORTO	SUPPORT	SOPORTE	ПОДДЕРЖКА	HALTERUNG	65320478
39	COVER	COVERCHIO	COUVERCLE	TAPA	КРЫШКА	KASTEN	65320477
40	PROTECTION	PROTEZIONE	PROTECTION	PROTECCION	ПРЕДОХРАНЕНИЕ	SCHUTZVORRICHTUNG	65324049
41	SHEET CLOSING	LAMIERA DI CHIUSURA	FEUILLE FERMANTE	HOJA CERRADA	ОТСЕКЮЩАЯ ПЛАСТИНА	VERSCHLUSSBLECH	65324050
42	GAS CAM GROUP	GRUPPO CAMMA	GRUPE CAME GAZ	GRUPO CAM GAS	УВЕЛКУПАЧКА	GAS CAM GROUP	65322356
43	MODULATING KIT	KIT MODULANTE	KIT MODULANTE	KIT MODULANTE	МОДУЛЯЦИОННЫЙ РЕГУЛЯТОР	MODULATIONSKIT	3143713

TC = Testa corta / Short Head / Tete courte / Cabeza corta / КОРТКАЯ ОГНЕВАЯ ГОЛОВКА / SKURZER BRENNERKOPF TL = Testa lunga / Long Head / Tete longue / Cabeza larga / ДЛИННАЯ ОГНЕВАЯ ГОЛОВКА / LANGER BRENNERKOPF

Overview - Spare parts list / Panoramica - Parti di ricambio / Vue d'ensemble - Pièces de rechange / Descripción - Piezas de recambio / Обзор - Запчасти / Überblick - Ersatzteilliste

N°	DESCRIPTION	DESCRIZIONE	DESIGNATION	DESCRIPCION	ОПИСАНИЕ	BESCHREIBUNG	BLU 1000.1 PR
							code
1	AIR PRESSURE SWITCH	PRESSOSTATO ARIA	PRESSOSTAT AIRE	PRESTATO AIRE	РЕЛЕ ДАВЛЕНИЯ ВОЗДУХА	LUFTRUCKWACHTER	65323047
2	AIR INTAKE SET	GRUPPO PRESE ARIA	SET DE PRISES D'AIR	COJUNTO TOMAS DE AIRE	ВОЗДУХОЗАБОР В СБОРЕ	LUFTEINLASS-SET	65325211
3	PLUG WIELAND	SPINA WIELAND	FICHE MALE WIELAND	ESPIA WIELAND	ВЫЛКА WIELAND	STECKER WIELAND	65322072
4	BURNER COVER	COVERCHIO	COUVERCLE DU BRULEUR	TAPA	КРЫШКА ГОРЕЛКИ	BRENNERHAUBE	65324052
5	GLASS	VETRINO	HUBLOT	SOPORTO	СТЕКЛО	GLAS	65320487
6	PEED WINDOW FRAME	CORNICE OBLO	PROTECTION HULBOT	SOPORTE VIDRIOSO	РАМКА СМОТРОВОГО СТЕКЛА	SICHTFENSTERRAHMEN	65320488
7	MOTOR	MOTORE	MOTEUR	MOTOR	ДВИГАТЕЛЬ	MOTOR	65325323
8	FAN	VENTOLA	VENTILATEUR	VENTILADOR	ВЕНТИЛЯТОР	GEBLASE	65321776
9	AIR CONVEYOR	CONVOGLIATORE	CONVOYEUR D'AIR	CONDUCTO DE AIRE	ВОЗДУХОВОД	FORDERER	65320639
10	FAN SCOOP	SURPRESSORE	SURPRESSEUR	SURPRESSEUR	ДЕФЛЕКТОР	BOOSTERGEBLASE	65320622
11	AIR INTAKE	CASSETTO	BOITE D'AIR	REJILLA DE PROTECCION	ВОЗДУХОЗАБОР	LUFTRCONVEYOR	65325383
12	CONTROL BOX BASE	ZOCOLO	SOCLE	BASE DEL EQUIPO	МОНТАЖНАЯ ПЛАСТИНА БЛОКА	SOCKEL	65320092
13	CONTROL BOX	APPARECCHIATURA	COFFRET DE SECURITE	EQUIPO CONTROL LLAMA	БЛОК УПРАВЛЕНИЯ	SCHALTGERAT	65324042
14	IGNITION TRANSFORMER	TRASFORMATORE	TRASFORMATEUR D'ALLUMAGE	TRANSFORMADOR	ТРАНСФОРМАТОР РОЗЖИГА	TRANSFORMATOR	13009663
15	REMOTE CONTROL SWITCH	CONTAITORE	TELEURTEUR	EMPALME MOTOR VENTILADOR	ДИСТАНЦИОННЫЙ ПУСКАТЕЛЬ	SCHALTSCHUTZ	65323138
16	MOTOR THERMAL RELAY	RELE TERMICO	RELAIS THERMIQUE	TERMICO	ТЕПЛОВОЕ РЕЛЕ ДВИГАТЕЛЯ	THERMORELAIS	65323100
17	MAIN SWITCH	INTERRUPTORE DI LAVORO	INTERRUPTEUR DE TRAVAIL	INTERRUPTOR DE LINEA	ГЛАВНЫЙ ВЫКЛЮЧАТЕЛЬ	BETRIEBSCHALTER	65323064
18	SELECTOR	COMUTATORE	SELECTOR	COMUTADOR	ПЕРЕКЛЮЧАТЕЛЬ	UMSCHALTER	65323067
19	LAMP	LAMPADA	LAMPE	ESPIA	ИНДИКАТОРНАЯ ЛАМПОЧКА	LAMPE	65322053
20	FUSE SUPPORT	PORTA FUSIBILE	PORTEFUSIBLE	PORTAFUSIBLE	ПРЕЗДО ПЛАВКОГО ПРЕДОХРАНИТЕЛЯ	SICHERUNGSHALTER	65322181
21	IONIZATION CABLE	CAVO RILEVAZIONE	CABLE D'IONISATION	CABLE DE CONTROL LLAMA	ПРОВОД ЭЛЕКТРОДА ОБНАРУЖЕНИЯ ФАКЕ	MESSKABEL	65326181
22	IGNITION CABLE	CAVO ACCENSIONE	CABLE D'ALLUMAGE	CABLE DE ENCENDIDO	ПРОВОД РОЗЖИГА	ZUNDKABEL	65325253
23	IONIZATION PROBE	ELETTRODO RILEVAZIONE	SONDE D'IONISATION	ELECTRODO DE CONTROL LLAMA	ЭЛЕКТРОД ОБНАРУЖЕНИЯ ПЛАМЕНИ	EINSTELLSTAB	65324307
24	IGNITION ELECTRODES	ELETTRODO ACCENSIONE	ELECTRODE D'ALLUMAGE	GRUPO ELECTRO DE ENCENDIDO	ЭЛЕКТРОДЫ РОЗЖИГА	ZUNDELEKTRODE	65300738
25	PRESSURE GAUGE	PRESA DI PRESSIONE	PRISE DE PRESSION	TOMA DE PRESSION	МАНОМЕТР	DRUCKANSCHLUß	65321341
26	HEAD SUPPORT PIPE	TUBO SUPPORTO TESTA	TUYAU SUPPORT TETE	TUBO SOPORTE CABEZA DE COMBUSTION	КРЕПЕЖНАЯ ТРУБКА ОГНЕВОЙ ГОЛОВКИ	KNOPFLAGGEROHR	65321649
27	HEAD PIPE	TUBO TESTA	TUYAU TETE	TUBO CABEZA DE COMBUSTION	ТРУБКА ОГНЕВОЙ ГОЛОВКИ	KOPFRÖHR	65324339
28	FIRING HEAD	TESTA DI COMBUSTIONE	TETE DE COMBUSTION	CABEZA DE COMBUSTION	ОГНЕВАЯ ГОЛОВКА	BRENNKOPFGRUPPE	65324340
29	DIFFUSER	TERMINALE DIFFUSORE	DIFFUSEUR	DIFUSOR	РАССЕКАТЕЛЬ	DIFFUSOR-ENDSTÜCK	65321652
30	TOOTH	NASELLO	MENTONNET	MANGUITO	ВСТАВКА	ZAHN	65324161
31	FRONT DISC	DISCO ANTERIORE	DISQUE ANTERIEUR	DISCO ANTERIOR	ПЕРЕДНИЙ ДИСК	VORSCHNEIBE	65324345
32	ROD	ASTA REGOLAZIONE TESTA	SUPPORT	SOPORTE CABEZA DE COMBUSTION	РЕГУЛИРОВОЧНЫЙ ШТОК ОГНЕВОЙ ГОЛОВКИ	DUSENHALTERUNGSSTANGE	65324341
33	INNER ASSEMBLY	GRUPPO TESTA	GRUPE TETE DE COMBUSTION	GRUPO CABEZA DE COMBUSTION	ОГНЕВАЯ ГОЛОВКА В СБОРЕ	KOPFGRUPPE	65324342
34	BLAST TUBE	BOCCAGLIO	GUEULARD	TUBO LLAMA	СТАКАН ОГНЕВОЙ ГОРЕЛКИ	BRENNERROHR	65326186
35	FLANGIA ISOMART	FLANGIA ISOMART	BRIDE ISOMART	UNTA ISOMART	ФЛАНЦ ИСОМАРТ	DICHTUNG	65324453
36	ANTIHAMMING FILTER	FILTRO ANTIDISTURBO	FILTRE ANTIPARASITES	FILTRO DE PROTECCION ANTIDISTURBO	ФИЛЬТР ПОДАВЛЕНИЯ ПОМЕХ	STORFILTER	65323170
37	AIR DAMPER MOTOR	MOTORIDUTTORE	MOTOREDUCTEUR	MOTORREDUCTOR	ПРИБОД ВОЗДУШНОЙ ЗАСЛОНКИ	GETRIEBEMOTOR	65326179
38	SUPPORT	SUPPORTO	SUPPORT	SOPORTE	ПОДДЕРЖКА	HALTERUNG	65320478
39	COVER	COVERCHIO	COUVERCLE	TAPA	КРЫШКА	KASTEN	65320477
40	PROTECTION	PROTEZIONE	PROTECTION	PROTECCION	ОТДЕХРАНЕНИЕ	SCHUTZVORRICHTUNG	65324049
41	SHEET CLOSING	LAMIERA DI CHIUSURA	FEUILLE FERMANTE	HOJA CERRADA	ОТДЕКАЮЩАЯ ПЛАСТИНА	VERSCHLUSSBLECH	65324050
42	GAS CAM GROUP	GRUPPO CAMMA	GRUPE CAME GAZ	GRUPO CAM GAS	УВЕЛКУПАЧКА	GAS CAM GROUP	65322356
43	MODULATING KIT	KIT MODULANTE	KIT MODULANTE	KIT MODULANTE	МОДУЛЯЦИОННЫЙ РЕГУЛЯТОР	MODULATIONSKIT	3143713

Overview - Spare parts list / Panoramica - Parti di ricambio / Vue d'ensemble - Pièces de rechange / Descripción - Piezas de recambio /
Обзор - Запчасти / Überblick - Ersatzteilliste

N°	DESCRIPTION	DESCRIZIONE	DESIGNATION	DESCRIPCION	ОПИСАНИЕ	BESCHREIBUNG	BLU 1200.1 LN P/R
1	AIR PRESSURE SWITCH	PRESSOSTATO ARIA	PRESSOSTAT AIR	PRESSOSTATO AIRE	РЕЛЕ ДАВЛЕНИЯ ВОЗДУХА	LUFTRUCKWACHTER	code 65323047
2	AIR INTAKE SET	GRUPPO PRESE ARIA	SET DE PRISES D'AIR	COJUNTO TOMAS DE AIRE	ВОЗДУХОЗАБОР В СБОРЕ	LUFTEINLASS-SET	65325211
3	PLUG WIELAND	SPINA WIELAND	FICHE WALE WIELAND	ESPIA WIELAND	ВЫЛКА WIELAND	STECKER WIELAND	65322072
4	BURNER COVER	COVERCHIO	COUVERCLE DU BRULEUR	TAPA	КРЫШКА ГОРЕЛКИ	BRENNERHAUBE	65324052
5	GLASS	VETRINO	HUBLOT	VIDRIOSO	СТЕКЛО	GLAS	65320487
6	PEED WINDOM FRAME	CORNICE OBLO	PROTECTION HULBOT	SOPORTE VIDRIOSO	РАМКА СМОТРОВОГО СТЕКЛА	SICHTFENSTERRAHMEN	65320488
7	MOTOR	MOTORE	MOTEUR	MOTOR	ДВИГАТЕЛЬ	MOTOR	65325414
8	FAN	VENTOLA	VENTILATEUR	VENTILADOR	ВЕНТИЛЯТОР	GEBLASE	65321775
9	AIR CONVEYOR	CONVOGLIATORE	CONVOYEUR D'AIR	CONDUCTO DE AIRE	ВОЗДУХОВОД	FORDERER	65320639
10	FAN SCOOP	SURPRESSORE	SURPRESSEUR	SUPRESSORE	ДЕФЛЕКТОР	BOOSTERGEBLASE	65320622
11	AIR INTAKE	CASSETTO	BOITE D'AIR	REJILLA DE PROTECCION	ВОЗДУХОЗАБОР	LUFTRCONVEYOR	65325383
12	CONTROL BOX BASE	ZOCCOLO	SOCLE	BASE DEL EQUIPO	МОНТАЖНАЯ ПЛАСТИНА БЛОКА	SOCKEL	65320092
13	CONTROL BOX	APPARECCHIATURA	COFFRET DE SECURITE	EQUIPO CONTROL LLAMA	БЛОК УПРАВЛЕНИЯ	SCHALTGERAT	65324042
14	IGNITION TRANSFORMER	TRASFORMATORE	TRANSFORMATEUR D'ALLUMAGE	TRANSFORMADOR	ТРАНСФОРМАТОР РОЗЖИГА	TRANSFORMATOR	13009663
15	REMOTE CONTROL SWITCH	CONTATTORE	TELEURTEUR	EMPALME MOTOR VENTILADOR	ДИСТАНЦИОННЫЙ ПУСКАТЕЛЬ	SCHALTSCHUTZ	65323138
16	MOTOR THERMAL RELAY	RELE TERMICO	RELAIS THERMIQUE	TERMICO	ТЕПЛОВОЕ РЕЛЕ ДВИГАТЕЛЯ	THERMORELAIS	65323101
17	MAIN SWITCH	INTERRUTTORE DI LAVORO	INTERRUPTEUR DE TRAVAIL	INTERRUPTOR DE LINEA	ГЛАВНЫЙ ВЫКЛЮЧАТЕЛЬ	BETRIEBS-SCHALTER	65323064
18	SELECTOR	COMUTATORE	SELECTOR	CONMUTADOR	ПЕРЕКЛЮЧАТЕЛЬ	UMSCHALTER	65323067
19	LAMP	LAMPADA	LAMPE	ESPIA	ИНДИКАТОРНАЯ ЛАМПОЧКА	LAMPE	65322053
20	FUSE SUPPORT	PORTA FUSIBILE	PORTEFUSIBLE	PORTAFUSIBLE	ГНЕЗДО ПЛАВКОГО ПРЕДОХРАНИТЕЛЯ	SICHERUNGSHALTER	65322181
21	IONIZATION CABLE	CAVO RILEVAZIONE	CABLE D'IONISATION	CABLE DE CONTROL LLAMA	ПРОВОД ЭЛЕКТРОДА ОБНАРУЖДЕНИЯ ФЛАКЕ	MESSKABEL	65326182
22	IGNITION CABLE	CAVO ACCENSIONE	CABLE D'ALLUMAGE	CABLE DE ENCENDIDO	ПРОВОД РОЗЖИГА	ZUNDKABEL	65320929
23	IONIZATION PROBE	ELETTRODO RILEVAZIONE	SONDE D'IONISATION	ELECTRODO DE CONTROL LLAMA	ЭЛЕКТРОД ОБНАРУЖДЕНИЯ ПЛАМЕНИ	EINSTELLSTAB	65324307
24	IGNITION ELECTRODES	ELETTRODO ACCENSIONE	ELECTRODE D'ALLUMAGE	GRUPO ELECTRO DE ENCENDIDO	ЭЛЕКТРОДЫ РОЗЖИГА	ZUNDELEKTRODE	65326180
25	PRESSURE GAUGE	PRESA DI PRESSIONE	PRISE DE PRESSION	TOMA DE PRESSION	МАНОМЕТР	DRUCKMANSCHLUB	65300738
26	HEAD SUPPORT PIPE	TUBO SUPPORTO TESTA	TUYAU SUPPORT TETE	TUBO SOPORTE CABEZA DE COMBUSTION	КРЕПЕЖНАЯ ТРУБКА ОГНЕВОЙ ГОЛОВКИ	KNOPFLAGERROHR	65321849
27	HEAD PIPE	TUBO TESTA	TUYAU TETE	TUBO CABEZA DE COMBUSTION	ТРУБКА ОГНЕВОЙ ГОЛОВКИ	KOPFRÖHR	65324209
28	FIRING HEAD	TESTA DI COMBUSTIONE	TETE DE COMBUSTION	CABEZA DE COMBUSTION	ОГНЕВАЯ ГОЛОВКА	BRENNKOPFGRUPPE	65321651
29	DIFFUSER	TERMINALE DIFFUSORE	DIFFUSEUR	DIFUSOR	РАССЕКАТЕЛЬ	DIFFUSOR-ENDSTÜCK	65321646
30	TOOTH	MASELLO	MENTONNET	MANGUITO	ВСТАВКА	ZAHN	65321654
31	FRONT DISC	DISCO ANTERIORE	DISQUE ANTERIEUR	DISCO ANTERIOR	ПЕРЕДНИЙ ДИСК	VORDERSCHEIBE	65324161
32	ROD	ASTA REGOLAZIONE TESTA	SUPPORT	SOPORTE CABEZA DE COMBUSTION	РЕГУЛИРОВОЧНЫЙ ШТОК ОГНЕВОЙ ГОЛОВКИ	DUSENHALTERUNGSSTANGE	65320824
33	INNER ASSEMBLY	GRUPPO TESTA	GRUPE TETE DE COMBUSTION	GRUPO CABEZA DE COMBUSTION	ОГНЕВАЯ ГОЛОВКА В СБОРЕ	KOPFGRUPPE	65324210
34	BLAST TUBE	BOCCAGLIO	GUEULARD	TUBO LLAMA	СТАКАН ОГНЕВОЙ ГОРЕЛКИ	BRENNERROHR	65320415
35	FLANGIA ISOMART	FLANGIA ISOMART	BRIDE ISOMART	JUNTA ISOMART	ФЛАНЕЦ ISOMART	DICHTUNG	65320416
36	ANTIQUAMMING FILTER	FILTRO ANTIDISTURBO	FILTRE ANTIPARASITES	FILTRO DE PROTECCION ANTIDISTURBO	ФИЛЬТР ПОДАВЛЕНИЯ ПОМЕХ	STÖRFILTER	65321116
37	AIR DAMPER MOTOR	MOTORIDUTTORE	MOTOREDUCTEUR	MOTOREDUCTOR	МОТОР ВОЗДУШНОЙ ЗАСЛОНКИ	GETRIEBEMOTOR	65323170
38	SUPPORT	SUPPORTO	SUPPORT	SOPORTE	ПОДДЕРЖКА	HALTERUNG	SONT2-4A4A20
39	COVER	COVERCHIO	COUVERCLE	TAPA	КРЫШКА	KASTEN	65320478
40	PROTECTION	PROTEZIONE	PROTECTION	PROTECCION	ПРЕДОХРАНЕНИЕ	SCHUTZVORRICHTUNG	65320477
41	SHEET CLOSING	LAMIERA DI CHIUSURA	FEUILLE FERMANTE	HOJA CERRADA	ОТСКАКАЮЩАЯ ПЛАСТИНА	VERSCHLUSSBLECH	65324049
42	GAS CAM GROUP	GRUPPO CAMMA	GRUPE CAMME GAZ	GRUPO CAM GAS	УЗЕЛ КУЛАЧКА	GAS CAM GROUP	65324050
43	MODULATING KIT	KIT MODULANTE	KIT MODULANTE	KIT MODULANTE	МОДУЛЯЦИОННЫЙ РЕГУЛЯТОР	MODULATIONS-KIT	65322356
							3143713

TC = Testa corta / Short Head / Tete courte / Cabeza corta / КОРТКАЯ ОГНЕВАЯ ГОЛОВКА / SKURZER BRENNERKOPF TL = Testa lunga / Long Head / Tete longue / Cabeza larga / ДЛИННАЯ ОГНЕВАЯ ГОЛОВКА / LANGER BRENNERKOPF

Overview - Spare parts list / Panoramica - Parti di ricambio / Vue d'ensemble - Pièces de rechange / Descripción - Piezas de recambio / Обзор - Запчасти / Überblick - Ersatzteilliste

	DESCRIPTION	DESIGNATION	DESCRIPCION	ОПИСАНИЕ	BESCHREIBUNG	BLU 1200.1 PR code
1	AIR PRESSURE SWITCH	PRESSOSTAT ARIA	PRESSOSTATO AIRE	РЕЛЕ ДАВЛЕНИЯ ВОЗДУХА	LGW 10 A2P 1	65323047
2	AIR INTAKE SET	GRUPPO PRESE ARIA	COJUNTO TOMAS DE AIRE	ВОЗДУХОЗАБОР В СБОРЕ	LUFTINLASS-SET	65325211
3	PLUG WIELAND	FICHE WALE WIELAND	ESPIA WIELAND	ВИЛКА WIELAND	STECKER WIELAND	65322072
4	BURNER COVER	COUVERCLE DU BRULEUR	TAPA	КРЫШКА ГОРЕЛКИ	BRENNERHAUBE	65324052
5	GLASS	VETRINO	VIDRIOSO	СТЕКЛО	GLAS	65320487
6	PEED WINDOM FRAME	CORNICE OBLO	SOPORTE VIDRIOSO	РАМКА СМОТРОВОГО СТЕКЛА	SICHTFENSTERRAHMEN	65320488
7	MOTOR	MOTEUR	MOTOR	ДВИГАТЕЛЬ	MOTOR	65325414
8	FAN	VENTOLA	VENTILADOR	ВЕНТИЛЯТОР	GEBLASE	65321775
9	AIR CONVEYOR	CONVOGLIATORE	CONDUCTO DE AIRE	ВОЗДУХОВОД	FORDERER	65320639
10	FAN SCOOP	SURPRESSORE	SURPRESSORE	ДЕФЛЕКТОР	BOOSTERGEBLASE	65320822
11	AIR INTAKE	CASSETTO	BOITE D'AIR	ВОЗДУХОЗАБОР	LUFTCONVEYOR	65325383
12	CONTROL BOX BASE	ZOCOLO	BASE DEL EQUIPO	МОНТАЖНАЯ ПЛАСТИНА БЛОКА	SOCKET	65320092
13	CONTROL BOX	APPARECCHIATURA	EQUIPO CONTROL LLAMA	БЛОК УПРАВЛЕНИЯ	SCHALTGERAT	65324042
14	IGNITION TRANSFORMER	TRASFORMATORE	TRANSFORMADOR	ТРАНСФОРМАТОР РОЗЖИГА	TRANSFORMATOR	13009663
15	REMOTE CONTROL SWITCH	CONTATTORE	EMPALME MOTOR VENTILADOR	ДИСТАНЦИОННЫЙ ПУСКАТЕЛЬ	SCHALTSCHUTZ	65323138
16	MOTOR THERMAL RELAY	RELE TERMICO	TERMICO	ТЕПЛОВОЕ РЕЛЕ ДВИГАТЕЛЯ	THERMORELAIS	65323101
17	MAIN SWITCH	INTERRUTTORE DI LAVORO	INTERRUPTOR DE LINEA	ГЛАВНЫЙ ВЫКЛЮЧАТЕЛЬ	BETRIEBS-SCHALTER	65323064
18	SELECTOR	COMUTATORE	COMUTADOR	ПЕРЕКЛЮЧАТЕЛЬ	UMSCHALTER	65323067
19	LAMP	LAMPADA	ESPIA	ИДИКАТОРНАЯ ЛАМПОЧКА	LAMPE	65322053
20	FUSE SUPPORT	PORTAFUSIBILE	PORTAFUSIBILE	ГНЕЗДО ПЛАВКОГО ПРЕДОХРАНИТЕЛЯ	SICHERUNGSSHALTER	65322181
21	IONIZATION CABLE	CAVO RILEVAZIONE	CABLE D'IONISATION	ПРОВОД ЭЛЕКТРОДА ОБНАРУЖДЕНИЯ ФЛАКЕ	MESSKABEL	65326182
22	IGNITION CABLE	CAVO ACCENSIONE	CABLE D'ALLUMAGE	ПРОВОД РОЗЖИГА	ZUNDKABEL	65320929
23	IONIZATION PROBE	ELETTRODO RILEVAZIONE	ELECTRODO DE CONTROL LLAMA	ЭЛЕКТРОД ОБНАРУЖДЕНИЯ ПЛАМЕНИ	EINSTELLSTAB	65324307
24	IGNITION ELECTRODES	ELETTRODO ACCENSIONE	GRUPO ELECTRO DE ENCENDIDO	ЭЛЕКТРОДЫ РОЗЖИГА	ZUNDELEKTRODE	65326180
25	PRESSURE GAUGE	PRESA DI PRESSIONE	TOMA DE PRESSION	МАНОМЕТР	DRUCKMANSCHLUB	65300738
26	HEAD SUPPORT PIPE	TUBO SUPPORTO TESTA	TUBO SOPORTE CABEZA DE COMBUSTION	КРЕПЕЖНАЯ ТРУБКА ОГНЕВОЙ ГОЛОВКИ	KNOPFLAGERROHR	65321649
27	HEAD PIPE	TUBO TESTA	TUBO CABEZA DE COMBUSTION	ТРУБКА ОГНЕВОЙ ГОЛОВКИ	KOPFROHR	65324209
28	FIRING HEAD	TESTA DI COMBUSTIONE	TETE DE COMBUSTION	ОГНЕВАЯ ГОЛОВКА	BRENNKOPFGRUPPE	65321651
29	DIFFUSER	TERMINALE DIFFUSORE	DIFUSOR	РАССЕКАТЕЛЬ	DIFFUSOR-ENDSTUCK	65321646
30	TOOTH	NASELLO	MANGUITO	ВСТАВКА	ZAHN	65321652
31	FRONT DISC	DISCO ANTERIORE	DISCO ANTERIOR	ПЕРЕДНИЙ ДИСК	VORDERSCHEIBE	65324161
32	ROD	ASTA REGOLAZIONE TESTA	SOPORTE CABEZA DE COMBUSTION	РЕГУЛИРОВОЧНЫЙ ШТОК ОГНЕВОЙ ГОЛОВКИ	DUSENHALTERUNGSSSTANGE	65320824
33	INNER ASSEMBLY	GRUPPO TESTA	GRUPO CABEZA DE COMBUSTION	ОГНЕВАЯ ГОЛОВКА В СБОРЕ	KOPFGRUPPE	65324210
34	BLAST TUBE	BOCCAGLIO	TUBO LLAMA	СТАКАН ОГНЕВОЙ ГОРЕЛКИ	BRENNERROHR	65324454
35	FLANGIA ISOMART	BRIDE ISOMART	JUNTA ISOMART	ФЛАНЕЦ ISOMART	DICHTUNG	65321116
36	ANTIQUAMMING FILTER	FILTRO ANTIPARASITES	FILTRO DE PROTECCION ANTIDISTURBIO	ФИЛЬТР ПОДАВЛЕНИЯ ПОМЕХ	STORFILTER	65323170
37	AIR DAMPER MOTOR	MOTORIDUTTORE	MOTOREDUCTOR	ПРИВОД ВОЗДУШНОЙ ЗАСЛОНКИ	GETRIEBEMOTOR	SON72-4A4A20
38	SUPPORT	SUPPORTO	SOPORTE	ПОДДЕРЖКА	HALTERUNG	65320478
39	COVER	COVERCHIO	TAPA	КРЫШКА	KASTEN	65320477
40	PROTECTION	PROTEZIONE	PROTECCION	ПРЕДОХРАНЕНИЕ	SCHUTZVORRICHTUNG	65324049
41	SHEET CLOSING	LAMIERA DI CHIUSURA	HOJA CERRADA	ОТСКАКАЮЩАЯ ПЛАСТИНА	VERSCHLUSSBLECH	65324050
42	GAS CAM GROUP	GRUPPO CAMMA	GRUPO CAM GAS	УЗЕЛ КЛАПЧА	GAS CAM GROUP	65322356
43	MODULATING KIT	KIT MODULANTE	KIT MODULANTE	МОДУЛЯЦИОННЫЙ РЕГУЛЯТОР	MODULATIONS-KIT	3143713

Contents - Conformity declaration / Contenuti generali - Dichiarazione di conformità / Contenus généraux - Déclaration de conformite / Contenidos generales - Declaración de conformidad / Содержание - Сертификат соответствия / Inhalt - Konformitätserklärung

Declaration of conformity for gas burners

We,
Ecoflam Bruciatori S.p.A.

declare under our sole responsibility that the gas burners named

BLU

conform to the following standards:

EN 676	EN 50156-1
EN 55014-1	EN 55014-2
EN 60335-1	EN 60335-2-102
EN 61000-6-2	EN 61000-6-3

These products bear the CE mark in accordance with the stipulations of the following directives:

2014/35/UE Low Voltage Directive
2014/30/UE EMC Directive
2006/42/EC Machine directive
2011/65/EU RoHS2 directive
2009/142/CEE Gas Appliance Directive

February, 2016 / Mr. Ruben Cattaneo
R&D manager



Dichiarazione di conformità per bruciatori a gas

Noi,
Ecoflam Bruciatori S.p.A.

dichiariamo sotto la nostra responsabilità, che i bruciatori a gas

BLU

sono conformi alle norme elencate :

EN 676	EN 50156-1
EN 55014-1	EN 55014-2
EN 60335-1	EN 60335-2-102
EN 61000-6-2	EN 61000-6-3

Questi prodotti vengono contrassegnati con il marchio CE nel rispetto delle direttive:

2014/35/UE Low Voltage Directive
2014/30/UE EMC Directive
2006/42/EC Machine directive
2011/65/EU RoHS2 directive
2009/142/CEE Gas Appliance Directive

February, 2016 / Mr. Ruben Cattaneo
R&D manager



Déclaration de conformité pour brûleurs de gaz

Nous,
Ecoflam Bruciatori S.p.A.

déclarons sous notre responsabilité, que les brûleurs de gaz

BLU

sont en conformité avec les normes suivantes:

EN 676	EN 50156-1
EN 55014-1	EN 55014-2
EN 60335-1	EN 60335-2-102
EN 61000-6-2	EN 61000-6-3

Ces produits sont marqués avec la marque CE dans le respect des directives:

2014/35/UE Low Voltage Directive
2014/30/UE EMC Directive
2006/42/EC Machine directive
2011/65/EU RoHS2 directive
2009/142/CEE Gas Appliance Directive

February, 2016 / Mr. Ruben Cattaneo
R&D manager



Declaración de conformidad para quemadores de gas

Nosotros,
Ecoflam Bruciatori S.p.A.

declaramos bajo nuestra responsabilidad que los quemadores de gas

BLU

cumplen las normas siguientes :

EN 676	EN 50156-1
EN 55014-1	EN 55014-2
EN 60335-1	EN 60335-2-102
EN 61000-6-2	EN 61000-6-3

Estos productos están marcados con la marca CE de conformidad con la directivas:

2014/35/UE Low Voltage Directive
2014/30/UE EMC Directive
2006/42/EC Machine directive
2011/65/EU RoHS2 directive
2009/142/CEE Gas Appliance Directive

February, 2016 / Mr. Ruben Cattaneo
R&D manager



Декларация о соответствии для газовых горелок

Мы, компания,
Ecoflam Bruciatori S.p.A.

заявляем под свою ответственность, что газовые горелки

BLU

соответствуют требованиям следующих стандартов :

EN 676	EN 50156-1
EN 55014-1	EN 55014-2
EN 60335-1	EN 60335-2-102
EN 61000-6-2	EN 61000-6-3

Эти изделия маркируются знаком CE в соответствии с директивами:

2014/35/UE Low Voltage Directive
2014/30/UE EMC Directive
2006/42/EC Machine directive
2011/65/EU RoHS2 directive
2009/142/CEE Gas Appliance Directive

February, 2016 / Mr. Ruben Cattaneo
R&D manager



Konformitätserklärung für Gasbrenner

Wir,
Ecoflam Bruciatori S.p.A.

erklären in alleiniger Verantwortung, dass das Gasbrenner benannt

BLU

entsprechen den folgenden Normen:

EN 676	EN 50156-1
EN 55014-1	EN 55014-2
EN 60335-1	EN 60335-2-102
EN 61000-6-2	EN 61000-6-3

Diese Produkte verfügen über die CE-Kennzeichnung in Übereinstimmung mit den folgenden Richtlinien:

2014/35/UE Low Voltage Directive
2014/30/UE EMC Directive
2006/42/EC Machine directive
2011/65/EU RoHS2 directive
2009/142/CEE Gas Appliance Directive

February, 2016 / Mr. Ruben Cattaneo
R&D manager



Ecoflam

Ecoflam Bruciatori S.p.A.

Via Roma, 64 - 31023 Resana (TV) - Italy

Tel. +39 0423 719500

Fax +39 0423 719580

<http://www.ecoflam-burners.com>

e-mail: export@ecoflam-burners.com

Società soggetta alla direzione e al coordinamento di Ariston Thermo S.p.A.

Via A. Merloni, 45 - 60044 Fabriano (AN) - CF 01026940427

Ecoflam Bruciatori S.p.A. reserves the right to make any adjustments, without prior notice, which is considered necessary or useful to its products, without affecting their main features

Ecoflam Bruciatori S.p.A. si riserva il diritto di apportare ai prodotti le modifiche che riterrà necessarie o utili, senza pregiudicarne le caratteristiche principali.

La maison Ecoflam Bruciatori S.p.A. se réserve le droit d'apporter les modifications qu'elle jugera nécessaires ou utiles à ses produits sans pour autant nuire à leurs caractéristiques principales

Ecoflam Bruciatori S.p.A. se reserva el derecho a introducir en sus productos todas las modificaciones que considere necesarias o utiles, sin perjudicar sus características

“Ecoflam Bruciatori S.p.A.” оставляет за собой право вносить в конструкцию оборудования любые необходимые изменения без особого предупреждения.

Ecoflam Bruciatori S.p.A. behält sich das Recht vor, ohne Beeinträchtigung der wesentlichen Eigenschaften für notwendig oder sinnvoll erachtete Änderungen an den Produkten vorzunehmen.