


EN *GAS / HEAVY-OIL DUAL BURNERS*
ES *QUEMADORES MIXTOS GAS / FUEL PESADO*
RU *КОМБИНИРОВАННЫЕ ГОРЕЛКИ ГАЗ / МАЗУТ*

Ecoflam

CE



Multiflam 170.1 AB/AB
Multiflam 200.1 AB/AB



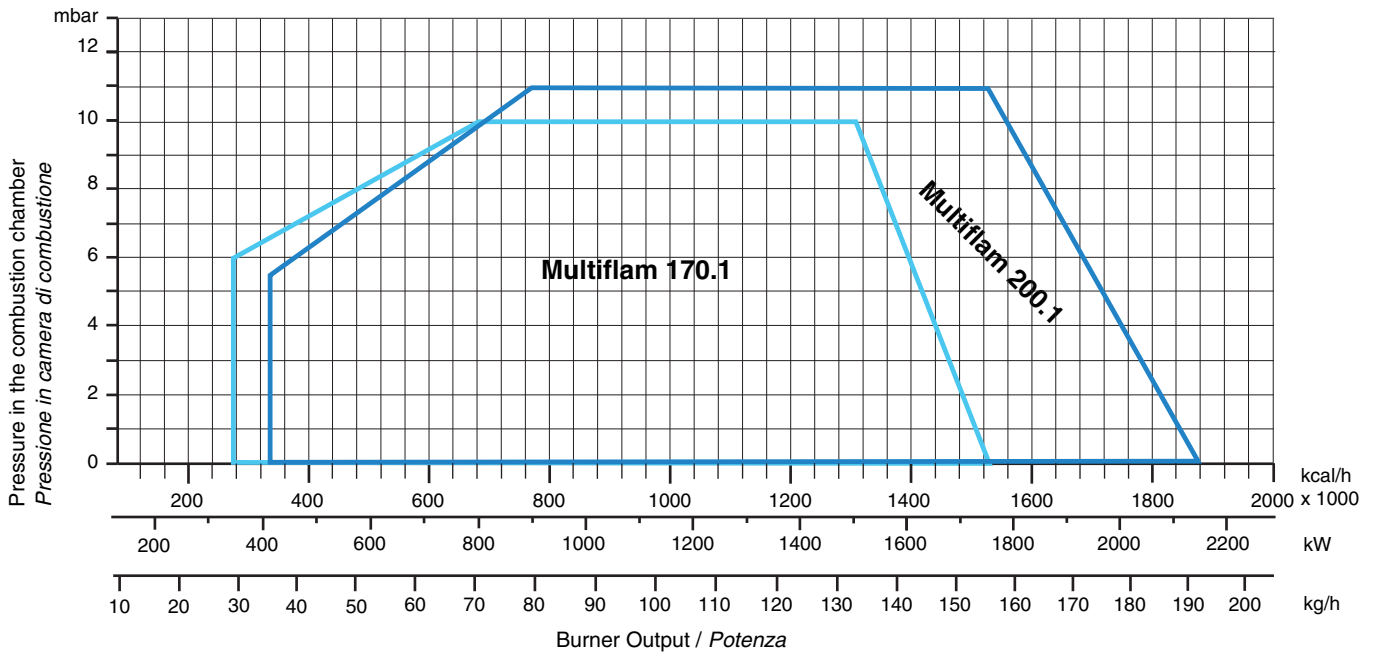
420010316902

25.03.2011

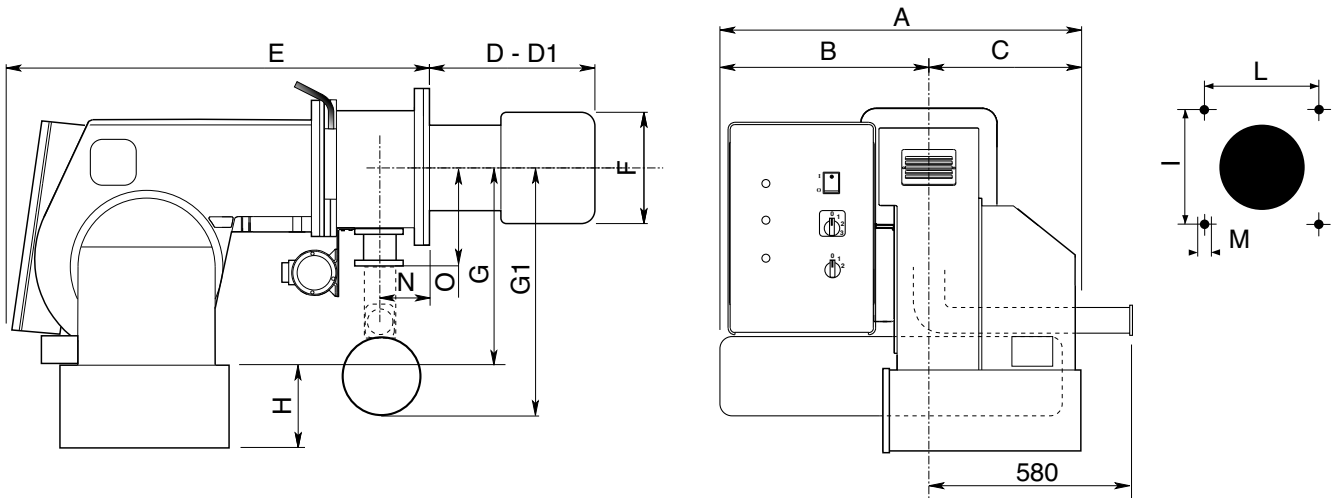
TECHNICAL DATA

MODELS		170.1	200.1
Thermal power max.	kW	1770	2150
	kcal/h	1.526.000	1.853.450
Thermal power min.	kW	342	414
	kcal/h	295.000	356.900
Min. natural gas pressure	mbar	20÷300	20÷300
Voltage 50 Hz	V	230/400	230/400
Motor	kW	3	4
Rpm	N°	2800	2800
Fuel :	Natural Gas (L.C.V. 8.570 kcal/Nm ³), Heavy oil (L.C.V. 9.800 kcal/kg max. visc 50°E at 50°C)		

WORKING FIELDS



DIMENSIONS D'ENCOMBREMENT



MODELS	A	B	C	D	D1	E	F	G	G1	H	I	L	M	N	O
Multiflam 170.1	848	530	318	295	455	1150	250	398	600	283*	315	315	M16	125	250
Multiflam 200.1	848	530	318	295	455	1150	270	398	600	283*	315	315	M16	125	250

* Optional

D = Short head D1 = Long head

ELECTRICAL CONNECTIONS

All burners factory tested at 400 V 50 Hz three-phase for motors and 230 V 50 Hz monophas with neutral for auxiliary equipment. If mains supply is 230 V 50 Hz threephase withuot neutral, change position of connectors on burner as in fig. Protect burner supply line with safety fuses and any other devices required by safety standards obtaining in the country in question.

CONNECTION TO THE GAS PIPELINE

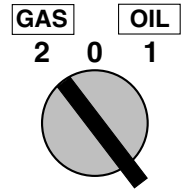
Once connected the burner to the gas pipeline, it is necessary to control that this last is perfectly sealed. Also verify that the chimney is not obstructed. Open the gas cock and carefully bleed the piping through the pressure gauge connector, then check the pressure value trough a suitable gauge. Power on the system and adjust the thermostats to the desired temperature. When thermostats close, the sealing control device runs a seal test of valves; at the end of the test the burner will be enabled to run the start-up sequence.

OPERATION OF BURNER WITH GAS

PRELIMINARY CHECKS

Before starting up the boiler check the following:

- Gas type and feed pressure.
 - Gas valves closed.
 - The seals in the pipe fittings.
 - Gas pipe breather and input pressure.
 - That the cable complies with the diagram and the phase and neutral wires correspond.
 - That the burner shuts down when the boiler thermostat opens.
 - The seal of the boiler furnace which prevents air from entering.
 - The seal on the flue-boiler pipe fitting.
 - The condition of the flue (sealed, free from blockage, etc.).
- If all these conditions are present, start the burner. The control device starts the motor to carry out prewashing of the combustion chamber. During this prewash period (about 30 seconds) the device checks that air pressure is correct via the air pressure switch. At the end, it supplies power to the transformer and opens the gas valves. The flame must be lit and stabilize within 3 seconds, which is the device's safety time limit. Check to ensure the flame is lit before placing any control instrument in the flue. Adjust and check the gas flow necessary for the boiler at the meter. Adjust the air flow according to the gas flow to obtain correct combustion.



IMPORTANT ADVICE

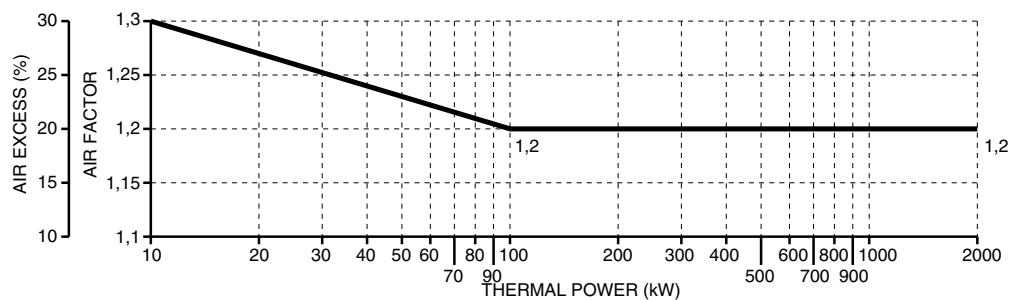
All adjustable parts must be fixed by the installer after making adjustments. Check flue combustion after each adjustment. The CO₂ values must be approx. 9.7 (G20) 9.6 (G25 11.7 (I3B) 11.7 (I3P) and the CO must be less than 75 ppm.

ADJUSTING THE COMBUSTION PROCESS

IMPORTANT: to obtain the right adjustment of the combustion and thermal capacity it is important to analyze the reducts of combustion with the aid of suitable instruments. The combustion and thermal capacity adjustment is done simultaneously, together with the analysis of the products of combustion, making sure that the measured values are suitable and that they comply with current safety standards. On this matter, please refer to the table and figure below.

THESE OPERATIONS MUST BE DONE BY PROFESSIONALLY-QUALIFIED TECHNICIANS.

	Metano
CO ₂	9,6%
CO	<100 ppm
	GPL
CO ₂	11,7%
CO	<50 ppm



CALCULATION OF WORKING OUTPUT OF THE BURNER

To calculate the burner's working output, in kW, proceed as follows:

- Check at the meter the quantity of supplied litres and the duration, in seconds, of the reading, then calculate the burner's output through the following formula:

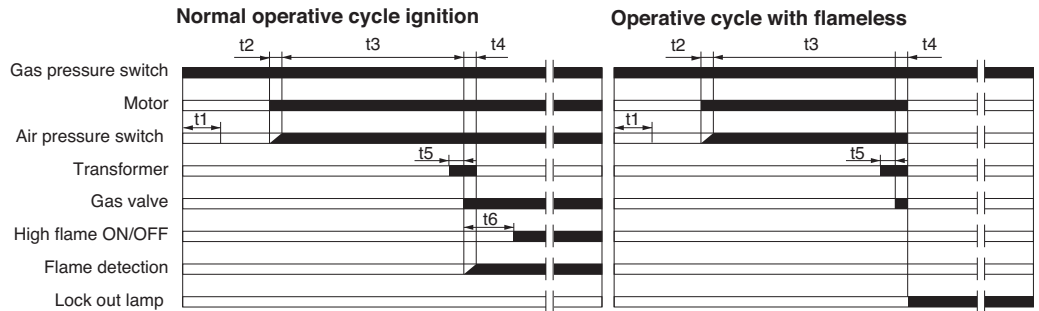
$$\frac{e}{s} \times f = \text{kW}$$

e = Litres of gas
s = Time in seconds

f	G20 = 34,02
	G25 = 29,25
	G30 = 116
	G31 = 88

LANDIS LGB 22 UP-CYCLE

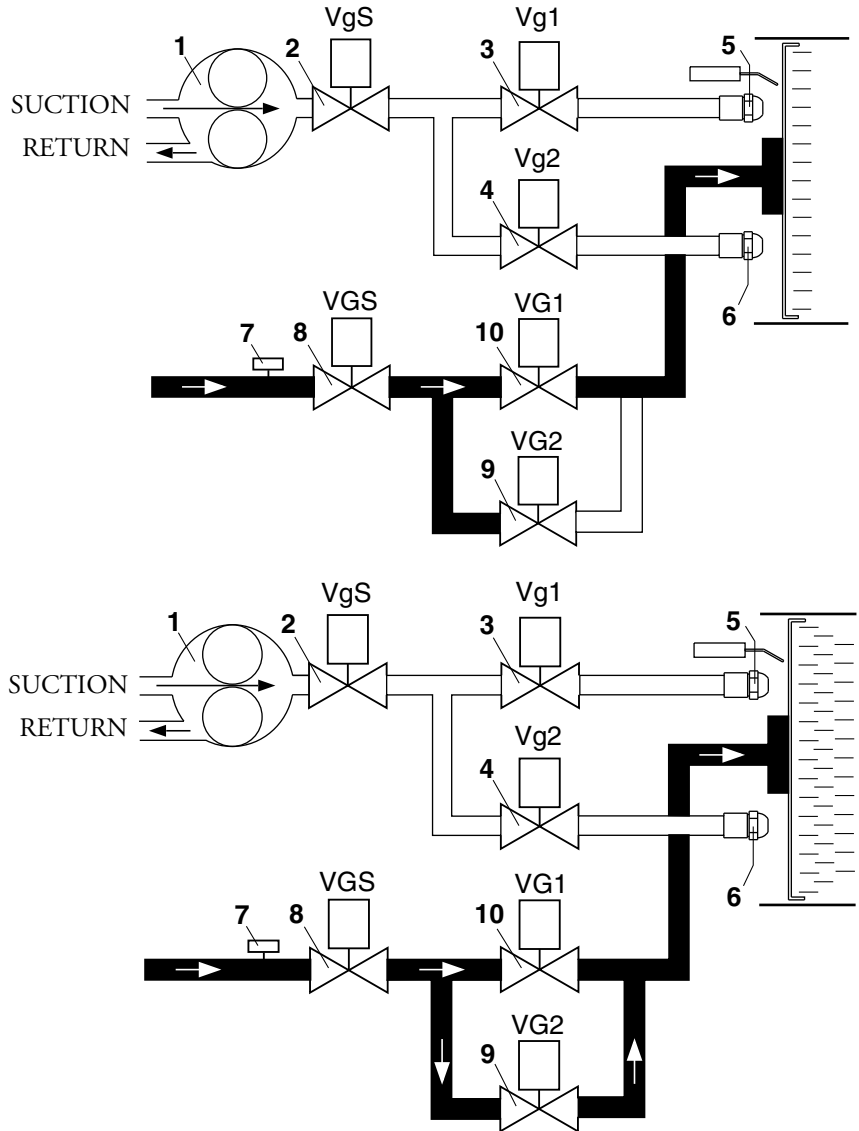
The control box starts the burner fan, to carry out the prepurging of the combustion chamber, and checks the vent air pressure through the air pressure switch. At the end of prepurging, the ignition transformer cuts-in and generates a spark between the electrodes. At the same time the two gas valves open (Vs safety valve and V1 Low flame working valve). The total safety, in case of missed ignition or casual burner's flame-out, is granted by a ionisation probe which cuts-in and sets the burner shutdown within the safety time. In case of gas lack or a major pressure drop, the minimum air pressure switch shuts down the burner.



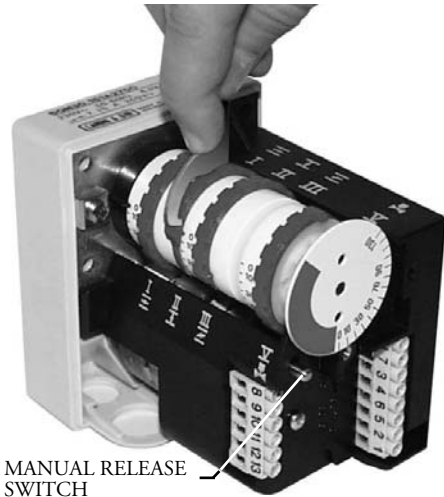
Description	⌚
t1 pressure switch control time-out	9"
t2 time-out for air pressure confirmation	3"
t3 prewashing time	30"
t4 safety time	3"
t5 preignition time	3"
t6 time-out to enable fuel 2nd valve	8"

GAS CIRCUIT

- 1 - PUMP
- 2 - SAFETY OIL VALVE
- 3 - LOW FLAME OIL VALVE
- 4 - HIGH FLAME OIL VALVE
- 5 - LOW FLAME NOZZLE
- 6 - HIGH FLAME NOZZLE
- 7 - GAS PRESSURE SWITCH
- 8 - SAFETY GAS VALVE
- 9 - LOW FLAME GAS VALVE
- 10 - HIGH FLAME GAS VALVE



LANDIS & STAЕFA SQN 30 151A2700 AIR DAMPER MOTOR



Remove cover to gain access to the adjusting cams. The cams are to be adjusted through the suitable key provided for. Description:

- I - Limit switch for air damper “High Flame” position adjustment (Max. power)
- II - Limit switch for the air damper position at burner’s shut down
- III - Limit switch for air damper “Low Flame” position adjustment (Min. power)
- V - Limit switch for 2nd stage’s solenoid valve opening release

NOTE :

Cam V (to allow the 2nd stage’s solenoid valve opening) must be adjusted to an intermediate position between the Low and High Flame ones (to an angle approximately 5° greater than the low flame position).

”PAB” VERSION GAS BURNERS GAS TRAIN INSTALLATION AND SETTING INSTRUCTIONS

Fix the gas train to burner body by means of the screws of the flange, pay attention to set correctly the gasket. Connect electrically the gas train with the 6 pole plug. Switch on the burner (it has already been tested in the factory, so it is pre set on average values) and verify the tightness of gas train connections made during installation. Act as follows to adapt the burner output to the boiler.

HIGH FLAME

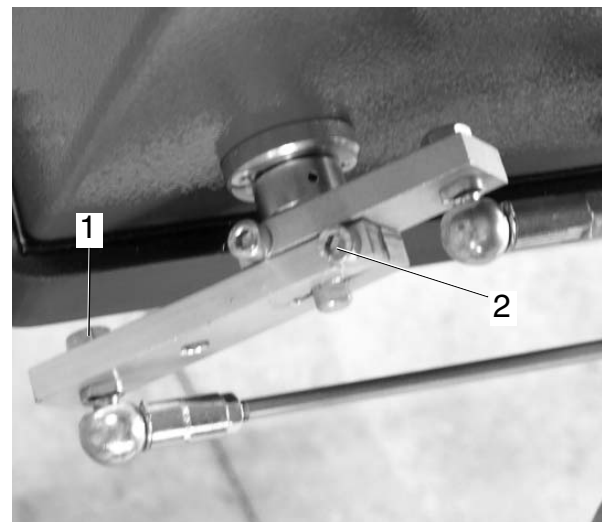
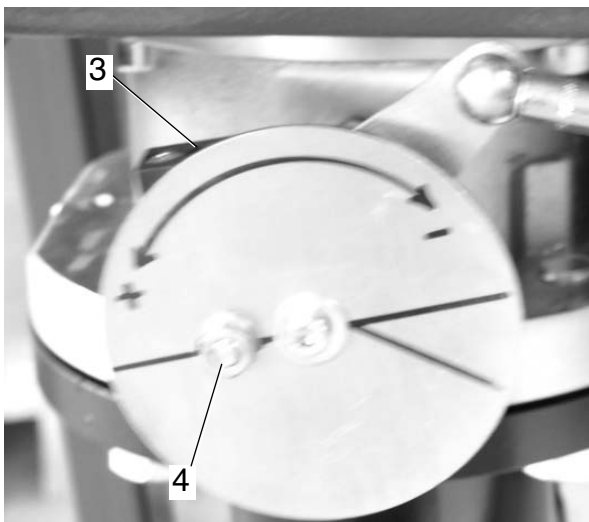
1. Bring the burner in high flame, air inlet must be set at 75° (maximum opening position). To adjust air capacity operate on the combustion head position. Just in peculiar case it is necessary to reduce the air flow in high flame closing air intake damper.
2. The position of gas butterfly valve must be lower than 90° (typically 85°. It is important not get over 90° to obtain a perfect combustion during passage from high to low flame). Eventually adjust this position acting on the screw “1”, after loosening nut “2”.
3. Regulate gas capacity in high flame through the gas governor, or operate on the adjustable gas valve.

LOW FLAME

4. Choose the first stage position on the servocontrol (normally between 10° - 30°) on the basis of the reduced charge output required and switch the burner to low flame.
5. Regulate gas capacity, to obtain optimal combustion, changing the position of the gas valve disc, act on screw “3”, after loosen nut “4”.

Final operations

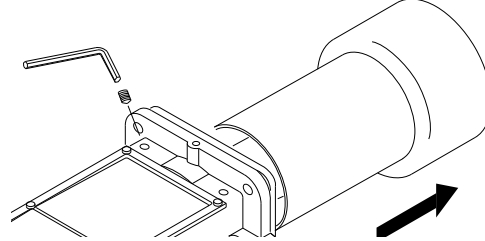
6. Bring the burner in high flame again, if necessary adjust again gas flow (as shown in point n.2).
7. If necessary repeat operations described on point n. 5 and n. 6 until You obtain the exact position of the gas flow both in high and low flame.
8. Fix the nuts.



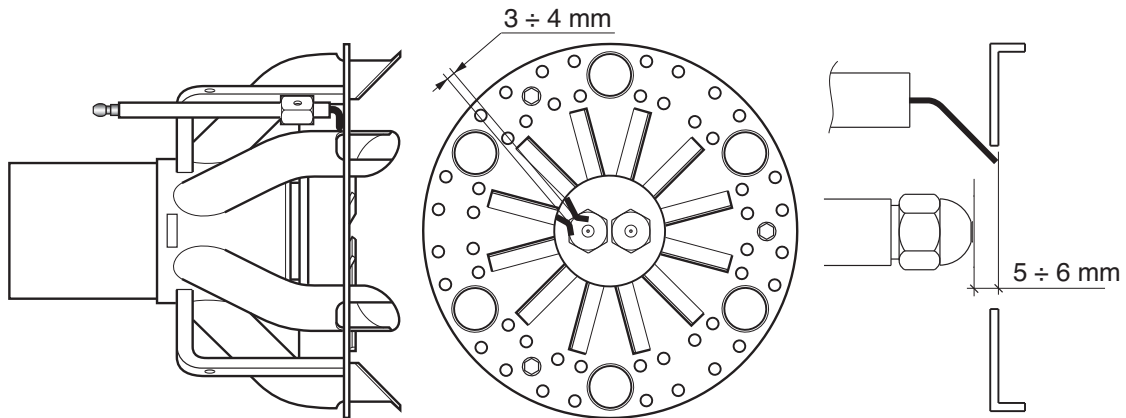
COMBUSTION ADJUSTMENT

WARNING: In order to have a correct combustion and thermal output adjustments, these must be carried out together with a combustion analysis, to be executed through suitable devices, taking care that the values are the correct ones and are in accordance with the local safety regulations. The adjustments must be carried out by qualified and skilled technicians authorised by Ecoflam S.p.A.

REMOVING THE BLAST TUBE

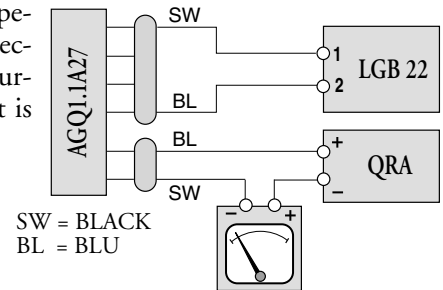


POSITION OF ELECTRODES

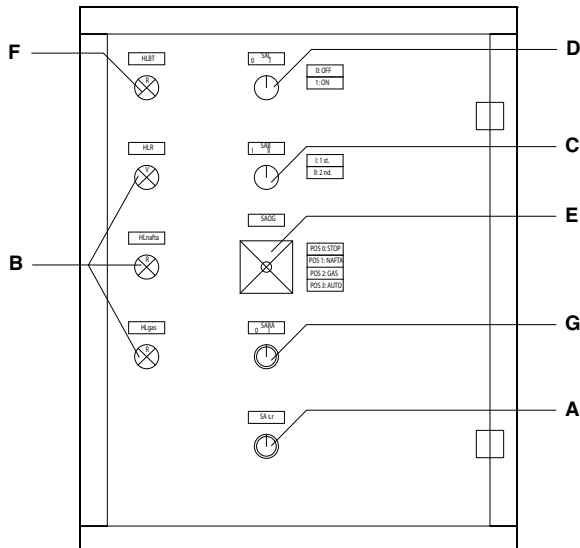


FLAME DETECTOR SYSTEM CHECK

The control of the detector current shall be carried out by plugging a microampere-meter with full scale at 1000 μ A (D.C.) in series with the UV-cell. If the detector current is too low verify the connection between phase and neutral of the burner and the grounding of the burner itself. Minimum required detector current is 200 μ A.

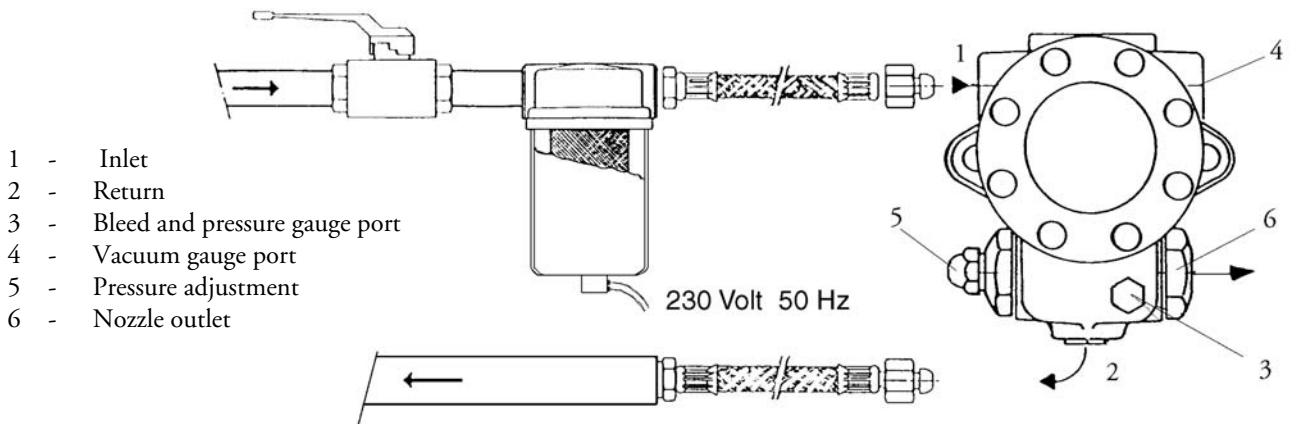


DESCRIPTION OF THE CONTROL PANEL OF THE BURNER



- A** - Reset Key
- B** - Operating lamps (orange=heavy oil; green= gas; red= heater)
- C** - Selector switch:
Operation at max. output
Operation at min. output
- D** - ON/OFF switch
- E** - Selector switch:
0 = Stop
1 = Heavy oil operation
2 = Gas operation
3 = Automatic
- F** - Thermal lock-out lamp
- G** - Switch AUX heater

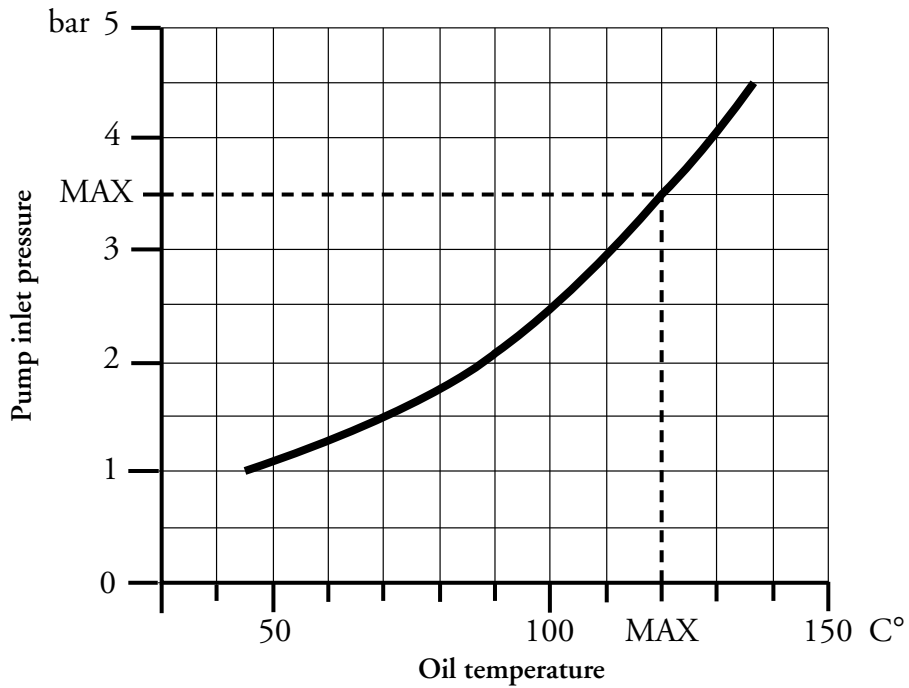
HEAVY OIL FEEDING



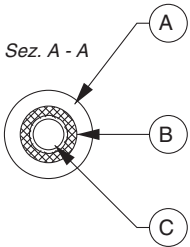
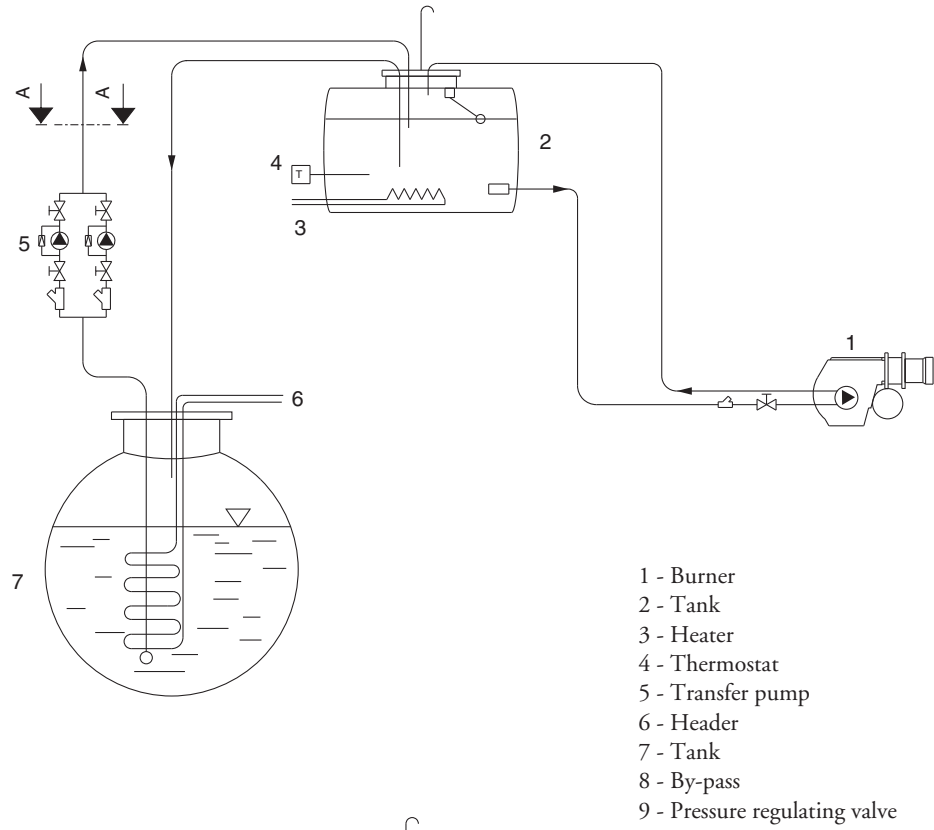
Oil temperature:	Max. 120° in the pump
Inlet and return pressure:	3,5 bar max.
Suction height:	0,5 bar max. vacuum
	0,4 bar advised to prevent air separation from oil

PUMP'S PRESSURE / OIL TEMPERATURE DIAGRAM

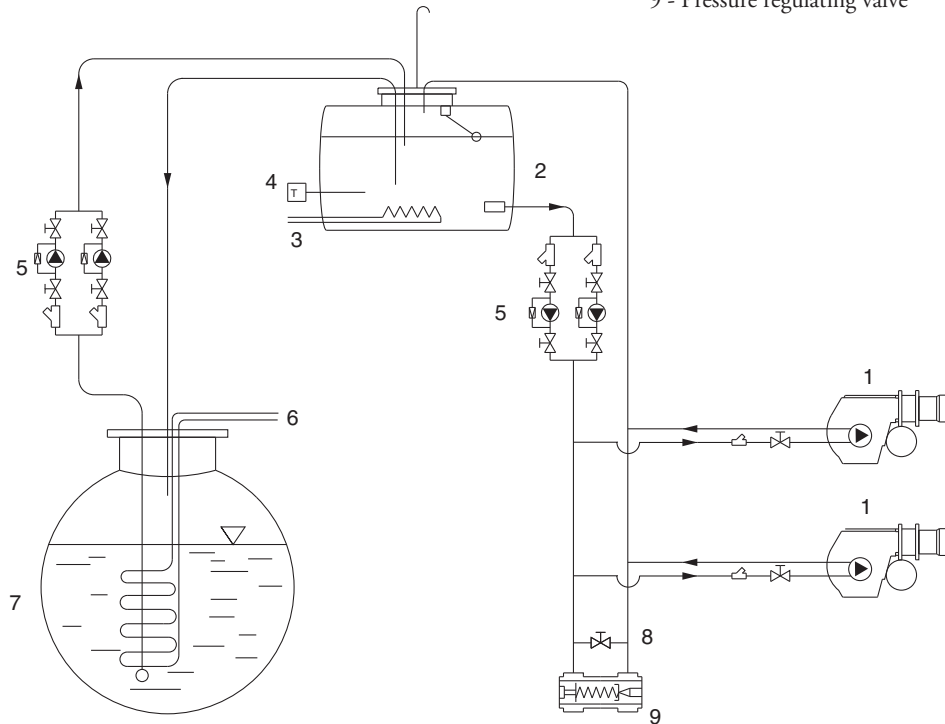
The gasification of volatile fractions in preheated heavy oil seems to be the main cause of premature fuel pump wear. To avoid such a problem, adjust pump pressure according to the diagram hereinafter.



HEAVY OIL FEED SYSTEM



A - Isolation gasket
 B - Heater
 C - Pipe heavy oil



IMPORTANT: All fuel pipings are heated (see section A-A of the picture)

NOZZLE OUTPUT FOR HEAVY OIL

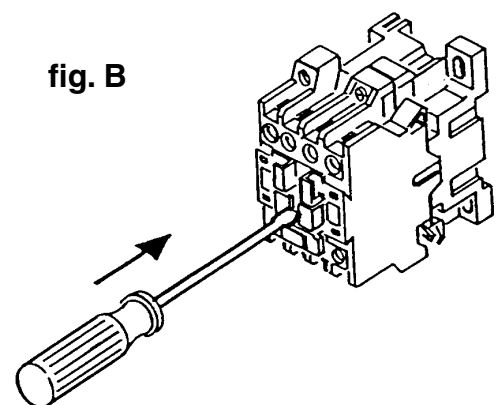
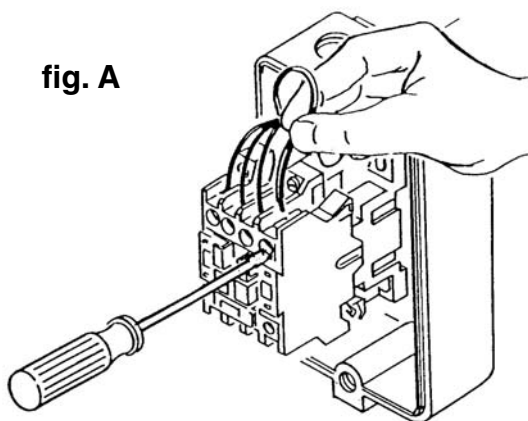
GPH	Pump pressure bar																													
	10	11	12	13	14	15	16	17	18	19	20	21	22	23	24	25	26	27	28	29	30									
0,60	2,5	2,6	2,7	2,9	3,0	3,1	3,2	3,3	3,4	3,4	3,4	3,5	3,6	3,7	3,8	3,9	4,0	4,0	4,1	4,2	4,3	4,3								
0,65	2,7	2,8	3,0	3,1	3,2	3,3	3,4	3,5	3,6	3,7	3,8	3,9	4,0	4,1	4,2	4,3	4,4	4,4	4,5	4,6	4,6	4,7								
0,75	3,1	3,3	3,4	3,5	3,7	3,8	3,9	4,0	4,2	4,3	4,4	4,5	4,6	4,7	4,8	4,9	5,0	5,1	5,2	5,3	5,4	5,4								
0,85	3,5	3,7	3,8	4,0	4,1	4,3	4,4	4,6	4,7	4,8	4,9	5,1	5,2	5,3	5,4	5,5	5,6	5,8	5,9	6,0	6,1	6,1								
1,00	4,2	4,4	4,6	4,8	5,0	5,1	5,3	5,5	5,6	5,8	5,9	6,1	6,2	6,4	6,5	6,6	6,8	6,9	7,0	7,2	7,3	7,3								
1,10	4,6	4,8	5,0	5,2	5,4	5,6	5,8	6,0	6,2	6,3	6,5	6,7	6,8	7,0	7,1	7,3	7,4	7,6	7,7	7,8	8,0	8,0								
1,20	5,0	5,2	5,5	5,7	5,9	6,1	6,3	6,5	6,7	6,9	7,1	7,2	7,4	7,6	7,7	7,9	8,1	8,2	8,4	8,5	8,7	8,7								
1,25	5,2	5,5	5,7	5,9	6,2	6,4	6,6	6,8	7,0	7,2	7,4	7,5	7,7	7,9	8,1	8,2	8,4	8,5	8,7	8,9	9,0	9,0								
1,35	5,6	5,9	6,1	6,4	6,6	6,9	7,1	7,3	7,5	7,7	7,9	8,1	8,3	8,5	8,7	8,9	9,0	9,2	9,4	9,5	9,7	9,7								
1,50	6,2	6,5	6,8	7,1	7,3	7,6	7,8	8,1	8,3	8,5	8,8	9,0	9,2	9,4	9,6	9,8	10,0	10,2	10,4	10,6	10,7	10,7								
1,65	6,9	7,2	7,6	7,9	8,2	8,5	8,7	9,0	9,3	9,5	9,8	10,0	10,2	10,5	10,7	10,9	11,1	11,3	11,5	11,8	12,0	12,0								
1,75	7,3	7,7	8,0	8,3	8,6	8,9	9,2	9,5	9,8	10,1	10,3	10,6	10,8	11,1	11,3	11,5	11,8	12,0	12,2	12,4	12,6	12,6								
2,00	8,3	8,7	9,1	9,5	9,8	10,2	10,5	10,8	11,1	11,4	11,7	12,0	12,3	12,6	12,9	13,1	13,4	13,6	13,9	14,1	14,4	14,4								
2,25	9,4	9,9	10,3	10,7	11,1	11,5	11,9	12,3	12,6	13,0	13,3	13,6	13,9	14,3	14,6	14,9	15,2	15,4	15,7	16,0	16,3	16,3								
2,50	10,4	10,9	11,4	11,9	12,3	12,7	13,2	13,6	14,0	14,3	14,7	15,1	15,4	15,8	16,1	16,4	16,8	17,1	17,4	17,7	18,0	18,0								
3,00	12,5	13,1	13,7	14,3	14,8	15,3	15,8	16,3	16,8	17,2	17,7	18,1	18,5	19,0	19,4	19,8	20,2	20,5	20,9	21,3	21,7	21,7								
3,50	14,6	15,3	16,0	16,6	17,3	17,9	18,5	19,0	19,6	20,1	20,6	21,2	21,7	22,1	22,6	23,1	23,5	24,0	24,4	24,9	25,3	25,3								
4,00	16,6	17,4	18,2	18,9	19,6	20,3	21,0	21,6	22,3	22,9	23,5	24,1	24,6	25,2	25,7	26,2	26,8	27,3	27,8	28,3	28,8	28,8								
4,50	18,7	19,6	20,5	21,3	22,1	22,9	23,7	24,4	25,1	25,8	26,4	27,1	27,7	28,4	29,0	29,6	30,2	30,7	31,3	31,8	32,4	32,4								
5,00	20,8	21,8	22,8	23,7	24,6	25,5	26,3	27,1	27,9	28,7	29,4	30,1	30,9	31,5	32,2	32,9	33,5	34,2	34,8	35,4	36,0	36,0								
5,50	22,9	24,0	25,1	26,1	27,1	28,0	29,0	29,9	30,7	31,6	32,4	33,2	34,0	34,7	35,5	36,2	36,9	37,6	38,3	39,0	39,7	39,7								
6,00	25,0	26,2	27,4	28,5	29,6	30,6	31,6	32,6	33,5	34,5	35,4	36,2	37,1	37,9	38,7	39,5	40,3	41,1	41,8	42,6	43,3	43,3								
6,50	27,1	28,4	29,7	30,9	32,1	33,2	34,3	35,3	36,4	37,4	38,3	39,3	40,2	41,1	42,0	42,8	43,7	44,5	45,3	46,1	46,9	46,9								
7,00	29,1	30,5	31,9	33,2	34,4	35,6	36,8	37,9	39,0	40,1	41,2	42,2	43,2	44,1	45,1	46,0	46,9	47,8	48,7	49,6	50,4	50,4								
7,50	31,2	32,7	34,2	35,6	36,9	38,2	39,5	40,7	41,9	43,0	44,1	45,2	46,3	47,3	48,3	49,3	50,3	51,3	52,2	53,1	54,0	54,0								
8,30	34,5	36,2	37,8	39,3	40,8	42,3	43,6	45,0	46,3	47,6	48,8	50,0	51,2	52,3	53,4	54,5	55,6	56,7	57,7	58,8	59,8	59,8								
9,50	39,5	41,4	43,3	45,0	46,7	48,4	50,0	51,5	53,0	54,4	55,9	57,2	58,6	59,9	61,2	62,5	63,7	64,9	66,1	67,3	68,4	68,4								
10,50	43,7	45,8	47,9	49,8	51,7	53,5	55,3	57,0	58,6	60,2	61,8	63,3	64,8	66,3	67,7	69,1	70,5	71,8	73,1	74,4	75,7	75,7								
12,00	49,9	52,3	54,7	56,9	59,0	61,1	63,1	65,1	66,9	68,8	70,6	72,3	74,0	75,7	77,3	78,9	80,5	82,0	83,5	85,0	86,4	86,4								
13,80	57,4	60,2	62,9	65,4	67,9	70,3	72,6	74,8	77,0	79,1	81,2	83,2	85,1	87,1	88,9	90,8	92,6	94,3	96,0	97,7	99,4	99,4								
15,30	63,7	66,8	69,8	72,6	75,4	78,0	80,6	83,1	85,5	87,8	90,1	92,3	94,5	96,6	98,7	100,7	102,7	104,7	106,6	108,5	110,3	110,3								
17,50	72,8	76,4	79,7	83,0	86,1	89,2	92,1	94,9	97,7	100,3	103,0	105,5	108,0	110,4	112,8	115,1	117,4	119,6	121,8	124,0	126,1	126,1								
19,50	81,2	85,2	89,0	92,6	96,1	99,4	102,7	105,9	108,9	111,9	114,8	117,7	120,4	123,1	125,8	128,4	130,9	133,4	135,9	138,3	140,6	140,6								
21,50	89,5	93,9	98,0	102,0	105,9	109,6	113,2	116,7	120,1	123,4	126,6	129,7	132,7	135,7	138,7	141,5	144,3	147,1	149,8	152,4	155,0	155,0								
24,00	99,9	104,8	109,4	113,9	118,2	122,4	126,4	130,3	134,0	137,4	141,3	144,8	148,2	151,5	154,8	158,0	161,1	164,2	167,2	170,1	173,0	173,0								
28,00	116,5	122,2	127,6	132,8	137,8	142,7	147,4	151,9	156,3	160,6	164,8	168,8	172,8	176,7	180,5	184,2	187,9	191,4	194,9	198,4	201,8	201,8								
30,00	124,9	131,0	136,8	142,4	147,8	153,0	158,0	162,8	167,6	172,2	176,6	181,0	185,3	189,4	193,5	197,5	201,4	205,2	209,0	212,7	216,3	216,3								

OUTPUT Kg/h

CHECKS TO BE MADE TO ENSURE A PROPER INSTALLATION:

Before proceeding with the filling of the fuel system and subsequent burner start up, it is advisable to carry out the following checks:

- Power line must be adequate to system's adsorbed load
- Fuses must be adequate to the system's load
- Boiler's thermostats must have been properly connected
- Voltage and frequency must be within the specified limits
- Fuel type must be the one specified by the burner manufacturer
- Feed piping section must be adequate to the requested fuel flow rate
- Filters, cocks as well as fittings must have been properly installed
- Blast tube length must be the one specified by the boiler manufacturer
- Nozzle's flow rate of the burner must be adequate to boiler's output

**OPERATION OF BURNER WITH HEAVY OIL**

When all the controls, as shown in previous paragraphs, have been accomplished, it will be possible to proceed with the burner start up.

- Switch-on the burner. When reaching the preset temperature on the working thermostat, and with boiler's thermostat closed, the control box starts the fan, the fuel pump and the ignition transformer. At the same time, the balancing resistors are activated, to keep fuel temperature into the heater at a constant value.

- It begins, in this way, the combustion chamber prepurging, as well as the fuel circulation in the whole circuit, so as to obtain an uniformity of temperature which allows a correct flowing of the same. The fuel pressure, during prepurging, shall be around 16÷18 bar. If not, adjust the pressure to the specified value through the regulator "D", purposely installed on the heating circuit (see figure).

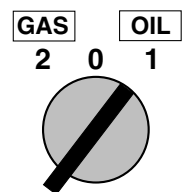
- At the end of the prepurging, the control box shut off the solenoid valve "O" while opening the 1st stage valve (for example valve "A"), allowing the burner ignition in Low Flame.

Afterwards, it will be opened the 2nd stage valve "B" which, while allowing the fuel flowing through both nozzles, permit the burner's High Flame ignition, i.e. at the full power.

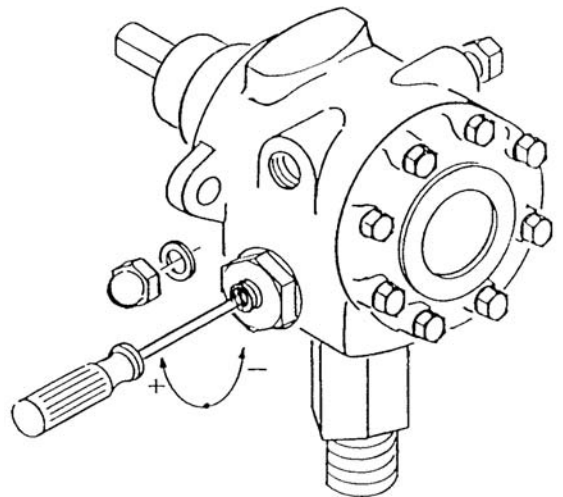
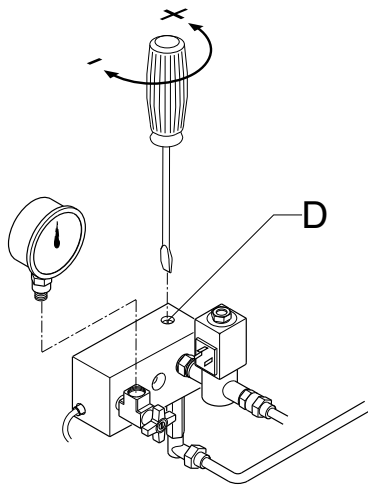
- In order to have a correct combustion, adjust the combustion air flow for both Low and High flame.

During flow rate adjustment, it is possible to manually switch from Low Flame to High Flame and viceversa, through the LOW/HIGH manual switch. When all adjustments are made, leave the switch in II (HIGH) position.

- The fuel pressure during burner's working shall be set to 23 bars.



ADJUSTEMENT OF PUMP PRESSURE



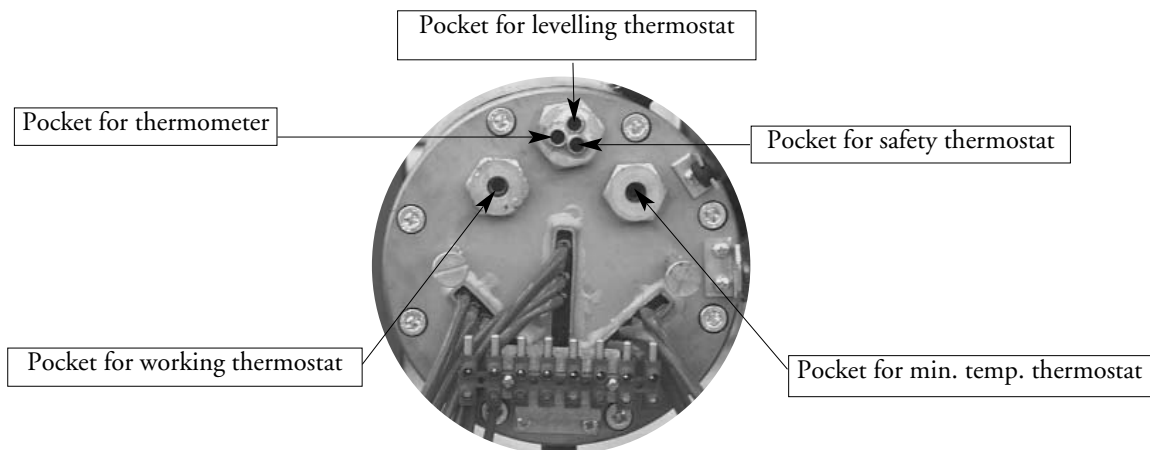
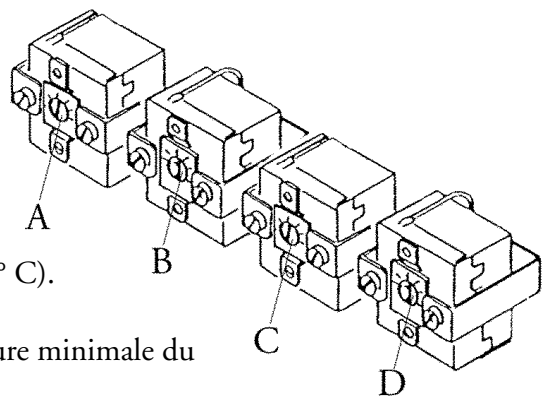
WARNING: For a correct working of the pump, verify what follows:

Pump :	SUNTEC E4NC 1069 / SUNTEC E6NC 1069
Oil temperature at the pump:	Max. 120 °C
Maximum allowable pressures:	Max. 3,5 bar on inlet

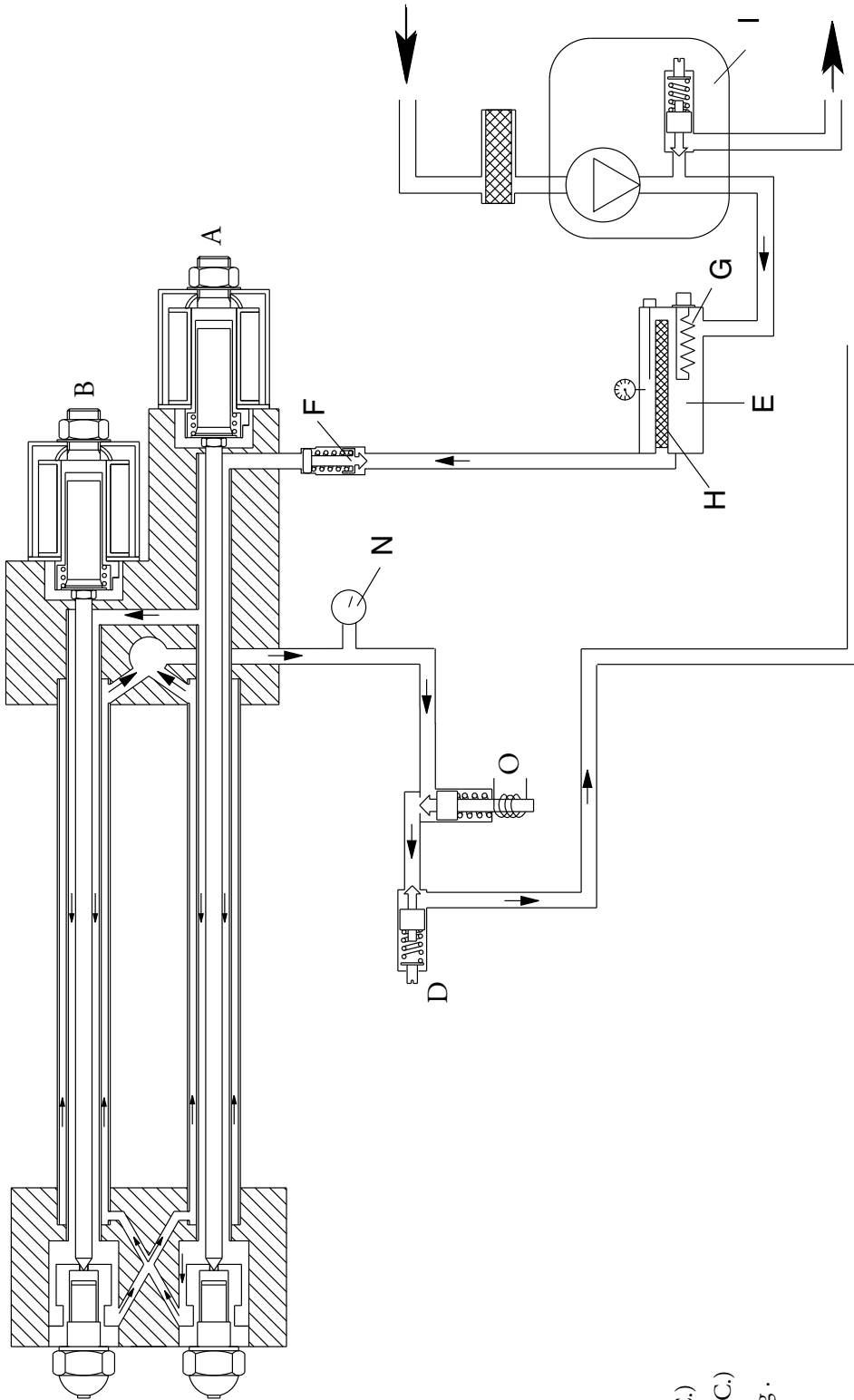
ADJUSTMENT OF FUEL THERMOSTATS

The working resistor thermostat must be set to 120 °C, while the safety one to 160 °C. Said adjustments can be slightly modified following the type of fuel and particular uses.

- A - Termostato di sicurezza / Safety thermostat
Thermostat de sécurité / Termóstato de seguridad (160° C).
- B - Termostato di lavoro / Working thermostat
Thermostat de travail / Termóstato de trabajo (120° C).
- C - Termostato di livellamento / Levelling thermostat
Thermostat de nivellement / Termóstato de nivelación (130° C).
- D - Termostato di min. temperatura olio combustibile
Heavy oil min. temp. thermostat / Thermostat de température minimale du fioul lourd / Termóstato de minima fuel pesado (90° C).



PREPURGING PHASE



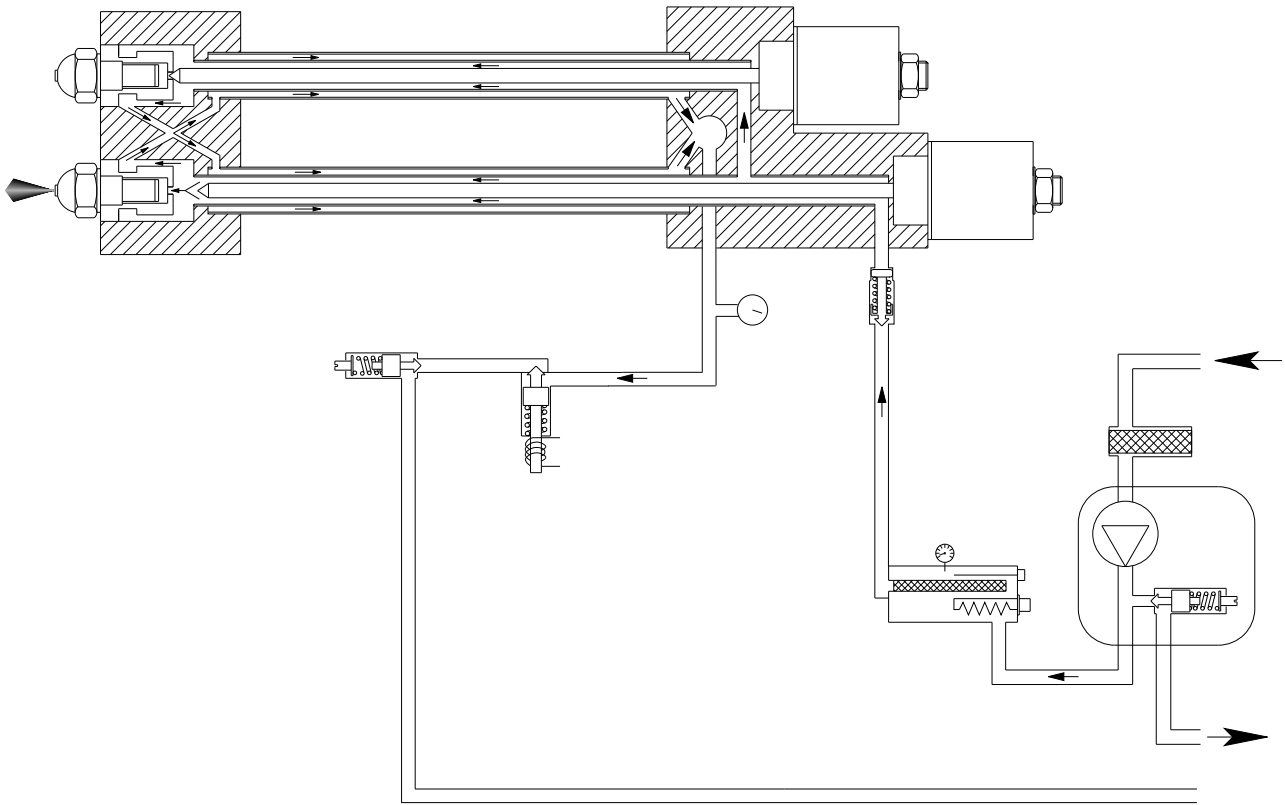
Legend :

- A. Low Flame solenoid valve (N.C.)
- B. High Flame solenoid valve (N.C.)
- D. Fuel flow adjuster in prepurging .
- E. Heater
- F. Anti-gas valve
- G. Resistors
- H. Filter
- I. Fuel pump
- N. Manometer
- O. Solenoid valve (N.O.)

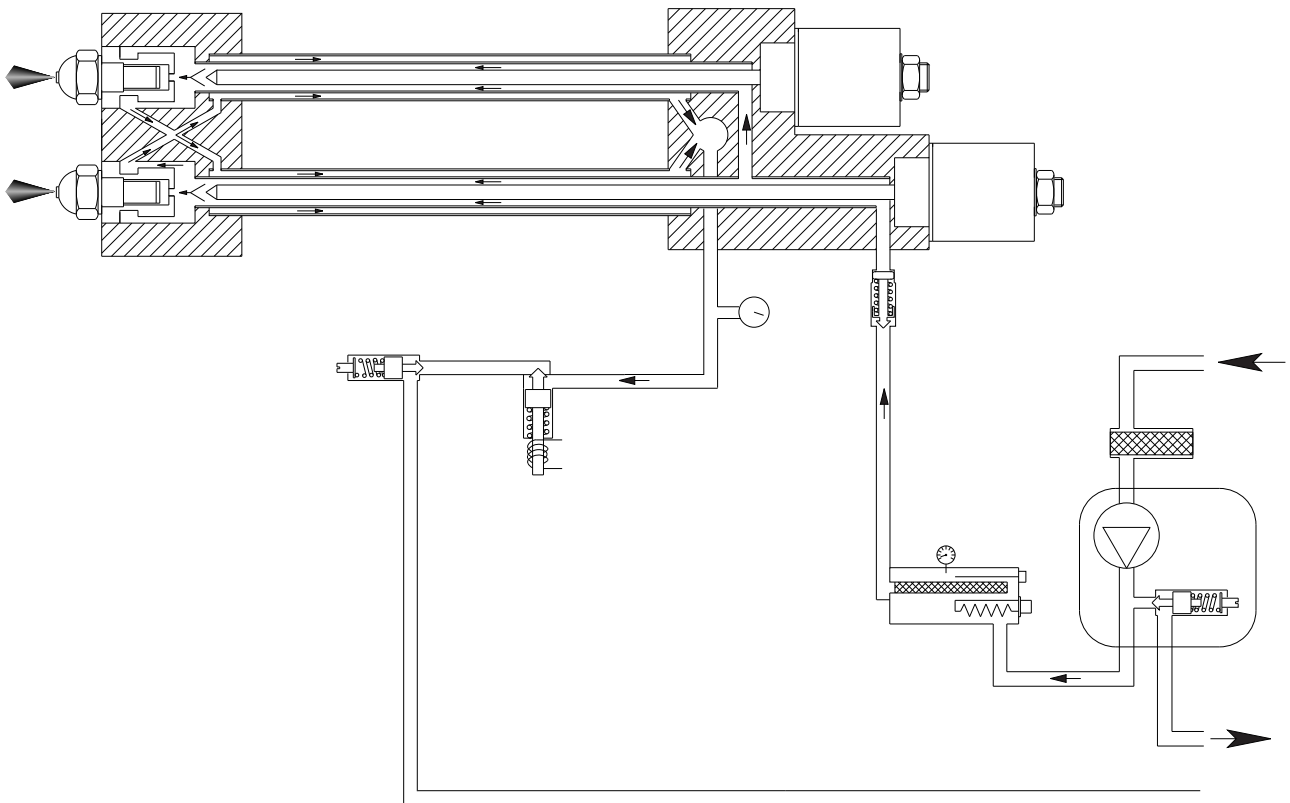
N.C. = Norm. closed

N.O. = Norm. open

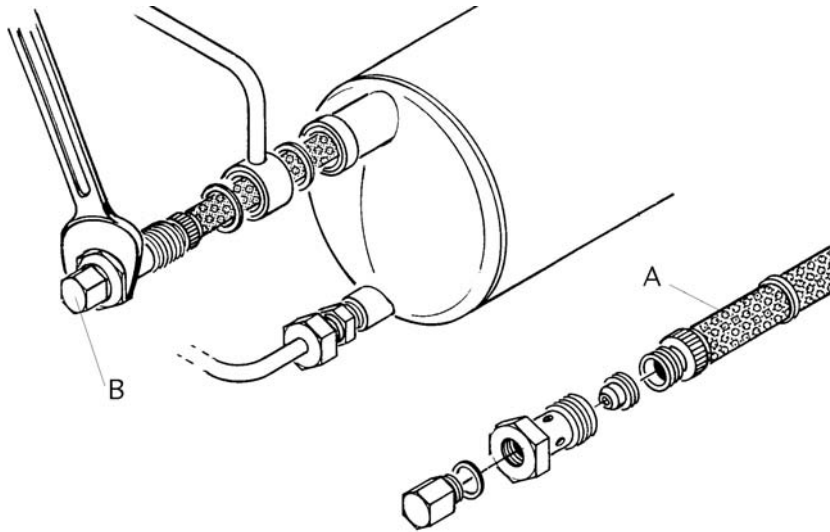
Low Flame



High Flame



CLEANING AND MAINTENANCE OF FILTERS MOUNTED ON THE PREHEATER



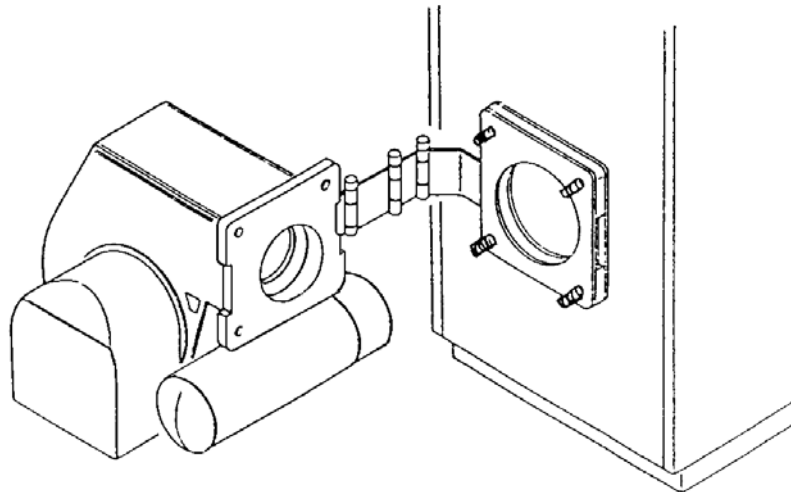
REMOVING OF THE FILTER

1. Switch-off the burner.
2. Loosen screw B and drain part of the fuel from the heater, until the fuel level drop below the filter.
3. Unscrew and pull out the stem filter A from its seat.
4. Clean the filter and reassemble the parts as shown by the picture, then fit it in its own seat.

It is advisable to replace all filter and valve gaskets whenever they are removed.

Note that when the burner is working the heater has a pressure of abt. 23 bar, and that it becomes very dangerous to carry out said operations with the burner running.

BURNER MOUNTING



MAINTENANCE

ANNUAL CHECK

The burner (combustion head, electrodes, etc.) must be checked regularly by an authorized technician, once or twice a year, depending on how much it is used. Before proceeding with the maintenance check-up on the burner, it is advisable to check the general condition of the burner and take the following steps: Disconnect the burner (remove the plug).

- Close the gas shut-off cock.
- Remove the cover from the burner, clean the fan and air intake.
- Clean the combustion head and check the position of the electrodes.
- Re-install the parts.
- Check the seal on the gas connectors.
- Check the state of the flue.
- Start the burner.
- Check the combustion parameters

BEFORE TAKING ANY ACTION, CHECK:

- that there is power in the circuit and the burner is connected;
- that the gas pressure is right and the gas shut-off cock is open;
- that the control systems are properly connected. If all these conditions have been satisfied, start the burner by pressing the reset button. Check the burner cycle.

IF THE BURNER FAILS TO START:

check the switch, the thermostats, the motor and the gas pressure, fuses burnt, resistors failure, heater thermostats open.

IF THE BURNER PROCEEDS WITH PREVENTILATION BUT CUTS OUT AT THE END OF THE CYCLE:

check the air pressure and the fan. Check the air pressure switch, UV cell failure, premature ignition due to oil leakage from solenoid valve.

IF THE BURNER PROCEEDS WITH PREVENTILATION BUT DOES NOT LIGHT:

check the installation and position of the electrodes. Electrodes dirty. Nozzles clogged. Check the ignition cable.

Check the ignition transformer. Check the safety device. Eccles of combustion air related to nozzles flow rate.

IF THE BURNER LIGHTS BUT CUTS OUT AFTER THE SAFETY INTERVAL:

check that the phase and neutral wires are connected correctly.

Check the gas solenoid valve. Check the UV cell. Check the safety device. The oil pressure during prepurging is too low.

Filters clogged. Nozzles are too worn. The oil temperature is too low (flame jumps). Eccles of combustion air related to nozzles flow rate

IF THE BURNER LIGHTS BUT CUTS OUT AFTER OPERATING FOR A FEW MINUTES:

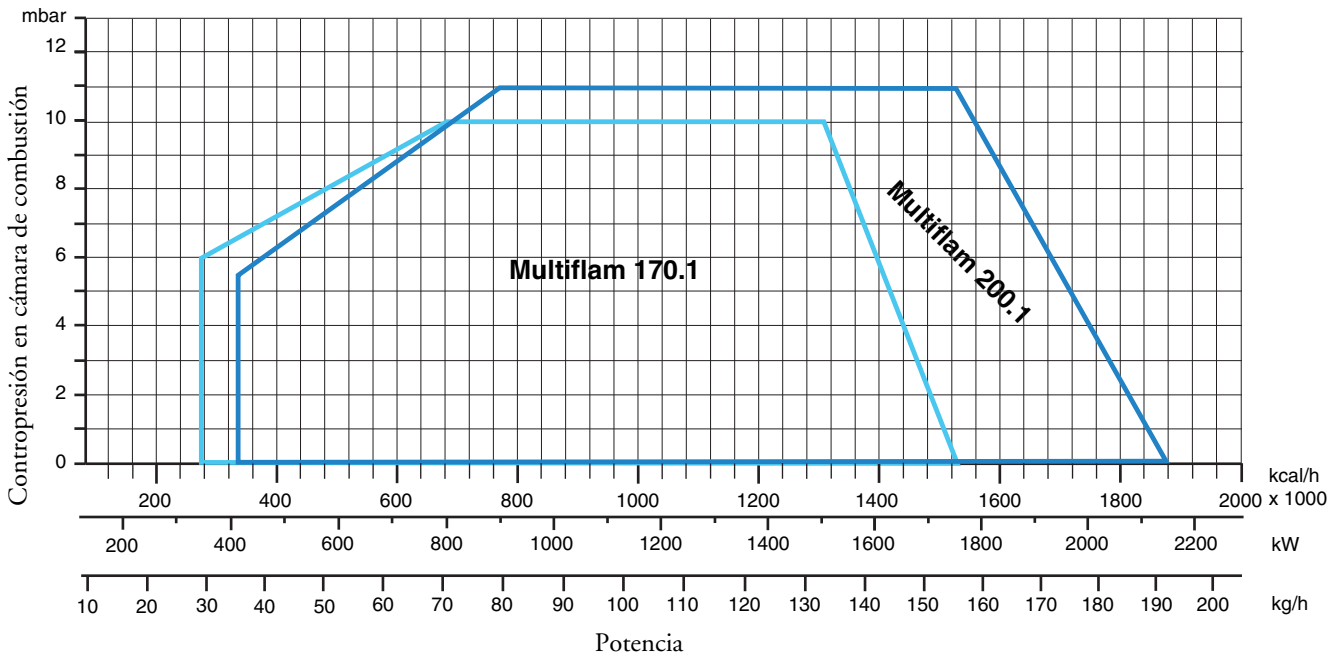
check the pressure regulator and gas filter. Check the gas pressure with a pressure gauge. Check the detector value (at least 200 μ A).

CARACTERISTICAS TECNICAS

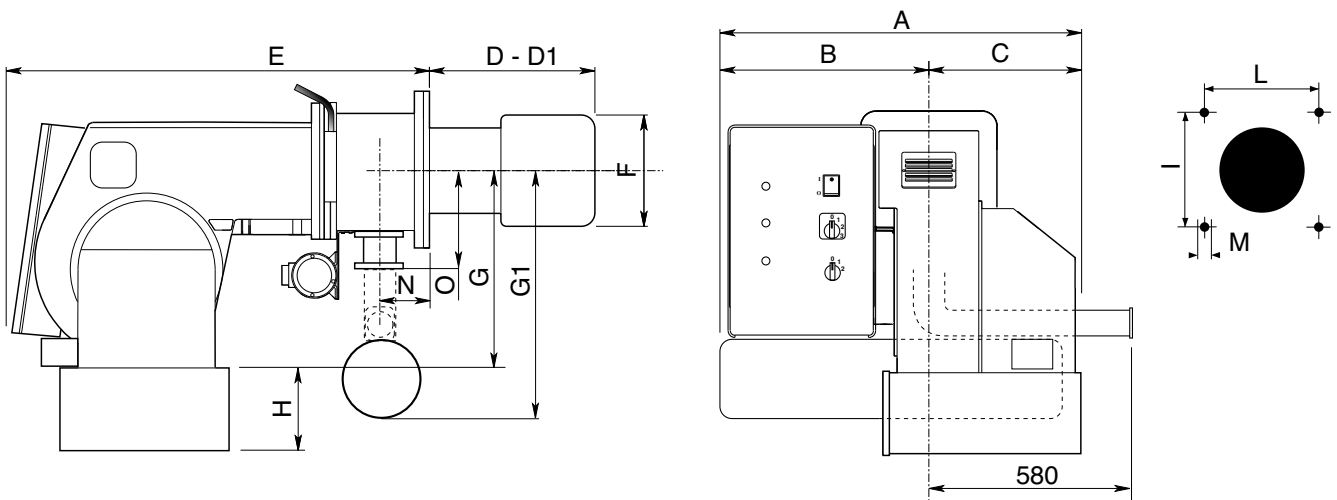
ES

MODELO		170.1	200.1
Potencia térmica máx.	kW	1770	2150
	kcal/h	1.526.000	1.853.450
Potencia térmica min.	kW	342	414
	kcal/h	295.000	356.900
Presión gas	mbar	20÷300	20÷300
Alimentación eléctrica 50 Hz	V	230/400	230/400
Motor	kW	3	4
Velocidad	Nº	2800	2800
Combustible :	Natural Gas (L.C.V. 8.570 kcal/Nm³), Fuel Pesado (L.C.V. 9.800 kcal/kg max. visc 50°C at 50°C)		

CURVAS DE TRABAJO



DIMENSIONES TOTALES



MODELOS	A	B	C	D	D1	E	F	G	G1	H	I	L	M	N	O
Multiflam 170.1	848	530	318	295	455	1150	250	398	600	283*	315	315	M16	125	250
Multiflam 200.1	848	530	318	295	455	1150	270	398	600	283*	315	315	M16	125	250

* Opción

D = Cabeza corta D1 = Cabeza larga

CONEXIÓN ELÉCTRICA

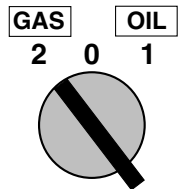
Todos los quemadores están ensayados a 400V/50Hz trifásico para los motores, y 230V/50Hz monofásico con neutro para los auxiliares. Si fuese necesario alimentar el quemador con 230V trifásico sin neutro, provéase a las modificaciones necesarias con referencia al esquema específico del quemador y averiguar que el relé térmico esté dentro del campo de absorción del motor. Averiguar también el sentido de rotación del motor del ventilador.

CONEXIÓN A LA RED

Después de haber conectado el quemador a la tubería del gas, es necesario averiguar si esta última está perfectamente estanca. Averiguar también que la chimenea no esté obstruida. Abrir la válvula de corte, purgar cuidadosamente la tubería al través de la toma de presión y luego controlar el valor de la presión con un manómetro apropiado. Suministrar tensión a la instalación y regular los termostatos a la temperatura que se desea. Cuando cierran los termostatos, el equipo de control de estancación efectúa un ensayo de estancación de las válvulas; al término de la prueba el quemador recibe el consentimiento para efectuar el ciclo de puesta en marcha.

PUESTA EN MARCHA DEL QUEMADOR

Antes de poner en marcha el quemador, efectuar los siguientes controles: - Tipo de gas y presión de alimentación. - Válvulas del gas cerradas - Estanqueidad de las conexiones - Purgar la tubería del gas y control de la presión en ingreso - Que el cableado sea conforme al esquema, con respeto de la fase y neutro - Que el quemador se pare cuando el termostato caldera se abre - La estanqueidad del hogar para evitar el ingreso de aire - La estanqueidad de la conexión caldera-chimenea - La condición de la chimenea (estanco, non obstruido...) Al cumplir de todas estas condiciones poner en marcha el quemador. El equipo de control arranca el quemador para efectuar el prebarrido de la cámara de combustión. Durante este periodo de prebarrido (cerca de los 30 segundos) el equipo comprueba que la presión del aire sea correcta por medio del presostato del aire. Al termino alimenta el transformador y abre las válvulas del gas. La formación de la llama tiene que efectuarse y estabilizarse dentro de los 3 segundos, que es el tiempo de seguridad del equipo. Averiguar a vista la presencia de la llama antes de introducir cualquiera instrumentación de control. Regular y comprobar el caudal del gas necesario a la caldera por medio del contador. Adecuar el caudal del aire al caudal del gas para obtener una combustión correcta.

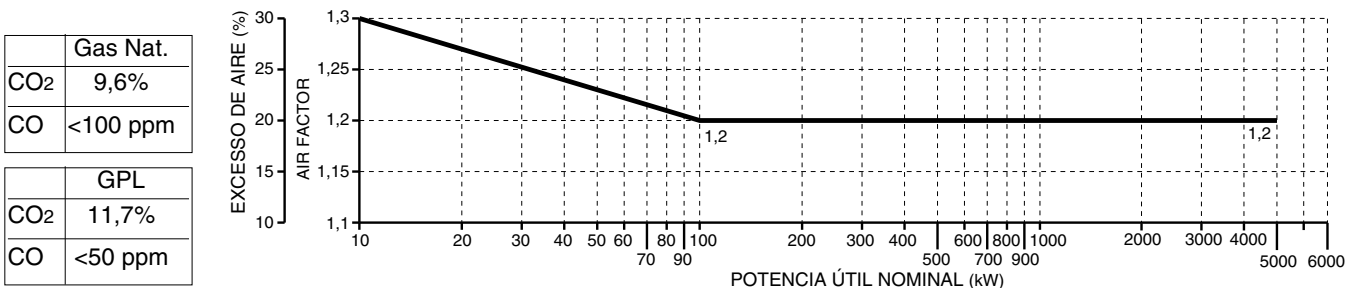


ADVERTENCIAS IMPORTANTES - Todos los equipos regulables tienen que ser fijados por el instalador después de cada regulación. Por cada regulación comprobar la combustión a la chimenea. Los valores de CO₂ deben ser cerca de 9,7 (G20) 9,6 (G25) 11,7 (13B) 11,7(13P) y el CO inferior a los 75ppm.

REGULACIÓN DE LA COMBUSTIÓN

CUIDADO: para obtener una correcta regulación de la combustión y de la potencia térmica nominal se necesita efectuar una análisis de los humos con una apropiada instrumentación. La regulación de la combustión y de la potencia debe ser efectuada contemporáneamente a una análisis de los productos de la combustión, asegurándose que los valores averiguados sean correctos y, de toda manera, que correspondan a las normas vigentes de seguridad.

ESTA OPERACIÓN TIENE QUE SER EFECTUADA POR TECNICOS PROFESIONALMENTE CALIFICADOS Y AUTORIZADOS POR YGNIS.



CALCULO DE LA POTENCIA DE FUNCIONAMIENTO DEL QUEMADOR

Para calcular la potencia de funcionamiento, en kW, del quemador, proceder de la manera siguiente:

Comprobar al contador la cantidad de litros suministrados y la duración, en segundos, de la lectura, luego proceder al calculo de la potencia con la formula siguiente:vd

$$\frac{e}{s} \times f = kW$$

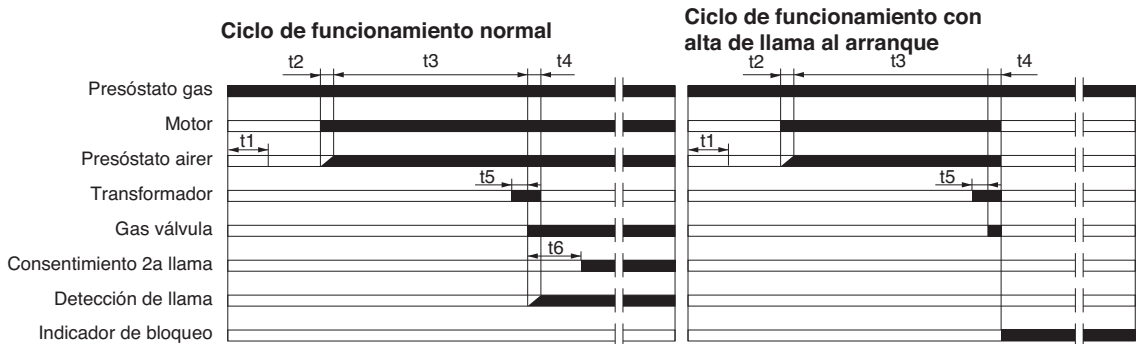
e = Litros de gas
s = Tiempo en segundos

$$f \begin{cases} G20 = 34,02 \\ G25 = 29,25 \\ G30 = 116 \\ G31 = 88 \end{cases}$$

CICLOS DE FUNCIONAMIENTO DEL EQUIPO LANDIS & STAefa MOD. LGB 22

ES

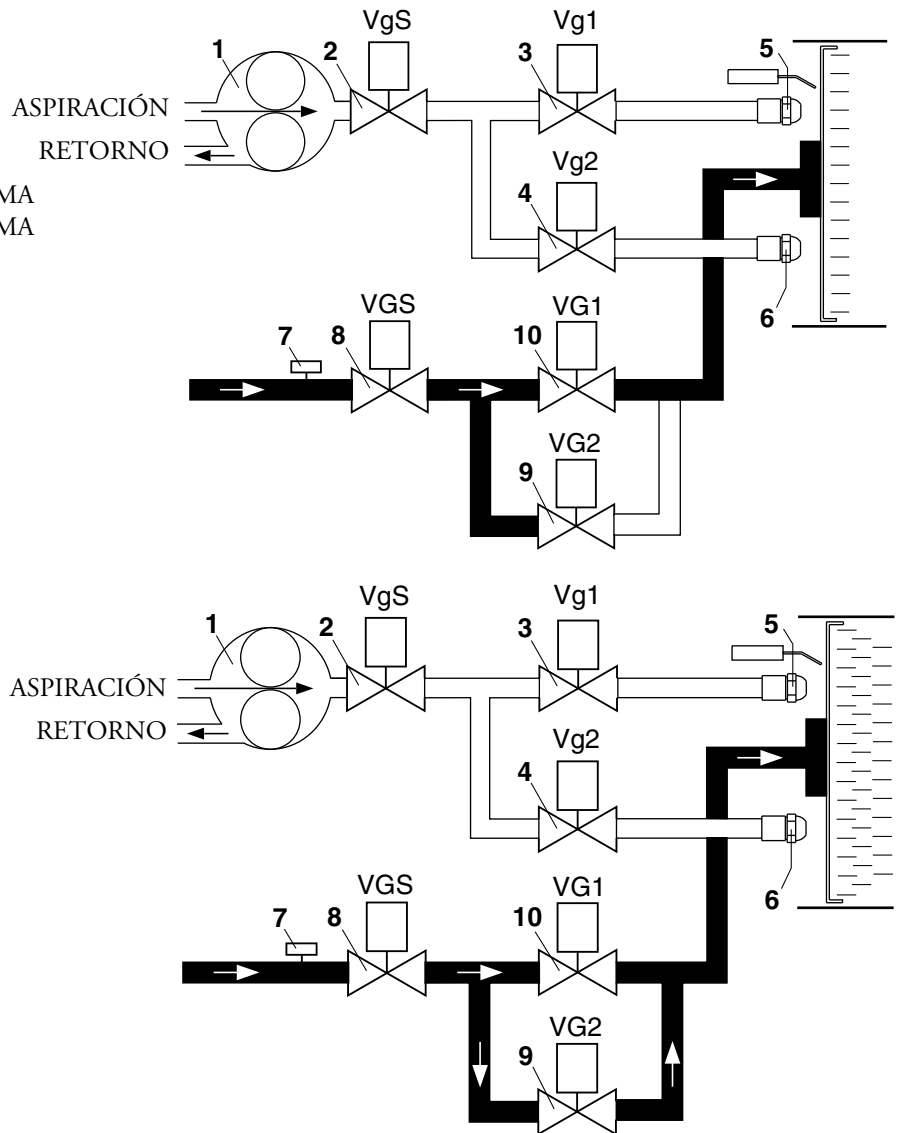
El equipo de control de llama pone en marcha el quemador para efectuar el prebarrido de la cámara de combustión, controlando la presión del aire de ventilación por medio del presostato del aire. Al término del prebarrido se activa el transformador de encendido, generando una chispa entre los electrodos y al mismo tiempo se abren las válvulas del gas (válvula de seguridad VS y válvula de trabajo VL). La seguridad total, en caso de falta de encendido o de apagado accidental está confiada a una sonda de detección que activa la puesta en seguridad de la instalación dentro del tiempo de seguridad. En caso de falta de gas o de una notable bajada de presión, el presostato gas de mínima provee a cortar el funcionamiento del quemador.



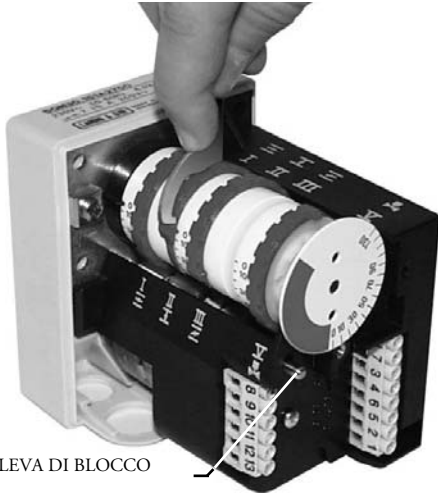
	Descripción	⌚
t1	Tiempo de control de presostato aire	9"
t2	Tiempo de espera de la confirmación presión del aire	3"
t3	Tiempo de prebarrido	30"
t4	Tiempo de seguridad	3"
t5	Tiempo de pre-encendido	3"
t6	Tiempo para el consentimiento de funcionamiento de la 2a válvula del combustible	8"

SISTEMA HIDRÁULICO GAS

- 1 - BOMBA
- 2 - VALVULA GASOLEO DE SEGURIDAD
- 3 - VÁLVULA FUEL PESADO 1a LLAMA
- 4 - VÁLVULA FUEL PESADO 2a LLAMA
- 5 - INYECTOR 1a LLAMA
- 6 - INYECTOR 2a LLAMA
- 7 - PRESOSTATO GAS
- 8 - VÁLVULA GAS DE SEGURIDAD
- 9 - VÁLVULA GAS 1a LLAMA
- 10 - VÁLVULA GAS 2a LLAMA



SERVOMOTOR DEL CIERRE DEL AIRE LANDIS & STAefa SQN 30 151A2700



Remove the cover to access the adjustment levers. The regulation of the levers must be carried out with an appropriate key of the supplier. Description:

- I - Lever for regulation of air shut-off in 2nd flame (max. power)
- II - Lever for regulation of the position of the shut-off when extinguished (shut-off)
- III - Lever for regulation of the position of opening in 1st flame (min. power)
- V - Lever for the consent to opening of the 2nd flame solenoid valve

NOTA :

The lever V (of consent to opening of the 2nd flame solenoid valve) must be regulated in an intermediate position between that of the 1st flame and that of the 2nd (below an angle of 5° superior to that of the position of the 1st flame).

LEVA DI BLOCCO

QUEMADORES VERSIONES “PAB” ENSAMBLAJE Y REGULACIÓN DE LA RAMPA DE GAS.

Mount the gas manifold by tightening the bolts of the joint and taking care to place correctly the position of the gasket. Connect electronically the gas manifold through the 6-pin plug. Light the burner (in the factory it has already been pre-adjusted to maximum) and verify the tightness of the gas fittings in the installation. To adapt the burner to the effective power of the boiler proceed as follows:

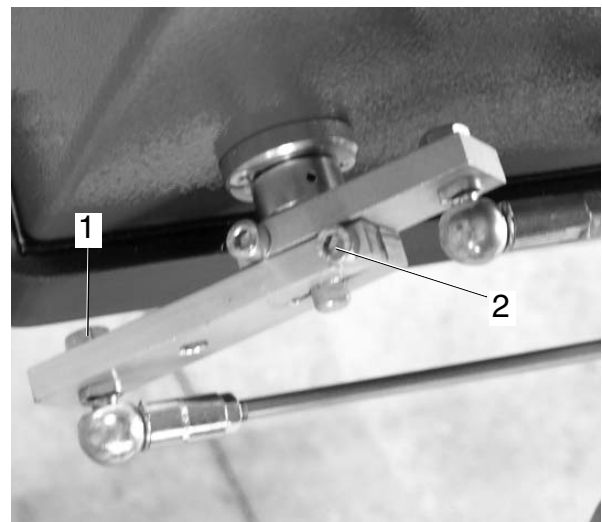
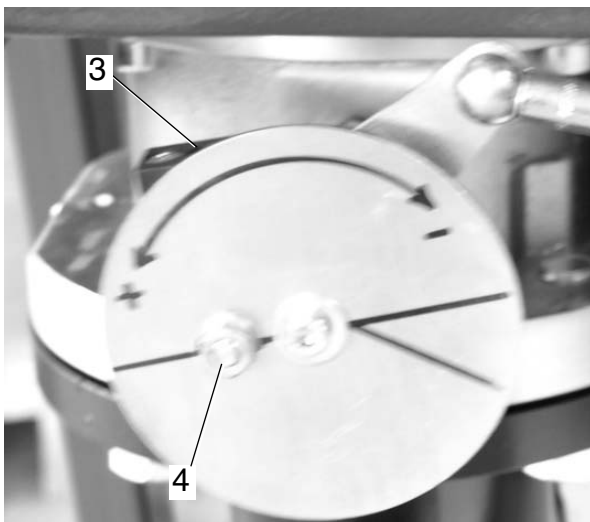
Alta llama

1. Carry the burner to high flame (the position of the air shut-off must be at 75° (maximum opening), to regulate the air flow work on the position of the combustion head. Only in particular cases is it necessary to reduce the air in high flame by closing the aspiration).
2. The position of the gas nut must be inferior to 90° (e.g. 85°, it is important not to exceed 90° to obtain an optimal combustion during the passage from high to low flame). Correct if necessary this position by touching the bolts “1” after having adjusted the nut “2”
3. Regulate the gas flow in high flame through the stabilizer, or in the adjustable gas valve.

Baja llama

4. Choose the position of the first stage on the servomotor (normally understood between 10° and 30°) based on the reduced power necessary, and switch to low flame.
5. Regulate the gas flow to obtain optimal combustion, varying the position of the valve through the bolt “3”, after having adjusted the nut “4”
6. Carry the burner to high flame and eventually reposition the valve as indicated in point 2.
7. If necessary, repeat more times the operations described in points 5 and 6 to obtain the exact positions of the valves, both in high and in low flame.

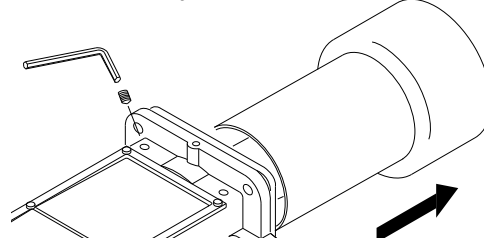
8. Fijar tuercas



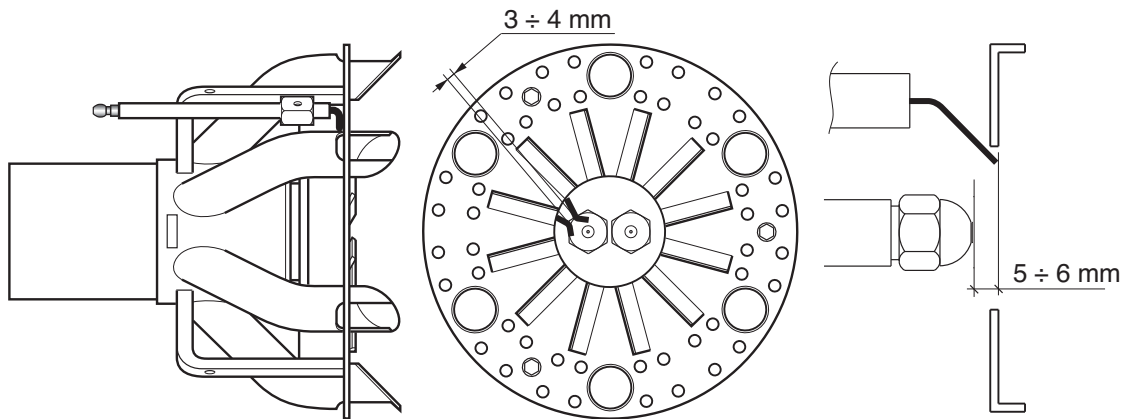
REGULACIÓN DE LA COMBUSTIÓN

ES CUIDADO: para obtener una correcta regulación de la combustión y del caudal térmico, estos tienen que ser hechos conjuntamente a una análisis de la combustión, a efectuarse por medio de instrumentos apropiados, comprobando que los datos sean correctos y se conformen a las normas de seguridad locales. Las operaciones de regulación tienen que ser efectuadas por técnicos expertos y calificados, autorizados por Ygnis.

DESMONTAJE DEL TUBO DE LLAMA



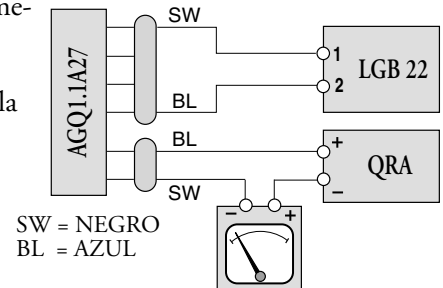
POSICIÓN DE LOS ELECTRODOS



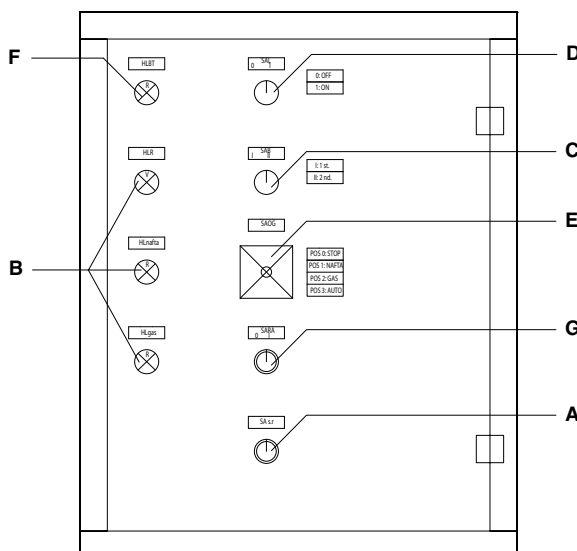
COMPROBACIÓN EQUIPO DE DETECCIÓN DE LLAMA

El control de la corriente de detección, se efectua intercalando un microamperimetro con escala de 1000 μ A (corriente continua) en serie al UV.

Si la corriente de detección muy baja, verificar la conexión entre fase y neutro del quemador y la toma a tierra del mismo quemador. Normalmente el valor de la corriente de detección es 200 μ A.



DESCRIPCIÓN DEL PANNEL DE MANDO DE LOS QUEMADORES



- A - pulsador de desbloqueo
- B - Indicador del funcionamiento rojo(Fuel pesado) rojo(gas) verde(resistencia)
- C - conmutador:
I = potencia mínima
II = potencia máxima
- D - interruptor I / O
- E - conmutador:
0 = STOP
1 = funcionamiento a Fuel pesado
2 = funcionamiento a Gas
3 = automatic
- F - Indicador de bloqueo
- G - interruptor resistencias

ALIMENTACIÓN FUEL PESADO

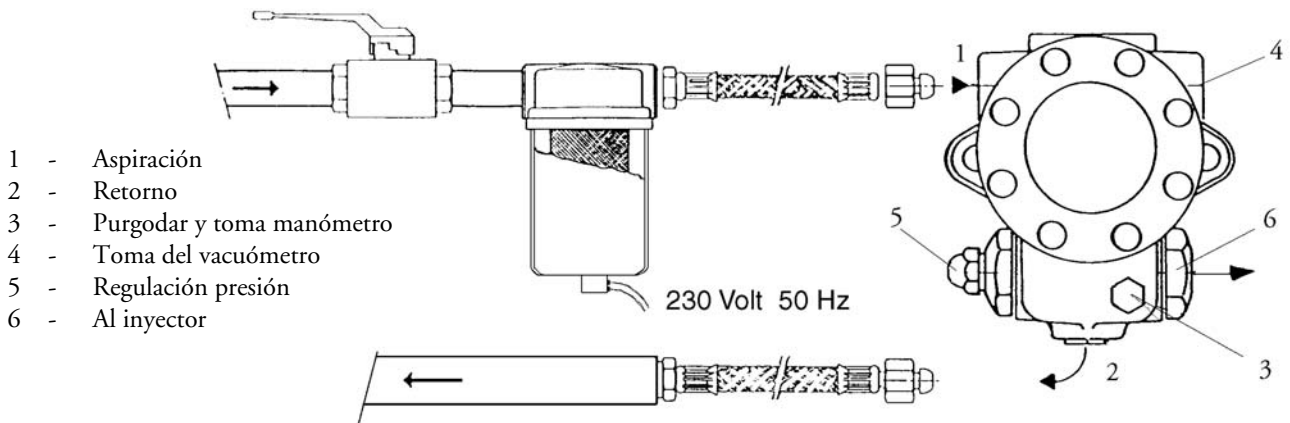
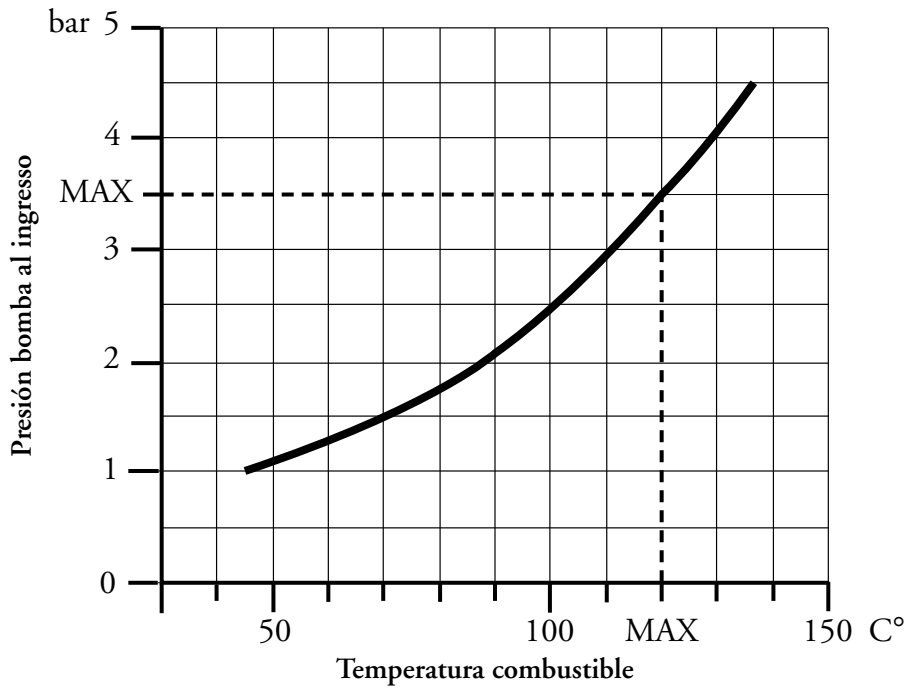
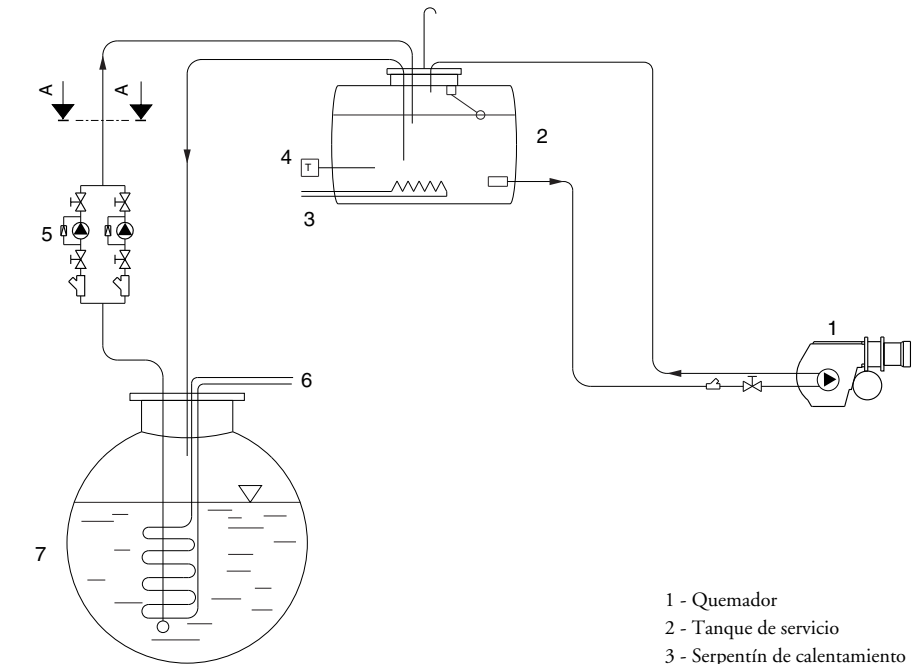


DIAGRAMA PRESIÓN DE LA BOMBA / TEMPERATURA COMBUSTIBLE

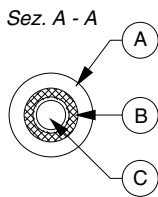
La gasificación de fracciones volátiles en el fuel pesado precalentado, resulta ser la causa principal del desgaste prematuro de la bomba de alimentación. Para evitar este problema, regular la presión de la bomba según el diagrama abajo.



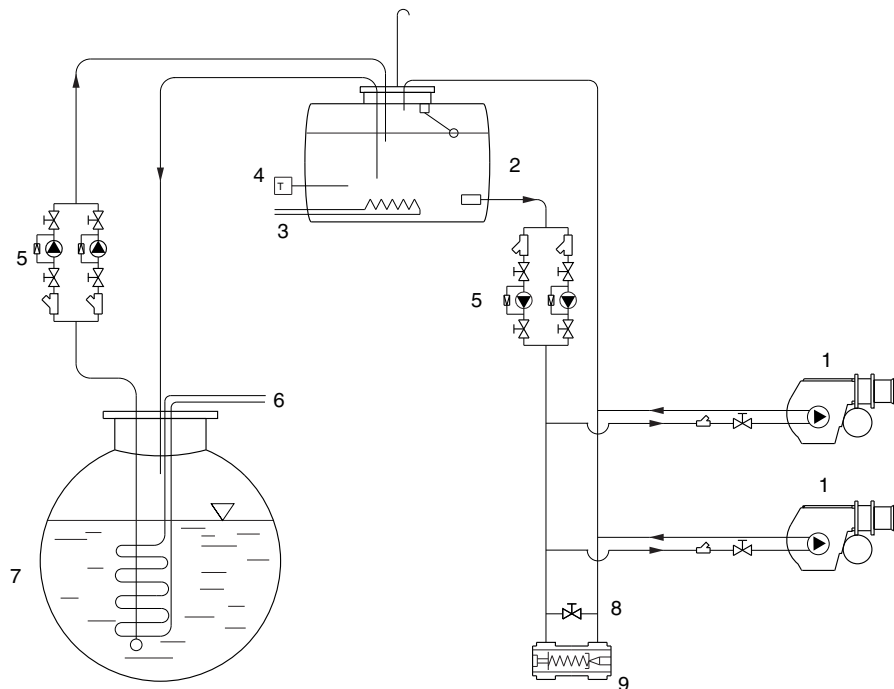
ESQUEMA DE ALIMENTACIÓN DEL COMBUSTIBLE



- 1 - Quemador
- 2 - Tanque de servicio
- 3 - Serpentín de calentamiento
- 4 - Termóstato
- 5 - Grupo bombas de saca
- 6 - Calentador
- 7 - Tanque del combustible
- 8 - By-pass
- 9 - Regulador de presión



- A - Aislamiento
- B - Resistencia eléctrica
- C - Tubo de salida del combustible



IMPORTANTE:

Todas las líneas del combustible son calentadas (ver sección A - A en la ilustración)

PROSPECTO INYECTORES PARA FUEL PESADO

Presión bomba bar

GPH	10	11	12	13	14	15	16	17	18	19	20	21	22	23	24	25	26	27	28	29	30
0,60	2,5	2,6	2,7	2,9	3,0	3,1	3,2	3,3	3,4	3,4	3,5	3,6	3,7	3,8	3,9	4,0	4,0	4,1	4,2	4,3	4,3
0,65	2,7	2,8	3,0	3,1	3,2	3,3	3,4	3,5	3,6	3,7	3,8	3,9	4,0	4,1	4,2	4,3	4,4	4,4	4,5	4,6	4,7
0,75	3,1	3,3	3,4	3,5	3,7	3,8	3,9	4,0	4,2	4,3	4,4	4,5	4,6	4,7	4,8	4,9	5,0	5,1	5,2	5,3	5,4
0,85	3,5	3,7	3,8	4,0	4,1	4,3	4,4	4,6	4,7	4,8	4,9	5,1	5,2	5,3	5,4	5,5	5,6	5,8	5,9	6,0	6,1
1,00	4,2	4,4	4,6	4,8	5,0	5,1	5,3	5,5	5,6	5,8	5,9	6,1	6,2	6,4	6,5	6,6	6,8	6,9	7,0	7,2	7,3
1,10	4,6	4,8	5,0	5,2	5,4	5,6	5,8	6,0	6,2	6,3	6,5	6,7	6,8	7,0	7,1	7,3	7,4	7,6	7,7	7,8	8,0
1,20	5,0	5,2	5,5	5,7	5,9	6,1	6,3	6,5	6,7	6,9	7,1	7,2	7,4	7,6	7,7	7,9	8,1	8,2	8,4	8,5	8,7
1,25	5,2	5,5	5,7	5,9	6,2	6,4	6,6	6,8	7,0	7,2	7,4	7,5	7,7	7,9	8,1	8,2	8,4	8,5	8,7	8,9	9,0
1,35	5,6	5,9	6,1	6,4	6,6	6,9	7,1	7,3	7,5	7,7	7,9	8,1	8,3	8,5	8,7	8,9	9,0	9,2	9,4	9,5	9,7
1,50	6,2	6,5	6,8	7,1	7,3	7,6	7,8	8,1	8,3	8,5	8,8	9,0	9,2	9,4	9,6	9,8	10,0	10,2	10,4	10,6	10,7
1,65	6,9	7,2	7,6	7,9	8,2	8,5	8,7	9,0	9,3	9,5	9,8	10,0	10,2	10,5	10,7	10,9	11,1	11,3	11,5	11,8	12,0
1,75	7,3	7,7	8,0	8,3	8,6	8,9	9,2	9,5	9,8	10,1	10,3	10,6	10,8	11,1	11,3	11,5	11,8	12,0	12,2	12,4	12,6
2,00	8,3	8,7	9,1	9,5	9,8	10,2	10,5	10,8	11,1	11,4	11,7	12,0	12,3	12,6	12,9	13,1	13,4	13,6	13,9	14,1	14,4
2,25	9,4	9,9	10,3	10,7	11,1	11,5	11,9	12,3	12,6	13,0	13,3	13,6	13,9	14,3	14,6	14,9	15,2	15,4	15,7	16,0	16,3
2,50	10,4	10,9	11,4	11,9	12,3	12,7	13,2	13,6	14,0	14,3	14,7	15,1	15,4	15,8	16,1	16,4	16,8	17,1	17,4	17,7	18,0
3,00	12,5	13,1	13,7	14,3	14,8	15,3	15,8	16,3	16,8	17,2	17,7	18,1	18,5	19,0	19,4	19,8	20,2	20,5	20,9	21,3	21,7
3,50	14,6	15,3	16,0	16,6	17,3	17,9	18,5	19,0	19,6	20,1	20,6	21,2	21,7	22,1	22,6	23,1	23,5	24,0	24,4	24,9	25,3
4,00	16,6	17,4	18,2	18,9	19,6	20,3	21,0	21,6	22,3	22,9	23,5	24,1	24,6	25,2	25,7	26,2	26,8	27,3	27,8	28,3	28,8
4,50	18,7	19,6	20,5	21,3	22,1	22,9	23,7	24,4	25,1	25,8	26,4	27,1	27,7	28,4	29,0	29,6	30,2	30,7	31,3	31,8	32,4
5,00	20,8	21,8	22,8	23,7	24,6	25,5	26,3	27,1	27,9	28,7	29,4	30,1	30,9	31,5	32,2	32,9	33,5	34,2	34,8	35,4	36,0
5,50	22,9	24,0	25,1	26,1	27,1	28,0	29,0	29,9	30,7	31,6	32,4	33,2	34,0	34,7	35,5	36,2	36,9	37,6	38,3	39,0	39,7
6,00	25,0	26,2	27,4	28,5	29,6	30,6	31,6	32,6	33,5	34,5	35,4	36,2	37,1	37,9	38,7	39,5	40,3	41,1	41,8	42,6	43,3
6,50	27,1	28,4	29,7	30,9	32,1	33,2	34,3	35,3	36,4	37,4	38,3	39,3	40,2	41,1	42,0	42,8	43,7	44,5	45,3	46,1	46,9
7,00	29,1	30,5	31,9	33,2	34,4	35,6	36,8	37,9	39,0	40,1	41,2	42,2	43,2	44,1	45,1	46,0	46,9	47,8	48,7	49,6	50,4
7,50	31,2	32,7	34,2	35,6	36,9	38,2	39,5	40,7	41,9	43,0	44,1	45,2	46,3	47,3	48,3	49,3	50,3	51,3	52,2	53,1	54,0
8,30	34,5	36,2	37,8	39,3	40,8	42,3	43,6	45,0	46,3	47,6	48,8	50,0	51,2	52,3	53,4	54,5	55,6	56,7	57,7	58,8	59,8
9,50	39,5	41,4	43,3	45,0	46,7	48,4	50,0	51,5	53,0	54,4	55,9	57,2	58,6	59,9	61,2	62,5	63,7	64,9	66,1	67,3	68,4
10,50	43,7	45,8	47,9	49,8	51,7	53,5	55,3	57,0	58,6	60,2	61,8	63,3	64,8	66,3	67,7	69,1	70,5	71,8	73,1	74,4	75,7
12,00	49,9	52,3	54,7	56,9	59,0	61,1	63,1	65,1	66,9	68,8	70,6	72,3	74,0	75,7	77,3	78,9	80,5	82,0	83,5	85,0	86,4
13,80	57,4	60,2	62,9	65,4	67,9	70,3	72,6	74,8	77,0	79,1	81,2	83,2	85,1	87,1	88,9	90,8	92,6	94,3	96,0	97,7	99,4
15,30	63,7	66,8	69,8	72,6	75,4	78,0	80,6	83,1	85,5	87,8	90,1	92,3	94,5	96,6	98,7	100,7	102,7	104,7	106,6	108,5	110,3
17,50	72,8	76,4	79,7	83,0	86,1	89,2	92,1	94,9	97,7	100,3	103,0	105,5	108,0	110,4	112,8	115,1	117,4	119,6	121,8	124,0	126,1
19,50	81,2	85,2	89,0	92,6	96,1	99,4	102,7	105,9	108,9	111,9	114,8	117,7	120,4	123,1	125,8	128,4	130,9	133,4	135,9	138,3	140,6
21,50	89,5	93,9	98,0	102,0	105,9	109,6	113,2	116,7	120,1	123,4	126,6	129,7	132,7	135,7	138,7	141,5	144,3	147,1	149,8	152,4	155,0
24,00	99,9	104,8	109,4	113,9	118,2	122,4	126,4	130,3	134,0	137,7	141,3	144,8	148,2	151,5	154,8	158,0	161,1	164,2	167,2	170,1	173,0
28,00	116,5	122,2	127,6	132,8	137,8	142,7	147,4	151,9	156,3	160,6	164,8	168,8	172,8	176,7	180,5	184,2	187,9	191,4	194,9	198,4	201,8
30,00	124,9	131,0	136,8	142,4	147,8	153,0	158,0	162,8	167,6	172,2	176,6	181,0	185,3	189,4	193,5	197,5	201,4	205,2	209,0	212,7	216,3

Caudal kg/h

ES

COMPROBACIONES A EFECTUAR PARA UNA CORRECTA INSTALACIÓN:

Antes de proceder con el relleno del circuito de alimentación y relativa puesta en marcha del quemador, sería aconsejable efectuar los controles siguientes:

- La línea de alimentación debe ser adecuada a la carga absorbida por la instalación
- Los fusibles deben ser adecuados a la carga absorbida por la instalación
- Los termostatos de caldera tienen que ser correctamente conectados
- Voltaje y frecuencia deben estar en los límites especificados
- El tipo de combustible debe ser lo especificado por el fabricante del quemador
- La sección de la tubería de alimentación debe ser adecuada al caudal de fuel necesitado
- Los filtros, grifos y empalmes deben ser instalados correctamente
- La longitud del tubo de llama debe ser la especificada por el fabricante de la caldera
- El caudal de los inyectores debe ser proporcionado a la potencia de la caldera

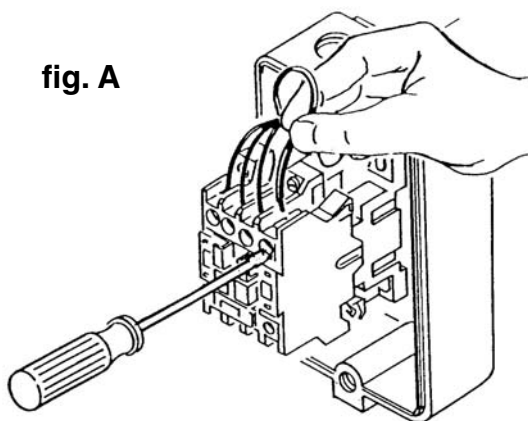


fig. A

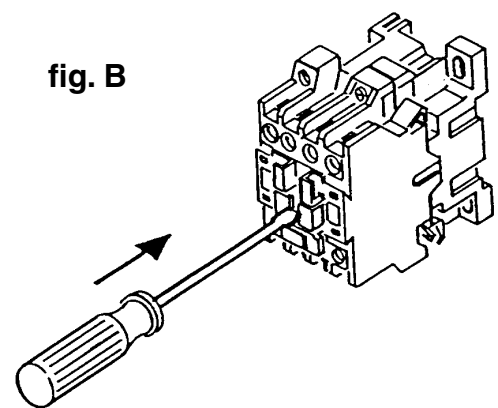


fig. B

FUNCIONAMIENTO DEL QUEMADOR

Una vez que se habrán comprobados todos los controles como indicado en los párrafos precedentes, será posible de proceder con la puesta en marcha del quemador.

- Arrancar el quemador. Al alcanzar de la temperatura seleccionada por el termostato de trabajo, y con los contactos de la caldera cerrados, el equipo de control llama arranca el ventilador, la bomba del combustible y el transformador de encendido. Al mismo tiempo son conectadas las resistencias de nivelación, que sirven para mantener la temperatura del fuel pesado en el calentador a un valor constante.

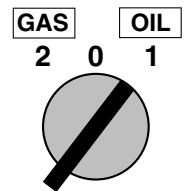
- Empieza, así, la fase de prebarrido de la cámara de combustión y la circulación del fuel pesado en todo el circuito, para obtener una uniformidad de temperatura que permita un correcto escurrimiento del mismo.

La presión del combustible durante la fase de prebarrido deberá ser a los 16÷18 bar. Si así no fuese, regular la presión al valor indicado por medio del regulador "D" instalado, por este fin, en el circuito de precalentamiento (ver a la ilustración).

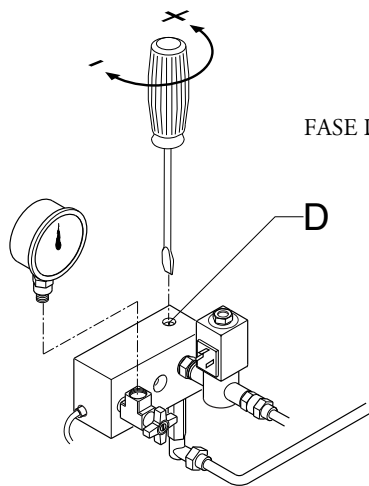
- Al término del prebarrido, el equipo de control cierra la electroválvula "O" y abre, al mismo tiempo, la válvula de 1º etapa (por ejemplo la electroválvula "A") permitiendo el encendido del quemador en Baja Llama. A la sucesiva abertura de la electroválvula "B", que permite al fuel pesado de ser inyectado por los dos inyectores, tendrá lugar el encendido en Alta Llama, o sea a pleno régimen.

- Para una combustión correcta, regular el caudal del aire de combustión ya sea en Baja que en Alta llama. Durante la fase de regulación es posible de pasar manualmente de Baja Llama en Alta Llama y viceversa por medio del interruptor BAJA/ALTA. Una vez acabadas las regulaciones, dejar el interruptor en posición II (ALTA).

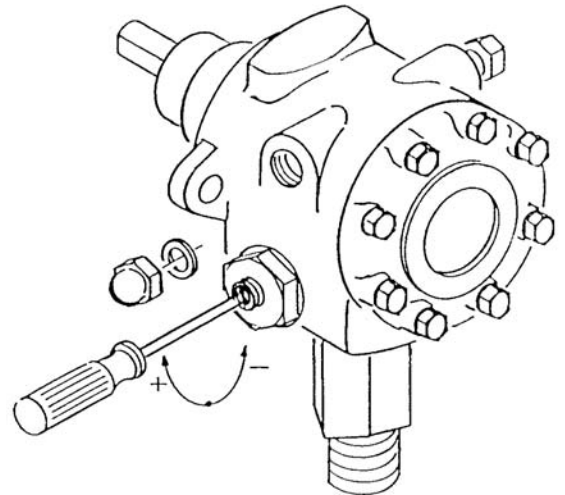
- La presión de la bomba del combustible, con el quemador en marcha, deberá ser regulada a los 23 bar.



REGULACIÓN DE LA PRESIÓN



FASE DE PREBARRIDO



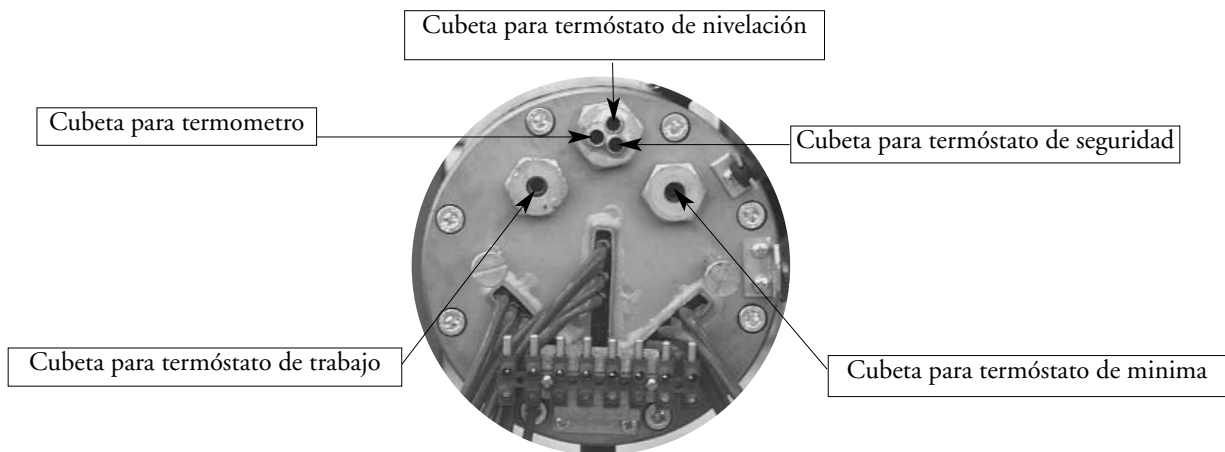
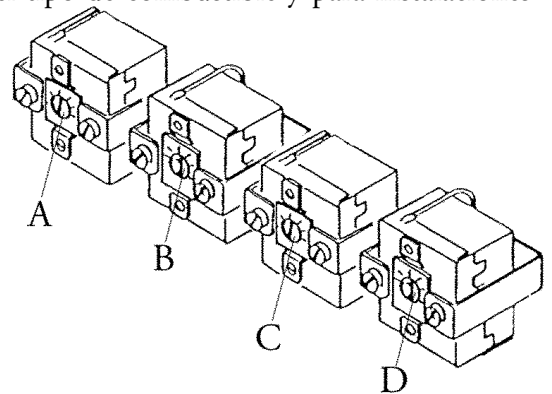
CUIDADO: Para un correcto funcionamiento de la bomba, comprobar los datos siguientes:

- Bomba : SUNTEC E4NC 1069
- Temperatura máxima del fuel pesado a la bomba: Max. 120 °C
- Presiones máximas admisibles: Máx. 3,5 bar en ingreso.

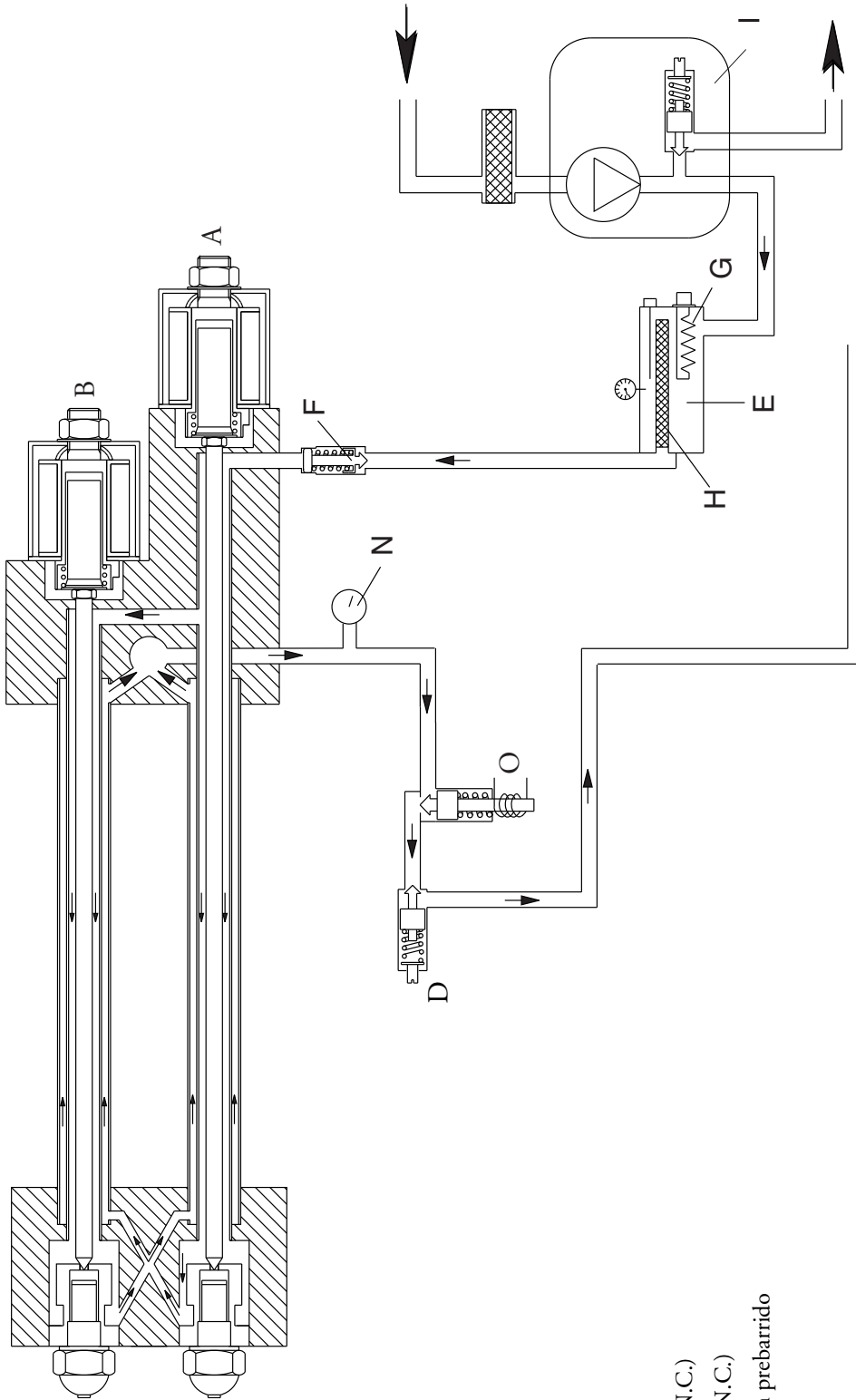
REGULACIÓN DE LOS TERMOSTATOS FUEL PESADO

El termostato de trabajo de las resistencias tiene que ser regulado a 120 °C y el termostato de seguridad a 160 °C. Estas regulaciones pueden ser ligeramente modificadas según el tipo de combustible y para instalaciones especiales.

- A - Termostato de seguridad (160° C).
- B - Termostato de trabajo (120° C).
- C - Termostato de nivelación (130° C).
- D - Termostato de mínima fuel pesado (90° C).



ES



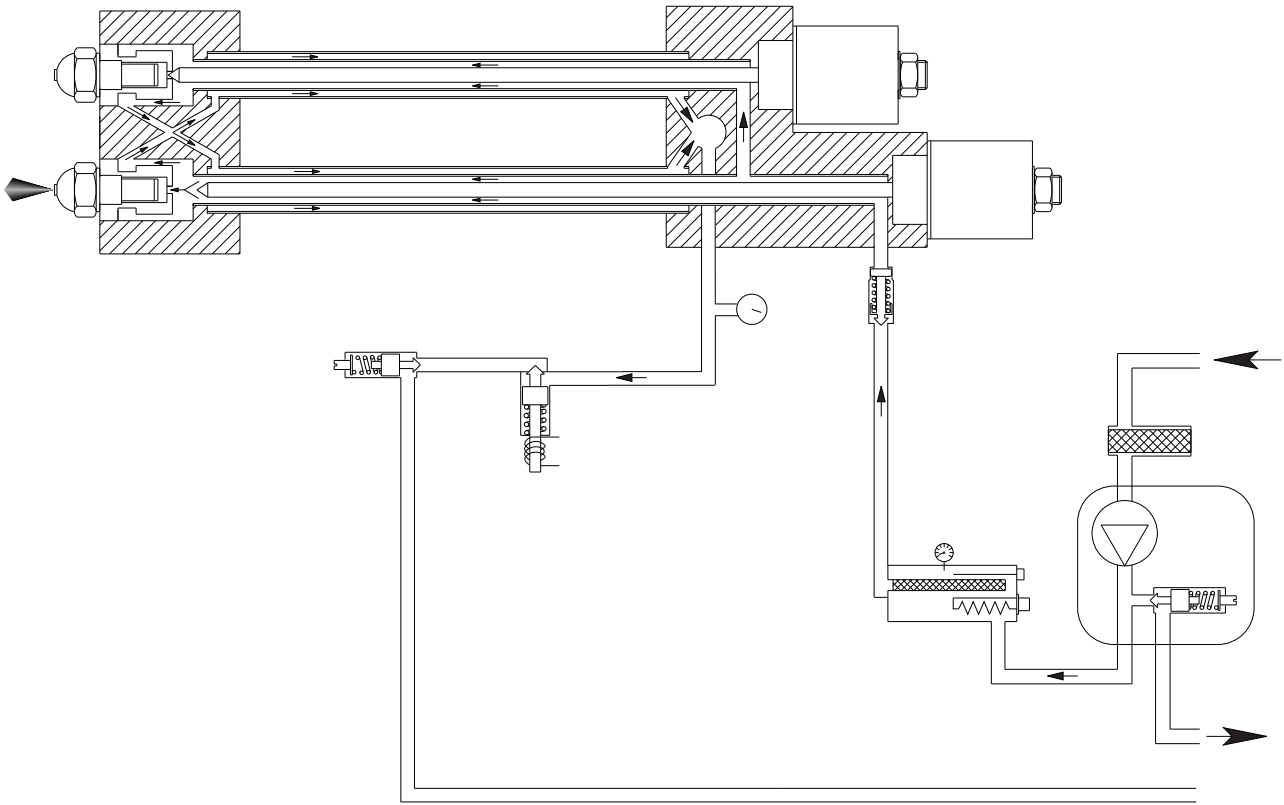
FASE DE PREBARRIDO

Leyenda :

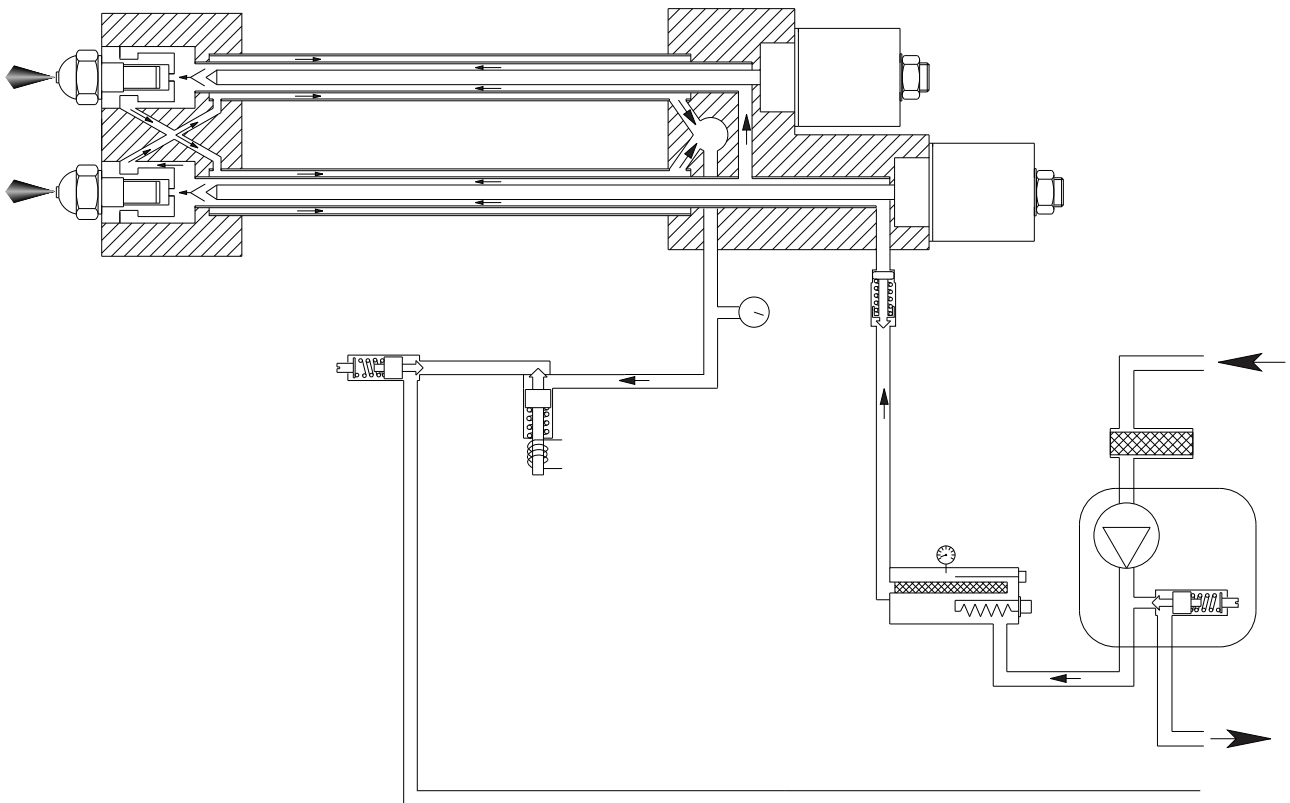
- A. Electroválvula de Baja Llama (N.C.)
 - B. Electroválvula de Alta Llama (N.C.)
 - D. Regulador del caudal del fuel en prebarrido
 - E. Pre calentador
 - F. Válvula antigás
 - G. Resistencias
 - H. Filtro
 - I. Bomba combustible
 - N. Manometro
 - O. Electroválvula (N.O.)
- N.C. = Norm. cerrada
N.O. = Norm. abierta

Baja Llama

ES

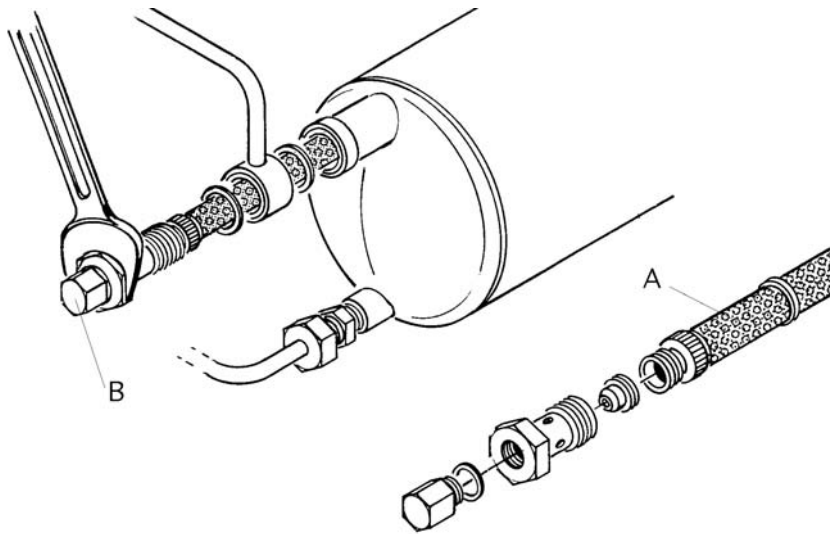


Alta Llama



LIMPIEZA Y MANTENIMIENTO DE LOS FILTROS AL INTERIOR DEL TANQUE CALENTADOR

ES



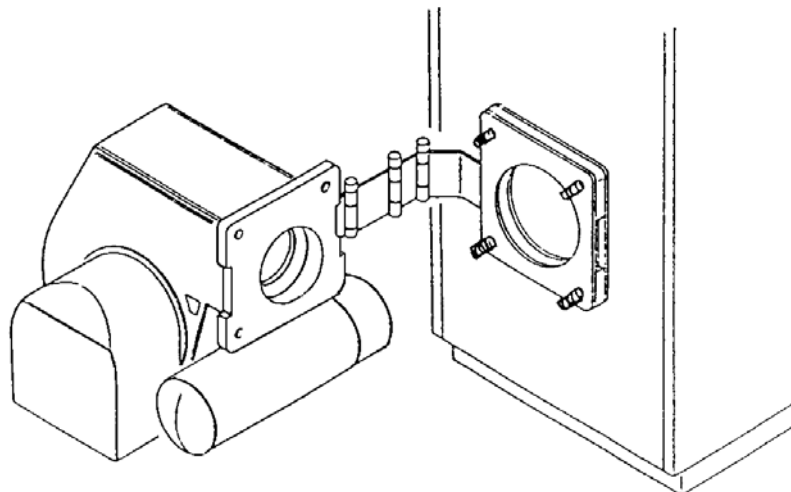
EXTRACCIÓN DEL FILTRO

1. Apagar el quemador
2. Aflojar el tornillo B y descargar una parte del aceite contenido en el tanque calentador para que el nivel del líquido descienda más bajo de lo del filtro.
3. Destornillar y sacar de su sede el mango del filtro A
4. Después de haber limpiado el filtro, remontar sus piezas como indicado por la ilustración y reintroducirlo en su propia sede.

Es una buena norma reemplazar todas las juntas del filtro cada vez que se desmontan los mismos.

Se recuerda que cada vez que el quemador es en marcha, en el calentador hay una presión cerca de 23 bar y que es muy peligroso efectuar dichas operaciones cuando el quemador está en función.

INSTALACIÓN DEL QUEMADOR



MANTENIMIENTO

CONTROL ANUAL:

El control periódico del quemador (cabeza de combustión, electrodos etc.) tiene que ser efectuado por técnicos autorizados una o dos veces cada año, según la utilización del quemador. Antes de proceder con las operaciones de mantenimiento, es aconsejable comprobar el estado general del quemador actuando de la manera siguiente:

- Desconectar la clavija del quemador de la red.
- Cerrar la válvula de cierre del gas.
- Sacar la tapa del quemador y limpiar ventilador y conducto de aspiración del aire.
- Limpiar la cabeza de combustión y comprobar la posición de los electrodos.
- Remontar el todo.
- Comprobar la estanqueidad de las uniones del gas.
- Comprobar la chimenea.
- Arrancar el quemador y comprobar los parámetros de combustión

ANTES DE CADA INTERVENCION COMPROBAR:

- Que hay corriente en la instalación y que el quemador sea conectado.
- Que la presión del gas sea la correcta y la válvula de cierre esté abierta.
- Que los equipos de control estén debidamente conectados.
- Cuando todas estas condiciones se cumplen, arrancar el quemador presionando el botón de bloqueo y comprobar la secuencia de encendido.

BREVE GUIA DE AVERIAS:

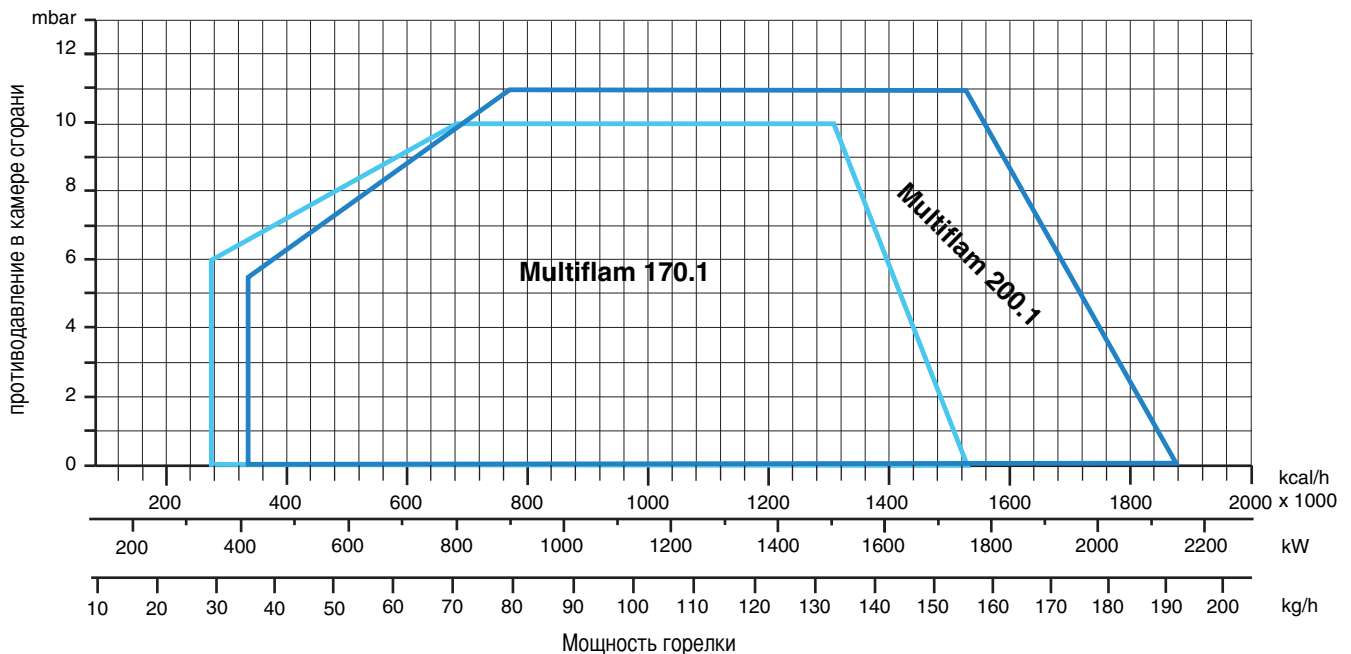
- **El quemador no arranca:**
comprobar el interruptor de I/O, los termostatos, el motor, la presión del gas, el equipo de control de estanqueidad (si lo hay).
- **El quemador efectúa el prebarrido pero se pone en seguridad al final del ciclo:**
comprobar la presión del aire, el ventilador y el presostato del aire.
- **El quemador efectúa el prebarrido pero no se enciende:**
comprobar el montaje y la posición de los electrodos, el cable de encendido, el transformador de encendido, el equipo de control llama, inyector estorbadas y las electroválvulas del gas.
- **El quemador se enciende pero se pone en seguridad al cumplir del tiempo de seguridad:**
comprobar que fase y neutro sean conectados correctamente; comprobar posición y conexión de la sonda de ionización; comprobar el equipo de control de llama; la presión del fuel pesado durante prepurging es demasiado baja; filtro fuel pesado es estorbadas. La temperatura de fuel pesado es demasiado baja (los saltos de la llama).
- **El quemador se enciende normalmente pero se pone en seguridad después unos minutos de funcionamiento:**
comprobar el regulador de presión y el filtro del gas; controlar la presión del gas; controlar el valor de ionización (min 200 μ A LGB22); comprobar los valores de la combustión.

ТЕХНИЧЕСКИЕ ДАННЫЕ

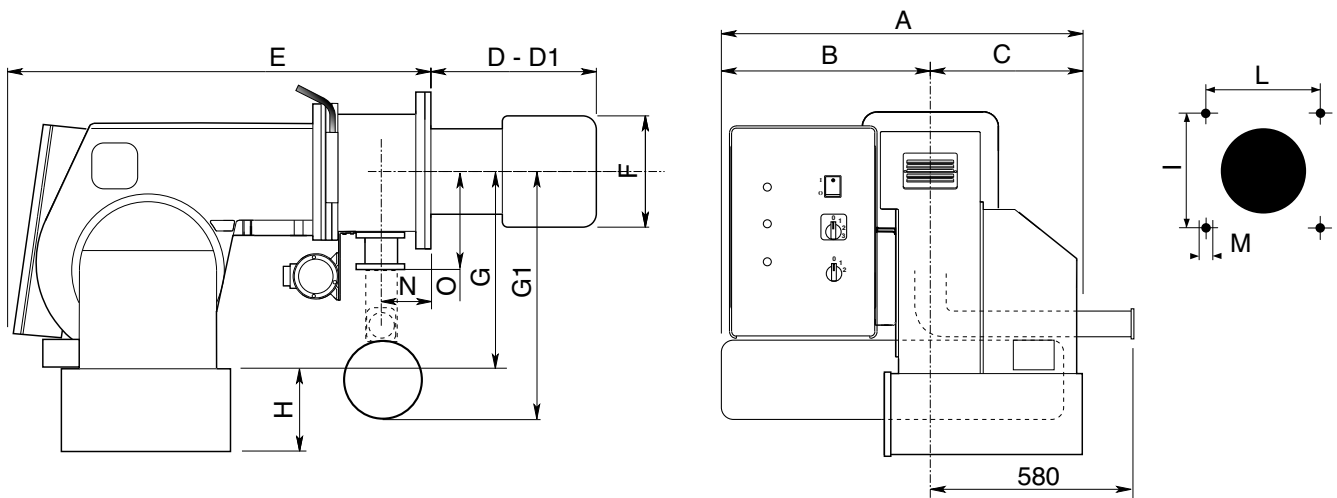
RU

МОДЕЛИ		170.1	200.1
Макс. Теплопроизводительность	кВт	1770	2150
	ккал/час	1.526.000	1.853.450
Минималн. тепловая мощность	кВт	342	414
	ккал/час	295.000	356.900
Минималн. давление (природный газ)	мбар	20÷300	20÷300
Электропитание	В	230/400	230/400
Мощность двигателя	кВт	3	4
Двигатель	об./мин	2800	2800
Вид топлива :	Природный газ (нижн. теплота сгорания 8.570 ккал/Нм ³) Heavy oil (L.C.V. 9.800 kcal/kg max. visc 50°E at 50°C)		

РАБОЧИЙ ДИАПАЗОН



ГАБАРИТНЫЕ РАЗМЕРЫ



МОДЕЛИ	A	B	C	D	D1	E	F	G	G1	H	I	L	M	N	O
Multiflam 170.1	848	530	318	295	455	1150	250	398	600	283*	315	315	M16	125	250
Multiflam 200.1	848	530	318	295	455	1150	270	398	600	283*	315	315	M16	125	250

* по заявке

D = короткая огневая головка D1 = длинная огневая головка

ЭЛЕКТРИЧЕСКИЕ СОЕДИНЕНИЯ

Все двигатели горелок прошли заводские испытания при трехфазном напряжении 400 В 50 Гц, а цепи управления - при однофазном напряжении 230 В, 50 Гц + ноль. В случае необходимости организовать электропитание горелки от сети с трехфазным напряжением 230 В 50 Гц без нуля подключение выполнить согласно соответствующей электрической схеме горелки, при этом необходимо удостовериться, что рабочий диапазон теплового реле находится в пределах потребляемой мощности двигателя. Удостоверьтесь в том, что двигатель вентилятора вращается в правильном направлении.

ПОДКЛЮЧЕНИЕ К ГАЗОПРОВОДУ

После подключения горелки к газопроводу необходимо убедиться в полной герметичности системы, а также в том, что дымоход свободен от каких-либо препятствий. После открытия газового запорного крана осторожно стравите газ по направлению к специальному гнезду отбора давления и после этого проконтролируйте давление с помощью манометра. Подайте напряжение на установку и отрегулируйте термостаты на требуемую температуру. После того, как термостаты замыкают цепь, устройство контроля герметичности проверяет герметичность газовых клапанов. По завершении теста горелка получает разрешение на запуск.

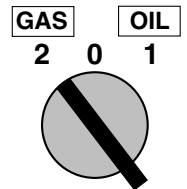
ЗАПУСК ГОРЕЛКИ

ПОДГОТОВКА К ПУСКУ

Перед пуском горелки необходимо проверить следующее:

- Тип используемого газа и давление в подающем газопроводе. Состояние газовых клапанов – они должны быть закрыты. Герметичность газовых соединений. Исправность предохранительного сбросного клапана (при наличии) и входное давление газа.

- Что электрические соединения выполнены согласно соответствующей схеме, обратив особое внимание на правильность подключения нуля и фазы. Что при размыкании контактов термостата котла горелка выключается. Герметичность камеры сгорания котла. Герметичность соединения котла и дымохода. Состояние дымохода - он должен быть надежно изолирован и не засорен посторонними предметами и веществами. Если все эти условия соблюдены, можно приступать к пуску горелки. Блок управления горелки дает команду на включение двигателя вентилятора для предварительной продувки камеры сгорания: В течение времени предварительной продувки (около 30 секунд), по сигналу реле давления воздуха блок управления проверяет достаточность давления газа. Затем блок управления подает напряжение на трансформатор и открывает газовые клапаны. Факел должен стабилизироваться в течение не более 3 секунд (контрольное время). Прежде чем вводить газоанализатор или тому подобные инструменты в дымоход, визуально проверьте наличие факела. По газовому счетчику проверить расход газа и отрегулировать его в соответствии с потребностью котла. С учетом расхода газа отрегулировать расход воздуха таким образом, чтобы обеспечить качественное сгорание.

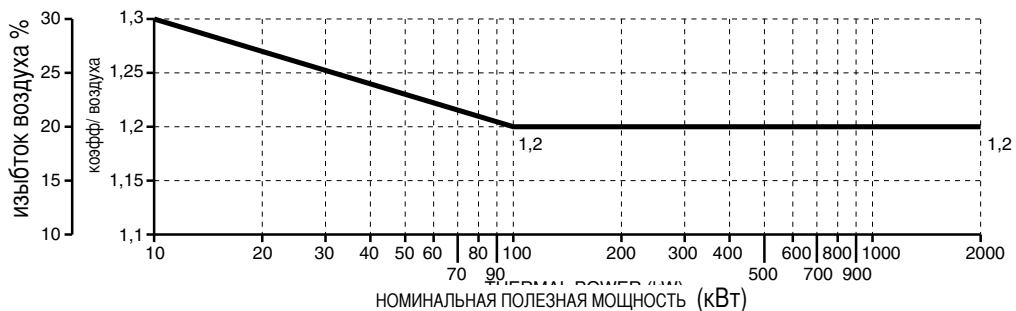


ВНИМАНИЕ: Все устройства, которые тарируются квалифицированными специалистами, после запуска горелки должны быть опломбированы. Анализ дымовых газов следует выполнять после каждой регулировки. Содержание CO₂ должно приблизительно составлять 9.7 (G20) 9.6 (G25 11.7 (13B) 11.7 (13P), а CO – не превышать 75 ppm.

РЕГУЛИРОВАНИЕ ПРОЦЕССА СГОРАНИЯ

ВНИМАНИЕ: для правильного регулирования процесса сгорания и теплопроизводительности необходимо с помощью соответствующих приборов произвести анализ дымовых газов. Регулирование сгорания и теплопроизводительности выполняется одновременно с анализом продуктов сгорания, при этом необходимо убедиться в правильности выполненных замеров. В любом случае показатели должны соответствовать действующим нормам безопасности. См. приведенные

	Метан
CO ₂	9,6%
CO	<100 ppm
	сжиж. газ
CO ₂	11,7%
CO	<50 ppm



РАСЧЕТ МОЩНОСТИ ГОРЕЛКИ

Замерить по счетчику расход газа в литрах и время замера в секундах. Мощность в кВт рассчитывается по следующей формуле:
$$\frac{e}{sec} \times f = kW$$

e = кол-во газа в литрах
 sec = время в секундах
 f $\left\{ \begin{array}{l} \text{метан} = 34,02 \\ \text{бутан} = 116 \\ \text{пропан} = 88 \end{array} \right.$

РАБОЧИЙ ЦИКЛ ЭЛЕКТРОННОГО ОБОРУДОВАНИЯ LANDIS LGB 21 - LGB 22

RU

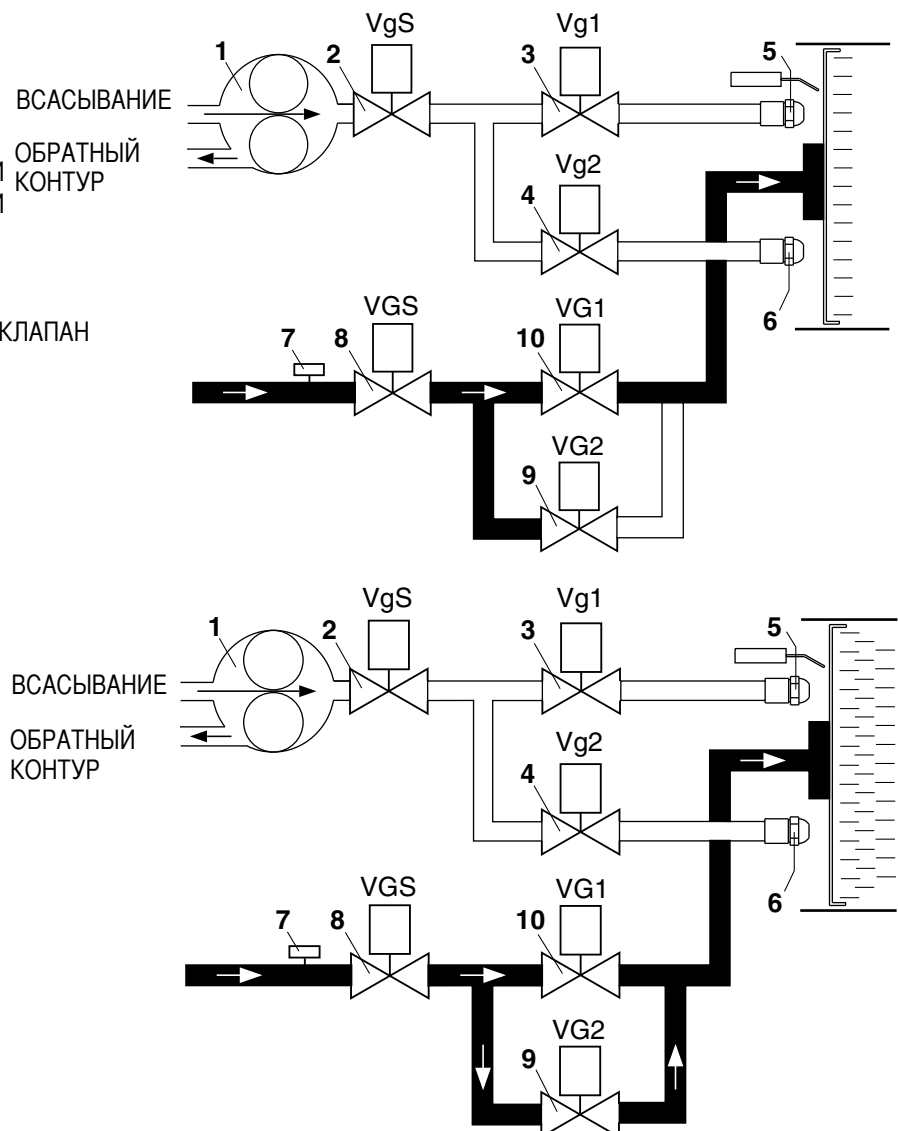


Электронное оборудование контроля пламени запускает вентилятор горелки для предварительной продувки топки, при этом воздушное реле контролирует создаваемое вентилятором давление. После предварительной продувки вступает в работу трансформатор розжига, и одновременно открываются газовые клапаны (предохранительный клапан VS и рабочий клапан VL). В случае неудачного розжига или случайного затухания безопасность обеспечивается датчиком обнаружения пламени, который блокирует оборудование в течение времени аварийной остановки. В случае отсутствия газа или значительного падения давления реле минимального давления газа прерывает работу горелки.

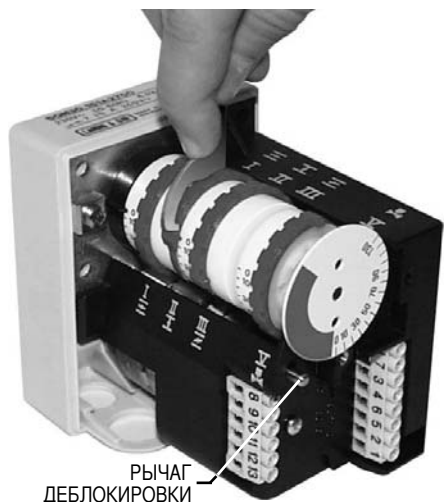
наименование	⌚
t1 контрольное время реле давл. воздуха	9"
t2 время ожидания подтверждения давл. воздуха	3"
t3 время продувки	30"
t4 время аварийной остановки	3"
t5 время розжига	3"
t6 время перехода на 2-ую ступень мощности	8"

СИСТЕМА ПОДАЧИ ГАЗА

- 1 - НАСОС
- 2 - ПРЕДОХРАНИТЕЛЬНЫЙ ТОПЛИВНЫЙ КЛАПАН
- 3 - ТОПЛИВНЫЙ КЛАПАН 1-й СТУПЕНИ
- 4 - ТОПЛИВНЫЙ КЛАПАН 2-й СТУПЕНИ
- 5 - ФОРСУНКА 1-й СТУПЕНИ
- 6 - ФОРСУНКА 2-й СТУПЕНИ
- 7 - РЕЛЕ ДАВЛЕНИЯ ГАЗА
- 8 - ПРЕДОХРАНИТЕЛЬНЫЙ ГАЗОВЫЙ КЛАПАН
- 9 - ГАЗОВЫЙ КЛАПАН 1-й СТУПЕНИ
- 10 - ГАЗОВЫЙ КЛАПАН 2-й СТУПЕНИ



LANDIS & STAЕFA SQN 30 151A2700 AIR DAMPER MOTOR



Для доступа к регулировочным кулачкам снять крышку. Регулирование кулачков производится входящим в комплект ключом. Описание:

- I - Кулачок регулирования расхода воздуха на 2-й ступени(макс. мощность)
- II - Кулачок регулирования расхода воздуха при гашении горелки
- III - Кулачок регулирования расхода воздуха на 1-й ступени (минималн. мощность)
- V- Концевой выключатель открывания электромагнитного клапана 2-й ступени

ПРИМЕЧАНИЕ:

Кулачок V (дает разрешение на открывание электромагнитного клапана 2-й ступени) должен быть установлен в среднее

Регулирование газовой рампы

Закрепите газовую рампу болтами в месте фланцевого соединения, обращая внимание на правильное положение прокладки. Подсоедините электропитание к рампе через 6-штырьковый разъем.

Произведите розжиг горелки (заводом-изготовителем уже произведена предварительная настройка) и проверьте герметичность соединений. Для приведения мощности горелки к требуемой мощности котла произведите следующие действия:

Большое горение

1.Переведите горелку в режим большого горения (положение воздушной заслонки должно быть 75° (максимальное открытие)), для регулирования расхода воздуха воздействуйте на положение огневой головки. Только в некоторых случаях необходимо уменьшать расход воздуха на большом горении, прикрывая всасывающий патрубок.

2.Положение газовой заслонки должно быть меньше 90° (например 85° ; важно не превышать 90° для достижения наилучших параметров горения во время перехода с большого горения на малое). При необходимости отрегулировать это положение с помощью винта 1, предварительно ослабив гайку 2.

3.Отрегулировать расход газа на большом горении с помощью стабилизатора на газовом клапане или с помощью самого газового клапана.

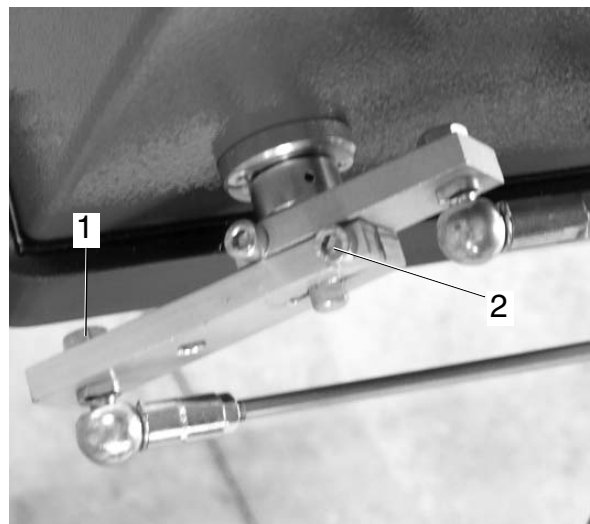
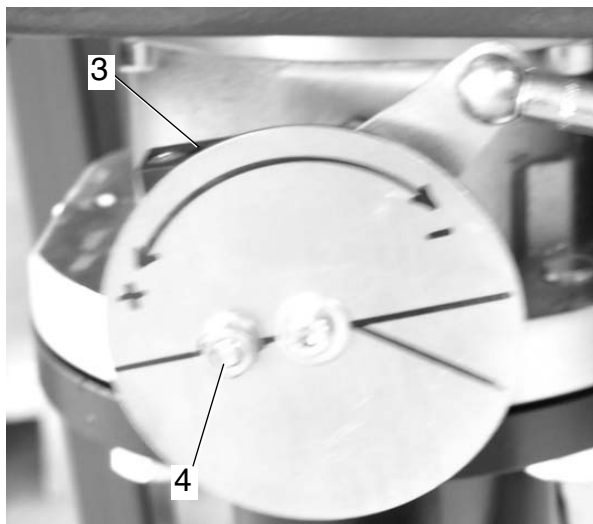
Малое горение

4.Выбрать положение первой ступени мощности на сервоприводе (обычно между 10° и 30°) в зависимости от желаемой мощности на первой ступени и переключите горелку на малое горение.

5. Отрегулировать расход газа для получения желаемых параметров горения, меняя положение газовой заслонки с помощью винта 3, предварительно ослабив гайку 4.

6.Переключите горелку на большое горение и при необходимости отрегулируйте положение газовой заслонки, как описано в пункте 2.7.При необходимости повторите несколько раз операции, описанные в пунктах 5 и 6, чтобы добиться точного положения газовой заслонки как на малом, так и на большом горении.

8.Затяните гайки.

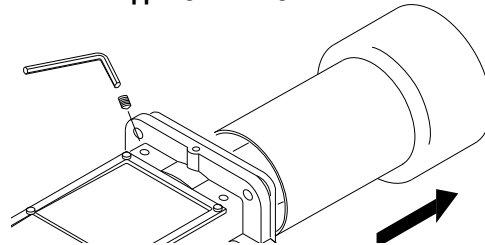


РЕГУЛИРОВАНИЕ ПРОЦЕССА СГОРАНИЯ

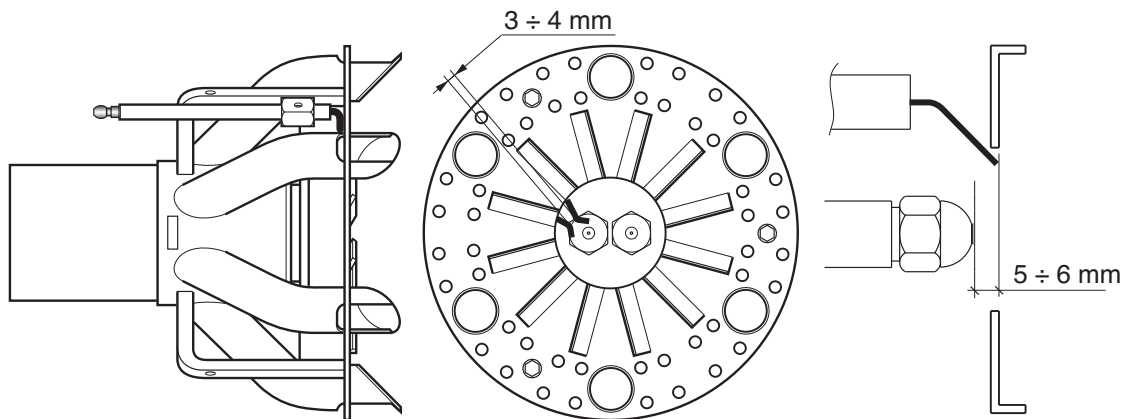
ВНИМАНИЕ: Регулирование сгорания и теплопроизводительности должно выполняться одновременно с анализом продуктов сгорания, при этом необходимо использовать соответствующие приборы. Убедитесь в правильности выполненных замеров, а также в том, что полученные результаты соответствуют действующим нормам безопасности. Регулирование должно выполняться квалифицированным персоналом, имеющим соответствующее разрешение компании "ЭКОФЛАМ С.п.А."

RU

ДЕМОНТАЖ СТАКАНА

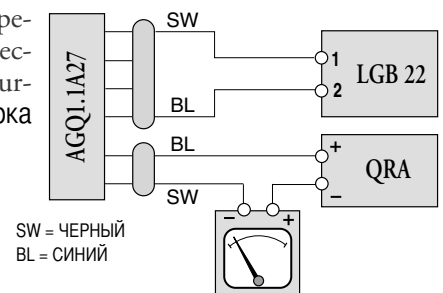


ПОЛОЖЕНИЕ ЭЛЕКТРОДОВ

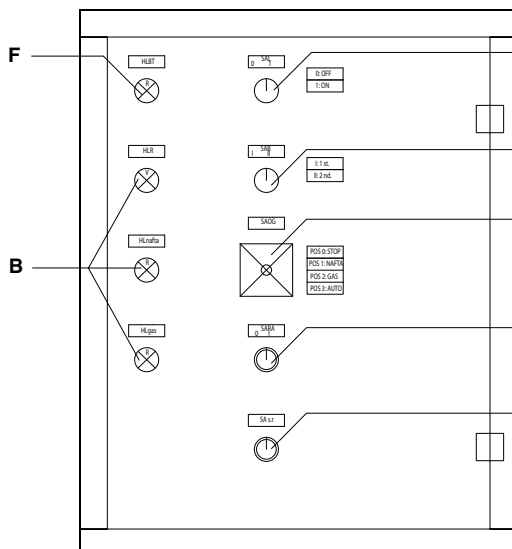


СИСТЕМА ОБНАРУЖЕНИЯ ПЛАМЕНИ

The control of the detector current shall be carried out by plugging a microampere-meter with full scale at 1000 μ A (D.C.) in series with the UV-cell. If the detector current is too low verify the connection between phase and neutral of the burner and the grounding of the burner itself. Минимальная требуемая сила тока ионизации равняется 200 μ A.

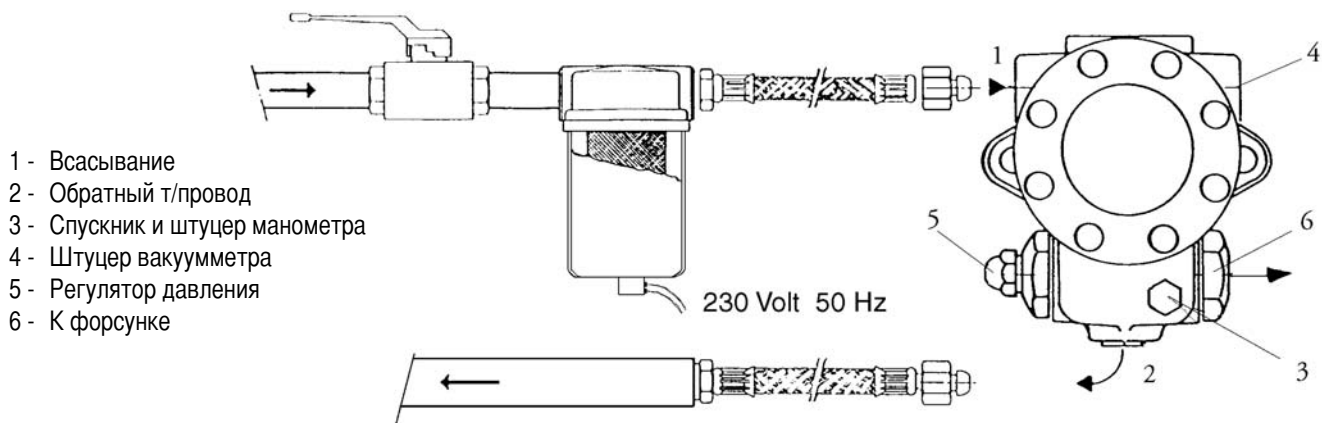


ПУЛЬТ УПРАВЛЕНИЯ ГОРЕЛКИ



- A - Кнопка возврата
- B - Лампа
- C - Переключатель (0-стоп, 1-2-я ступень, 2-1-я ступень, 3-АВТО)
- D - Главный выключатель 1/0
- E - Переключатель ГАЗ/0/МАЗУТ
- F - Лампа блокировки
- G - Переключатель сопротивлений Auxiliaries

СИСТЕМА ПОДАЧИ МАЗУТА

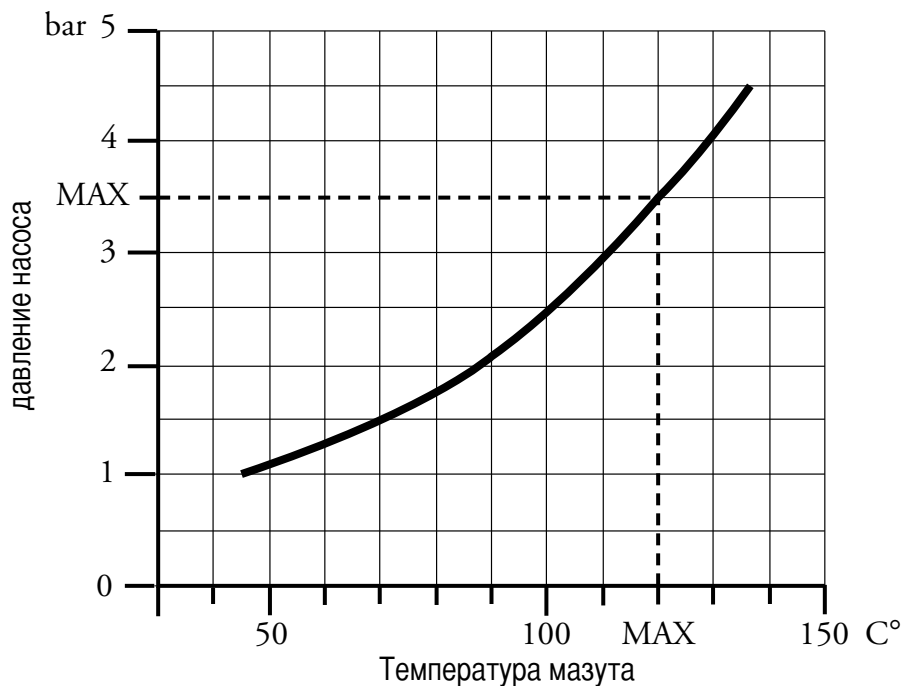


- 1 - Всасывание
- 2 - Обратный т/провод
- 3 - Спускник и штуцер манометра
- 4 - Штуцер вакуумметра
- 5 - Регулятор давления
- 6 - К форсунке

Температура мазута:	Не более 120°C в насосе
Давление в подающем и обратном топливопроводах:	Не более 3,5 бар
Высота всасывания:	не более 0,5 бар в разряжении
	Во избежание отделения воздуха от мазута рекомендуется 0,4 бар

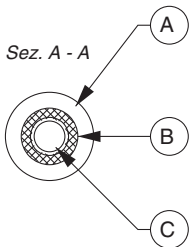
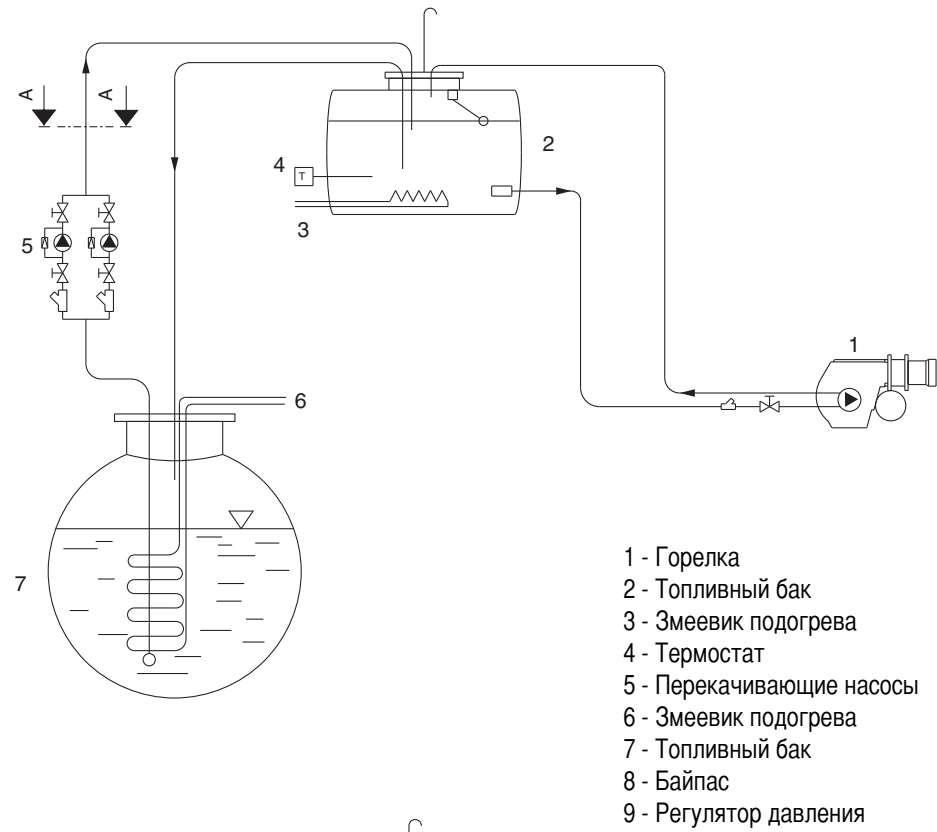
ГРАФИК ЗАВИСИМОСТИ ДАВЛЕНИЯ НАСОСА И ТЕМПЕРАТУРЫ ТОПЛИВА

Переход в газообразную форму летучих фракций, содержащихся в подогретом мазуте, считается основной причиной преждевременного износа топливного насоса. Для предупреждения подобного явления, давление насоса должно быть отрегулировано, как показано на приведенном ниже графике.

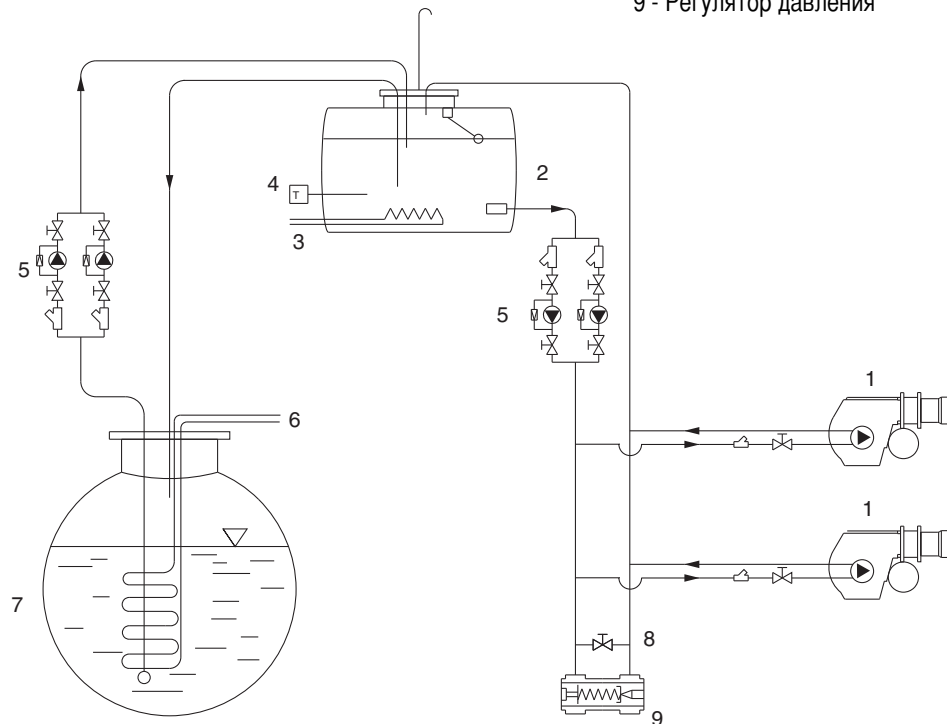


RU

СХЕМА ПОДАЧИ ТОПЛИВА



A - Изоляция
B - Греющий кабель
C - Топливопровод



ВНИМАНИЕ: Все трубы топливопровода снабжены греющим кабелем (см. сечение A-A).

РАЗМЕРЫ ФОРСУНОК ДЛЯ МАЗУТА

Давление топливного насоса (бар)

галлон/час	10	11	12	13	14	15	16	17	18	19	20	21	22	23	24	25	26	27	28	29	30
0,60	2,5	2,6	2,7	2,9	3,0	3,1	3,2	3,3	3,4	3,4	3,5	3,6	3,7	3,8	3,9	4,0	4,0	4,1	4,2	4,3	4,3
0,65	2,7	2,8	3,0	3,1	3,2	3,3	3,4	3,5	3,6	3,7	3,8	3,9	4,0	4,1	4,2	4,3	4,4	4,4	4,5	4,6	4,7
0,75	3,1	3,3	3,4	3,5	3,7	3,8	3,9	4,0	4,2	4,3	4,4	4,5	4,6	4,7	4,8	4,9	5,0	5,1	5,2	5,3	5,4
0,85	3,5	3,7	3,8	4,0	4,1	4,3	4,4	4,6	4,7	4,8	4,9	5,1	5,2	5,3	5,4	5,5	5,6	5,8	5,9	6,0	6,1
1,00	4,2	4,4	4,6	4,8	5,0	5,1	5,3	5,5	5,6	5,8	5,9	6,1	6,2	6,4	6,5	6,6	6,8	6,9	7,0	7,2	7,3
1,10	4,6	4,8	5,0	5,2	5,4	5,6	5,8	6,0	6,2	6,3	6,5	6,7	6,8	7,0	7,1	7,3	7,4	7,6	7,7	7,8	8,0
1,20	5,0	5,2	5,5	5,7	5,9	6,1	6,3	6,5	6,7	6,9	7,1	7,2	7,4	7,6	7,7	7,9	8,1	8,2	8,4	8,5	8,7
1,25	5,2	5,5	5,7	5,9	6,2	6,4	6,6	6,8	7,0	7,2	7,4	7,5	7,7	7,9	8,1	8,2	8,4	8,5	8,7	8,9	9,0
1,35	5,6	5,9	6,1	6,4	6,6	6,9	7,1	7,3	7,5	7,7	7,9	8,1	8,3	8,5	8,7	8,9	9,0	9,2	9,4	9,5	9,7
1,50	6,2	6,5	6,8	7,1	7,3	7,6	7,8	8,1	8,3	8,5	8,8	9,0	9,2	9,4	9,6	9,8	10,0	10,2	10,4	10,6	10,7
1,65	6,9	7,2	7,6	7,9	8,2	8,5	8,7	9,0	9,3	9,5	9,8	10,0	10,2	10,5	10,7	10,9	11,1	11,3	11,5	11,8	12,0
1,75	7,3	7,7	8,0	8,3	8,6	8,9	9,2	9,5	9,8	10,1	10,3	10,6	10,8	11,1	11,3	11,5	11,8	12,0	12,2	12,4	12,6
2,00	8,3	8,7	9,1	9,5	9,8	10,2	10,5	10,8	11,1	11,4	11,7	12,0	12,3	12,6	12,9	13,1	13,4	13,6	13,9	14,1	14,4
2,25	9,4	9,9	10,3	10,7	11,1	11,5	11,9	12,3	12,6	13,0	13,3	13,6	13,9	14,3	14,6	14,9	15,2	15,4	15,7	16,0	16,3
2,50	10,4	10,9	11,4	11,9	12,3	12,7	13,2	13,6	14,0	14,3	14,7	15,1	15,4	15,8	16,1	16,4	16,8	17,1	17,4	17,7	18,0
3,00	12,5	13,1	13,7	14,3	14,8	15,3	15,8	16,3	16,8	17,2	17,7	18,1	18,5	19,0	19,4	19,8	20,2	20,5	20,9	21,3	21,7
3,50	14,6	15,3	16,0	16,6	17,3	17,9	18,5	19,0	19,6	20,1	20,6	21,2	21,7	22,1	22,6	23,1	23,5	24,0	24,4	24,9	25,3
4,00	16,6	17,4	18,2	18,9	19,6	20,3	21,0	21,6	22,3	22,9	23,5	24,1	24,6	25,2	25,7	26,2	26,8	27,3	27,8	28,3	28,8
4,50	18,7	19,6	20,5	21,3	22,1	22,9	23,7	24,4	25,1	25,8	26,4	27,1	27,7	28,4	29,0	29,6	30,2	30,7	31,3	31,8	32,4
5,00	20,8	21,8	22,8	23,7	24,6	25,5	26,3	27,1	27,9	28,7	29,4	30,1	30,9	31,5	32,2	32,9	33,5	34,2	34,8	35,4	36,0
5,50	22,9	24,0	25,1	26,1	27,1	28,0	29,0	29,9	30,7	31,6	32,4	33,2	34,0	34,7	35,5	36,2	36,9	37,6	38,3	39,0	39,7
6,00	25,0	26,2	27,4	28,5	29,6	30,6	31,6	32,6	33,5	34,5	35,4	36,2	37,1	37,9	38,7	39,5	40,3	41,1	41,8	42,6	43,3
6,50	27,1	28,4	29,7	30,9	32,1	33,2	34,3	35,3	36,4	37,4	38,3	39,3	40,2	41,1	42,0	42,8	43,7	44,5	45,3	46,1	46,9
7,00	29,1	30,5	31,9	33,2	34,4	35,6	36,8	37,9	39,0	40,1	41,2	42,2	43,2	44,1	45,1	46,0	46,9	47,8	48,7	49,6	50,4
7,50	31,2	32,7	34,2	35,6	36,9	38,2	39,5	40,7	41,9	43,0	44,1	45,2	46,3	47,3	48,3	49,3	50,3	51,3	52,2	53,1	54,0
8,30	34,5	36,2	37,8	39,3	40,8	42,3	43,6	45,0	46,3	47,6	48,8	50,0	51,2	52,3	53,4	54,5	55,6	56,7	57,7	58,8	59,8
9,50	39,5	41,4	43,3	45,0	46,7	48,4	50,0	51,5	53,0	54,4	55,9	57,2	58,6	59,9	61,2	62,5	63,7	64,9	66,1	67,3	68,4
10,50	43,7	45,8	47,9	49,8	51,7	53,5	55,3	57,0	58,6	60,2	61,8	63,3	64,8	66,3	67,7	69,1	70,5	71,8	73,1	74,4	75,7
12,00	49,9	52,3	54,7	56,9	59,0	61,1	63,1	65,1	66,9	68,8	70,6	72,3	74,0	75,7	77,3	78,9	80,5	82,0	83,5	85,0	86,4
13,80	57,4	60,2	62,9	65,4	67,9	70,3	72,6	74,8	77,0	79,1	81,2	83,2	85,1	87,1	88,9	90,8	92,6	94,3	96,0	97,7	99,4
15,30	63,7	66,8	69,8	72,6	75,4	78,0	80,6	83,1	85,5	87,8	90,1	92,3	94,5	96,6	98,7	100,7	102,7	104,7	106,6	108,5	110,3
17,50	72,8	76,4	79,7	83,0	86,1	89,2	92,1	94,9	97,7	100,3	103,0	105,5	108,0	110,4	112,8	115,1	117,4	119,6	121,8	124,0	126,1
19,50	81,2	85,2	89,0	92,6	96,1	99,4	102,7	105,9	108,9	111,9	114,8	117,7	120,4	123,1	125,8	128,4	130,9	133,4	135,9	138,3	140,6
21,50	89,5	93,9	98,0	102,0	105,9	109,6	113,2	116,7	120,1	123,4	126,6	129,7	132,7	135,7	138,7	141,5	144,3	147,1	149,8	152,4	155,0
24,00	99,9	104,8	109,4	113,9	118,2	122,4	126,4	130,3	134,0	137,7	141,3	144,8	148,2	151,5	154,8	158,0	161,1	164,2	167,2	170,1	173,0
28,00	116,5	122,2	127,6	132,8	137,8	142,7	147,4	151,9	156,3	160,6	164,8	168,8	172,8	176,7	180,5	184,2	187,9	191,4	194,9	198,4	201,8
30,00	124,9	131,0	136,8	142,4	147,8	153,0	158,0	162,8	167,6	172,2	176,6	181,0	185,3	189,4	193,5	197,5	201,4	205,2	209,0	212,7	216,3

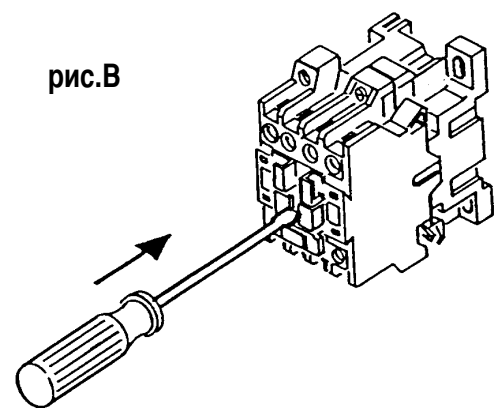
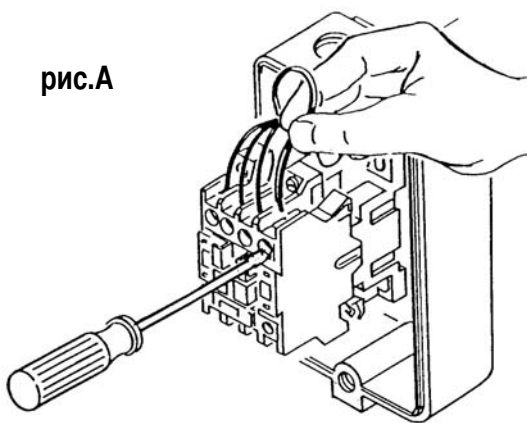
Расход топлива (кг/ч)

ПРОВЕРКА ПРАВИЛЬНОСТИ МОНТАЖА:

Прежде чем, приступить к заполнению топливопровода и к последующему пуску оборудования рекомендуется убедиться в том, что:

RU

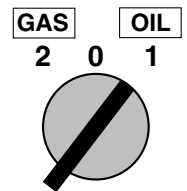
- Система электроснабжения соответствует потребляемой мощности оборудования
- Предохранители соответствуют нагрузке оборудования
- Термостаты котла подключены правильно
- Напряжение и частота тока не превышают указанных для данной горелки значений
- Тип топлива соответствует указанному производителем горелки
- Сечение топливопровода обеспечивает требуемый расход топлива
- Фильтры, вентили и фитинги смонтированы правильно
- Длина стакана горелки соответствует характеристикам котла, указанным его производителем.
- Производительность форсунок соответствует мощности котла

**РАБОТА ГОРЕЛКИ НА МАЗУТЕ**

К запуску горелки можно приступать только после завершения проверок, перечисленных в предыдущих параграфах.

- Подайте напряжение горелку. По достижении температуры, заданной рабочим термостатом, и при наличии разрешения от котла, блок управления запускает двигатель вентилятора, топливный насос и подает напряжение на трансформатор розжига. Одновременно с этим включаются выравнивающие нагревательные элементы, которые обеспечивают постоянную температуру топлива.

- Таким образом начинается продувка топki и циркуляция топлива. В результате во всем контуре устанавливается одинаковая температура, а за счет этого в контуре обеспечивается равномерный проток. Давление топлива на этапе предварительной продувки должно быть равно примерно 16 – 18 бар. В случае необходимости, отрегулируйте давление на требуемое значение при помощи специально установленного в нагревательном контуре регулятора (см. рис.).



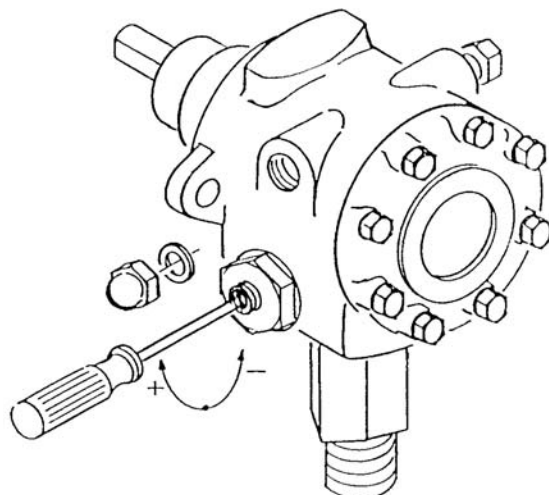
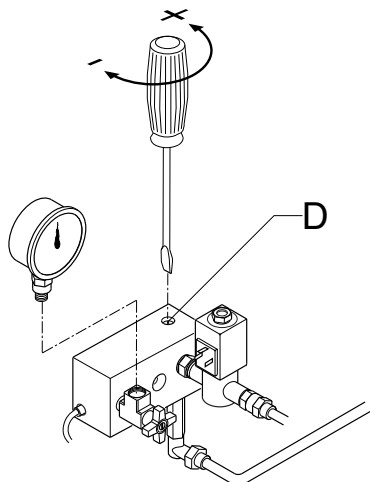
- По завершении предварительной продувки блок управления горелкой закрывает клапан "О", и одновременно с этим открывает топливный клапан 1-й ступени (например, клапан "А") – теперь возможен розжиг горелки на 1-й ступени мощности. Затем блок управления открывает клапан 2-й ступени "В", который подает топливо на обе форсунки и создает условия для розжига горелки на 2-й ступени, т.е. для работы горелки на полной мощности.

- Для получения хорошего качества сгорания отрегулировать расход воздуха на 1-й и 2-й ступенях мощности.

Во время регулировки расхода предусмотрена возможность переключения с 1-ой ступени на 2-ую и наоборот с помощью ручного переключателя ступеней мощности. По завершении регулировки переключатель устанавливается в положение II (2-ая ступень).

- Рабочее давление топливного насоса должно быть отрегулировано на 23 бар.

РЕГУЛИРОВКА ДАВЛЕНИЯ ТОПЛИВНОГО НАСОСА СХЕМА ЦИРКУЛЯЦИИ ТОПЛИВА НА ЭТАПЕ ПРОДУВКИ

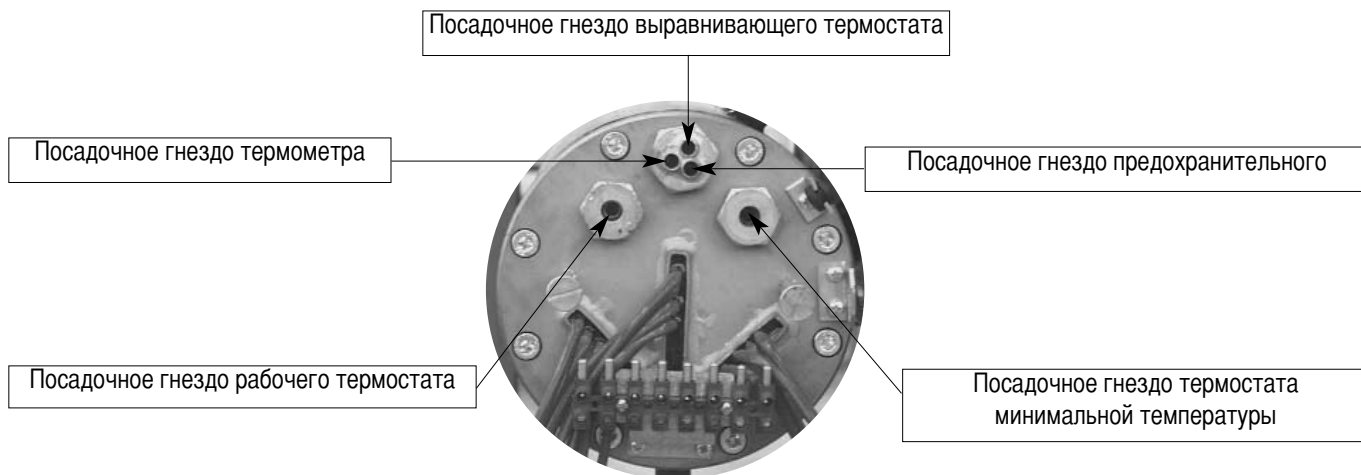
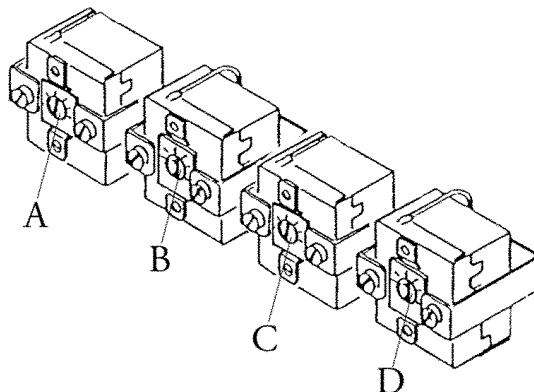


RU

РЕГУЛИРОВАНИЕ ТОПЛИВНЫХ ТЕРМОСТАТОВ

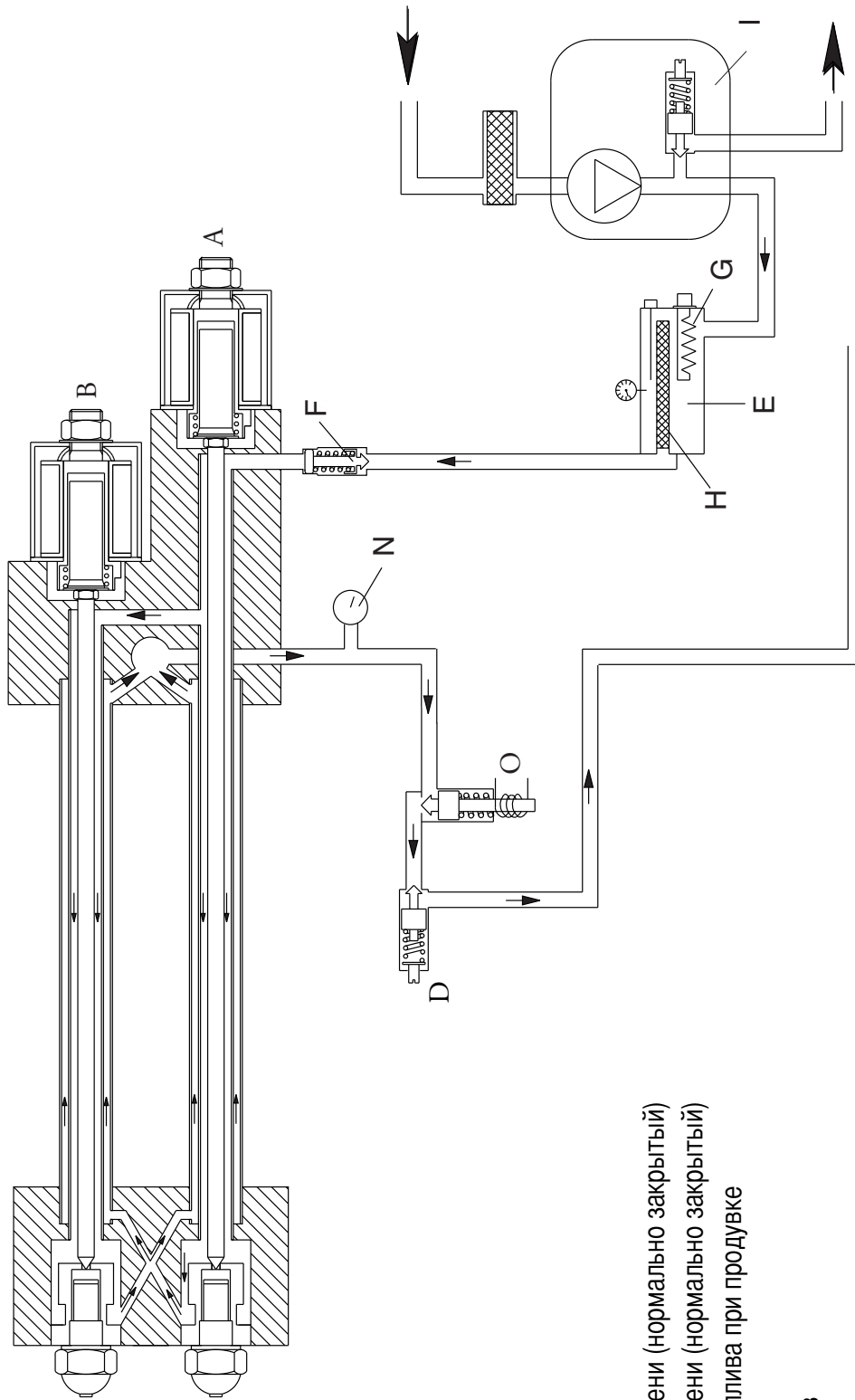
Рабочий термостат нагревательных элементов устанавливается на 120 °С, а предохранительный - на 160 °С. Эти значения могут незначительно изменяться в зависимости от типа топлива и иных условий эксплуатации.

- A - Предохранительный термостат (160° C).
- B - Рабочий термостат (120° C).
- C* - Выравнивающий термостат (130°С).
- D - Термостат минимальной температуры мазута.



RU

СХЕМА ЦИРКУЛЯЦИИ ТОПЛИВА НА ЭТАПЕ ПРОДУВКИ



Экспликация:

A - Электроклапан 1-й ступени (нормально закрытый)

B - Электроклапан 2-й ступени (нормально закрытый)

D - Регулятор давления топлива при продувке

E - Змеевик

F - Клапан-сепаратор газов

G - ТЭНы

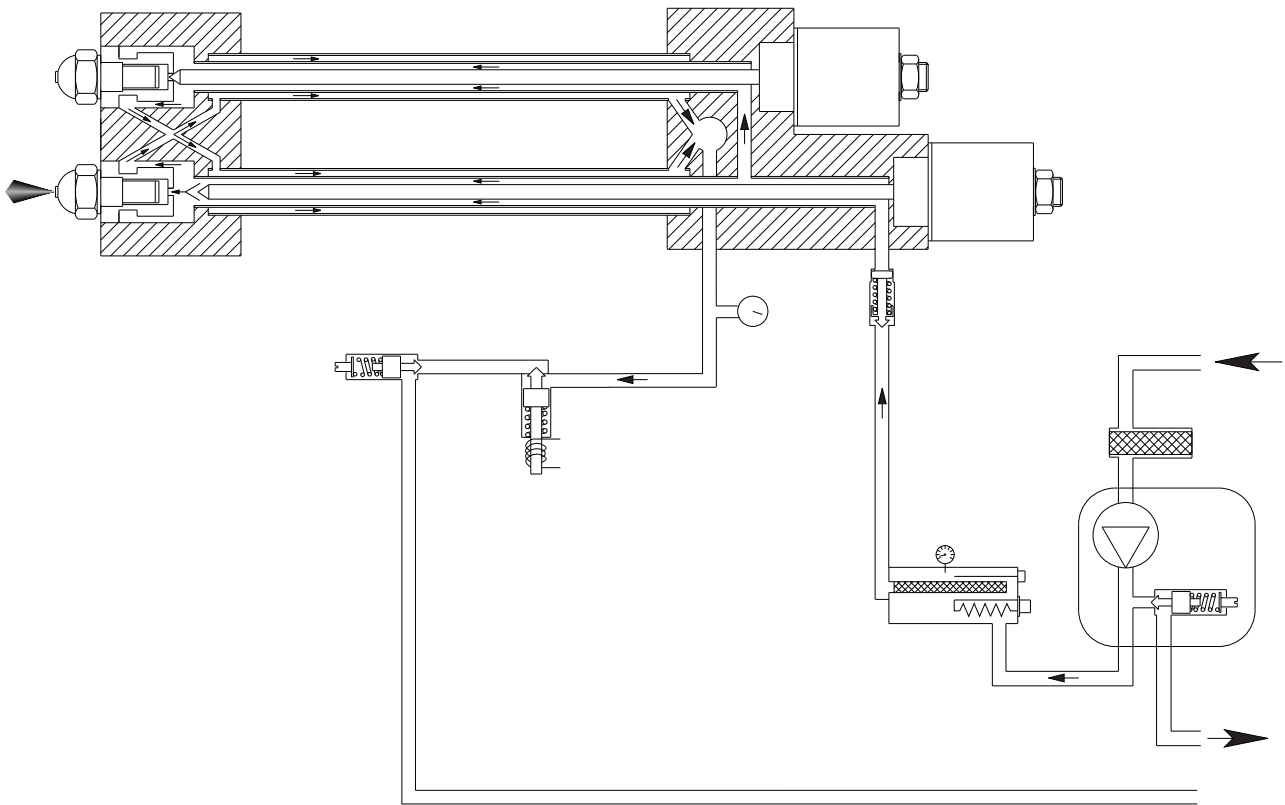
H - Фильтр

I - Топливный насос

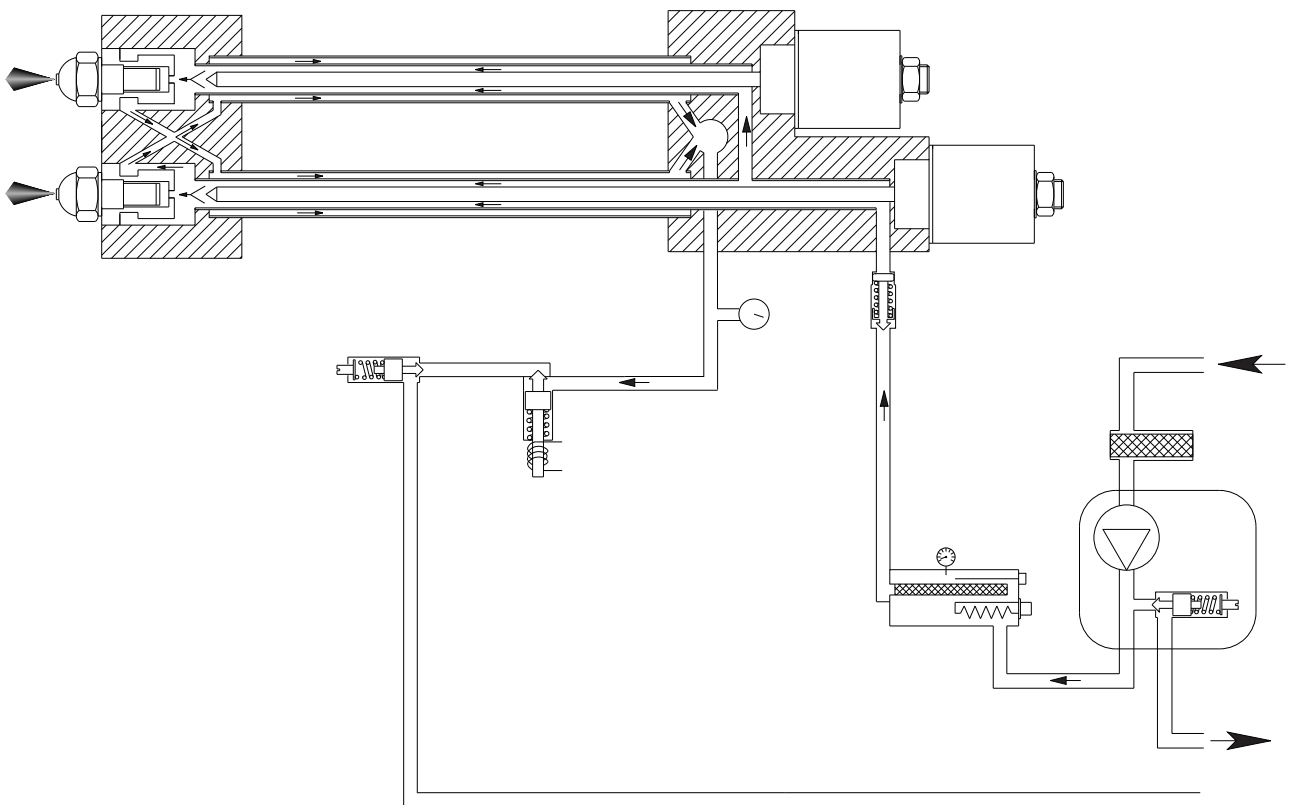
N - Манометр

O - Электроклапан (нормально открытый)

1-ая ступень

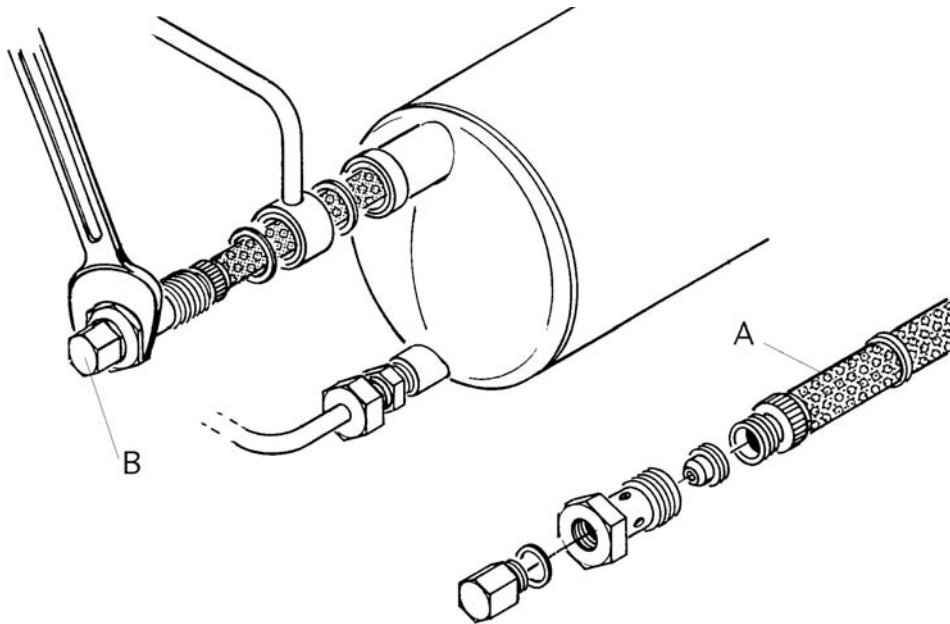


2-ая ступень



ОБСЛУЖИВАНИЕ ФИЛЬТРОВ БАЧКА-ПОДОГРЕВАТЕЛЯ

RU

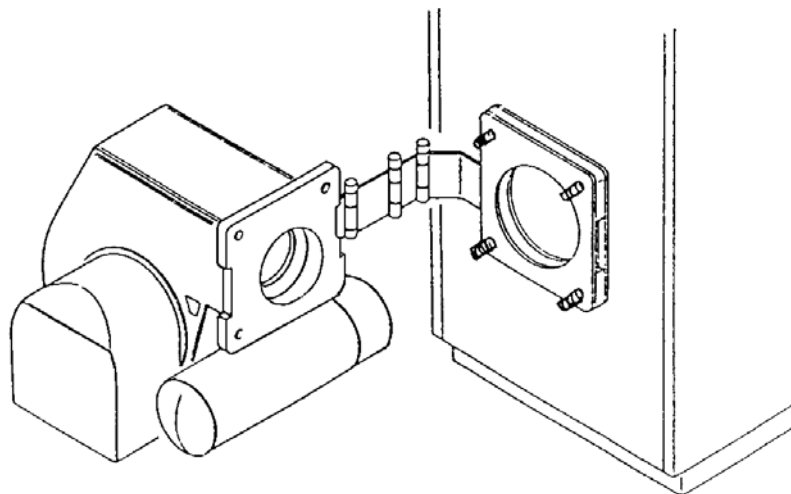


ДЕМОНТАЖ ФИЛЬТРА

- 1) Выключить горелку.
 - 2) Ослабить винт В и слить из бабка мазут, так чтобы его уровень опустился ниже фильтра.
 - 3) Отвинтить и извлечь из посадочного гнезда шток А.
 - 4) После чистки фильтра собрать его как показано на рисунке и вставить в посадочное гнездо.
- Всякий раз, когда демонтируются фильтр и клапан рекомендуется заменить весь комплект соответствующих прокладок.

Напоминаем, что во время работы горелки бак-подогреватель находится под давлением приблизительно 23 бар, поэтому проводить вышеописанные работы при работающей горелке очень опасно.

МОНТАЖ ГОРЕЛКИ



ТЕХНИЧЕСКОЕ ОБСЛУЖИВАНИЕ

ПЛАНОВОЕ ОБСЛУЖИВАНИЕ

Периодическое обслуживание горелки (огневой головки, электродов и т.д.) должно выполняться квалифицированным персоналом. В зависимости от условий эксплуатации это делается 1 или 2 раза в год. Прежде чем приступить к проверке и последующему обслуживанию горелки рекомендуется произвести её общий осмотр. Для этого: Отключите энергоснабжение горелки (отсоединить штекер).

- Закройте запорный газовый кран.
- Снимите крышку горелки, прочистите вентилятор и всасывающий воздуховод.
- Прочистите огневую головку и проверьте положение электродов.
- Установите обратно все детали.
- Проверьте герметичность газовых соединений.
- Проверьте дымоход.
- Запустите горелку.
- Выполните анализ продуктов сгорания.

ПЕРЕД ВЫПОЛНЕНИЕМ ЛЮБОЙ ИЗ ОПИСАННЫХ ДАЛЕЕ ОПЕРАЦИЙ НЕОБХОДИМО УДОСТОВЕРИТЬСЯ В ТОМ, ЧТО:

- в сети имеется напряжение, а горелка подключена;
- В сети имеется требуемое давления газа, и запорный газовый кран находится в открытом положении;
- Предохранительные устройства и приборы управления подключены правильно. Если все вышеупомянутые условия соблюдены, нажатием кнопки перезапуска запустите горелку. Проверьте, как горелка обрабатывает свой рабочий цикл.

ЕСЛИ ГОРЕЛКА НЕ ЗАПУСКАЕТСЯ:

Проверьте выключатель, термостаты, двигатель и давление газа, не сгорели ли плавкие предохранители, исправны ли ТЭНы, не разомкнуты ли контакты термостатов в разогревательном бачке.

ЕСЛИ ПОСЛЕ ПРЕДВАРИТЕЛЬНОЙ ПРОДУВКИ ПРОИСХОДИТ БЛОКИРОВКА ГОРЕЛКИ:

Проверьте давление воздуха и вентилятор. Проверьте исправность реле давления воздуха, ультрафиолетового фотозлемента, не происходит ли преждевременный розжиг по причине утечки мазута из электромагнитного клапана.

ЕСЛИ ПОСЛЕ ПРЕДВАРИТЕЛЬНОЙ ПРОДУВКИ РОЗЖИГ ГОРЕЛКИ НЕ ПРОИСХОДИТ:

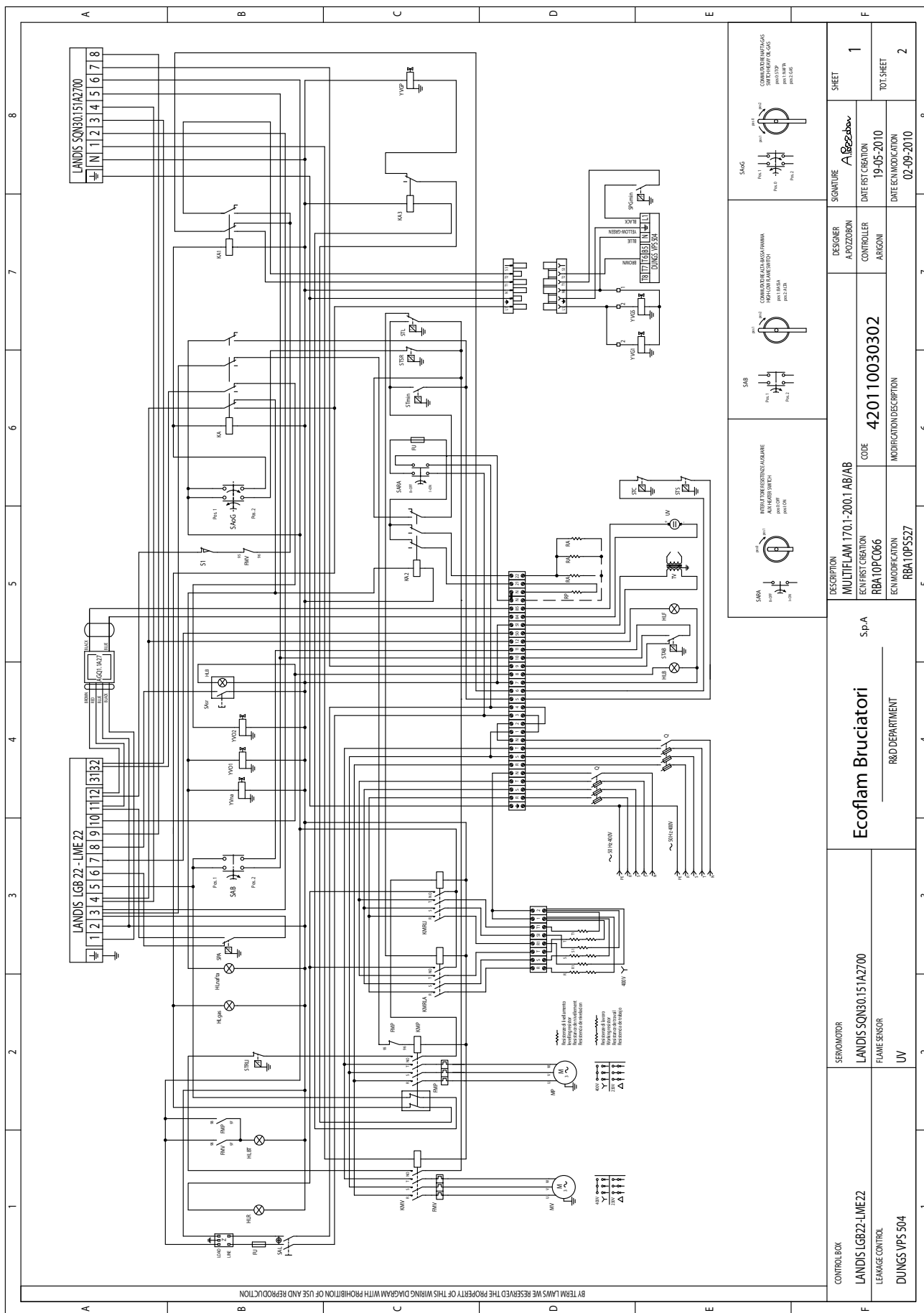
Проверьте правильность установки электродов и их положение. Загрязнились электроды. Засорились форсунки. Проверьте провод розжига. Проверьте трансформатор розжига. Проверьте предохранительное устройство. Слишком большой расход воздуха горения для форсунки данной производительности.

ЕСЛИ ПОСЛЕ РОЗЖИГА ПО ИСТЕЧЕНИИ ВРЕМЕНИ АВАРИЙНОГО ОСТАНОВА ПРОИСХОДИТ БЛОКИРОВКА ГОРЕЛКИ:

Проверьте правильность подключения фазы и нуля. Проверьте газовый электроклапан. Проверьте ультрафиолетовый фотозэлемент. Проверьте предохранительное устройство. Недостаточное давление мазута во время предварительной продувки. Засорились фильтры. форсунки изношены. Температура мазута ниже требуемой (прерывающийся факел). Слишком большой расход воздуха горения для форсунки данной производительности.

ЕСЛИ БЛОКИРОВКА ГОРЕЛКИ ПРОИСХОДИТ ПОСЛЕ ЕЁ НЕПРОДОЛЖИТЕЛЬНОЙ НОРМАЛЬНОЙ РАБОТЫ:

Проверьте регулятор давления и газовый фильтр. Проверьте давление газа манометром. Проверьте параметры обнаружения пламени (не менее 200 μ A).



SAB COMBIBRENTI PER IL GAS SWITCH HEAVY RELAYS 100V/250V 10A/16A	DESIGNER A. POZZOBON	SIGNATURE <i>A. Pozzobon</i>	SHEET 1
	CONTROLLER ARCONI	DATE EST. CREATION 19-05-2010	TOT. SHEET 2

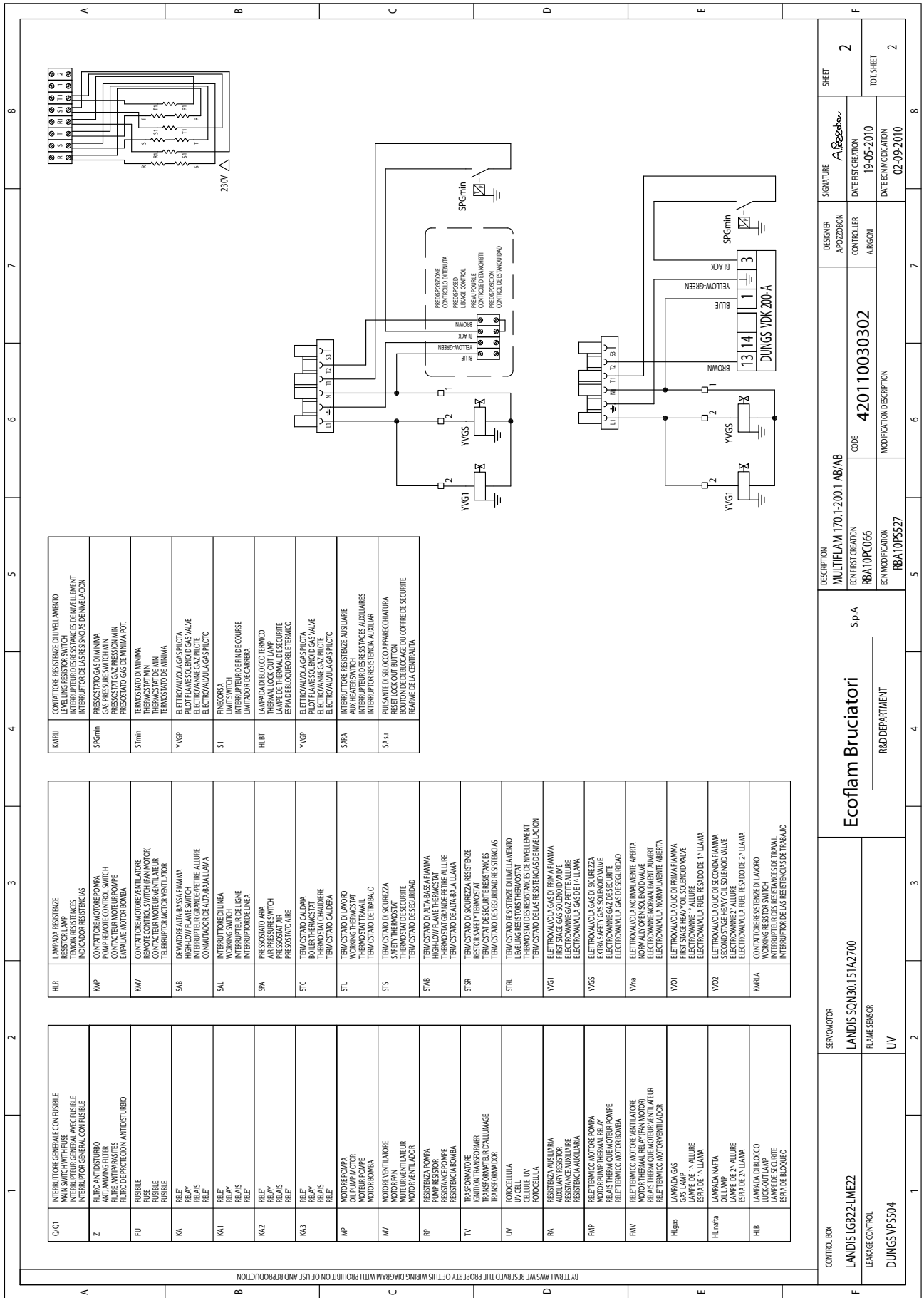
SAG COMBIBRENTI PER IL GAS SWITCH HEAVY RELAYS 100V/250V 10A/16A	DESCRIPTION MULTIFLAM 170.1-200.1 AB/AB	CODE 420110030302	5
	ECON FIRST CREATION RBA10PC066	ECN MODIFICATION RBA10PCS57	6

SAB COMBIBRENTI PER IL GAS SWITCH HEAVY RELAYS 100V/250V 10A/16A	DESCRIPTION MULTIFLAM 170.1-200.1 AB/AB	CODE 420110030302	7
	ECON FIRST CREATION RBA10PC066	ECN MODIFICATION RBA10PCS57	8

CONTROL BOX LANDIS LGB22-LIME22	S.p.A	Ecoflam Bruciatori	R&D DEPARTMENT
LEAKAGE CONTROL DUNGS VPS 504			

SEW MOTOR LANDIS SQN30.151A2700	2
FLAME SENSOR UV	3

DESCRIPTION MULTIFLAM 170.1-200.1 AB/AB	4
ECON FIRST CREATION RBA10PC066	5
ECN MODIFICATION RBA10PCS57	6
MODIFICATION DESCRIPTION	7



KMRL	CONVATORE RESISTENZE DI INNELLAMENTO LEVELING RESISTOR SWITCH INTERRUPTEUR DES RESISTANCES DE INVEILLEMENT
SPGmin	PRESSOSTATO GAS DI MINIMA GAS PRESSURE SWITCH MIN PRESSOSTAT GAZ PRESSION MIN PRESOSTATO GAS DE MINIMA P01
Smin	TERMOSTATO DI MINIMA MINIMUM TEMPERATURE LIMIT SWITCH TERMOSTATO DE MINIMA
YGP	ELETTROVALVOLA GAS PILOTA PILOT GAS SOLENOID VALVE ELECTROVANNE GAZ PILOTE ELECTROVALVULA GAS PILOTO
S1	FINECORSA LIMIT SWITCH INTERRUPTEUR DE FIN DE COURSE LIMITADOR DE CORRIERA
HELT	LAMPADA DI BLOCCO TERMICO THERMAL BLOCK LAMP LAMPE DE BLOQUEO RE TERMICO
YGP	ELETTROVALVOLA GAS PILOTA PILOT GAS SOLENOID VALVE ELECTROVANNE GAZ PILOTE ELECTROVALVULA GAS PILOTO
SARA	INTERRUPTORE RESISTENZE AUSILIARIE AUXILIARY RESISTANCE SWITCHES INTERRUPTEUR RESISTENCIA AUXILIAR
SAR	PULVETTO DI SBLOCCO APPRECCHIATURA BUTTON OF DEBLOCKAGE DU COFFRE DE SECURITE REANIME DE LA CENTRALITA

HLB	LAMPADA RESISTENZE RESISTOR LAMP INTERRUPTEUR DES RESISTANCES DE INVEILLEMENT
KMP	CONV. MOTORE POMPA PUMP REMOTE CONTROL SWITCH CONTACTEUR MOTEUR POMPE EMPAQUE MOTOR BOMBA
KMV	CONV. MOTORE VENTILATORE FAN REMOTE CONTROL SWITCH CONTACTEUR MOTEUR VENTILATEUR TELEINTERRUPTOR MOTOR VENTILADOR
SAB	DEVIAZIONE ALTA BASSA FAMMA HIGH-LOW FLAME SWITCH INTERRUPTEUR GRANDE/PETITE ALLURE COMANDADOR DE ALTA/BAJA LLAMA
SAL	INTERRUTTORE DI LINEA WORKING SWITCH INTERRUPTEUR DE LIGNE INTERRUPTOR DE LINEA
SPA	PRESSOSTATO ARIA AIR PRESSURE SWITCH PRESOSTATO AIRE
STC	TERMOSTATO CALDAIA BOILER THERMOSTAT THERMOSTAT CHAUDIERE TERMOSTATO CALDERA
STL	TERMOSTATO LAVORO WORKING THERMOSTAT THERMOSTAT DE TRABAJO
SFS	TERMOSTATO SICUREZZA SAFETY THERMOSTAT THERMOSTATO DE SEGURIDAD
STAB	TERMOSTATO ALTA BASSA FAMMA HIGH-LOW FLAME THERMOSTAT THERMOSTAT GRANDE/PETITE ALLURE THERMOSTATO DE ALTA/BAJA LLAMA
STS	TERMOSTATO SICUREZZA RESISTENZE RESISTANCE SAFETY THERMOSTAT THERMOSTATO DE SEGURIDAD RESISTENCIAS
STRL	TERMOSTATO RESISTENZE DI INNELLAMENTO LEVELING RESISTANCE THERMOSTAT THERMOSTAT DES RESISTANCES DE INVEILLEMENT
YGI	ELETTROVALVOLA GAS DI PRIMA FAMMA FIRST STAGE GAS SOLENOID VALVE ELECTROVANNE GAZ PETITE ALLURE ELECTROVALVULA GAS DE 1ª LLAMA
YGS	ELETTROVALVOLA GAS DI SICUREZZA EXTRA SAFETY GAS SOLENOID VALVE ELECTROVANNE GAZ SECURITE ELECTROVALVULA GAS DE SEGURIDAD
Yha	ELETTROVALVOLA NORMALMENTE APERTA NORMALLY OPEN SOL ENOID VALVE ELECTROVANNE NORMALMENTE AVERT ELECTROVALVULA NORMALMENTE ABERTA
YWI	ELETTROVALVOLA OLOIO DI PRIMA FAMMA FIRST STAGE HEAVY OIL SOLENOID VALVE ELECTROVANNE Y ALLURE ELECTROVALVULA OIL DE 1ª LLAMA
YWO2	ELETTROVALVOLA OLOIO DI SECONDA FAMMA SECOND STAGE HEAVY OIL SOLENOID VALVE ELECTROVANNE Y2 ALLURE ELECTROVALVULA OIL DE 2ª LLAMA
KMRLA	CONV. RESISTENZE DI LAVORO WORKING RESISTOR SWITCH INTERRUPTEUR DES RESISTANCES DE TRAVAIL INTERRUPTOR DE LAS RESISTENCIAS DE TRABAJO

Q/O1	INTERRUTTORE GENERALE CON FUSIBILE MAIN SWITCH WITH FUSE INTERRUPTEUR GENERAL AVEC FUSIBLE INTERRUPTOR GENERAL CON FUSIBLE
Z	FILTRO ANTIDISTURBO ANTI-JAMMING FILTER FILTRE ANTIPARASITES FILTRO DE PROTECCION ANTIDISTURBO
FU	FUSIBILE FUSIBLE FUSIBLE
KA	RELE RELAY RELAS RELE
KA1	RELE RELAY RELAS RELE
KA2	RELE RELAY RELAS RELE
KA3	RELE RELAY RELAS RELE
MP	MOTORE POMPA OIL PUMP MOTOR MOTOR BOMBA MOTOR BOMBA
MV	MOTORE VENTILATORE MULTI-RELAY VENTILATOR MOTOR VENTILADOR
RP	RESISTENZA POMPA PUMP RESISTOR RESISTENCIA POMPE RESISTENCIA BOMBA
TV	TRASFORMATORE IGNITION TRANSFORMER TRANSFORMADOR DE ENCENDIDO
UV	FOTOCELLA IN CELL CELLULE UV FOTOCELULA
RA	RESISTENZA AUSILIARIA AUXILIARY RESISTOR RESISTENCIA AUXILIARE RESISTENCIA AUXILIARIA
FMP	RELE TERMICO MOTORE POMPA MOTOR PUMP THERMAL RELAY RELE TERMICO MOTOR BOMBA RELE TERMICO MOTOR BOMBA
FMV	RELE TERMICO MOTORE VENTILATORE MOTOR THERMAL RELAY VENTILADOR RELE TERMICO MOTEUR VENTILATEUR
Hgas	LAMPADA GAS GAS LAMP LAMP DE 1ª ALLURE ESPALE 1ª LLAMA
HLnafa	LAMPADA NAFTA NAFTA LAMP LAMP DE 2ª ALLURE ESPALE 2ª LLAMA
HLB	LAMPADA DI BLOCCO LOCK-OUT LAMP LAMPE DE SECURITE ESPALE DE BLOQUEO

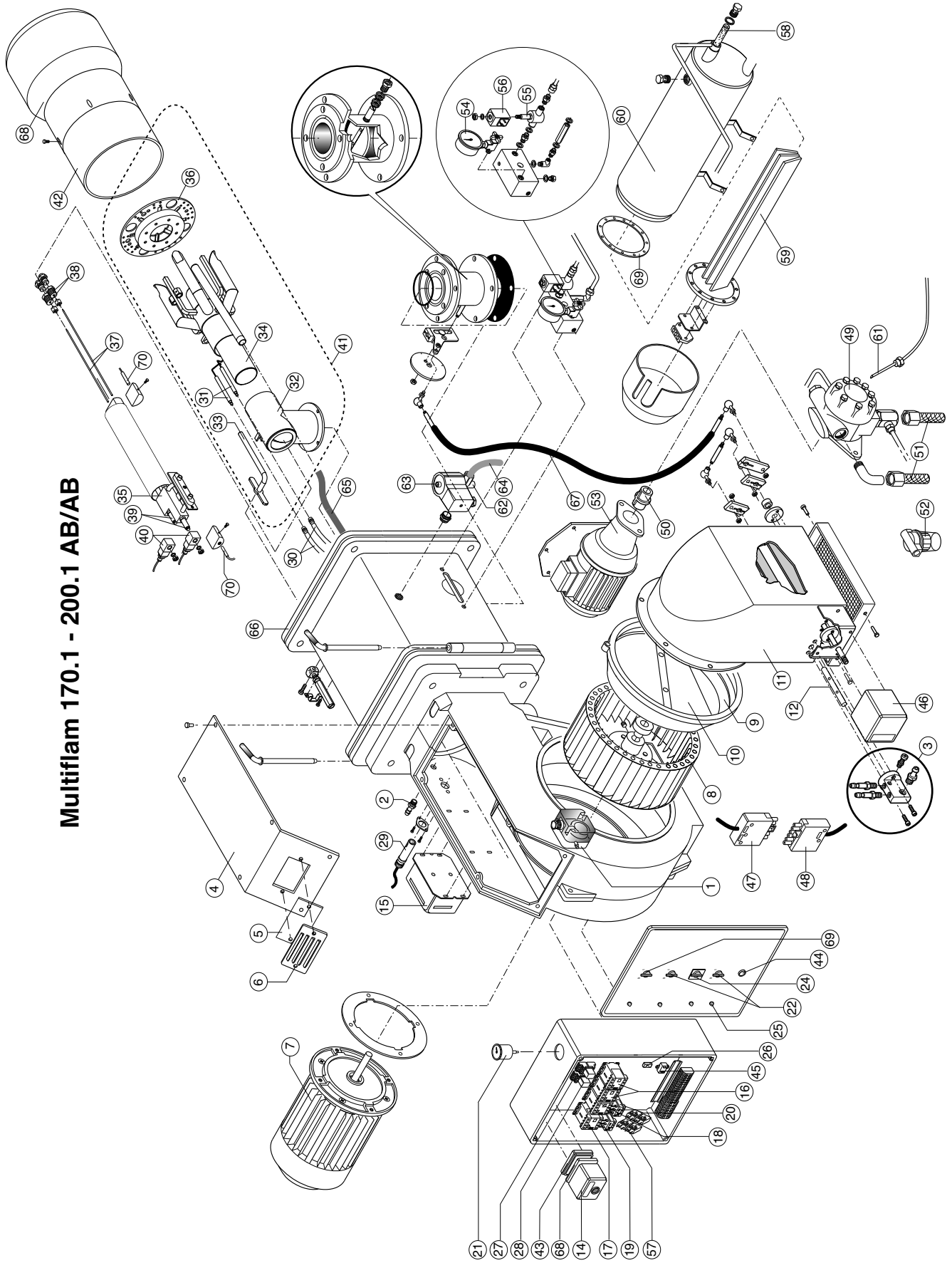
CONTROL BOX	SERVIMOTOR	DESCRIPTION	DESIGNER	SIGNATURE	SHEET
LANDIS LGR22-LME22	LANDIS SON30.151A2700	MULTIFLAM 170.1-200.1 AB/AB	A. ZOZZORON	A. ZoZZORON	2
LEAKAGE CONTROL	FLAME SENSOR	RBA10P0C066	CONTROLLER	DATE FIRST CREATION	TOT. SHEET
DUNGS VPS504	UV	RBA10P0C066	A. RIGONI	19-05-2010	2
		ECN MODIFICATION	MODIFICATION DESCRIPTION	DATE ECN MODIFICATION	
		RBA10P5527		02-09-2010	

Ecoflam Bruciatori

S.p.A

R&D DEPARTMENT

Multiflam 170.1 - 200.1 AB/AB



N°	DESCRIPCION		Multiflam 170.1	Multiflam 200.1
			code	code
1	AIR PRESSURE SWITCH	dungs lgw10 a2p	65323047	65323047
2	PRESSURE GAUGE		65321341	65321341
3	AIR INTAKE SET		65322346	65322346
4	COVER		65320676	65320676
5	GLASS		65320487	65320487
6	PEED WINDOM FRAME		65320488	65320488
7	MOTOR	3000 w	65322831	-
		4000 w	-	65322820
8	FAN	280 x 140	65321798	65321798
9	AIR CONVEYOR		65320643	65320643
10	FAN SCOOP		-	65320626
11	AIR INTAKE		65320555	65320555
12	AIR INTAKE PIPE		65321230	65321230
13	CONTROL BOX BASE	landis	65320092	65320092
14	CONTROL BOX	LANDIS LGB22.330A2EM	65320034	65320034
15	IGNITION TRANSFORMER	Brahma T8 13000/35	65323222	65323222
16	REMOTE CONTROL SWITCH	AEG LS4K.10	65323133	65323133
		AEG LS11K.00	65323135	-
17	REMOTE CONTROL SWITCH	BF16.10	-	65323131
18	REMOTE CONTROL SWITCH (PUMP)	AEG LS05.10	65323132	65323132
19	MOTOR THERMAL RELAY	AEG 5,5-8,5A	65323113	-
		AEG 8-12,5A	-	65323119
20	MOTOR THERMAL RELAY (PUMP)	AEG 2,2-3,2A	65323122	65323122
21	THERMOMETER	IMIT sc.0-200	65323093	65323093
22	SELECTOR	Comepi ECX 1370	65324099	65324099
23	MAIN SWITCH	cod.40100I1509	65324639	65324639
24	SELECTOR	GIOVENZANA a.C01600	65323063	65323063
25	LAMP	LYVIA 10x28 BA9S	65324421	65324421
26	FUSE SUPPORT	HK 520 04-1 10A	65324279	65324279
27	RELAY BASE	Finder 5532	65323149	65323149
		Finder 5534	65323150	65323150
28	RELAY	Finder 5532	65323139	65323139
		Finder 5534	65323140	65323140
29	UV CELL	LANDIS QRA	65320075	65320075
30	IGNITION CABLE	TC	65320945	65320945
		TL	65320947	65320947
31	IGNITION ELECTRODES SET		65322165	65322165
32	PIPE	TC	65324640	65324640
		TL	65324641	65324641
33	ROD	TC	65324642	65324642
		TL	65324643	65324643
34	FIRING HEAD GAS	TC	65324644	65324644
		TL	65324645	65324645
35	FIRING HEAD HEAVY OIL	TC	65324646	65324646
		TL	65324647	65324647
36	FRONT DISC		65324648	65324648
37	ROD NOZZLE HOLDER	TC	65322360	65322360
		TL	65322361	65322361
38	NOZZLE HOLDER		65321683	65321683
39	OIL VALVE	PARKER SCEM 120.8 JB 18	65323629	65323629
40	COIL	parker	65323781	65323781

TC = SHORT HEAD TL = LONG HEAD

41	INNER ASSEMBLY			
42	BLAST TUBE	TC	65320447	65320448
		TL	65320448	65320448
43	ADAPTER	LANDIS AGQ1.1A27 X LGB	65322038	65322038
44	RESET KEY	COMEPI art.ECX1	65324101	65324101
45	ANTIJAMMING FILTER		65323170	65323170
46	AIR DAMPER MOTOR	landis SQN30.151A2700	65322897	65322897
47	WIELAND PLUG	6 pin	65322072	65322072
48	WIELAND SOCKET	6 pin	65322073	65322073
49	OIL PUMP	SUNTEC E 6NC 1069	65322955	65322955
50	COUPLING		65322919	65322919
51	HOSES	TN 25X1500	65323180	65323180
		TN 25X1500 C/T	65323181	65323181
52	OIL FILTER	70501/03	3142087	3142087
53	PUMP MOTOR	simel 740 w	65322832	65322832
54	MANOMETER		S5324105	S5324105
55	OIL VALVE	PARKER SCEM 120.8AR JB 18	65323628	65323628
56	COIL	parker	65323781	65323781
57	THERMOSTAT	IMIT TR2 40/200	65323147	65323147
58	FILTER		65321171	65321171
59	HEATER	9000 W	65323085	-
		10500 W	-	65323087
60	OIL TANK		65324649	65324649
61	HEATING ELEMENT PUMP	50 W	65323072	65323072
62	PILOT GAS VALVE	BRAHMA EG12SR	65323595	65323595
63	COIL	BRAHMA EG12SR	65323707	65323707
64	GAS PIPE	EMISUPER	65324650	65324650
65	GAS PIPE	EMICASA	65323201	65323201
66	GASKET		65321127	65321127
67	CABLE			
68	BLAST TUBE END		65320449	65320449
69	OIL TANK GASKET		65321155	65321155
70	HEATING ELEMENT	30 W	65324207	65324207

TC = SHORT HEAD TL = LONG HEAD

ES

N°	DESCRIPCION		Multiflam 170.1	Multiflam 200.1
			code	code
1	PRESÓSTATO AIRE	dungs lgw10 a2p	65323047	65323047
2	PRESSURE GAUGE		65321341	65321341
3	COJUNTO TOMAS DE AIRE		65322346	65322346
4	TAPA DEL QUEMADOR		65320676	65320676
5	VIDRIOS		65320487	65320487
6	SOPORTE VIDRIOS		65320488	65320488
7	MOTOR	3000 w	65322831	-
		4000 w	-	65322820
8	VENTILADOR	280 x 140	65321798	65321798
9	CONDUCTO DE AIRE		65320643	65320643
10	SUPRESOR		-	65320626
11	REJILLA DE PROTECCION		65320555	65320555
12	TUBO PARA REJILLA DE PROTECCION		65321230	65321230
13	BASE DEL EQUIPO	landis	65320092	65320092
14	EQUIPO CONTROL LLAMA	LANDIS LGB22.330A2EM	65320034	65320034
15	TRANSFORMADOR	Brahma T8 13000/35	65323222	65323222
16	EMPALME MOTOR	AEG LS4K.10	65323133	65323133
		AEG LS11K.00	65323135	-
17	EMPALME MOTOR	BF16.10	-	65323131
18	EMPALME MOTOR BOMBA	AEG LS05.10	65323132	65323132
19	TERMICO MOTOR	AEG 5,5-8,5A	65323113	-
		AEG 8-12,5A	-	65323119
20	TERMICO BOMBA	AEG 2,2-3,2A	65323122	65323122
21	TERMOMETRO	IMIT sc.0-200	65323093	65323093
22	CONMUTADOR	Comepi ECX 1370	65324099	65324099
23	INTERRUPTOR DE LINEA	cod.40100I1509	65324639	65324639
24	CONMUTADOR	GIOVENZANA a.C01600	65323063	65323063
25	ESPIA	LYVIA 10x28 BA9S	65324421	65324421
26	PORTAFUSIBLE	HK 520 04-1 10A	65324279	65324279
27	BASE DEL RELE'	Finder 5532	65323149	65323149
		Finder 5534	65323150	65323150
28	RELE'	Finder 5532	65323139	65323139
		Finder 5534	65323140	65323140
29	FOTOCELULA	LANDIS QRA	65320075	65320075
30	CABLE DE ENCENDIDO	TC	65320945	65320945
		TL	65320947	65320947
31	ELECTRODO		65322165	65322165
32	TUBO	TC	65324640	65324640
		TL	65324641	65324641
33	SOPORTE CABEZA DE COMBUSTION	TC	65324642	65324642
		TL	65324643	65324643
34	CABEZA DE COMBUSTION GAS	TC	65324644	65324644
		TL	65324645	65324645
35	CABEZA DE COMBUSTION FUEL PESADO	TC	65324646	65324646
		TL	65324647	65324647
36	DIFUSOR		65324648	65324648
37	ALFILER PORTACHICLER	TC	65322360	65322360
		TL	65322361	65322361
38	PORTACHICLER		65321683	65321683
39	VALVULA	PARKER SCEM 120.8 JB 18	65323629	65323629
40	BOBINA	parker	65323781	65323781

TC = CABEZA CORTA TL = CABEZA LARGA

41	GRUPO CABEZA DE COMBUSTION			
42	TUBO LLAMA	TC	65320447	65320447
		TL	65320448	65320448
43	ADACTADOR	LANDIS AGQ1.1A27 X LGB	65322038	65322038
44	BOTÓN DE REINICIO	COMPEPI art.ECX1	65324101	65324101
45	FILTRO ANTITRATORNO		65323170	65323170
46	MOTORREDUCTOR	landis SQN30.151A2700	65322897	65322897
47	ESPIA WIELAND	6 pin	65322072	65322072
48	TOMA WIELAND	6 pin	65322073	65322073
49	BOMBA	SUNTEC E 6NC 1069	65322955	65322955
50	ACOPLAMIENTO		65322919	65322919
51	LATIGUILLOS	TN 25X1500	65323180	65323180
		TN 25X1500 C/T	65323181	65323181
52	FILTRO	70501/03	3142087	3142087
53	MOTOR BOMBA	simel 740 w	65322832	65322832
54	MANOMETRO		65324105	65324105
55	VALVULA	PARKER SCEM 120.8AR JB 18	65323628	65323628
56	BOBINA	parker	65323781	65323781
57	TERMOSTATO	IMIT TR2 40/200	65323147	65323147
58	FILTRO		65321171	65321171
59	RESISTENCIAS	9000 W	65323085	-
		10500 W	-	65323087
60	PRECALENTADOR		65324649	65324649
61	RESISTENCIAS BOMBA	50 W	65323072	65323072
62	VALVULA GAS	BRAHMA EG12SR	65323595	65323595
63	BOBINA	BRAHMA EG12SR	65323707	65323707
64	TUBO GAS	EMISUPER	65324650	65324650
65	TUBO GAS	EMICASA	65323201	65323201
66	JUNTA ISOMART		65321127	65321127
67	CABLE			
68	TUBO LLAMA FINAL		65320449	65320449
69	JUNTA DE TANQUE		65321155	65321155
70	RESISTENCIAS	30 W	65324207	65324207

TC = CABEZA CORTA TL = CABEZA LARGA

RU

№	НАИМЕНОВАНИЕ		Multiflam 170.1	Multiflam 200.1
			code	code
1	РЕЛЕ ДАВЛЕНИЯ ВОЗДУХА	dungs lgw10 a2p	65323047	65323047
2	МАНОМЕТР		65321341	65321341
3	ВОЗДУХОЗАБОР В СБОРЕ		65322346	65322346
4	КРЫШКА ГОРЕЛКИ		65320676	65320676
5	СМОТРОВОЕ СТЕКЛО		65320487	65320487
6	РАМКА СМОТРОВОГО СТЕКЛА		65320488	65320488
7	ДВИГАТЕЛЬ	3000 w	65322831	-
		4000 w	-	65322820
8	ВЕНТИЛЯТОР	280 x 140	65321798	65321798
9	ВОЗДУХОВОД		65320643	65320643
10	ДЕФЛЕКТОР		-	65320626
11	КОЖУХ ВОЗДУХОЗАБОРА		65320555	65320555
12	ТРУБКА ДЛЯ КОЖУХА		65321230	65321230
13	МОНТАЖНАЯ ПЛАСТИНА БЛОКА УПРАВЛЕНИЯ	landis	65320092	65320092
14	БЛОК УПРАВЛЕНИЯ	LANDIS LGB22.330A2EM	65320034	65320034
15	ТРАНСФОРМАТОР РОЗЖИГА	Brahma T8 13000/35	65323222	65323222
16	ПУСКАТЕЛЬ	AEG LS4K.10	65323133	65323133
		AEG LS11K.00	65323135	-
17	ПУСКАТЕЛЬ	BF16.10	-	65323131
18	ДИСТАНЦИОННЫЙ ПУСКАТЕЛЬ (НАСОСА)	AEG LS05.10	65323132	65323132
19	ТЕПЛОЕ РЕЛЕ ДВИГАТЕЛЯ	AEG 5,5-8,5A	65323113	-
		AEG 8-12,5A	-	65323119
20	ТЕПЛОЕ РЕЛЕ ДВИГАТЕЛЯ (НАСОСА)	AEG 2,2-3,2A	65323122	65323122
		AEG 1,7-2,4A	65323115	
21	ТЕРМОМЕТР	IMIT sc.0-200	65323093	65323093
22	ПЕРЕКЛЮЧАТЕЛЬ	Comepi ECX 1370	65324099	65324099
23	РАБОЧИЙ ВЫКЛЮЧАТЕЛЬ	cod.40100P1509	65324639	65324639
24	ПЕРЕКЛЮЧАТЕЛЬ	GIOVENZANA a.C01600	65323063	65323063
25	ИНДИКАТОРНАЯ ЛАМПОЧКА	LYVIA 10x28 BA9S	65324421	65324421
26	ГНЕЗДО ПЛАВКОГО ПРЕДОХРАНИТЕЛЯ	HK 520 04-1 10A	65324279	65324279
27	МОНТАЖНАЯ ПЛАСТИНА РЕЛЕ	Finder 5532	65323149	65323149
		Finder 5534	65323150	65323150
28	РЕЛЕ FINDER	Finder 5532	65323139	65323139
		Finder 5534	65323140	65323140
29	ФОТОЭЛЕМЕНТ	LANDIS QRA	65320075	65320075
30	ПРОВОД РОЗЖИГА	TC	65320945	65320945
		TL	65320947	65320947
31	ЭЛЕКТРОДЫ РОЗЖИГА		65322165	65322165
32	КРЕПЕЖНАЯ ТРУБКА ОГНЕВОЙ ГОЛОВКИ	TC	65324640	65324640
		TL	65324641	65324641
33	РЕГУЛИРОВОЧНЫЙ ШТОК ГОРЕЛКИ	TC	65324642	65324642
		TL	65324643	65324643
34	ОГНЕВАЯ ГОЛОВКА ДЛЯ ГАЗА	TC	65324644	65324644
		TL	65324645	65324645
35	ОГНЕВАЯ ГОЛОВКА ДЛЯ МАЗУТА	TC	65324646	65324646
		TL	65324647	65324647
36	РАССЕКATEЛЬ		65324648	65324648
37	ШТОК ДЕРЖАТЕЛЯ ФОРСУНКИ	TC	65322360	65322360
		TL	65322361	65322361
38	ДЕРЖАТЕЛЬ ФОРСУНОК		65321683	65321683
39	ТОПЛИВНЫЙ КЛАПАН	PARKER SCEM 120.8 JB 18	65323629	65323629
40	КАТУШКА	parker	65323781	65323781

TC = КОРОТКАЯ ОГНЕВАЯ ГОЛОВКА TL = ДЛИННАЯ ОГНЕВАЯ ГОЛОВКА

41	ОГНЕВАЯ ГОЛОВКА В СБОРЕ			
42	СТАКАН	TC	65320447	65320447
		TL	65320448	65320448
43	АДАПТОР	LANDIS AGQ1.1A27 X LGB	65322038	65322038
44	КЛЮЧ ВОЗВРАТА	COMEPI art.ECX1	65324101	65324101
45	ФИЛЬТР ПОДАВЛЕНИЯ ПОМЕХ		65323170	65323170
46	ПРИВОД ВОЗДУШНОЙ ЗАСЛОНКИ	landis SQN30.151A2700	65322897	65322897
47	ВИЛКА WIELAND	6 pin	65322072	65322072
48	РАЗЪЕМ WIELAND	6 pin	65322073	65322073
49	ТОПЛИВНЫЙ НАСОС	SUNTEC E 6NC 1069	65322955	65322955
50	МУФТА		65322919	65322919
51	ГИБКИЕ ШЛАНГИ	TN 25X1500	65323180	65323180
		TN 25X1500 C/T	65323181	65323181
52	ТОПЛИВНЫЙ ФИЛЬТР	70501/03	3142087	3142087
53	ДВИГАТЕЛЬ НАСОСА	simel 740 w	65322832	65322832
54	МАНОМЕТР		S5324105	S5324105
55	ТОПЛИВНЫЙ КЛАПАН	PARKER SCEM 120.8AR JB 18	65323628	65323628
56	КАТУШКА	parker	65323781	65323781
57	ТЕРМОСТАТ	IMIT TR2 40/200	65323147	65323147
58	ФИЛЬТР		65321171	65321171
59	ЗМЕЕВИК НАГРЕВАТЕЛЬНЫЙ	9000 W	65323085	-
		10500 W	-	65323087
60	ТОПЛИВНЫЙ БАЧОК		65324649	65324649
61	НАГРЕВАТЕЛЬНЫЙ ЭЛЕМЕНТ НАСОСА	50 W	65323072	65323072
62	ГАЗОВЫЙ КЛАПАН ЗАПАЛЬНИКА	BRAHMA EG12SR	65323595	65323595
63	КАТУШКА	BRAHMA EG12SR	65323707	65323707
64	ТРУБА ГАЗА	EMISUPER	65324650	65324650
65	ТРУБА ГАЗА	EMICASA	65323201	65323201
66	ФЛАНЕЦ		65321127	65321127
67	КАБЕЛЬ			
68	ОГОЛОВОК СТАКАНА		65320449	65320449
69	ПРОКЛАДКА БАЧОК - ПОДОГРЕВАТЕЛЬ		65321155	65321155
70	НАГРЕВАТЕЛЬНЫЙ ЭЛЕМЕНТ	30 W	65324207	65324207

TC = КОРОТКАЯ ОГНЕВАЯ ГОЛОВКА TL = ДЛИННАЯ ОГНЕВАЯ ГОЛОВКА

La ECOFLAM BRUCIATORI S.p.A si riserva il diritto di apportare ai prodotti quelle modifiche che riterrà necessarie o utili, senza pregiudicarne le caratteristiche principali.

ECOFLAM BRUCIATORI S.p.A. reserves the right to make any adjustments, without prior notice, which it considers necessary or useful to its products, without affecting their main features.

La Maison ECOFLAM BRUCIATORI S.p.A. se réserve le droit d'apporter les modifications qu'elle jugera nécessaires ou utiles à ses produits sans pour autant nuire à leurs caractéristiques principales.

ECOFLAM BRUCIATORI S.p.A. se reserva el derecho a introducir en sus productos todas las modificaciones que considere necesarias o utiles, sin perjudicar sus características.

“Экофлам С.п.А.” оставляет за собой право вносить в конструкцию оборудования любые необходимые изменения без особого предупреждения.

Ecoflam

Ecoflam Bruciatori S.p.A.

via Roma, 64 - 31023 RESANA (TV) - Italy - tel. 0423.719500 - fax 0423.719580

<http://www.ecoflam-burners.com> - e-mail: export@ecoflam-burners.com

"società soggetta alla direzione e al coordinamento della Ariston Thermo S.p.A., via A. Merloni, 45 - 60044 Fabriano (An) CF 01026940427"